



US00D647600S

(12) **United States Design Patent**
Liao

(10) **Patent No.:** **US D647,600 S**

(45) **Date of Patent:** **** Oct. 25, 2011**

(54) **FAUCET**

(75) **Inventor:** **Vincent Liao**, Guangdong (CN)

(73) **Assignee:** **Masco Corporation of Indiana**,
Indianapolis, IN (US)

(**) **Term:** **14 Years**

(21) **Appl. No.:** **29/387,345**

(22) **Filed:** **Mar. 11, 2011**

(51) **LOC (9) Cl.** **02-01**

(52) **U.S. Cl.** **D23/242**

(58) **Field of Classification Search** D23/255,

D23/257, 238-243; 4/678; 137/801

See application file for complete search history.

(56) **References Cited**

U.S. PATENT DOCUMENTS

D581,023 S * 11/2008 Citterio D23/252

D601,683 S * 10/2009 Schoenherr et al. D23/328

D605,256 S * 12/2009 Flowers et al. D23/238

D607,542 S * 1/2010 Flowers et al. D23/252

D636,066 S * 4/2011 Schoenherr et al. D23/255

* cited by examiner

Primary Examiner — Robert Delehanty

(74) *Attorney, Agent, or Firm* — Edgar A. Zarins; Nirav D. Parikh

(57) **CLAIM**

The ornamental design for a faucet, as shown and described.

DESCRIPTION

FIG. 1 is a perspective view of a faucet showing my new design;

FIG. 2 is a top plan view thereof;

FIG. 3 is a right side view thereof;

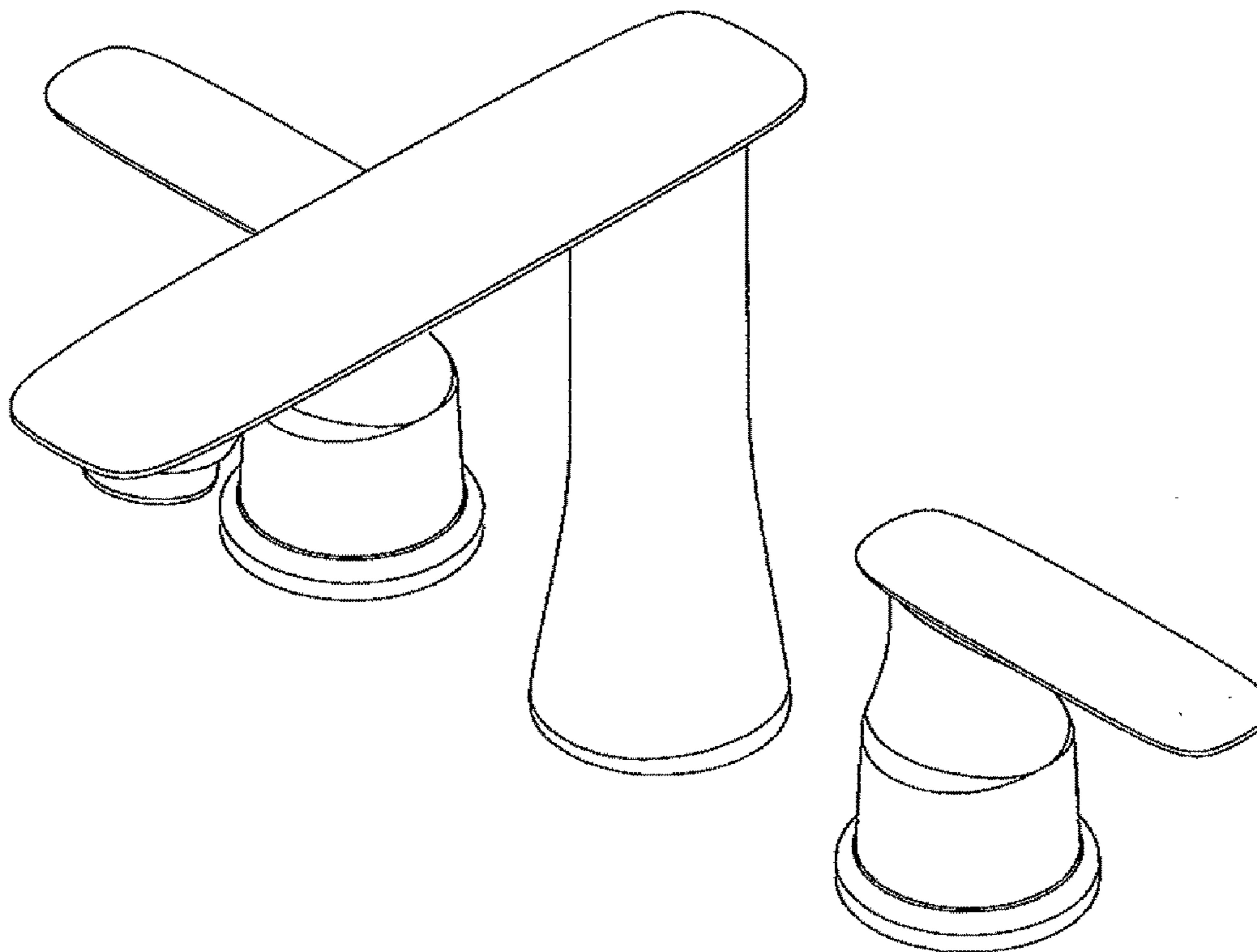
FIG. 4 is a left side view thereof;

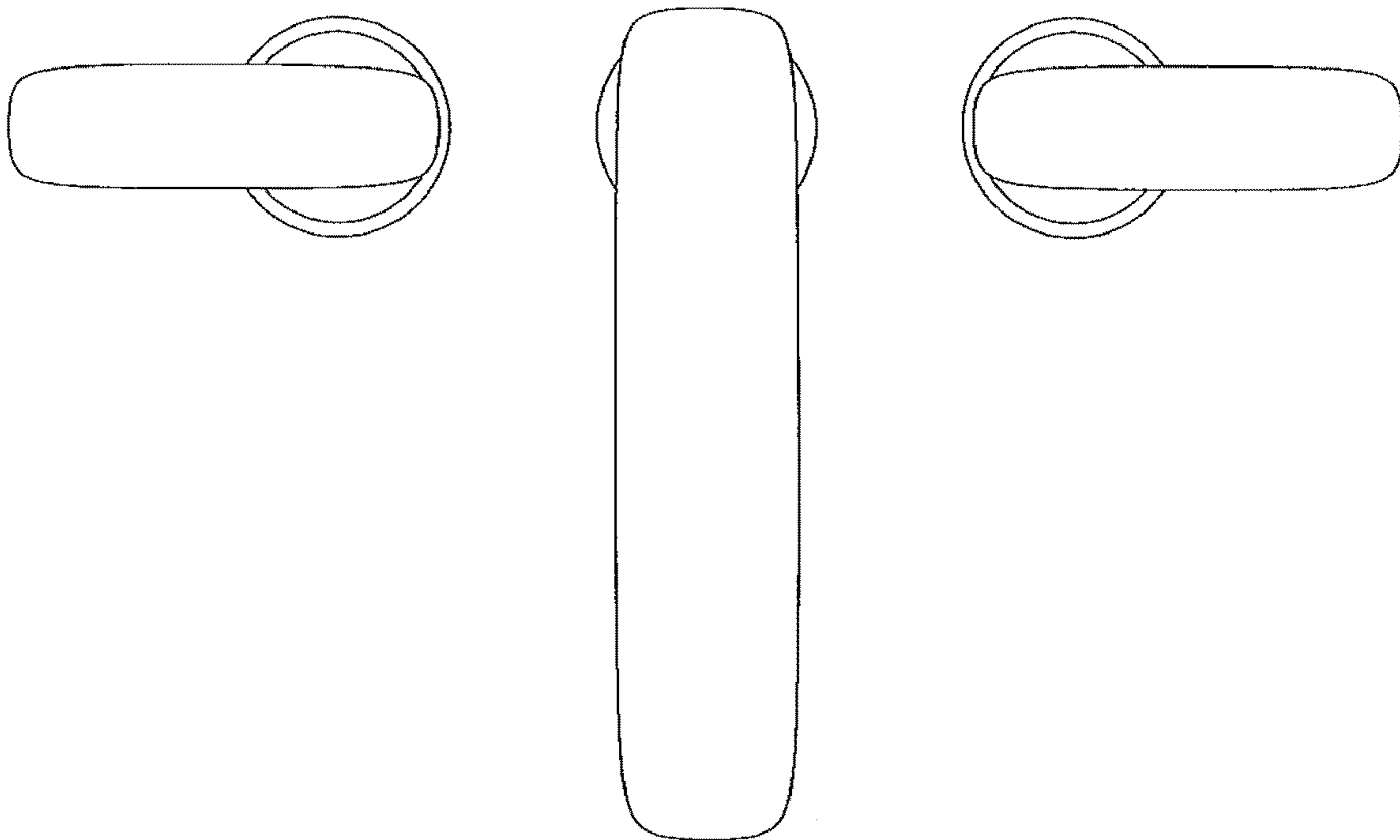
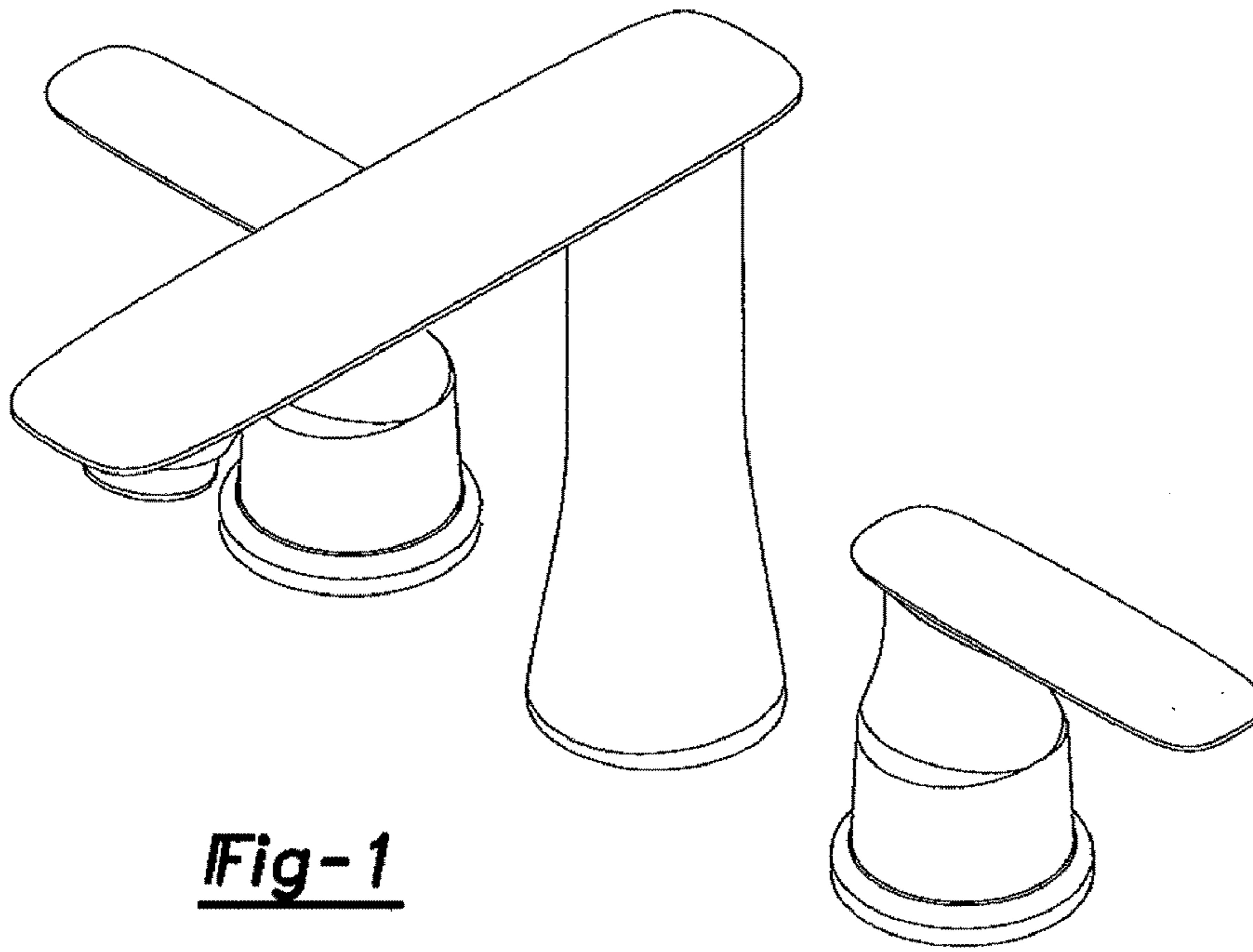
FIG. 5 is a rear view thereof; and,

FIG. 6 is a front elevational view thereof.

The broken line showing environmental structure is included for the purpose of illustrating a portion of the claim that forms no part of the claimed design.

1 Claim, 3 Drawing Sheets





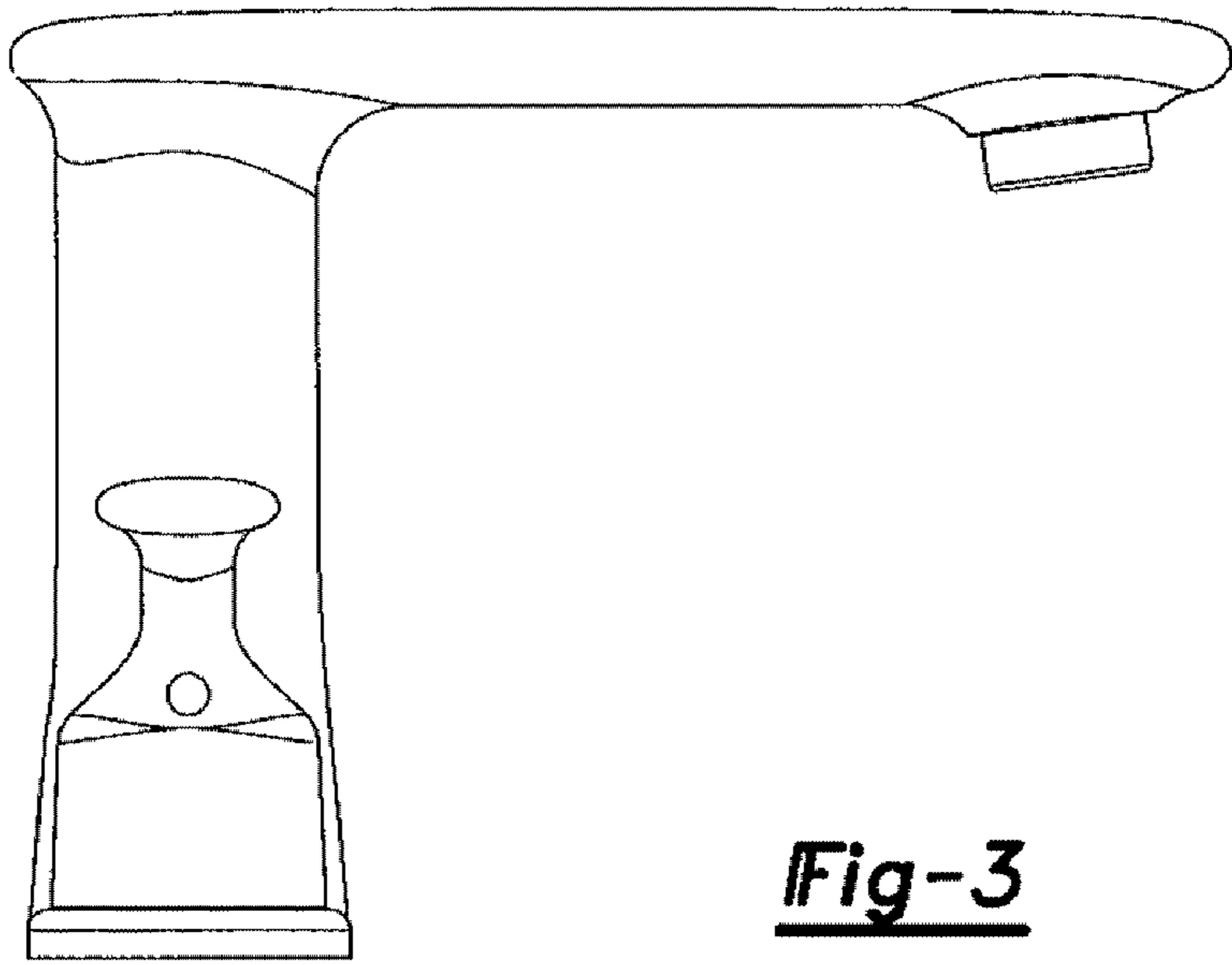


Fig-3

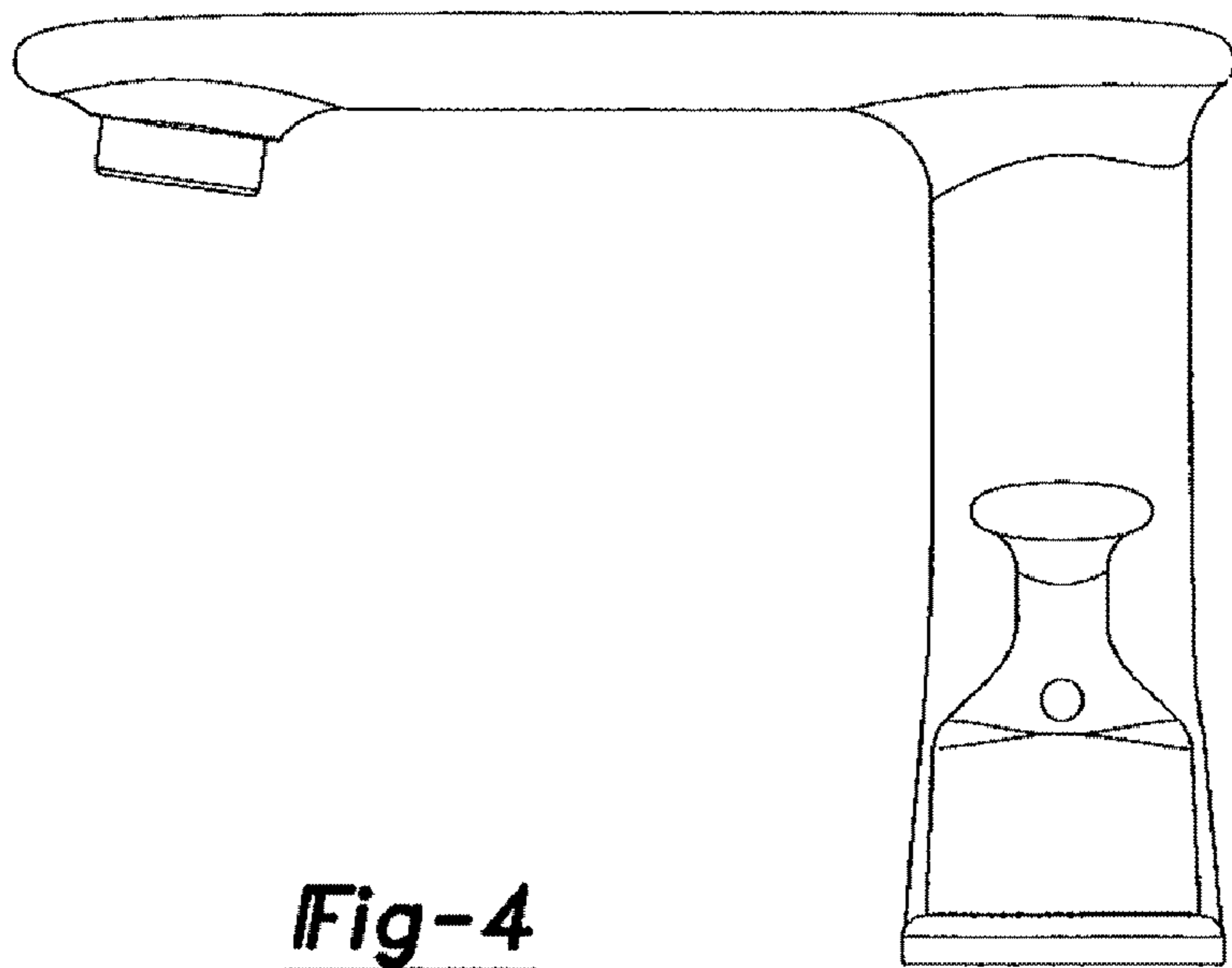


Fig-4

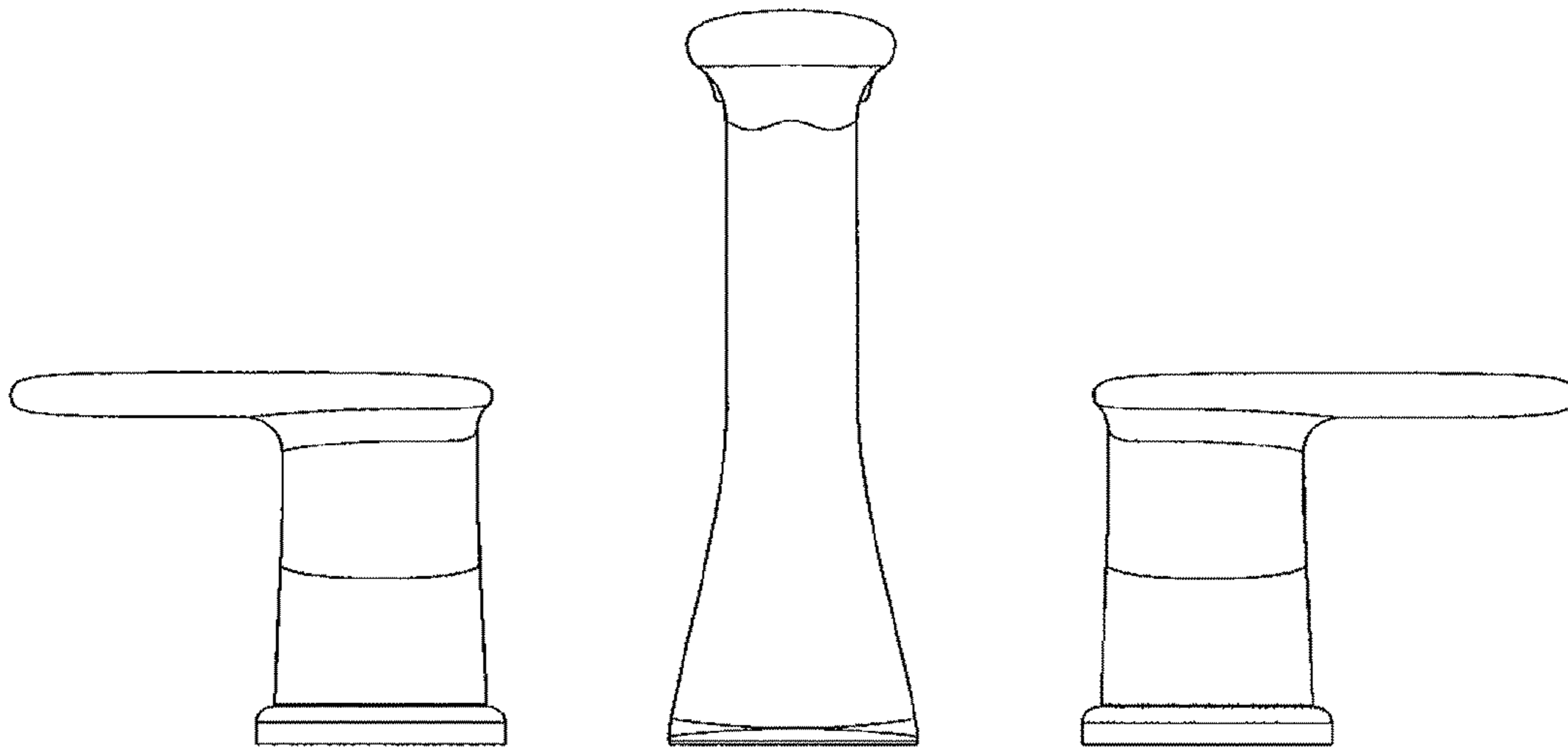


Fig-5

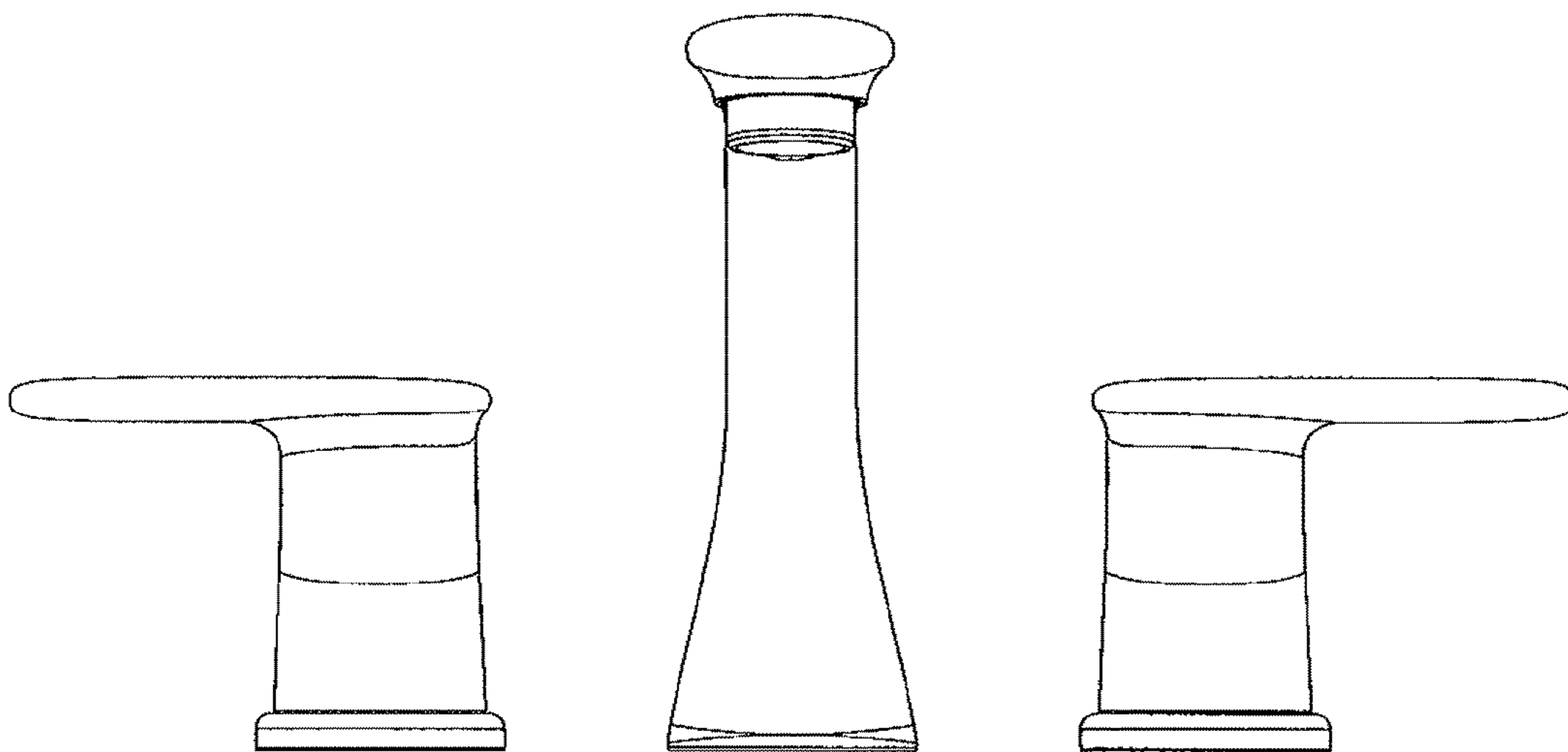


Fig-6