



US00D647599S

(12) **United States Design Patent**  
**Liao**

(10) **Patent No.:** **US D647,599 S**

(45) **Date of Patent:** **\*\* Oct. 25, 2011**

(54) **FAUCET**

(75) Inventor: **Vincent Liao**, Guang dong (CN)

(73) Assignee: **Masco Corporation of Indiana**,  
Indianapolis, IN (US)

(\*\*) Term: **14 Years**

(21) Appl. No.: **29/387,341**

(22) Filed: **Mar. 11, 2011**

(51) **LOC (9) Cl.** ..... **02-01**

(52) **U.S. Cl.** ..... **D23/238**

(58) **Field of Classification Search** ..... D23/250,  
D23/252, 25, 238-243; 4/678; 137/801

See application file for complete search history.

(56) **References Cited**

**U.S. PATENT DOCUMENTS**

D408,502 S \* 4/1999 Lobermeier ..... D23/238  
D581,023 S \* 11/2008 Citterio ..... D23/252  
D605,256 S \* 12/2009 Flowers et al. .... D23/238

D607,542 S \* 1/2010 Flowers et al. .... D23/252  
\* cited by examiner

*Primary Examiner* — Robert Delehanty

(74) *Attorney, Agent, or Firm* — Nirav D. Parikh; Edgar A.  
Zarins

(57) **CLAIM**

The ornamental design for a faucet, as shown and described.

**DESCRIPTION**

FIG. 1 is a perspective view of a faucet showing my new design;

FIG. 2 is a front elevational view thereof;

FIG. 3 is a top plan view thereof;

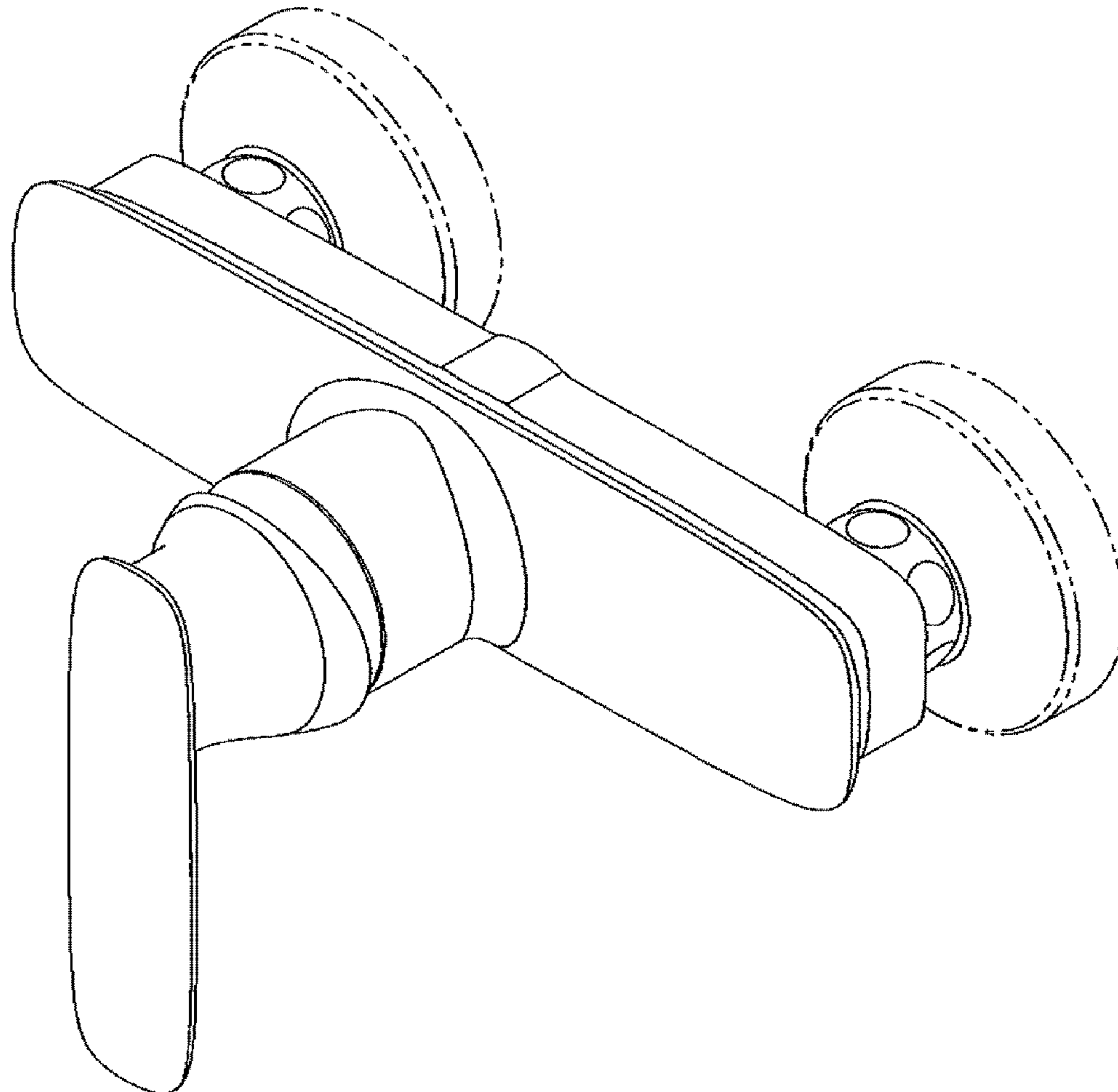
FIG. 4 is a bottom view thereof;

FIG. 5 is a right side view thereof; and,

FIG. 6 is a left side view thereof.

The broken line showing environmental structure is included for the purpose of illustrating a portion of the claim that forms no part of the claimed design.

**1 Claim, 3 Drawing Sheets**



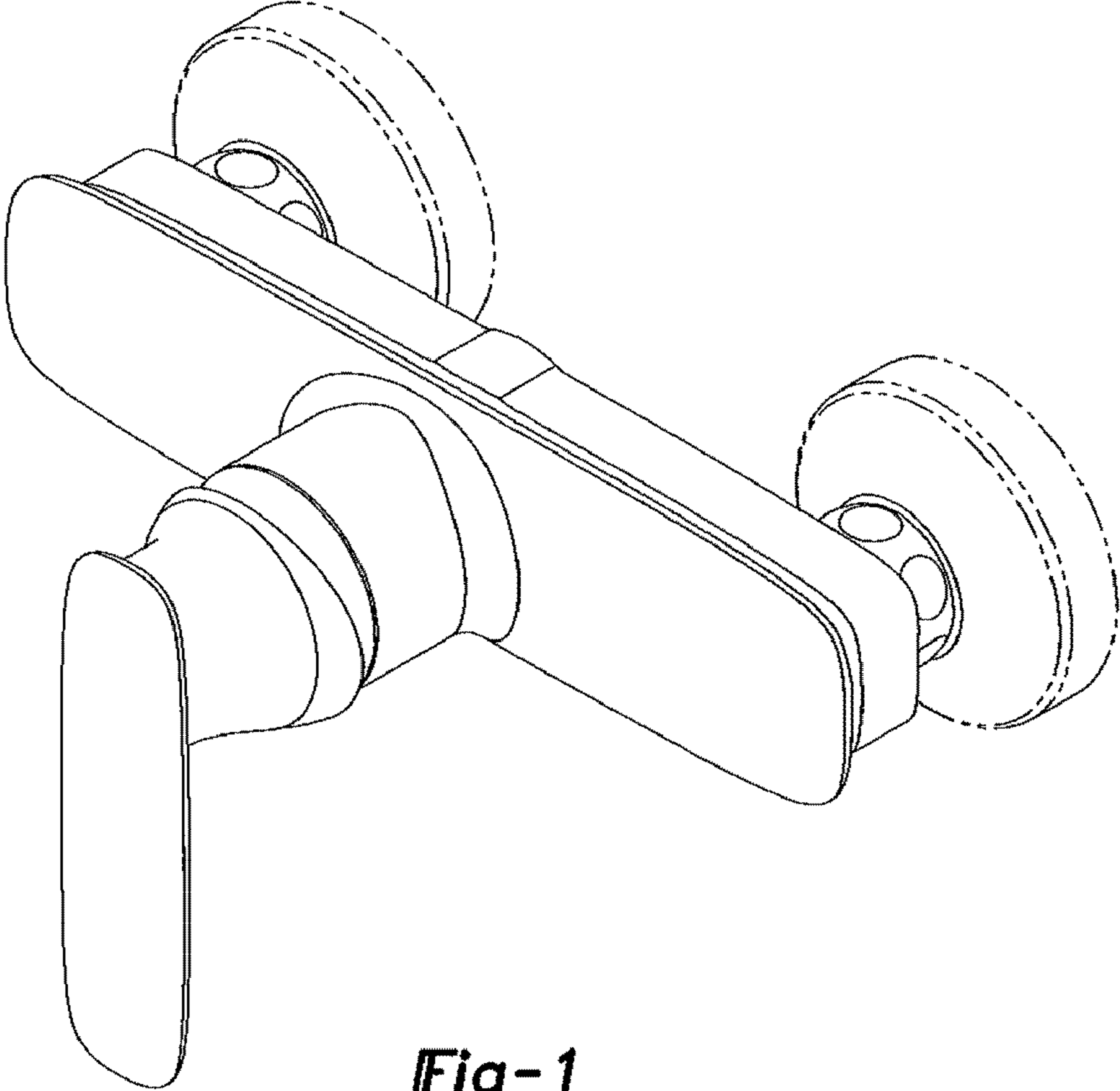


Fig-1

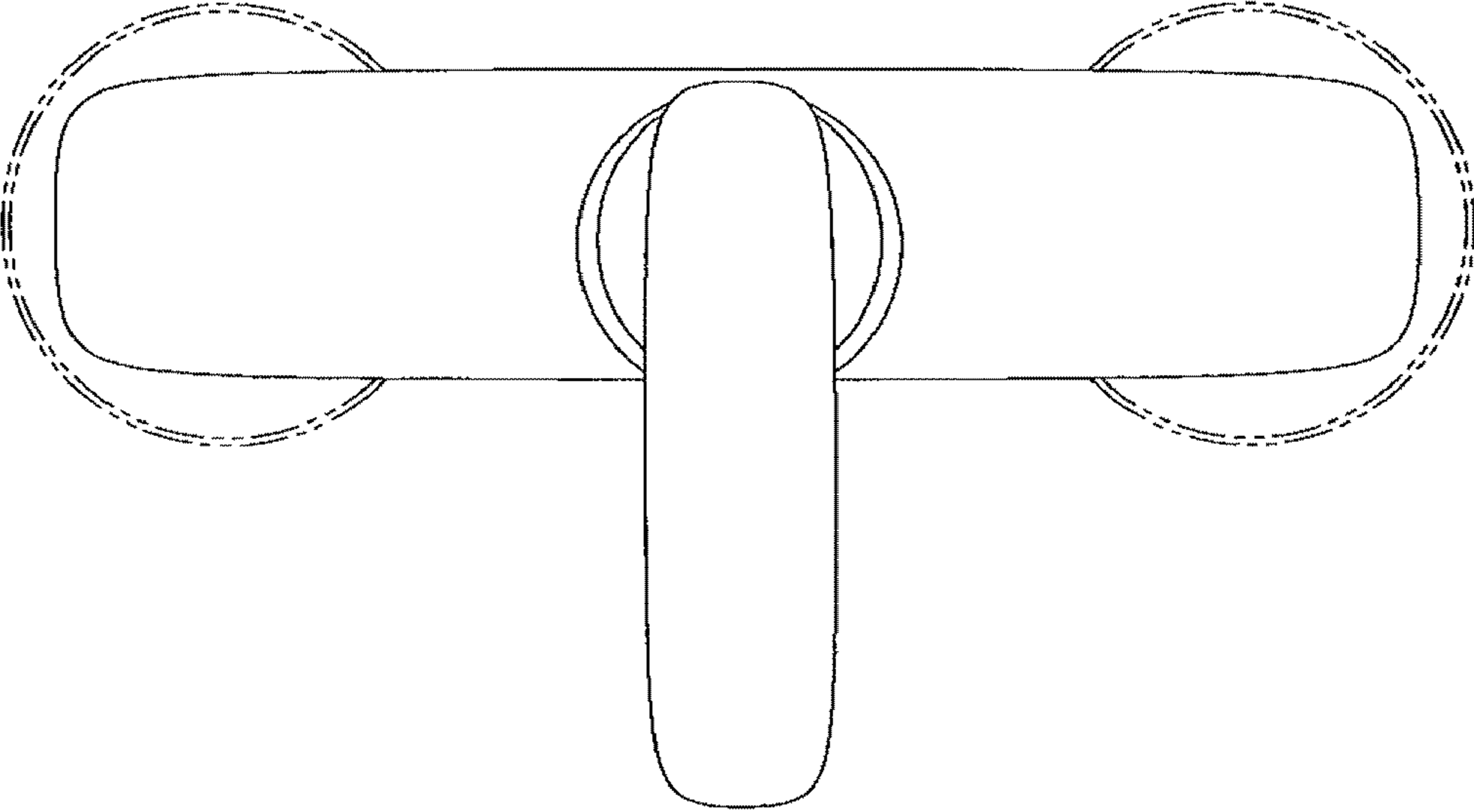


Fig-2

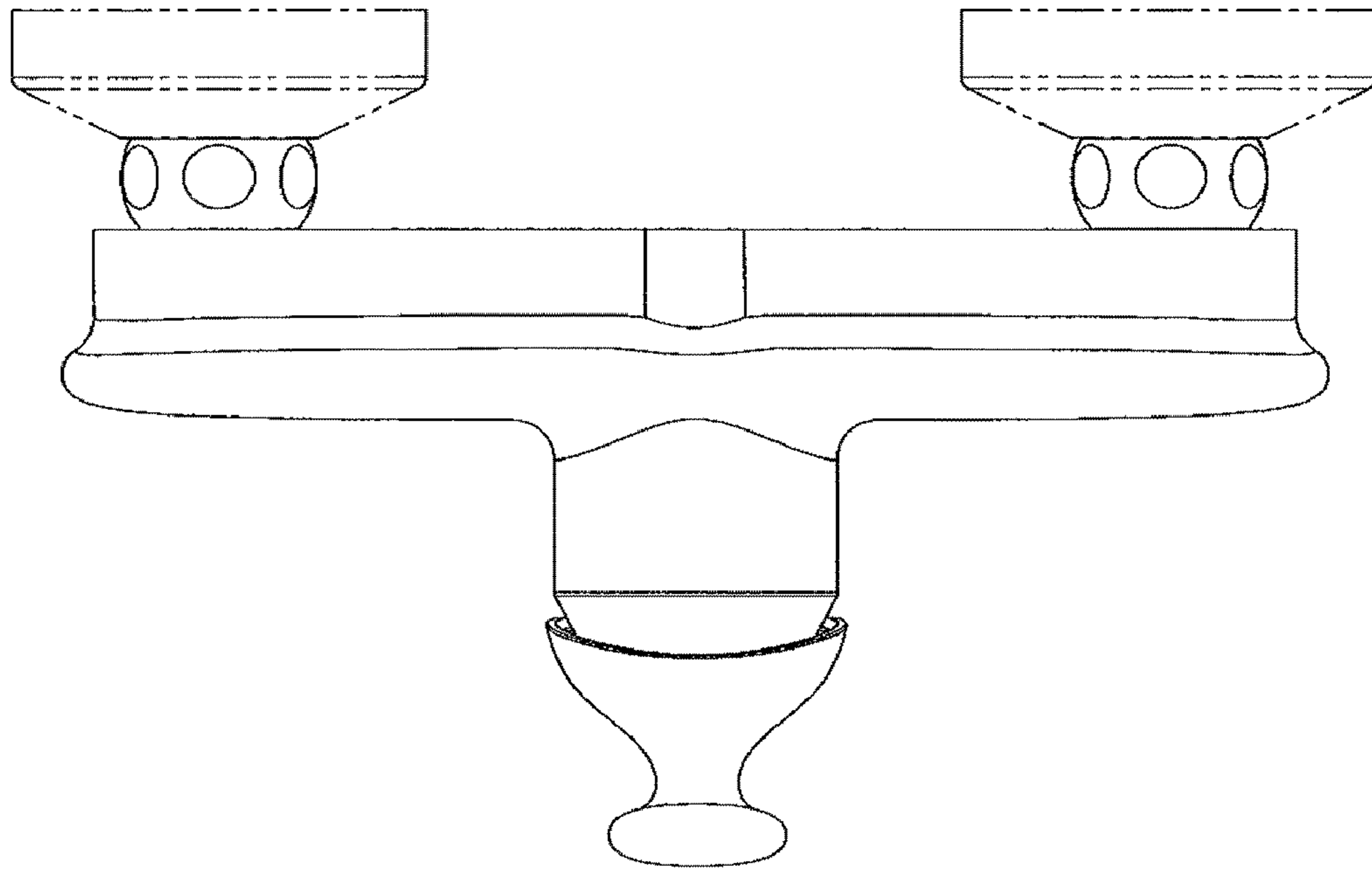


Fig-3

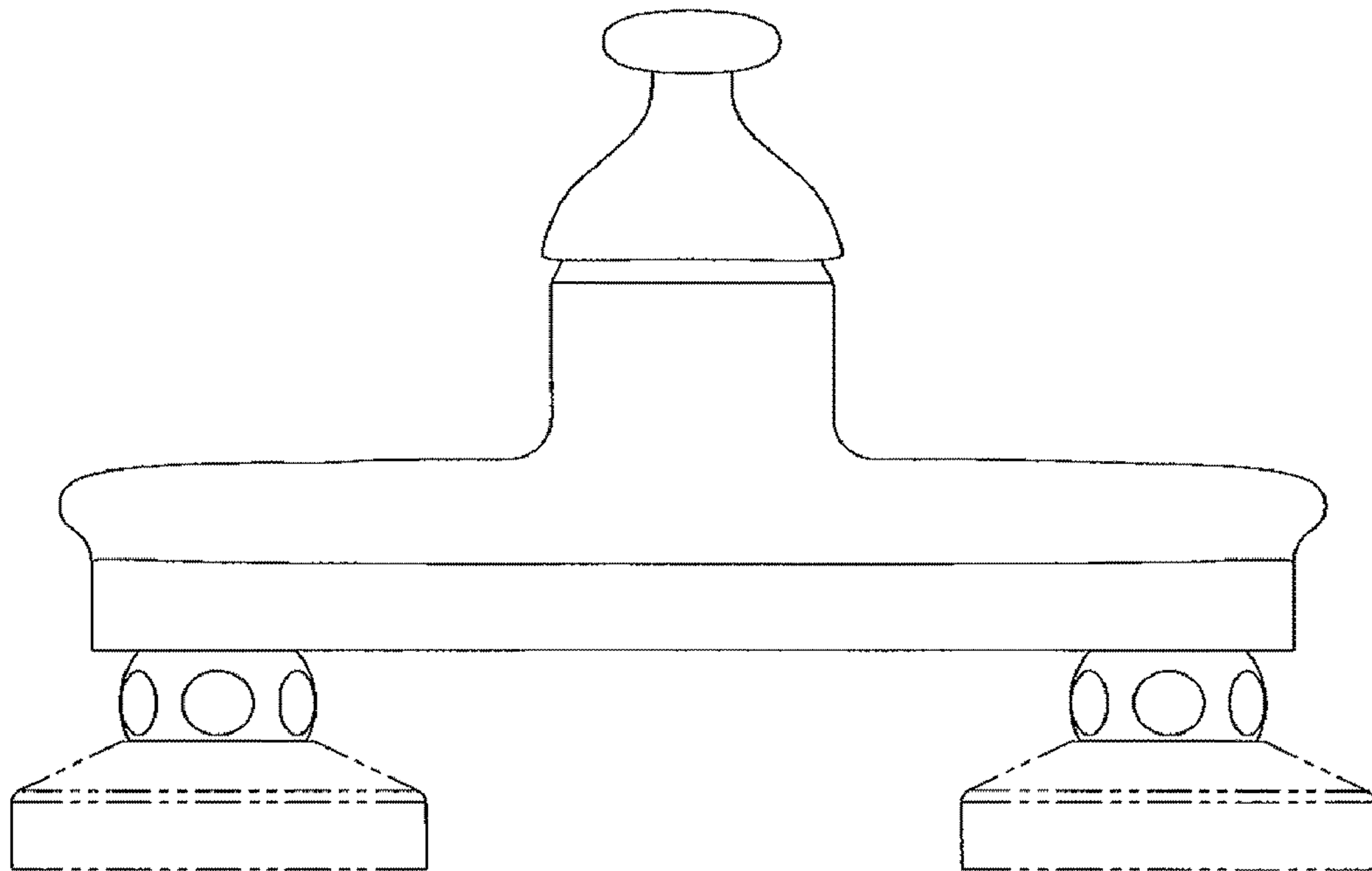


Fig-4

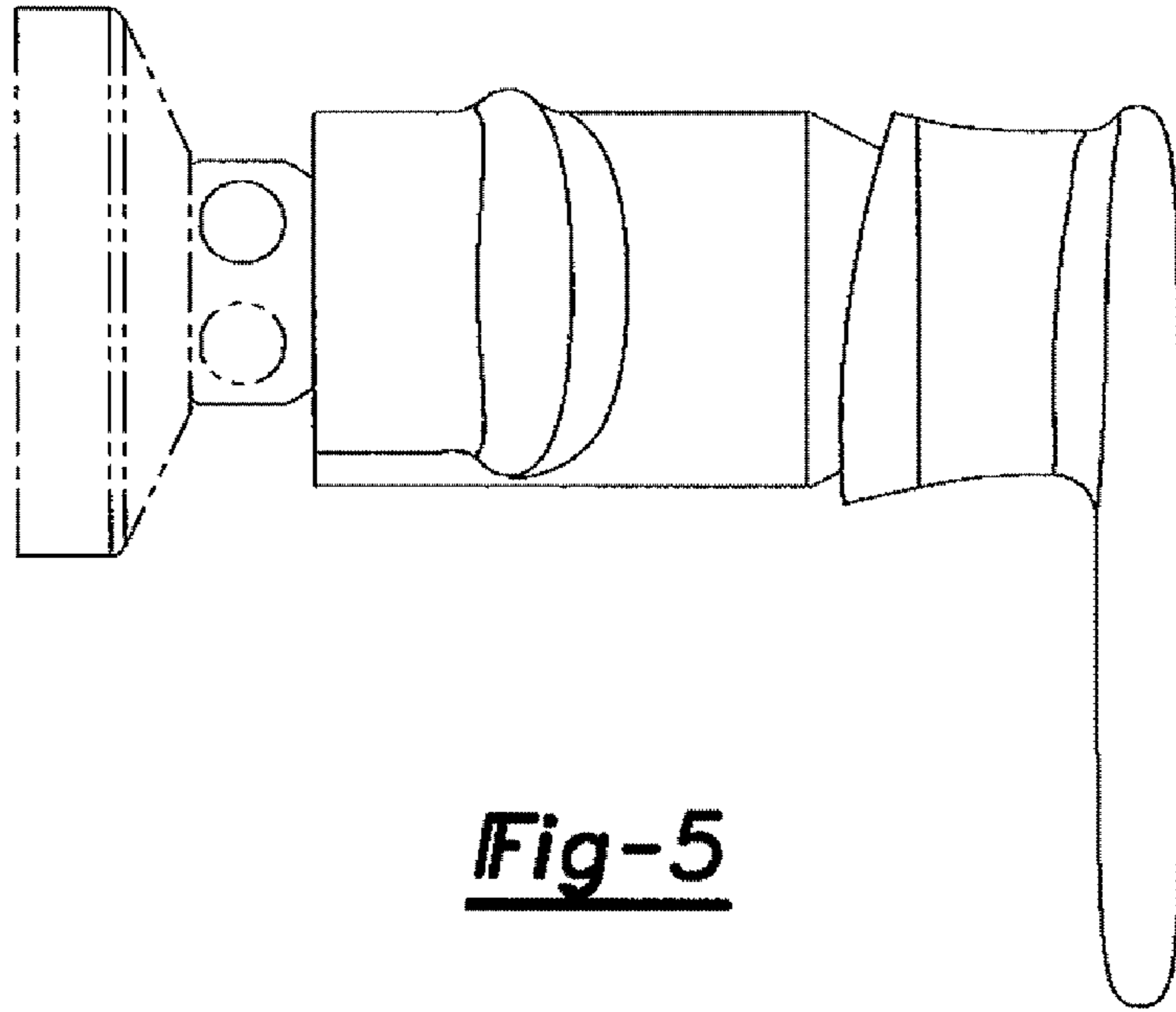


Fig-5

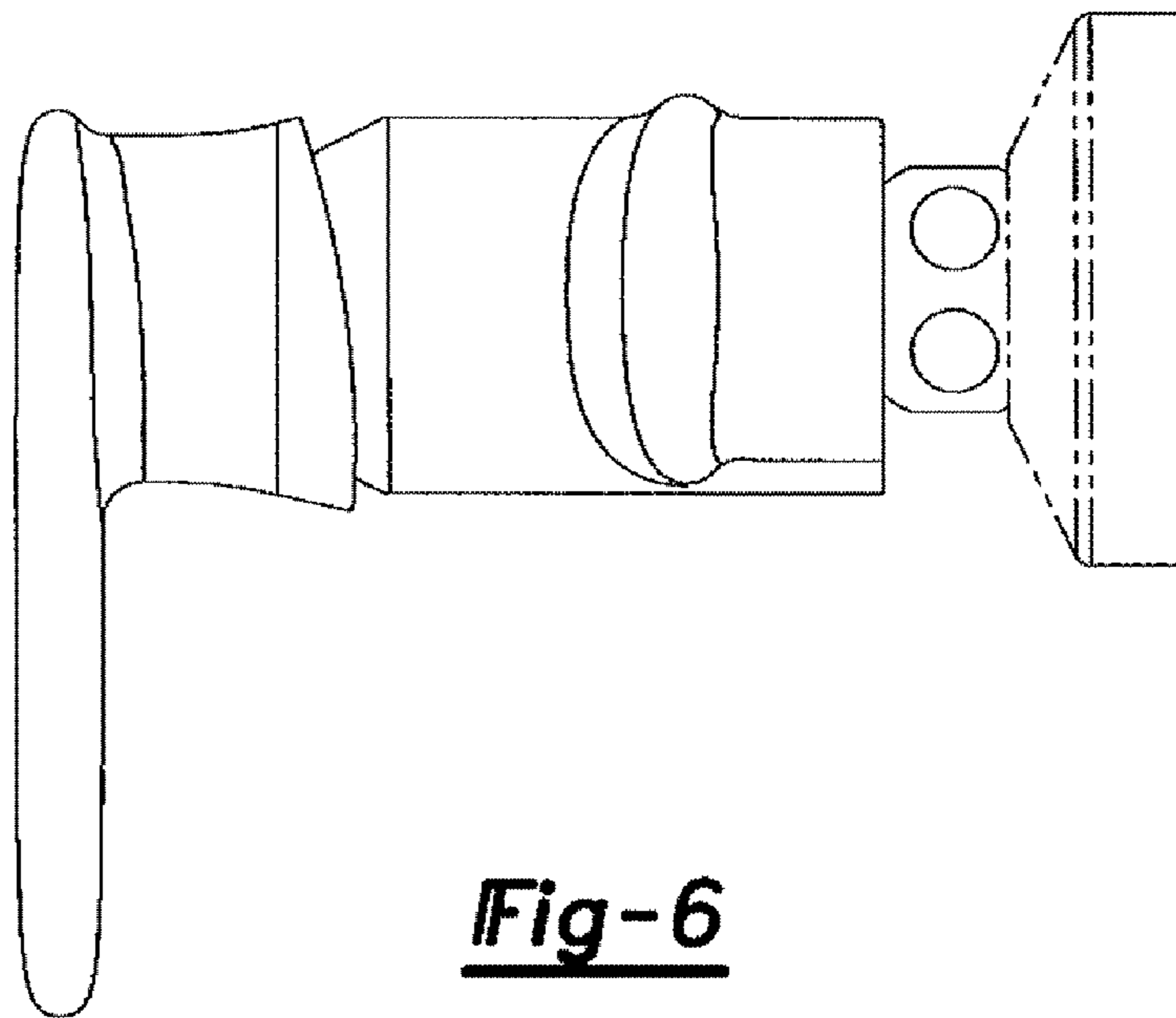


Fig-6