



US00D647598S

(12) **United States Design Patent**  
**Matusche**

(10) **Patent No.:** **US D647,598 S**

(45) **Date of Patent:** **\*\* \*Oct. 25, 2011**

(54) **VALVE HOUSING**

(75) **Inventor:** **Charlotte Matusche,**  
Schoental-Oberkessach (DE)

(73) **Assignee:** **Buerkert Werke GmbH,** Ingelfingen  
(DE)

(\*\*) **Term:** **14 Years**

(21) **Appl. No.:** **29/383,965**

(22) **Filed:** **Jan. 25, 2011**

(51) **LOC (9) Cl.** ..... **23-01**

(52) **U.S. Cl.** ..... **D23/233**

(58) **Field of Classification Search** ..... D23/233–237,  
D23/244–249, 262, 263, 266; 251/148, 309,  
251/129.01, 15, 17, 38, 40, 206, 243, 310,  
251/315.1, 315.14; 137/240, 412, 498, 545,  
137/549, 170–174, 625.22, 625.47  
See application file for complete search history.

(56) **References Cited**

**U.S. PATENT DOCUMENTS**

D112,890 S *	1/1939	Zinkil et al. ....	D23/233
D332,822 S *	1/1993	Reid et al. ....	D23/233
D357,731 S *	4/1995	Chih ....	D23/263
D419,217 S *	1/2000	Lee ....	D23/237
D421,092 S *	2/2000	Martin ....	D23/233
D426,617 S *	6/2000	Hansen ....	D23/237
D462,751 S *	9/2002	Streetman ....	D23/262
D479,577 S *	9/2003	Engelbrektsson ....	D23/235
D480,449 S *	10/2003	Kah et al. ....	D23/233
D498,819 S *	11/2004	Goetz et al. ....	D23/245

D498,821 S *	11/2004	Nortier ....	D23/249
D568,965 S *	5/2008	Johnson ....	D23/233
D621,003 S *	8/2010	Gramegna et al. ....	D23/233
D627,816 S *	11/2010	Olsen ....	D17/13
D638,521 S *	5/2011	Matusche ....	D23/233

\* cited by examiner

*Primary Examiner* — Cathron C. Brooks

*Assistant Examiner* — Maurice Stevens

(74) *Attorney, Agent, or Firm* — Carlson, Gaskey & Olds,  
PC

(57) **CLAIM**

The ornamental design for a valve housing, as shown and described.

**DESCRIPTION**

The file of this patent contains at least one drawing executed in color. Copies of this patent with color drawing(s) will be provided by the Office upon request and payment of the necessary fee.

FIG. 1 is a perspective view of a valve housing.

FIG. 2 is a front view thereof.

FIG. 3 is a rear view thereof.

FIG. 4 is a top view thereof.

FIG. 5 is a bottom view thereof.

FIG. 6 is a side view thereof; and,

FIG. 7 is a side view thereof, opposite from the side view of FIG. 6.

**1 Claim, 7 Drawing Sheets**  
**(7 of 7 Drawing Sheet(s) Filed in Color)**



FIGURE 1



FIGURE 2

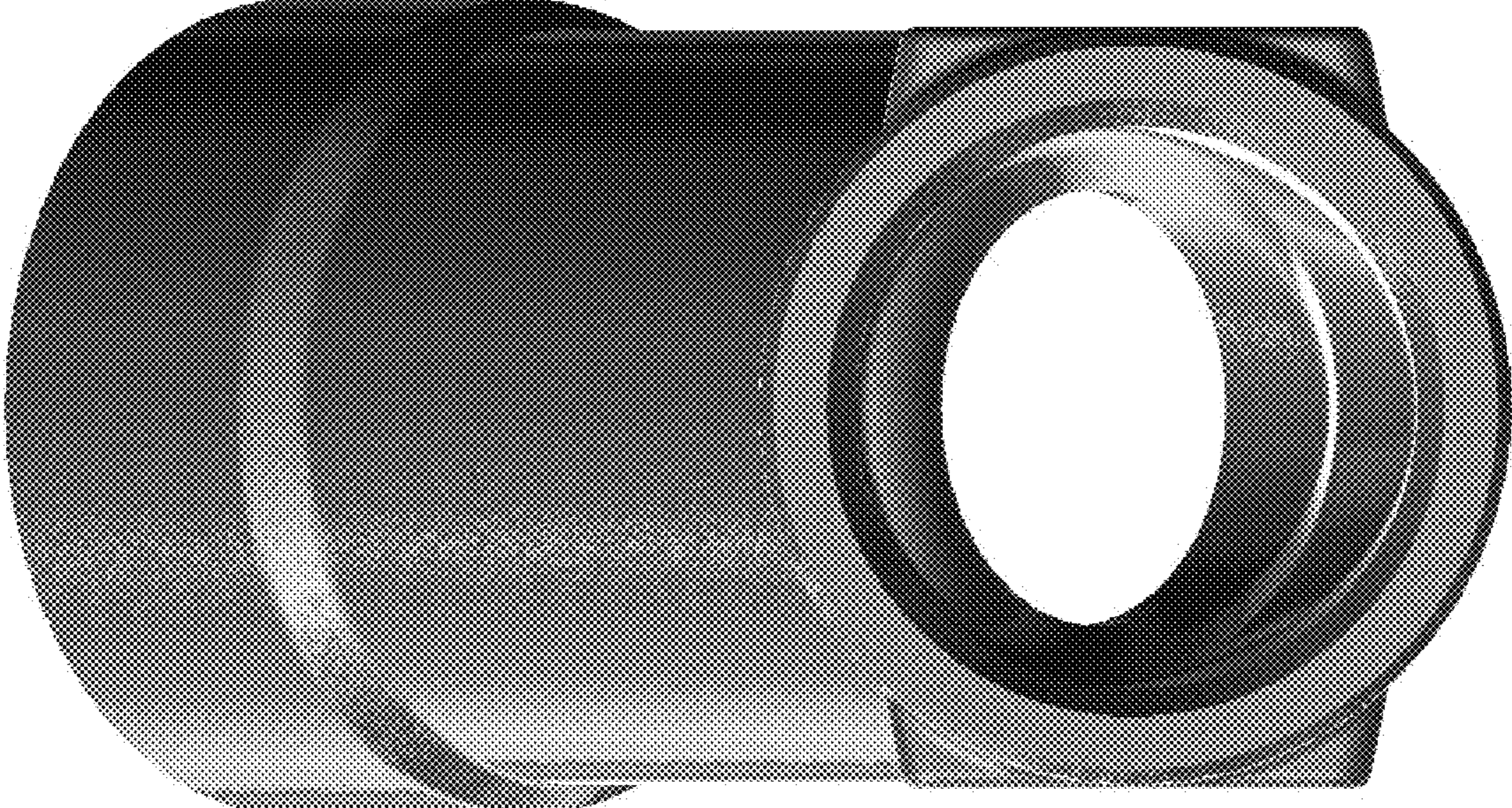


FIGURE 3

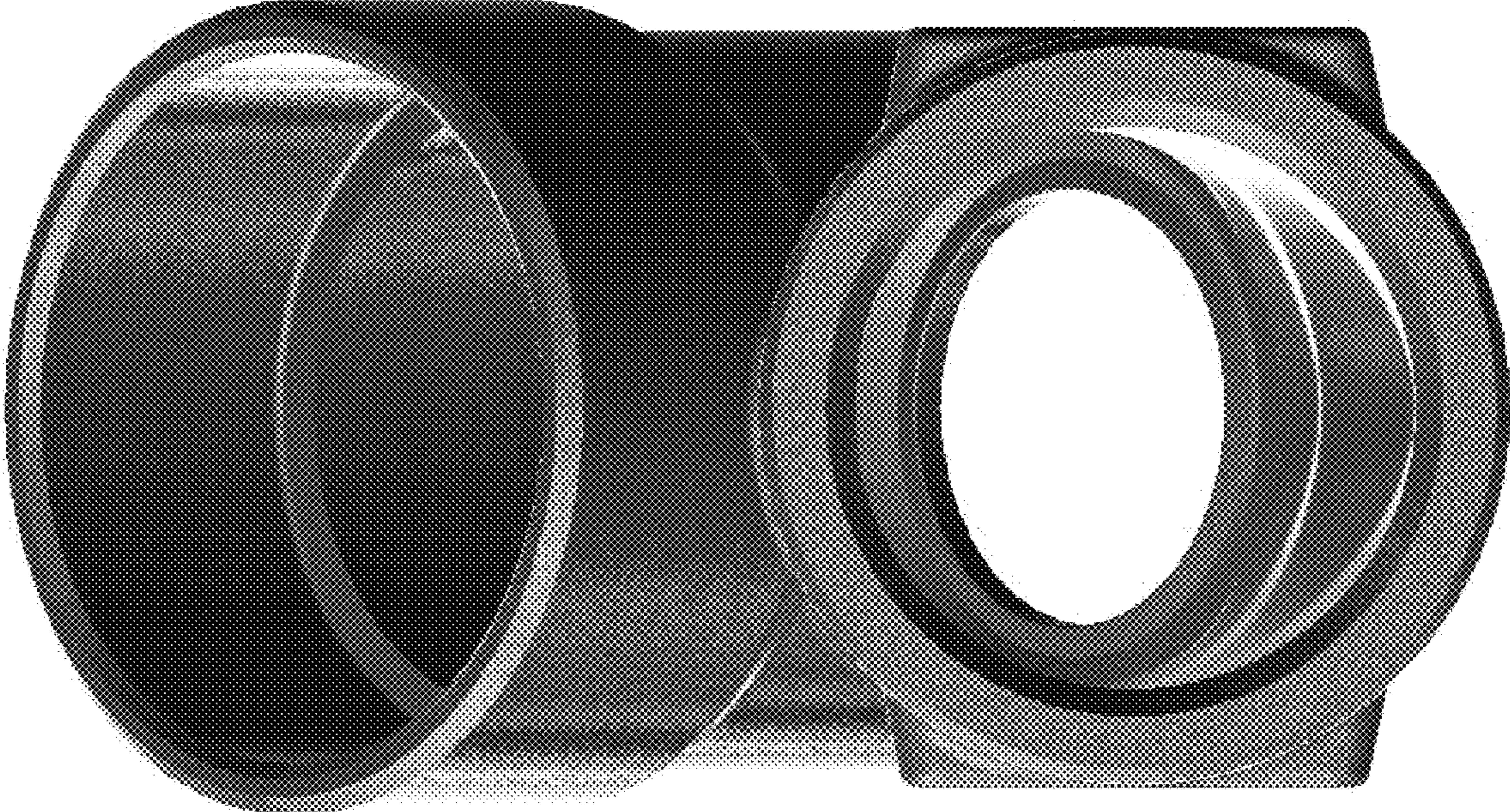


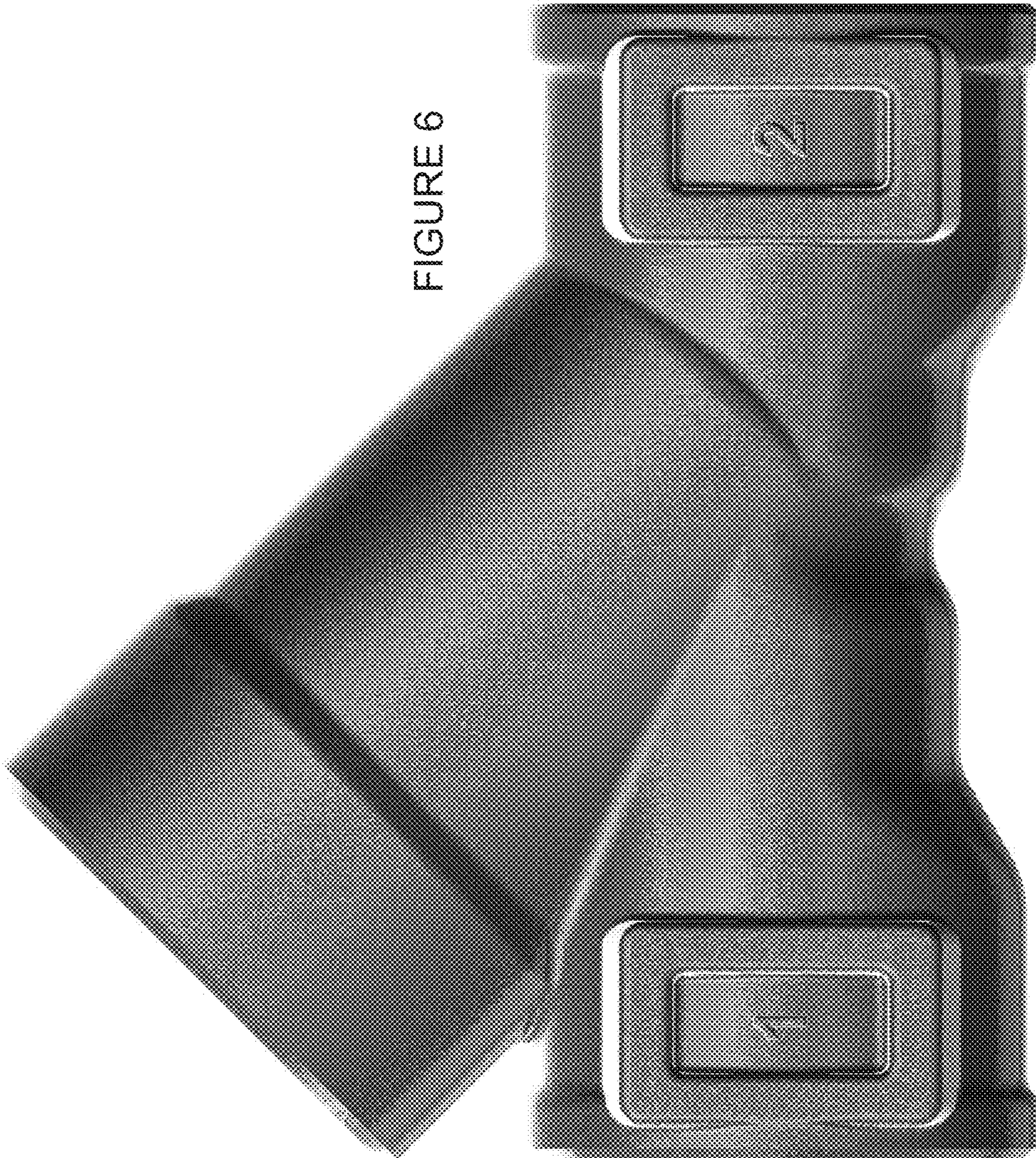


FIGURE 4



FIGURE 5

FIGURE 6



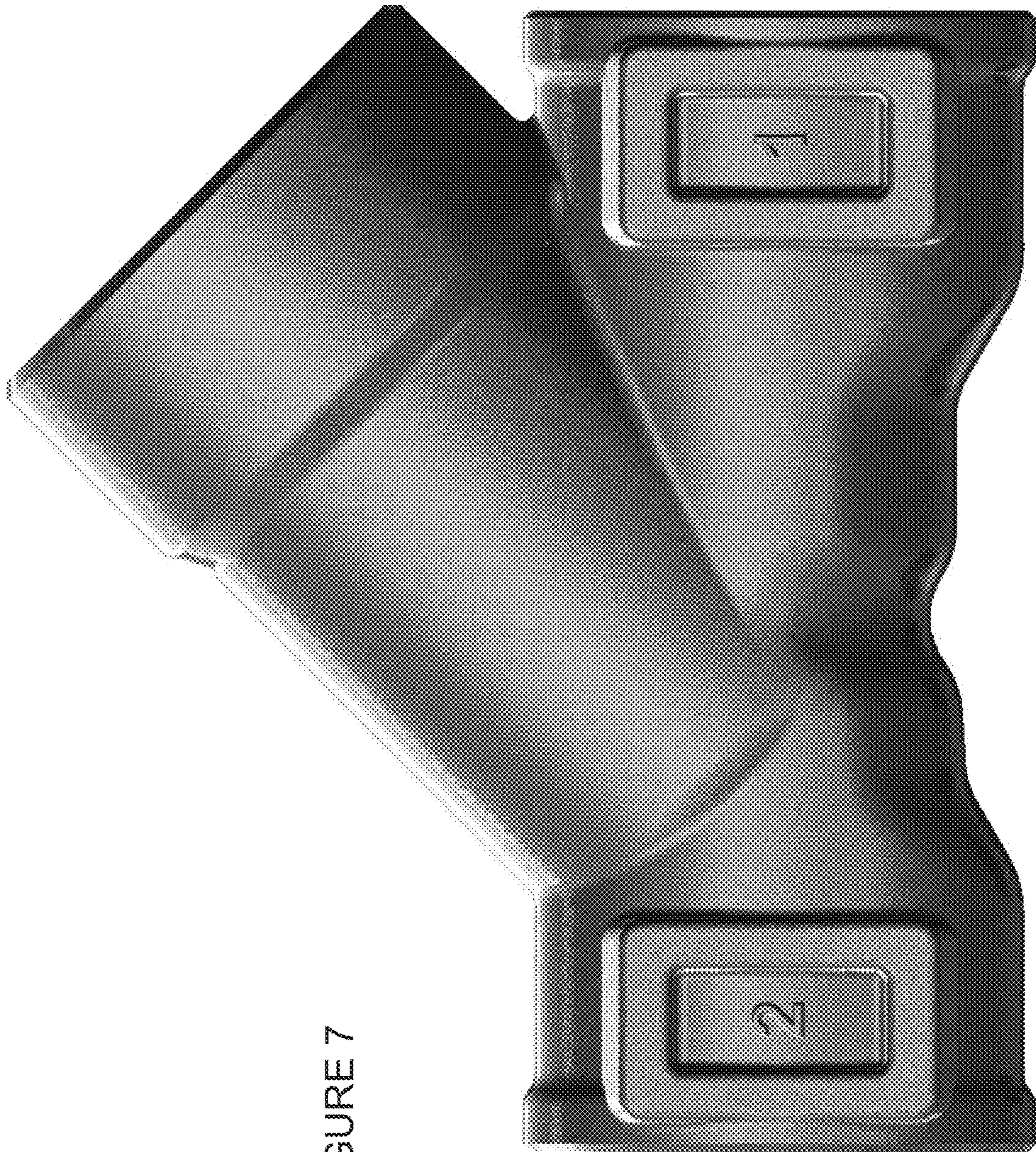


FIGURE 7