



US00D647595S

(12) **United States Design Patent**
Reid et al.

(10) **Patent No.:** **US D647,595 S**
(45) **Date of Patent:** **** Oct. 25, 2011**

(54) **FILTER BLOCK FOR LIQUID FILTRATION**

(75) Inventors: **Roger P. Reid**, Caldwell, ID (US);
Bruce D Saaski, Nampa, ID (US)

(73) Assignee: **Omnipure Filter Company, Inc.**,
Caldwell, ID (US)

(**) Term: **14 Years**

(21) Appl. No.: **29/386,504**

(22) Filed: **Mar. 1, 2011**

Related U.S. Application Data

(60) Division of application No. 29/360,990, filed on May 4, 2010, now Pat. No. Des. 633,595, which is a division of application No. 29/334,388, filed on Mar. 25, 2009, now Pat. No. Des. 615,150, which is a continuation-in-part of application No. 11/858,765, filed on Sep. 20, 2007.

(51) **LOC (9) Cl.** **23-01**

(52) **U.S. Cl.** **D23/209**

(58) **Field of Classification Search** D23/207,
D23/209; 210/282, 464

See application file for complete search history.

(56) **References Cited**

U.S. PATENT DOCUMENTS

532,939 A	1/1895	Balch
2,580,209 A	12/1951	Wiley
2,720,278 A	10/1955	Wiley
3,375,933 A	4/1968	Rodman
3,538,020 A	11/1970	Heskett et al.
3,721,072 A	3/1973	Clapham
3,746,642 A	7/1973	Bergstrom
3,788,486 A	1/1974	Bergstrom
D245,999 S	10/1977	Strigle, Jr.
4,306,971 A	12/1981	Hankammer
4,664,683 A	5/1987	Degen et al.
4,665,050 A	5/1987	Degen et al.
4,666,600 A	5/1987	Hankammer
4,753,728 A	6/1988	Vander Bilt et al.
4,859,386 A	8/1989	Vander Bilt et al.

4,895,648 A	1/1990	Hankammer
4,969,996 A	11/1990	Hankammer
4,980,073 A	12/1990	Woodruff
5,017,318 A	5/1991	Vanderbilt et al.

(Continued)

FOREIGN PATENT DOCUMENTS

EP 0345381 12/1989

(Continued)

OTHER PUBLICATIONS

Notification of Transmittal of International Search Report and Written Opinion, PCT US2007/079077, Apr. 14, 2008.

(Continued)

Primary Examiner — Robin V Webster

(74) *Attorney, Agent, or Firm* — Pedersen and Company, PLLC; Ken J. Pedersen; Barbara S. Pedersen

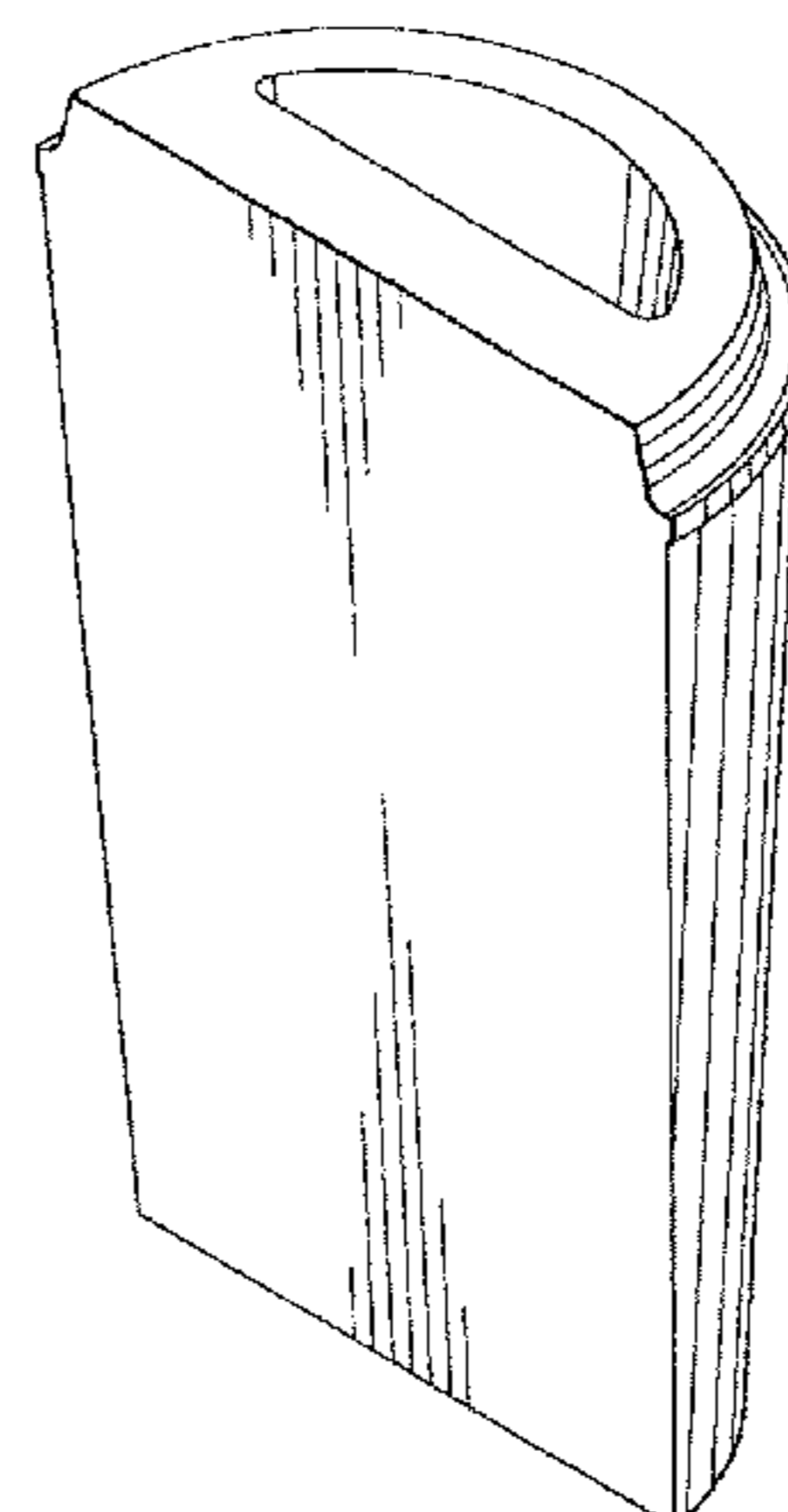
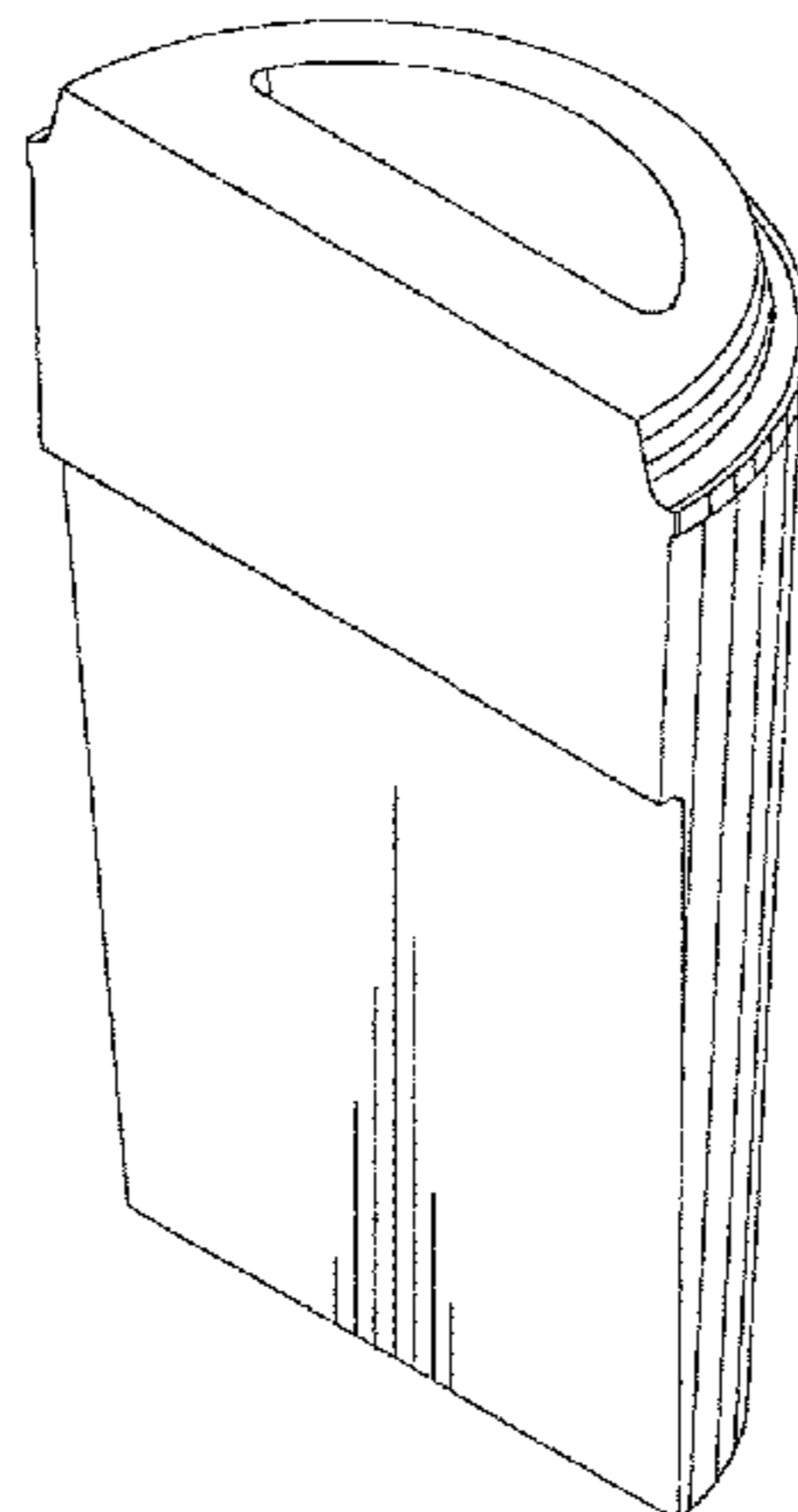
(57) **CLAIM**

The ornamental design for a filter block for liquid filtration, as shown and described.

DESCRIPTION

FIG. 1 is a front perspective view for a filter block for liquid filtration showing our new design;
FIG. 2 is a front view thereof;
FIG. 3 is a rear view thereof;
FIG. 4 is a right side view thereof, the left side being a mirror image;
FIG. 5 is a top plan view thereof;
FIG. 6 is a bottom plan view thereof;
FIG. 7 is a front perspective view of another embodiment for a filter block for liquid filtration;
FIG. 8 is a front view thereof;
FIG. 9 is a rear view thereof;
FIG. 10 is a right side view;
FIG. 11 is a top plan view thereof; and,
FIG. 12 is bottom plan view thereof.

1 Claim, 4 Drawing Sheets



US D647,595 S

Page 2

U.S. PATENT DOCUMENTS

5,019,311 A 5/1991 Koslow
5,024,764 A 6/1991 Holler
5,076,912 A 12/1991 Belz
5,147,722 A 9/1992 Koslow
5,189,092 A 2/1993 Koslow
5,225,078 A 7/1993 Polasky et al.
5,256,285 A 10/1993 Tomita et al.
5,344,558 A 9/1994 Kool
5,352,274 A 10/1994 Blakley
5,443,735 A 8/1995 Kirnbauer et al.
5,486,285 A 1/1996 Feeney
D380,535 S 7/1997 Joergensen
5,679,248 A 10/1997 Blaney
D398,184 S 9/1998 Silverberg et al.
D405,157 S 2/1999 Hayes et al.
5,873,995 A 2/1999 Huang et al.
5,922,803 A 7/1999 Koslow
D415,922 S 11/1999 Kawasaki et al.
D416,163 S 11/1999 Doritty et al.
5,980,743 A 11/1999 Bairischer
6,056,809 A 5/2000 Chapman
6,074,550 A 6/2000 Hofmann et al.
6,099,728 A 8/2000 Bairischer
D435,084 S 12/2000 Northen et al.
6,238,552 B1 5/2001 Shannon
RE37,216 E 6/2001 Koslow
RE037,216 E 6/2001 Koslow
6,280,824 B1 8/2001 Insley et al.
6,290,646 B1 9/2001 Cosentino et al.
6,290,847 B1 9/2001 Cutler
6,290,848 B1 9/2001 Tanner et al.
6,322,615 B1 11/2001 Chapman
6,368,504 B1 4/2002 Kuennen
6,395,190 B1 5/2002 Koslow
6,413,303 B2 7/2002 Gelderland et al.
6,524,477 B1 2/2003 Hughes
6,565,749 B1 5/2003 Hou
6,638,426 B1 10/2003 Fritter et al.
6,841,067 B1 1/2005 Hofmann et al.
6,989,101 B2 1/2006 Cumberland et al.
D529,127 S 9/2006 Cueman
7,169,466 B2 1/2007 Taylor et al.
7,297,263 B2 11/2007 Nelson
7,303,683 B2 12/2007 Cumberland

7,378,015 B2 5/2008 Rinker et al.
7,396,461 B2 7/2008 Bommi et al.
D579,515 S 10/2008 Bell et al.
D612,906 S 3/2010 Reid et al.
D614,259 S 4/2010 Reid et al.
D615,149 S 5/2010 Reid et al.
D615,150 S 5/2010 Reid et al.
D617,869 S 6/2010 Reid et al.
D618,761 S 6/2010 Reid et al.
D633,595 S 3/2011 Reid et al.
2002/0005377 A1 1/2002 Tanner et al.
2002/0062740 A1 5/2002 Brukov
2002/0195407 A1 12/2002 Levy
2003/0140785 A1 7/2003 Koslow
2004/0195180 A1 10/2004 Cumberland et al.
2004/0251190 A1 12/2004 Cumberland et al.
2005/0072729 A1 4/2005 Bridges et al.
2005/0172731 A1 8/2005 Anklin et al.
2006/0000763 A1 1/2006 Rinker et al.
2006/0021928 A1 2/2006 Nelson
2006/0260997 A1 11/2006 Nelson
2007/0215536 A1 9/2007 Bommi et al.
2008/0190827 A1 8/2008 Rinker

FOREIGN PATENT DOCUMENTS

EP 1354857 A4 10/2003
GB 2390987 A 1/2004
IN 320/MUMNP 8/2005
WO WO 98/14265 4/1988
WO WO 99/10076 3/1999
WO WO 01/23306 4/2001
WO WO 02/41970 5/2002
WO WO 02/053262 7/2002
WO WO 03/048693 A1 6/2003
WO WO 2004/000732 A1 12/2003
WO WO 2005/094966 A1 10/2005
WO WO 2005/095284 A1 10/2005
WO WO 2006/037420 A1 4/2006
WO WO2006/121932 A1 11/2006
WO WO 2008/036844 A2 3/2008

OTHER PUBLICATIONS

Bear, Jacob, "Dynamics of Fluids in Porous Media", American Elsevier Publishing Company Inc., 1972, pp. 45-47.

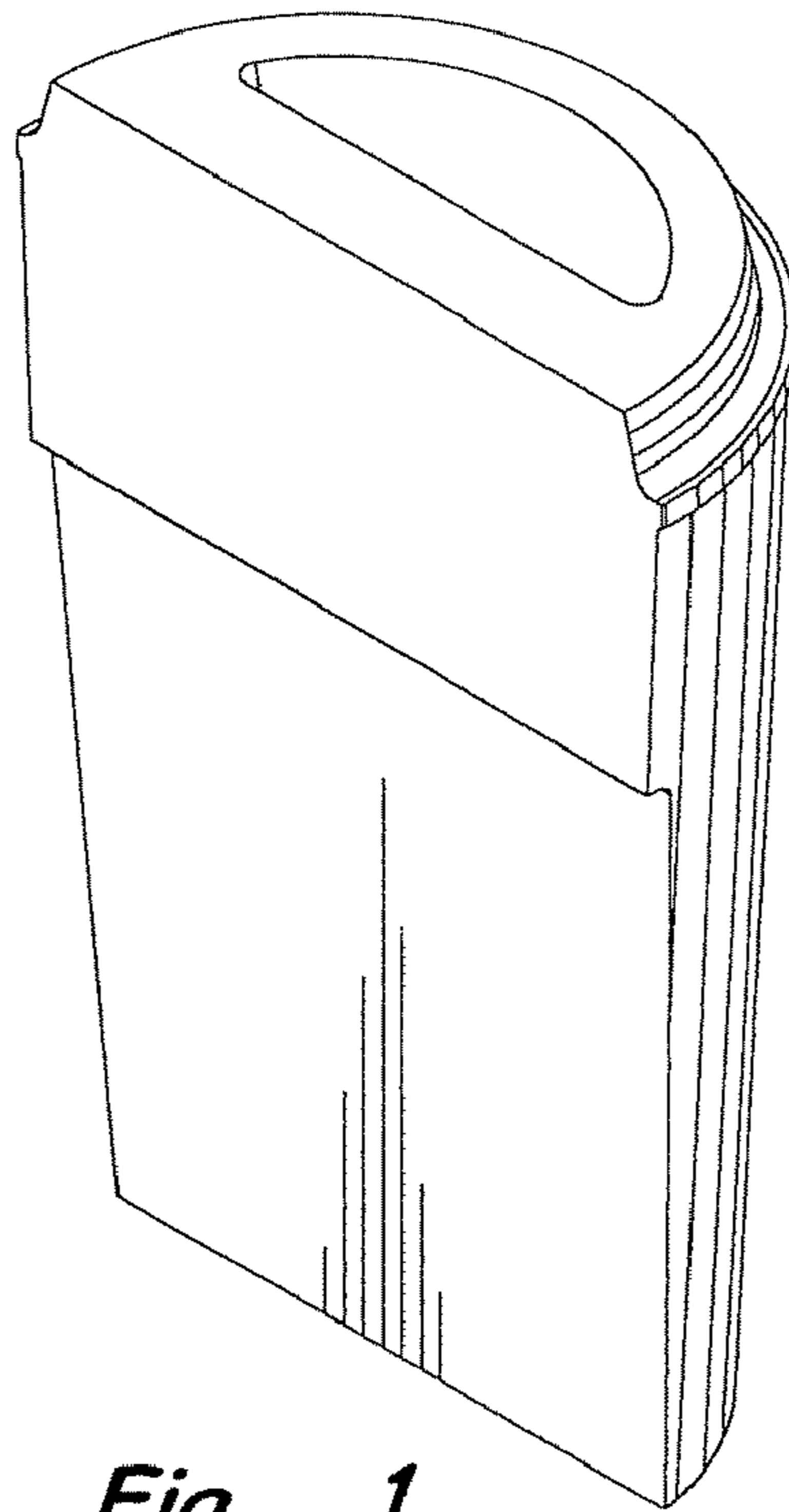


Fig. 1

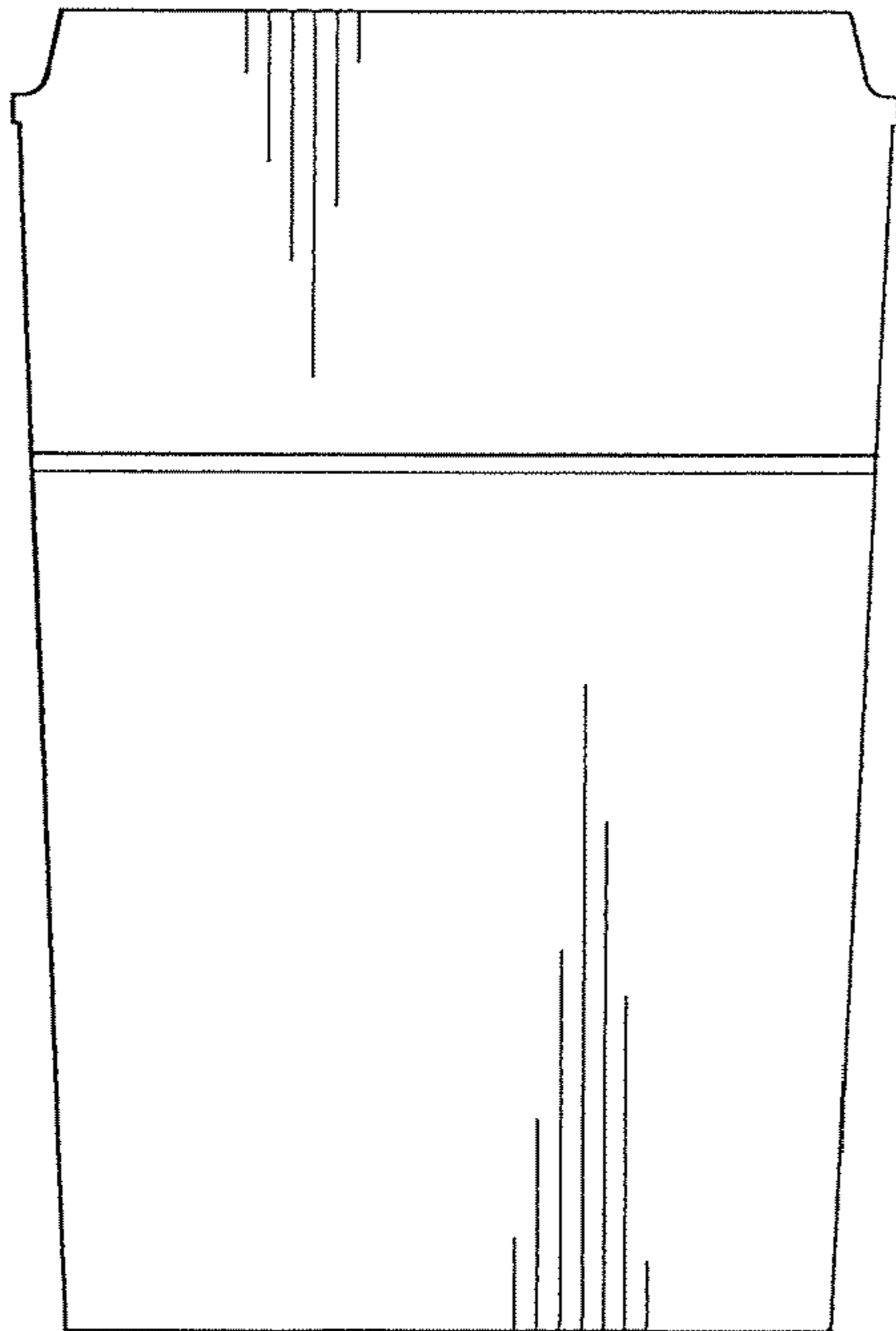


Fig. 2

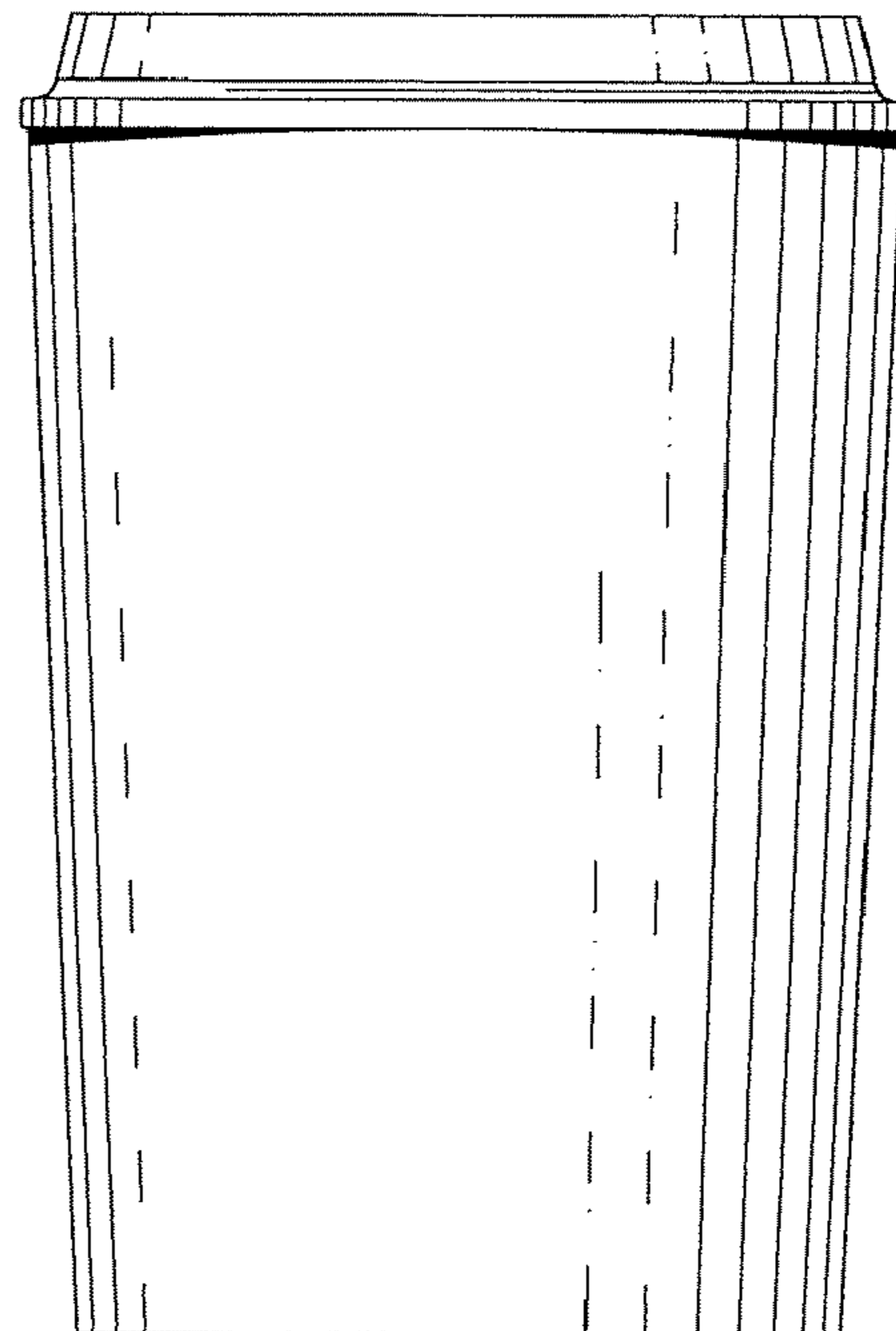


Fig. 3

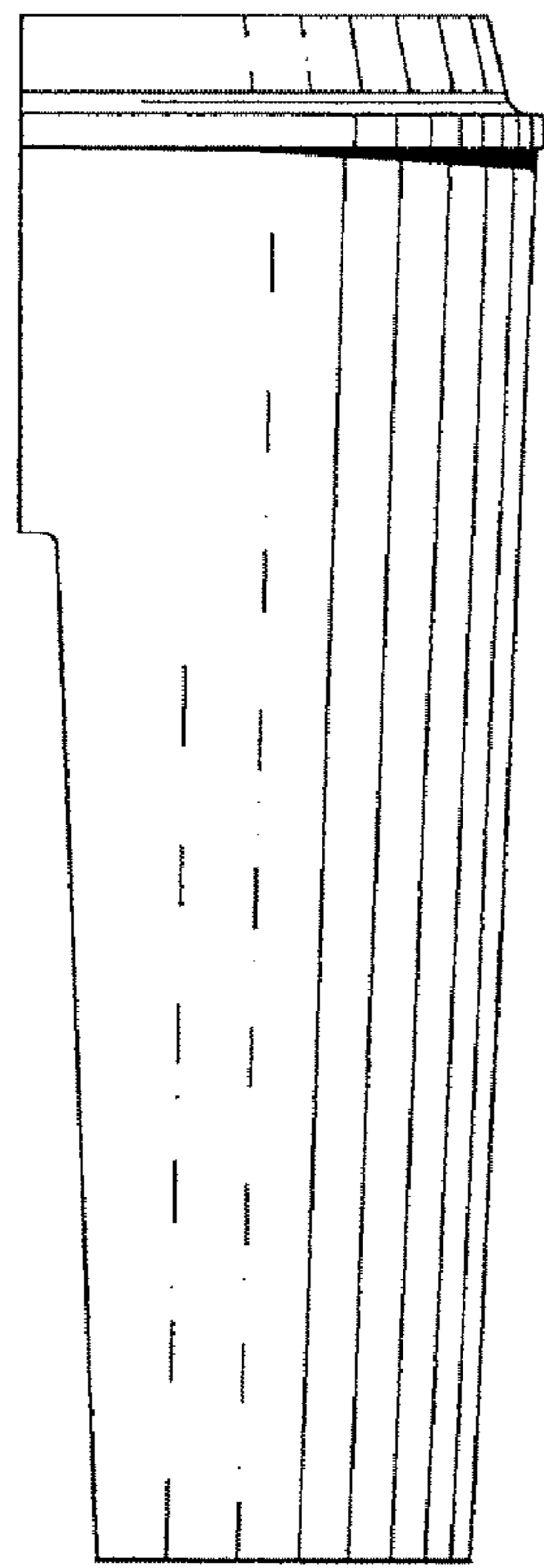


Fig. 4

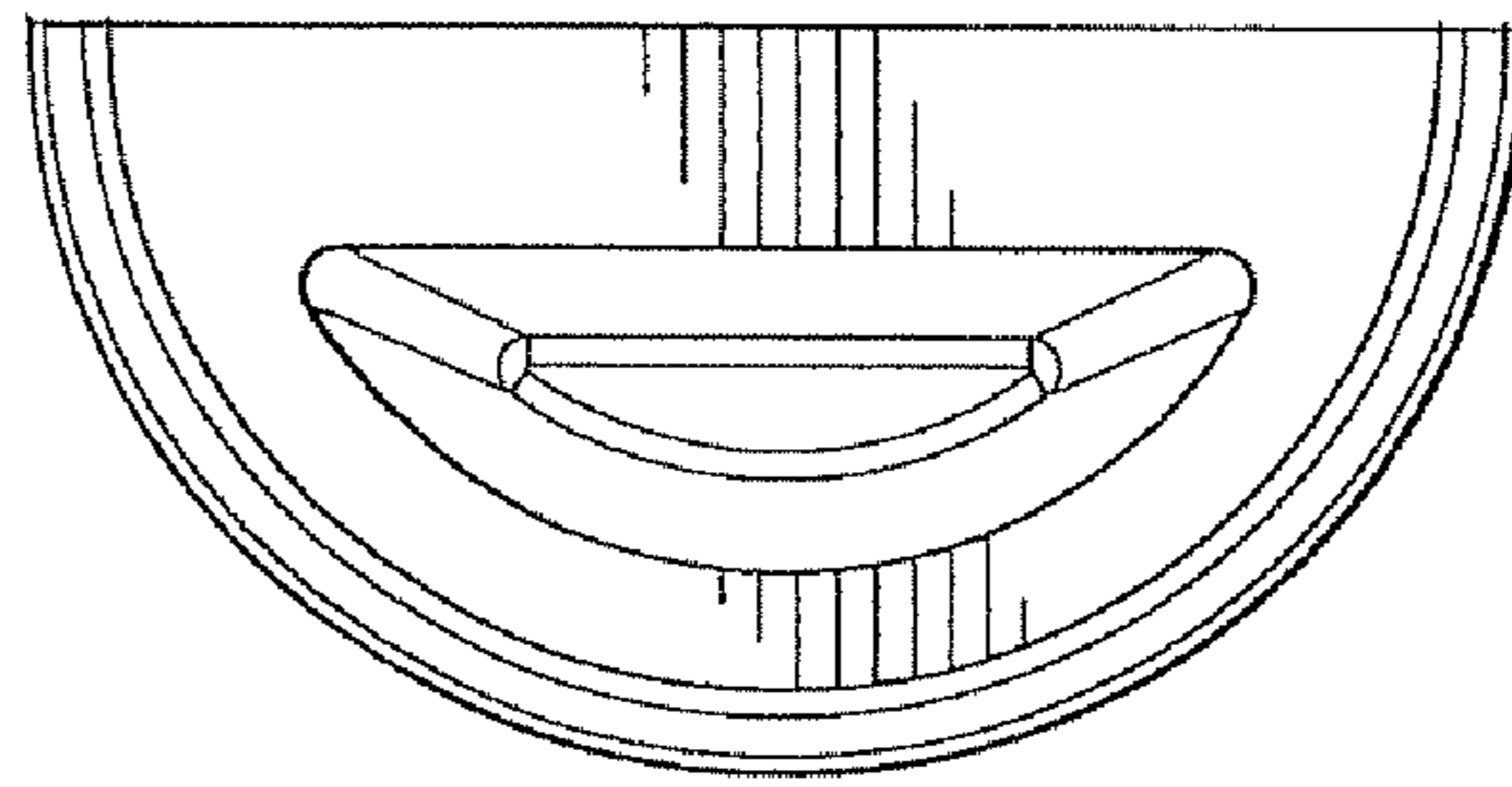


Fig. 5

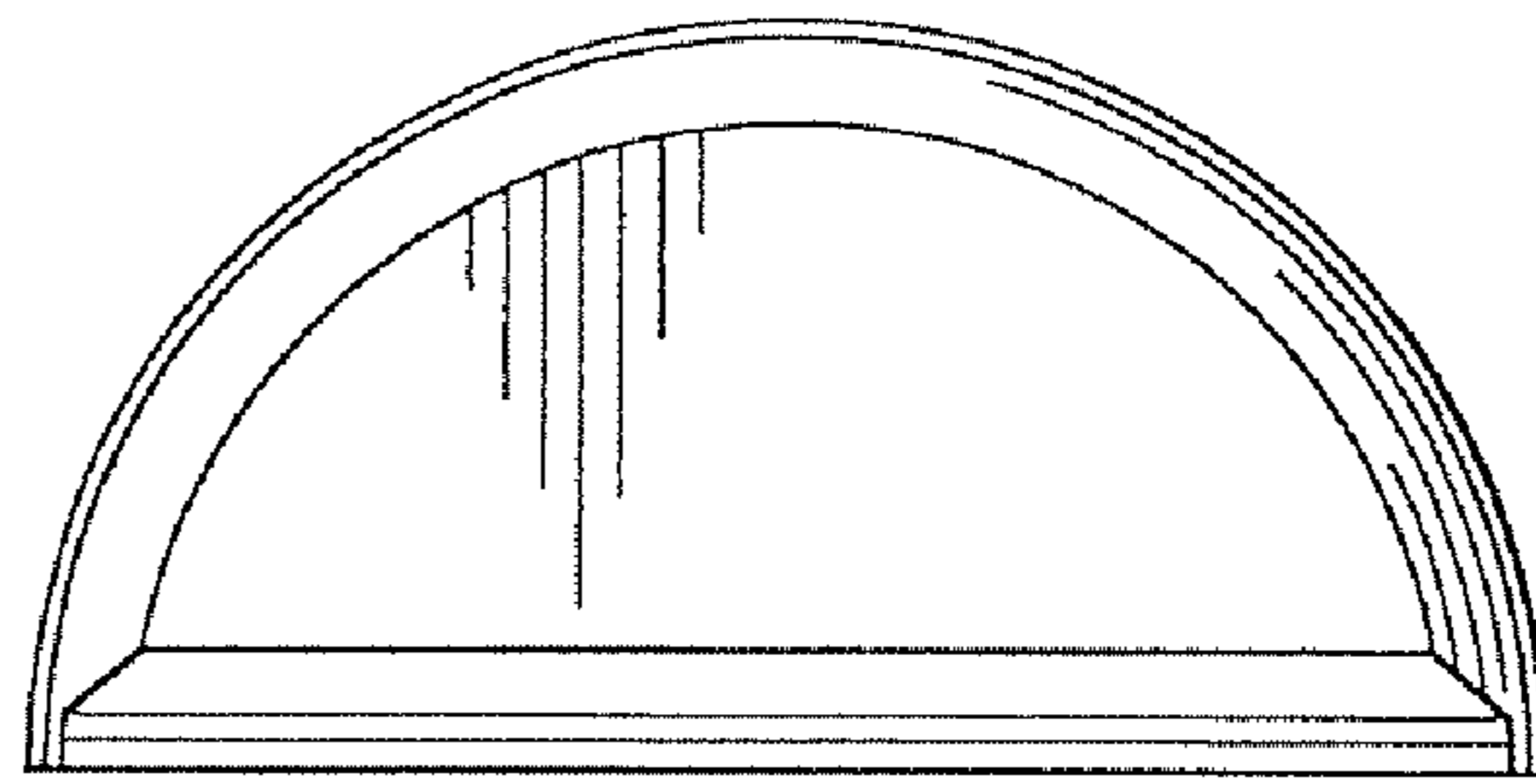


Fig. 6

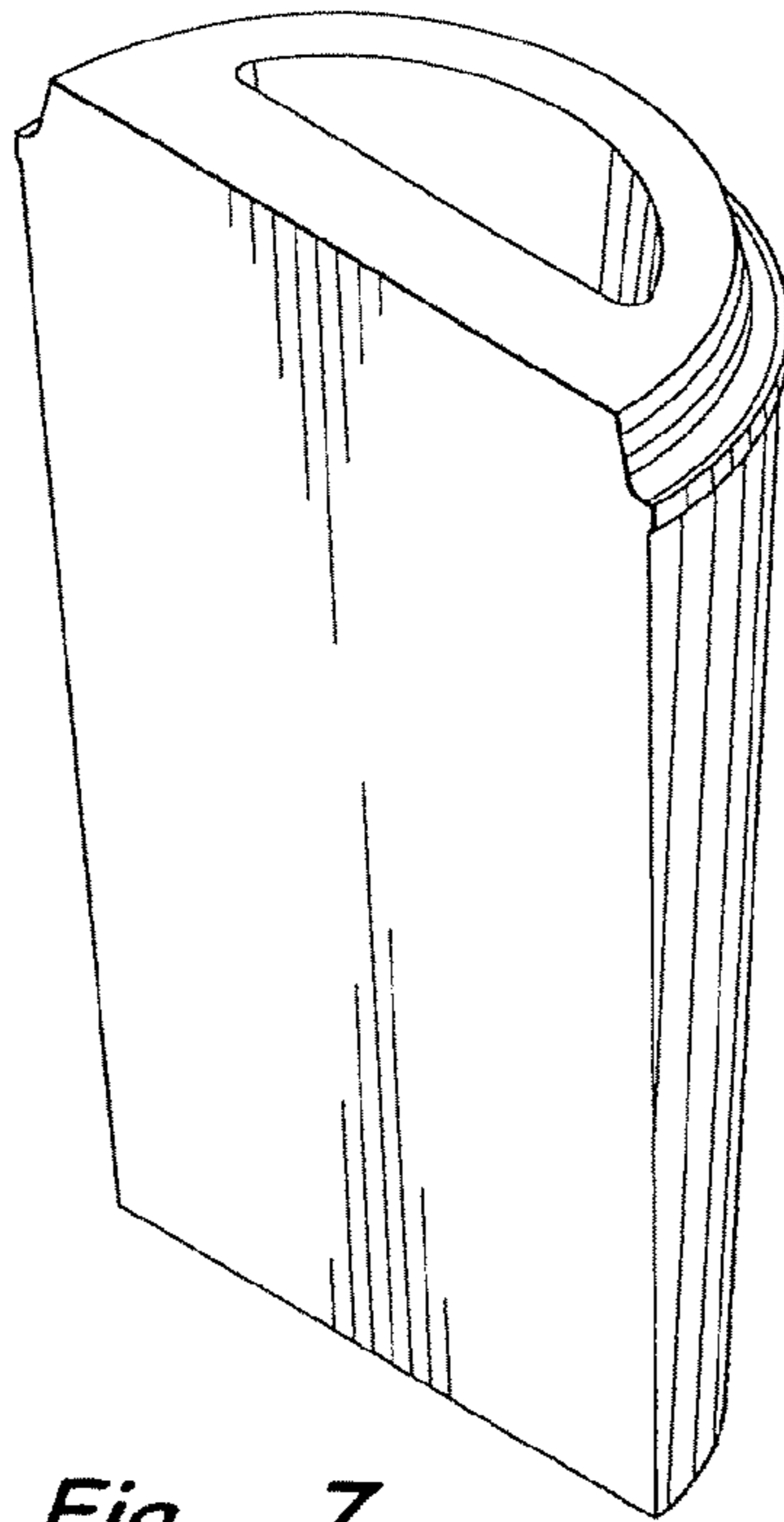


Fig. 7

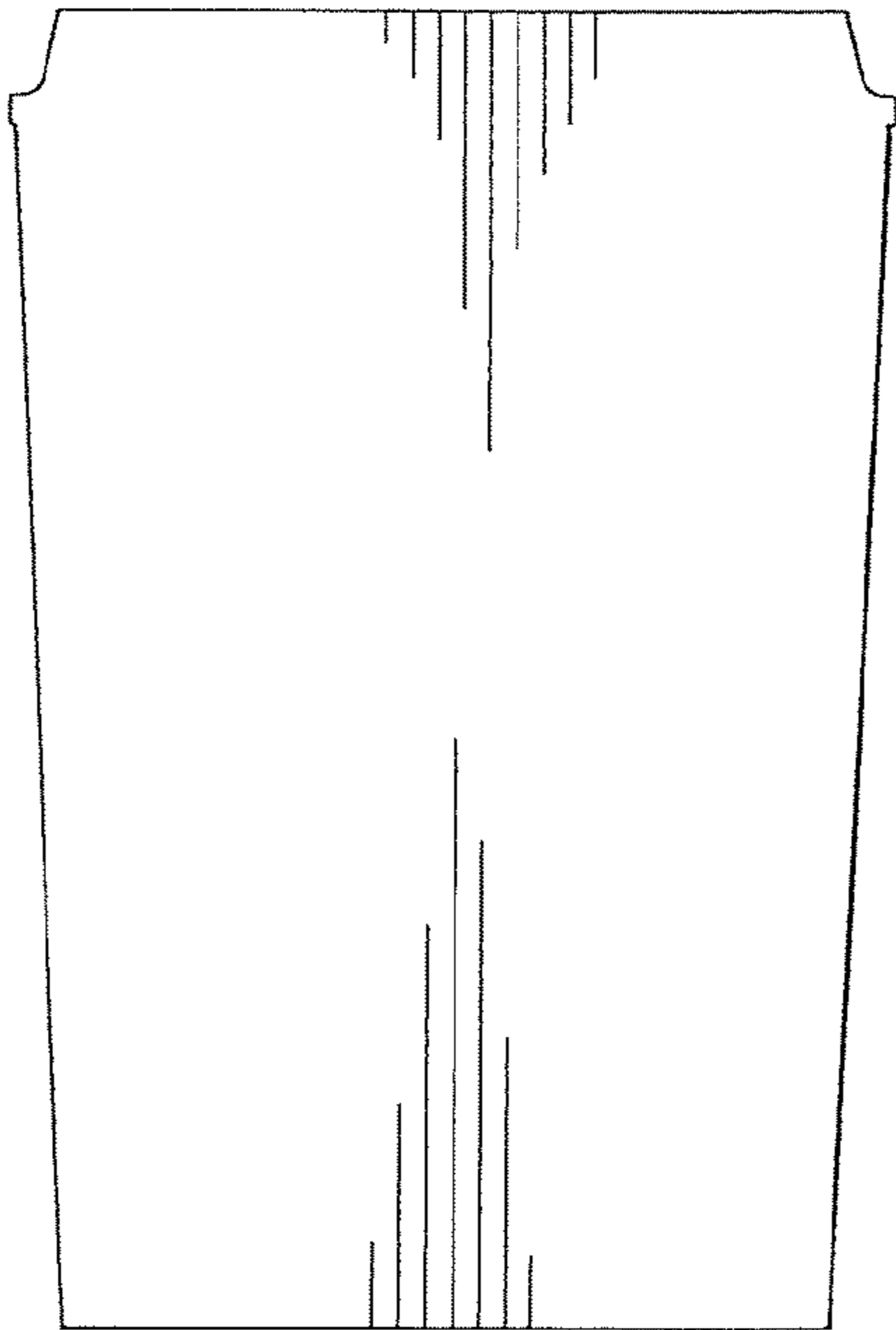


Fig. 8

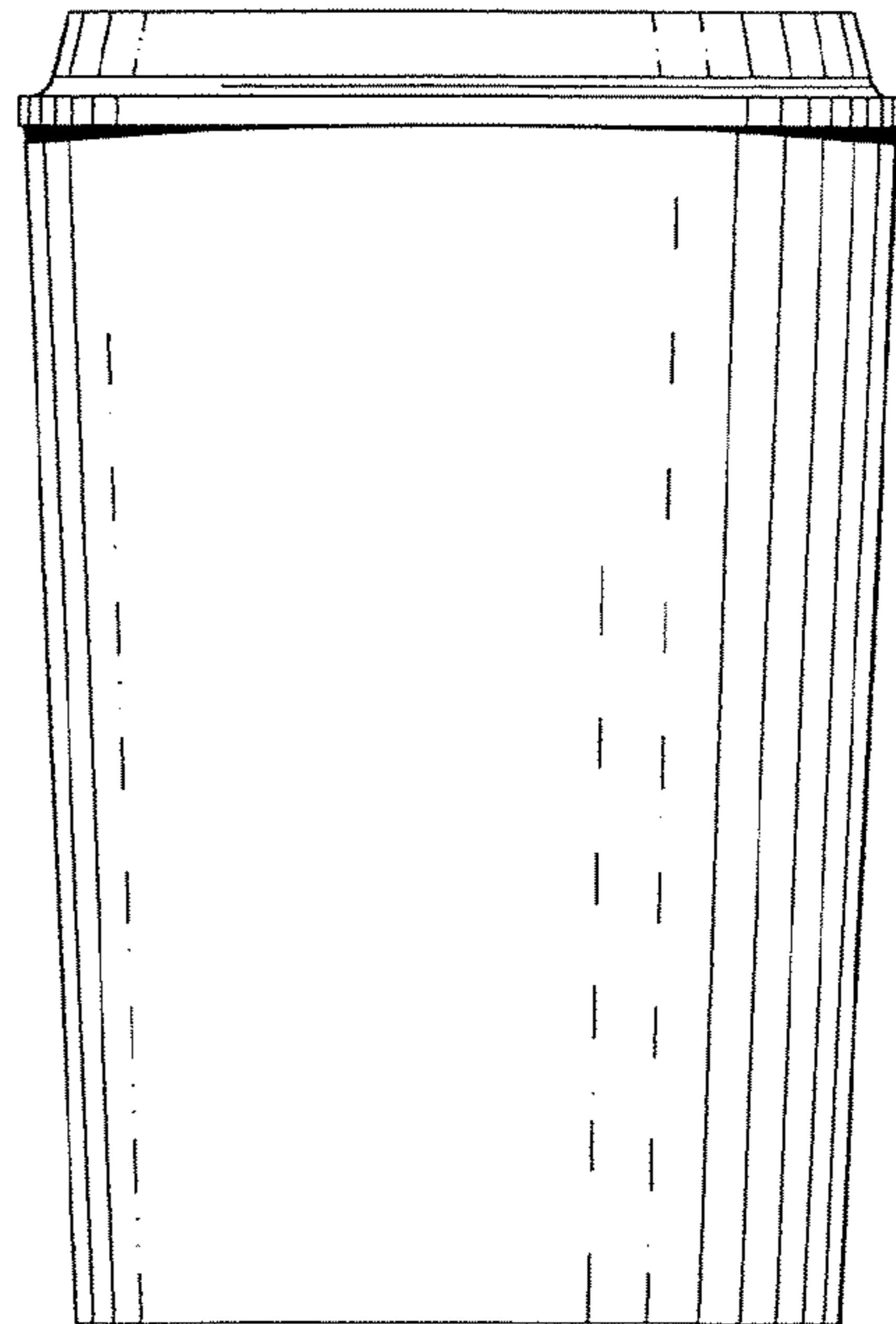


Fig. 9

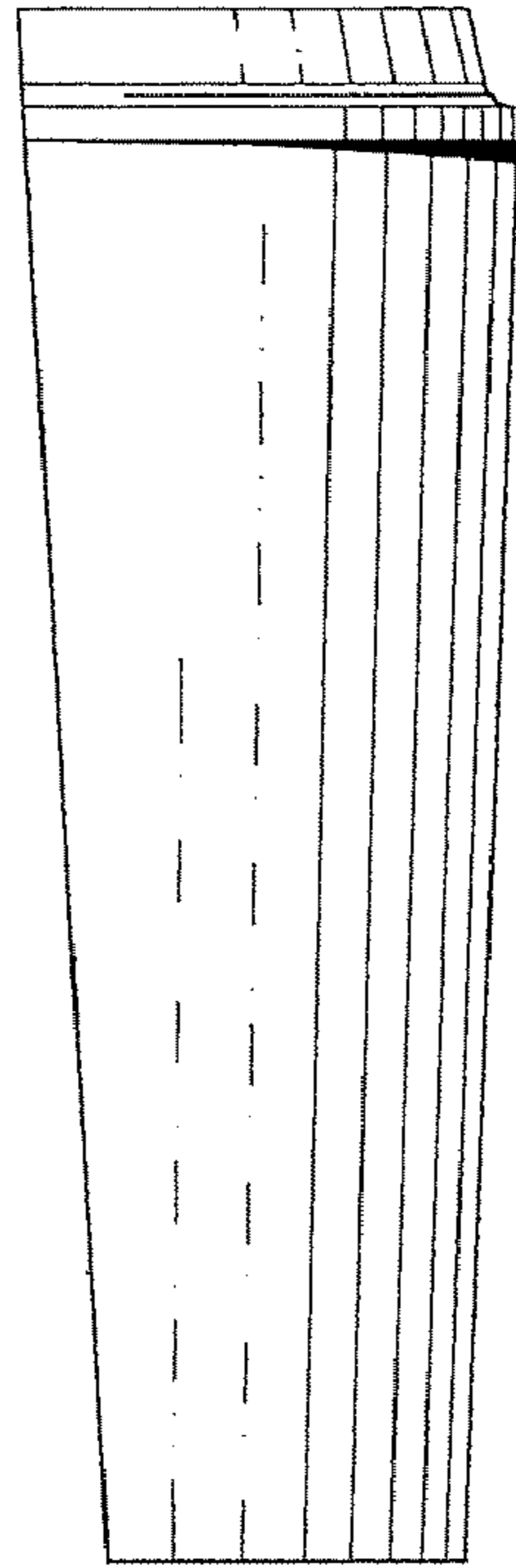


Fig. 10

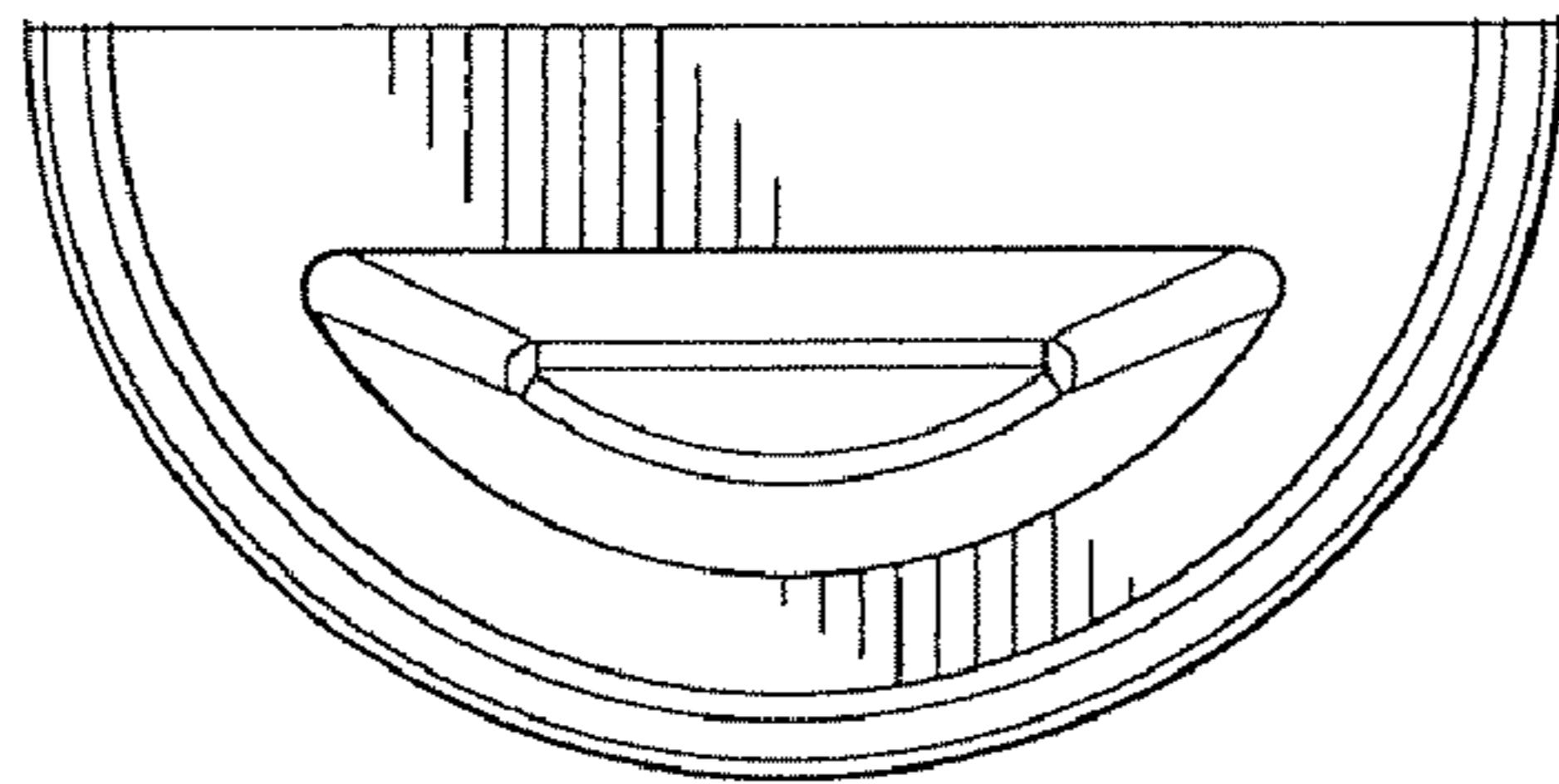


Fig. 11

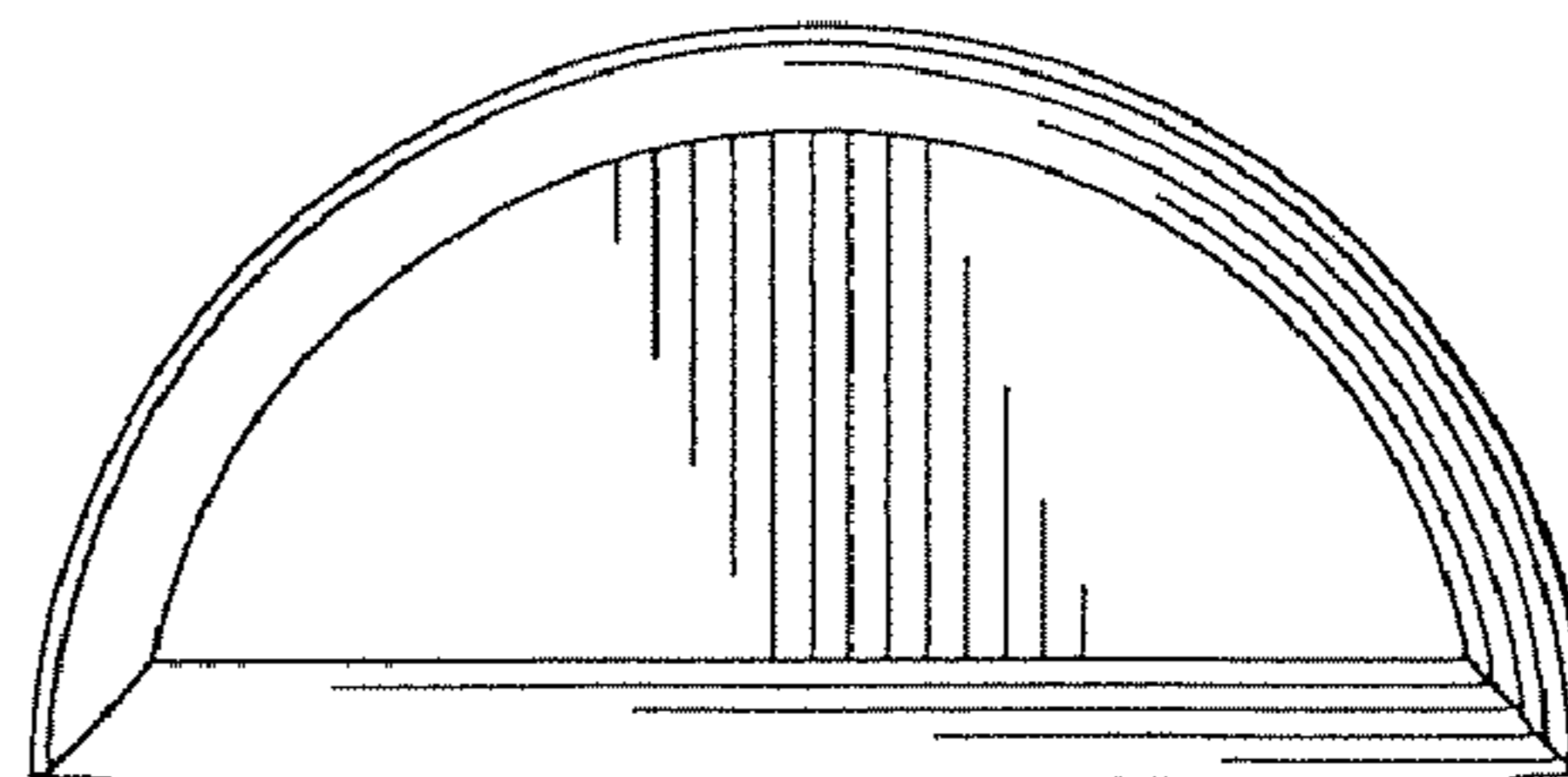


Fig. 12