



US00D647594S

(12) **United States Design Patent**
Bridges et al.

(10) **Patent No.:** **US D647,594 S**
(45) **Date of Patent:** **** Oct. 25, 2011**

(54) **FILTER CARTRIDGE FOR A WATER PURIFYING PITCHER**

(75) Inventors: **Michael Bridges**, Seattle, WA (US);
Ricky Wai Kit Chan, Bellevue, WA (US)

(73) Assignee: **HaloSource Inc.**, Bothell, WA (US)

(**) Term: **14 Years**

(21) Appl. No.: **29/380,619**

(22) Filed: **Dec. 8, 2010**

(51) **LOC (9) Cl.** **23-01**

(52) **U.S. Cl.** **D23/209**

(58) **Field of Classification Search** D23/207,
D23/209, 261; 210/282, 464

See application file for complete search history.

(56) **References Cited**

U.S. PATENT DOCUMENTS

2,584,551	A	2/1952	Chambers	
4,609,463	A	9/1986	Macevicz	
4,714,546	A	12/1987	Solomon	
D312,863	S *	12/1990	Hankammer	D23/209
5,061,367	A	10/1991	Hatch	
5,308,482	A	5/1994	Mead	
5,498,333	A	3/1996	Canther	
5,518,613	A	5/1996	Koczur	
D370,711	S *	6/1996	Serenko et al.	D23/209
5,562,824	A	10/1996	Magnusson	
D380,535	S *	7/1997	Joergensen	D23/365
5,897,770	A	4/1999	Hatch	

6,042,725	A *	3/2000	Serenko et al.	210/266
D435,084	S *	12/2000	Northen et al.	D23/209
6,187,192	B1	2/2001	Johnston	
6,274,038	B1	8/2001	Reid	
6,428,687	B1 *	8/2002	Moretto	210/100
6,524,477	B1	2/2003	Hughes	
6,602,425	B2	8/2003	Gadgil	
D529,127	S *	9/2006	Cueman	D23/209
7,396,461	B2 *	7/2008	Bommi et al.	210/266
D579,515	S *	10/2008	Bell et al.	D23/209
7,441,665	B2	10/2008	Bridges	
2004/0149642	A1	8/2004	Vandenbelt	
2005/0098506	A1	5/2005	Bridges	
2008/0202992	A1	8/2008	Bridges	

* cited by examiner

Primary Examiner — Robin Webster

(74) *Attorney, Agent, or Firm* — Christensen O'Connor Johnson Kindness PLLC

(57) **CLAIM**

The ornamental design for a filter cartridge for a water purifying pitcher, as shown.

DESCRIPTION

FIG. 1 is a perspective view of a filter cartridge for a water purifying pitcher showing our new design:

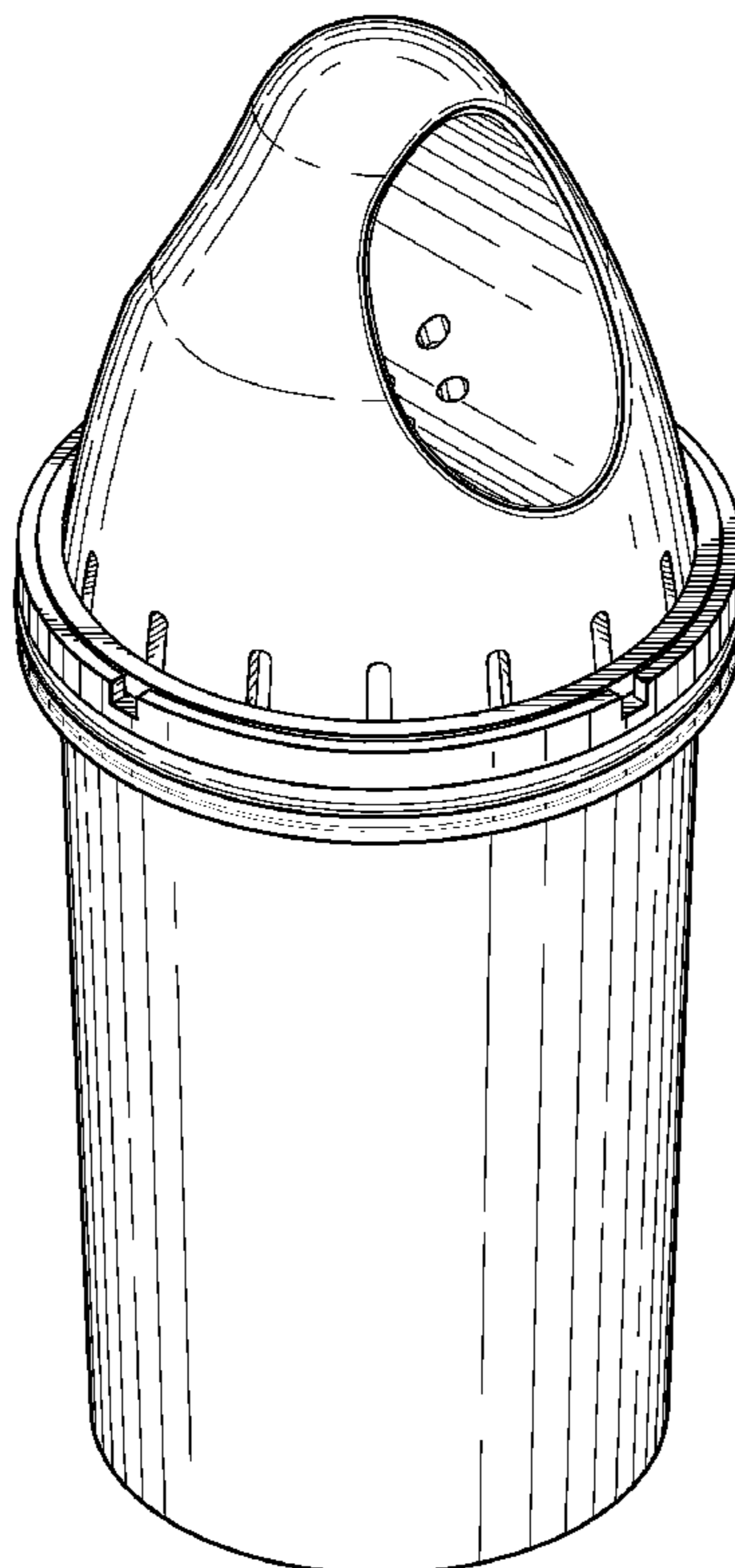
FIG. 2 is front view thereof;

FIG. 3 is right side view thereof, the left side being a mirror image;

FIG. 4 is a top view thereof; and,

FIG. 5 is bottom view thereof.

1 Claim, 4 Drawing Sheets



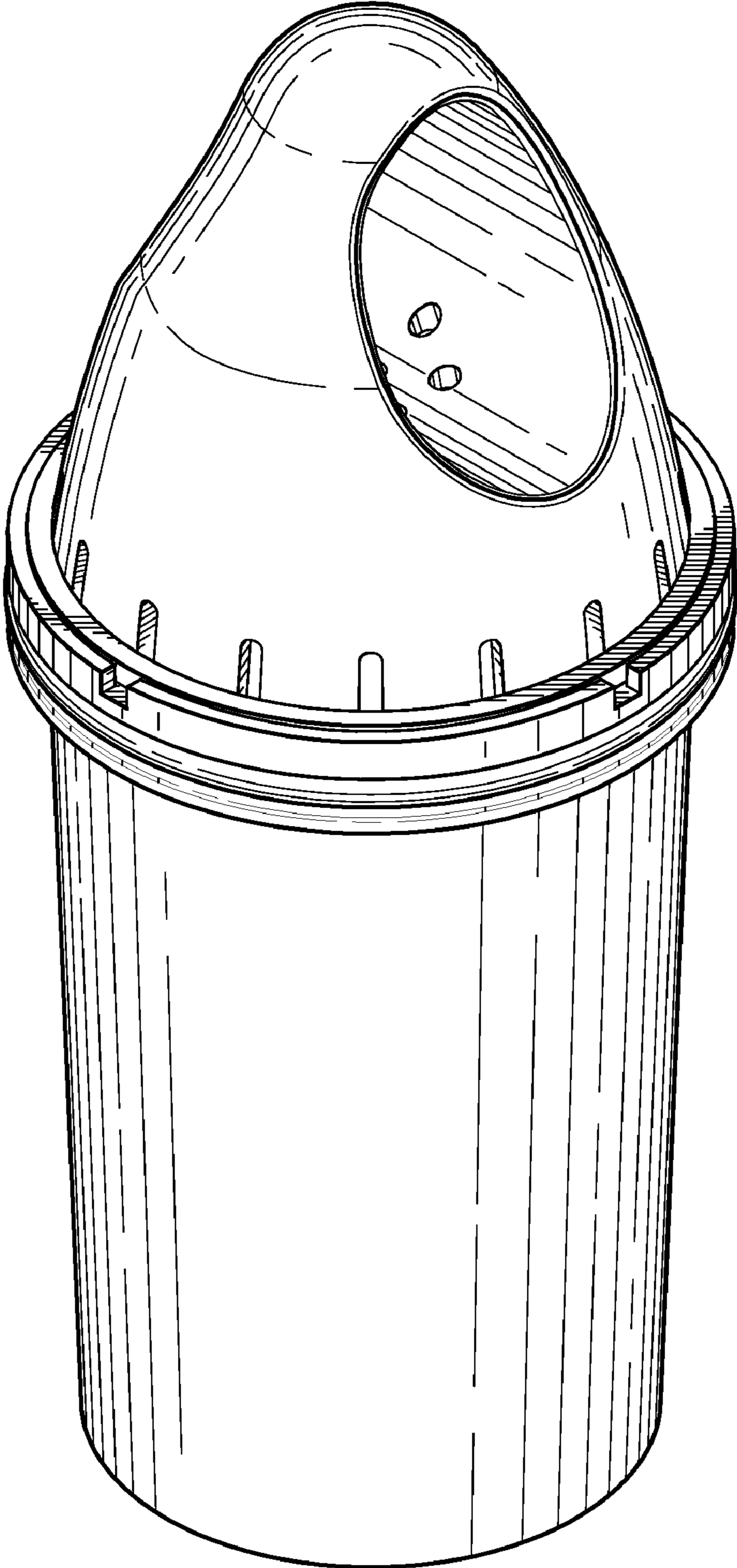


Fig. 1.

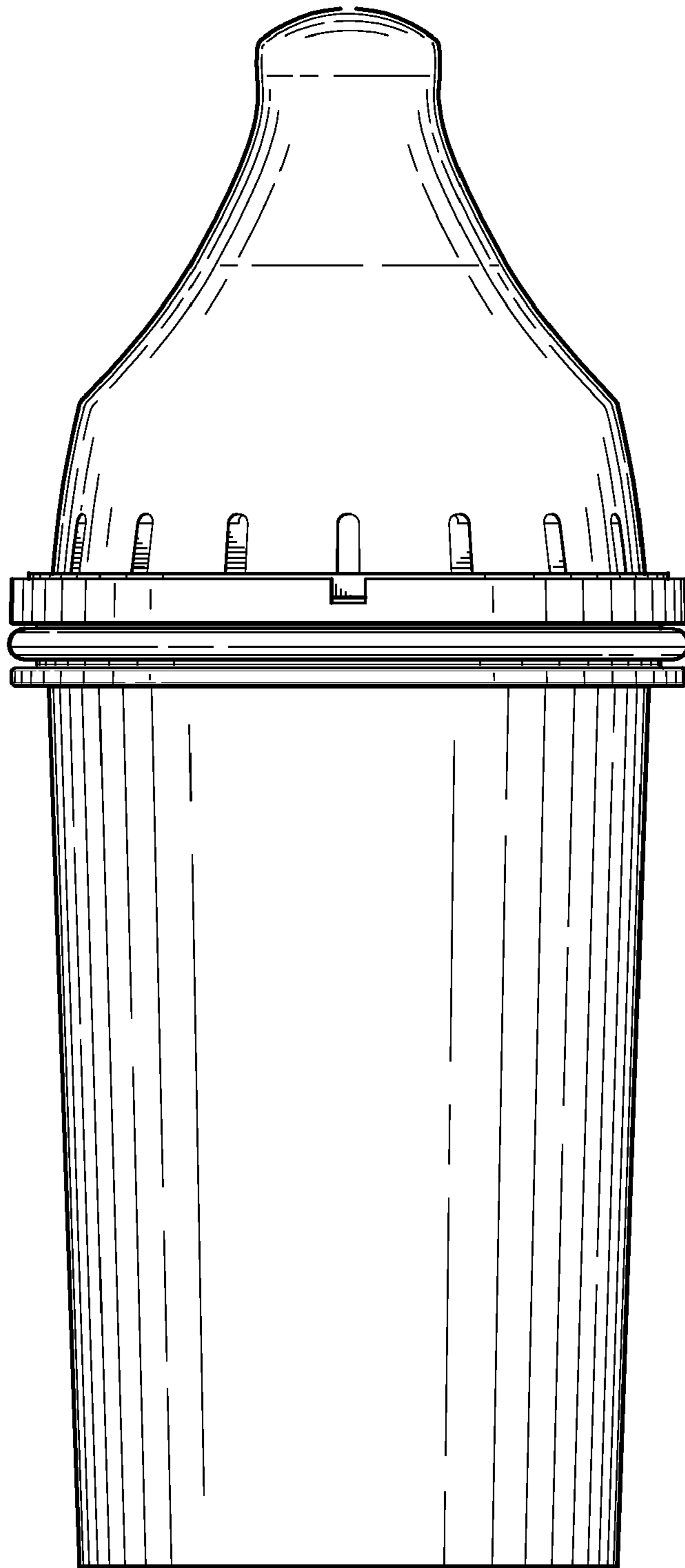


Fig. 2.

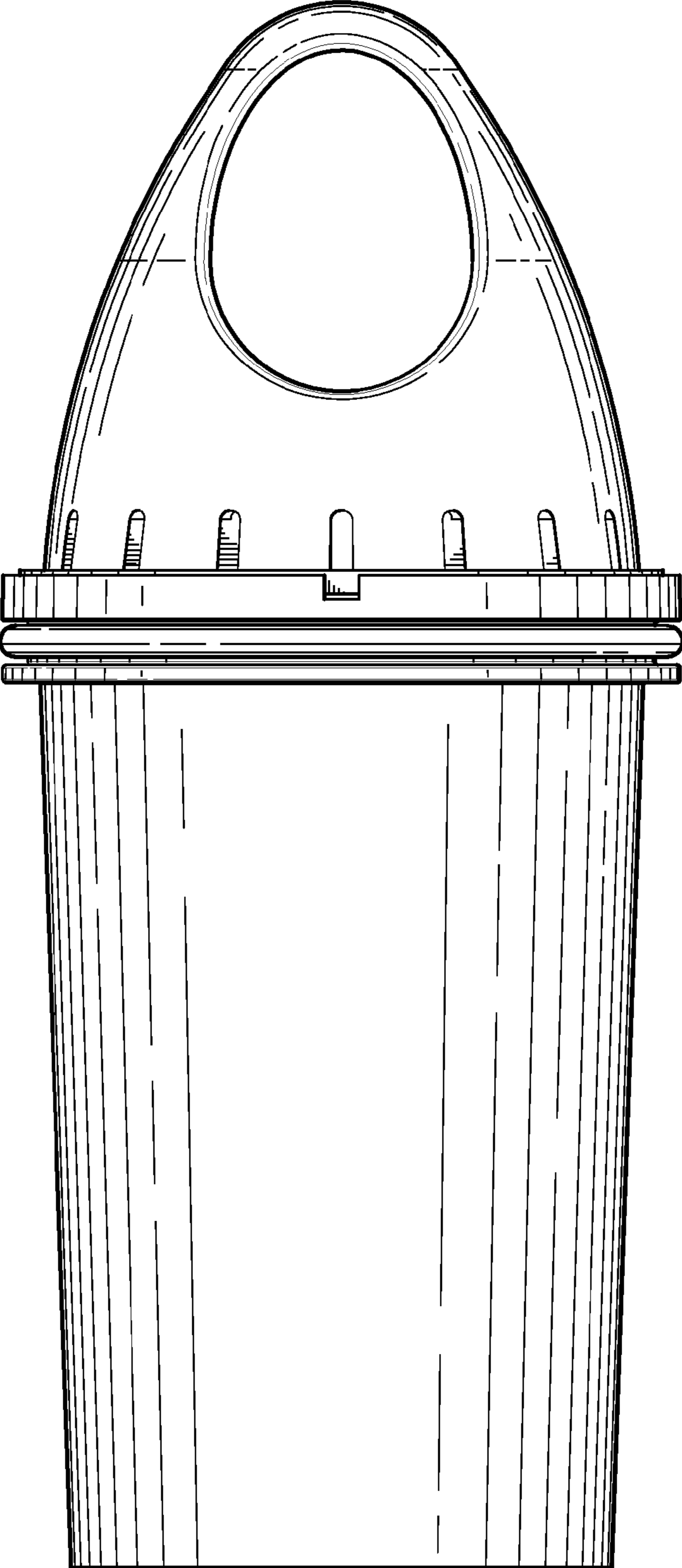


Fig. 3.

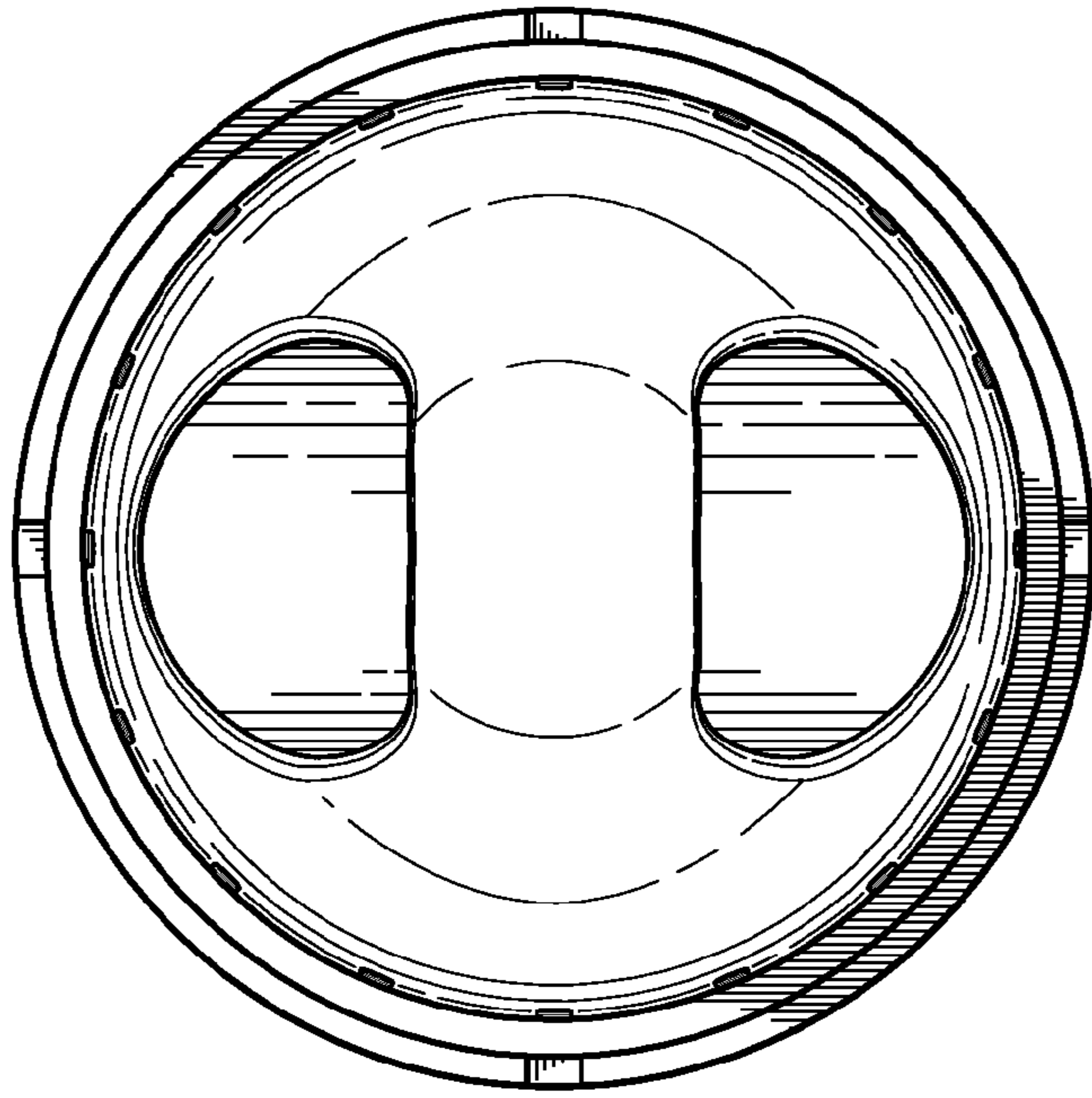


Fig. 4.

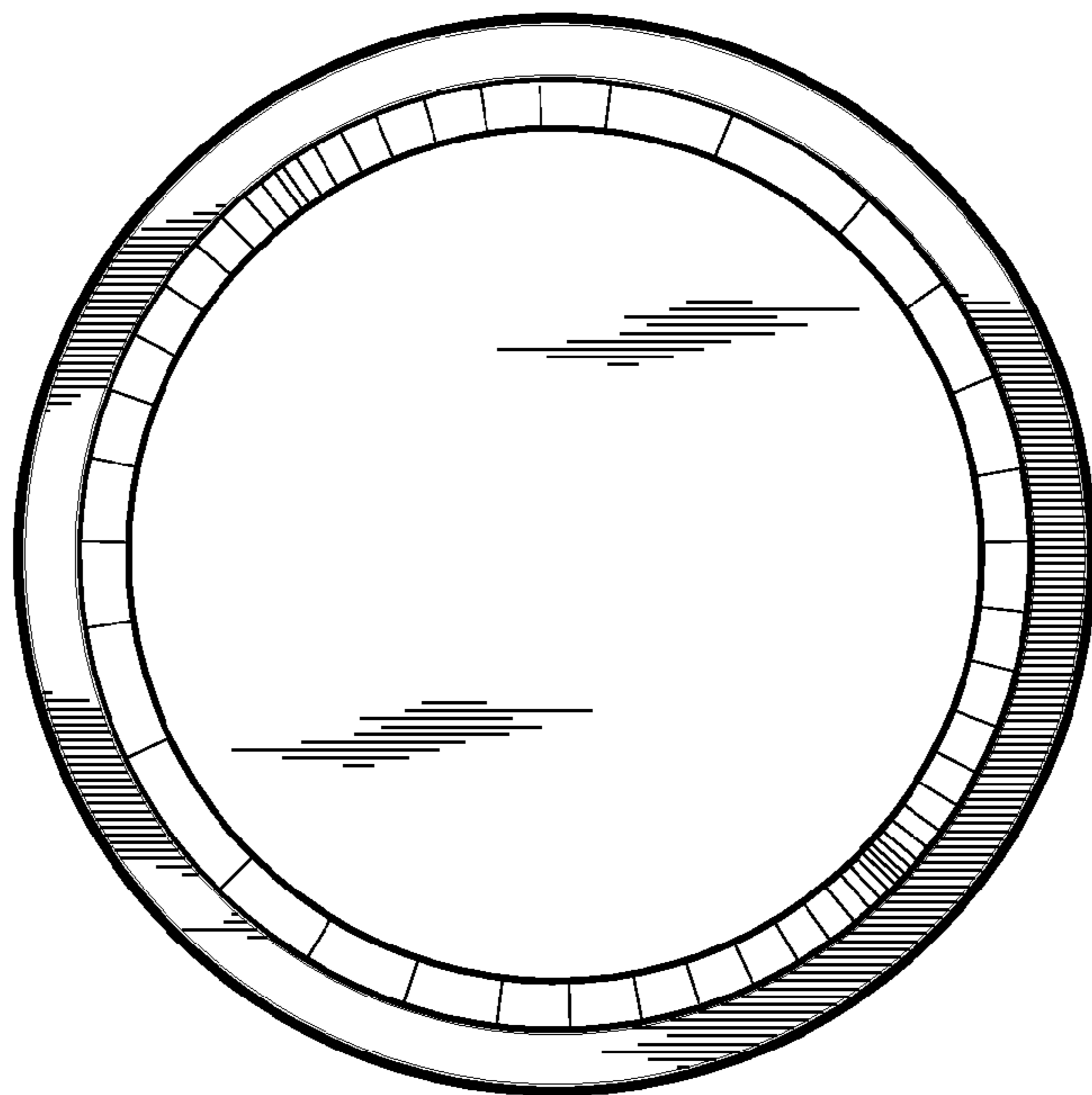


Fig. 5.

UNITED STATES PATENT AND TRADEMARK OFFICE
CERTIFICATE OF CORRECTION

PATENT NO. : D647,594 S
APPLICATION NO. : 29/380619
DATED : October 25, 2011
INVENTOR(S) : M. A. Bridges et al.

Page 1 of 1

It is certified that error appears in the above-identified patent and that said Letters Patent is hereby corrected as shown below:

ON THE TITLE PAGE:

- Item (57) Description, Col. 2, Line 3 of text "is front" should read --is a front--
- Item (57) Description, Col. 2, Line 4 of text "is right" should read --is a right--
- Item (57) Description, Col. 2, Line 7 of text "is bottom" should read --is a bottom--

Signed and Sealed this
Fourteenth Day of February, 2012



David J. Kappos
Director of the United States Patent and Trademark Office