



US00D647593S

(12) **United States Design Patent**
Choi

(10) **Patent No.:** **US D647,593 S**

(45) **Date of Patent:** **** Oct. 25, 2011**

(54) **WATER PURIFIER**

(75) Inventor: **Hun Jung Choi**, Seoul (KR)

(73) Assignee: **Woongjin Coway Co., Ltd.**,
Choongcheongnam-do (KR)

(**) Term: **14 Years**

(21) Appl. No.: **29/385,665**

(22) Filed: **Feb. 17, 2011**

(30) **Foreign Application Priority Data**

Aug. 20, 2010 (KR) 30-2010-0036470

(51) **LOC (9) Cl.** **23-01**

(52) **U.S. Cl.** **D23/207**

(58) **Field of Classification Search** D23/207,
D23/209; D7/306-308; 210/241, 435, 85;
222/185.1, 189.06, 189.08

See application file for complete search history.

(56) **References Cited**

U.S. PATENT DOCUMENTS

D325,767 S * 4/1992 Ostlund D23/207
D473,281 S * 4/2003 Jansson et al. D23/207
D486,880 S * 2/2004 Gracias et al. D23/207

D506,525 S * 6/2005 Wang D23/207
D510,122 S * 9/2005 Gagnat et al. D23/207
D530,388 S * 10/2006 Fletcher D23/207
D618,301 S * 6/2010 Cho D23/207
D637,689 S * 5/2011 Hong D23/207

FOREIGN PATENT DOCUMENTS

JP D 1136288 3/2002

* cited by examiner

Primary Examiner — Robin V Webster

(74) *Attorney, Agent, or Firm* — McDermott Will & Emery
LLP

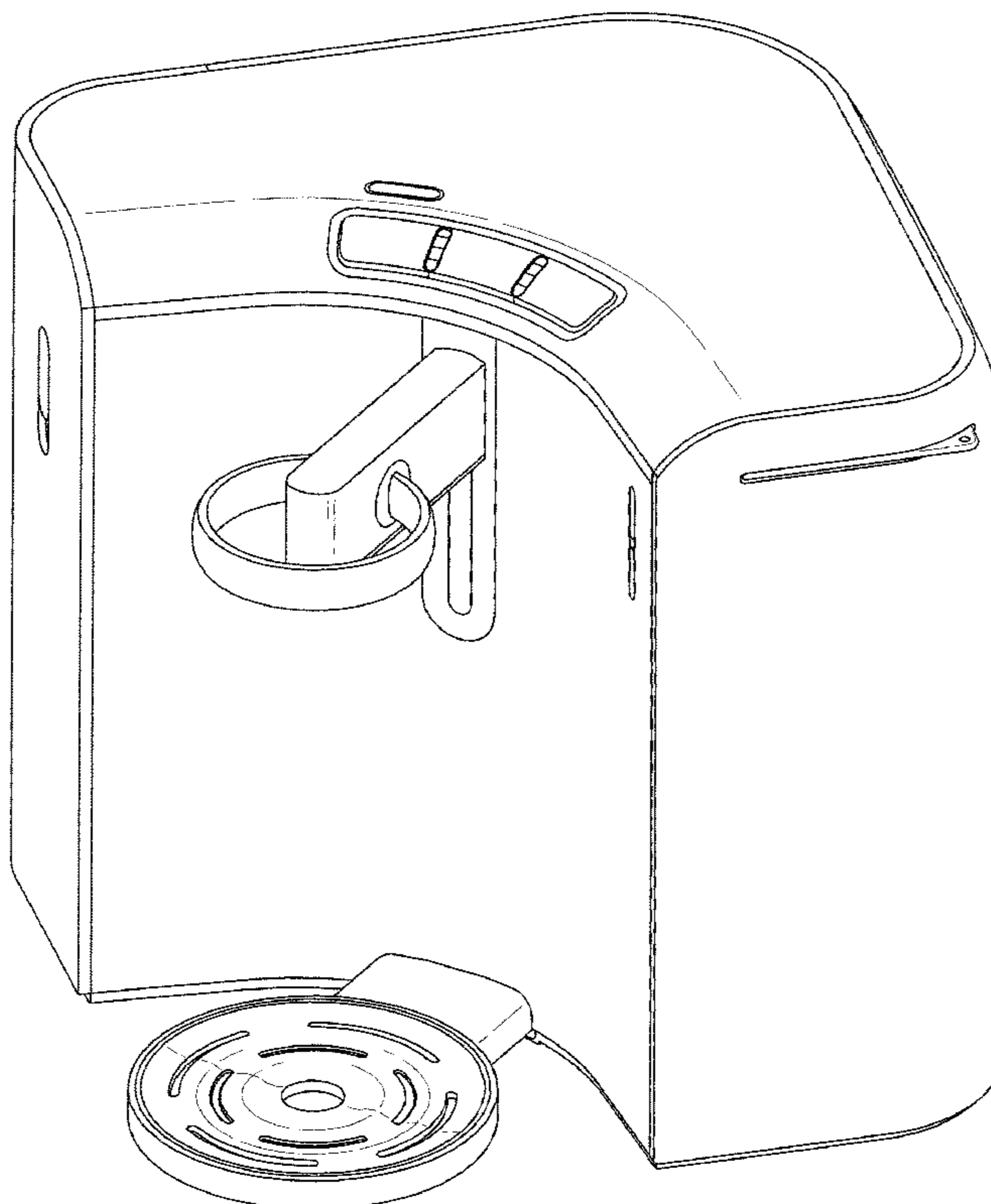
(57) **CLAIM**

The ornamental design for a water purifier, as shown and described.

DESCRIPTION

FIG. 1 is a perspective view of a water purifier showing my new design
FIG. 2 is a front view thereof
FIG. 3 is a rear view thereof
FIG. 4 is a left side view thereof
FIG. 5 is a right side view thereof
FIG. 6 is a top plan view thereof; and,
FIG. 7 is a bottom view thereof.

1 Claim, 7 Drawing Sheets



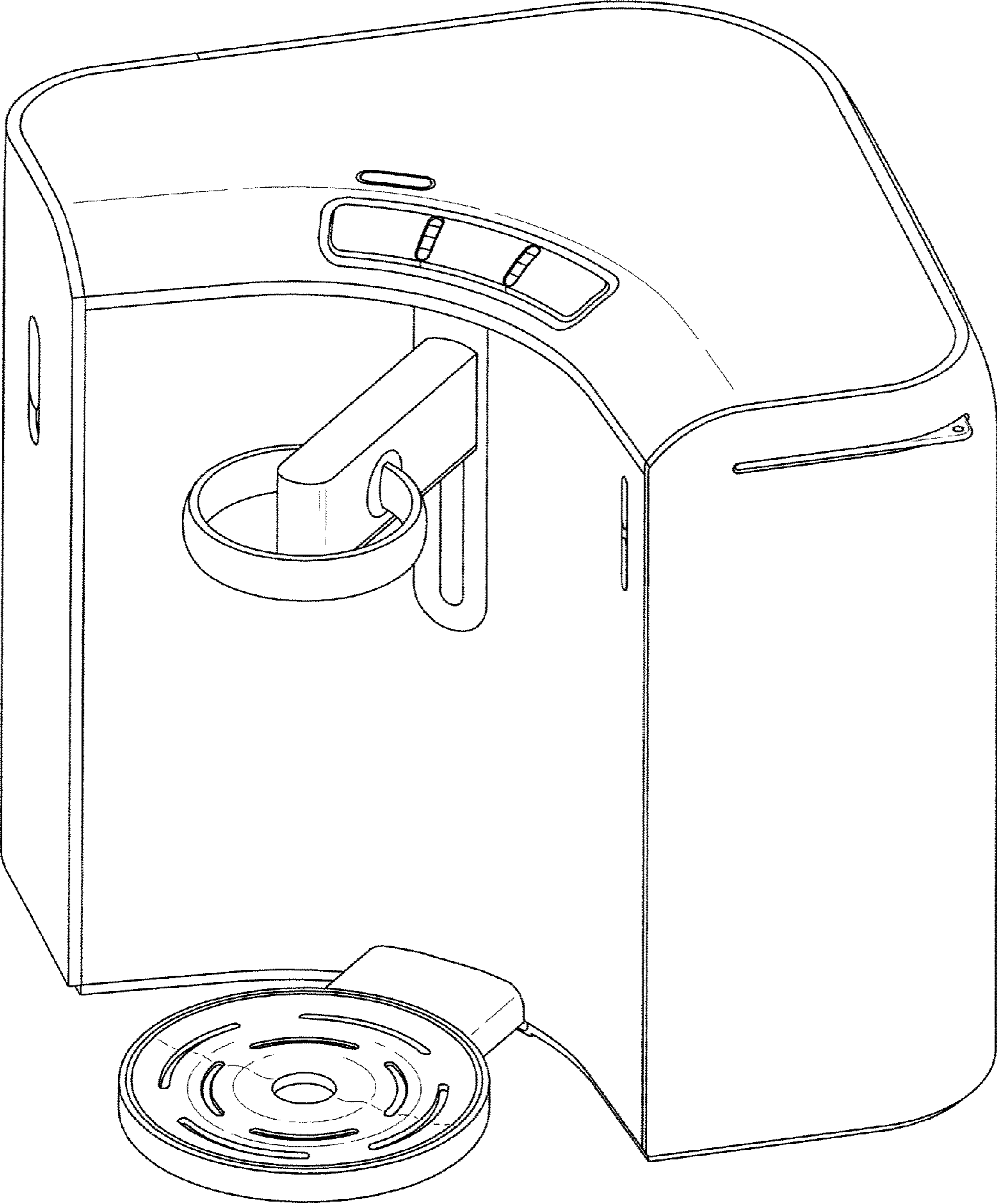


FIG. 1

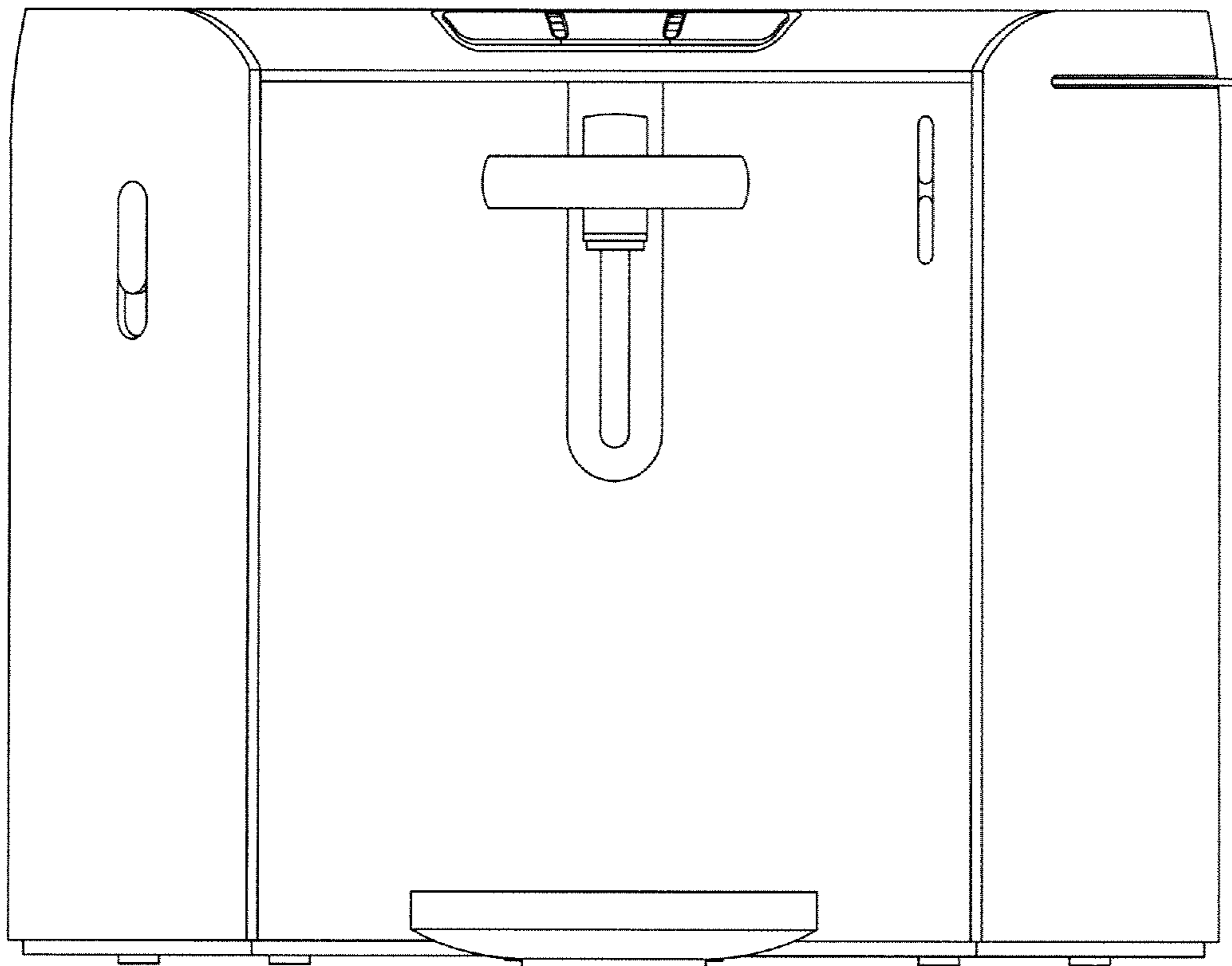


FIG. 2

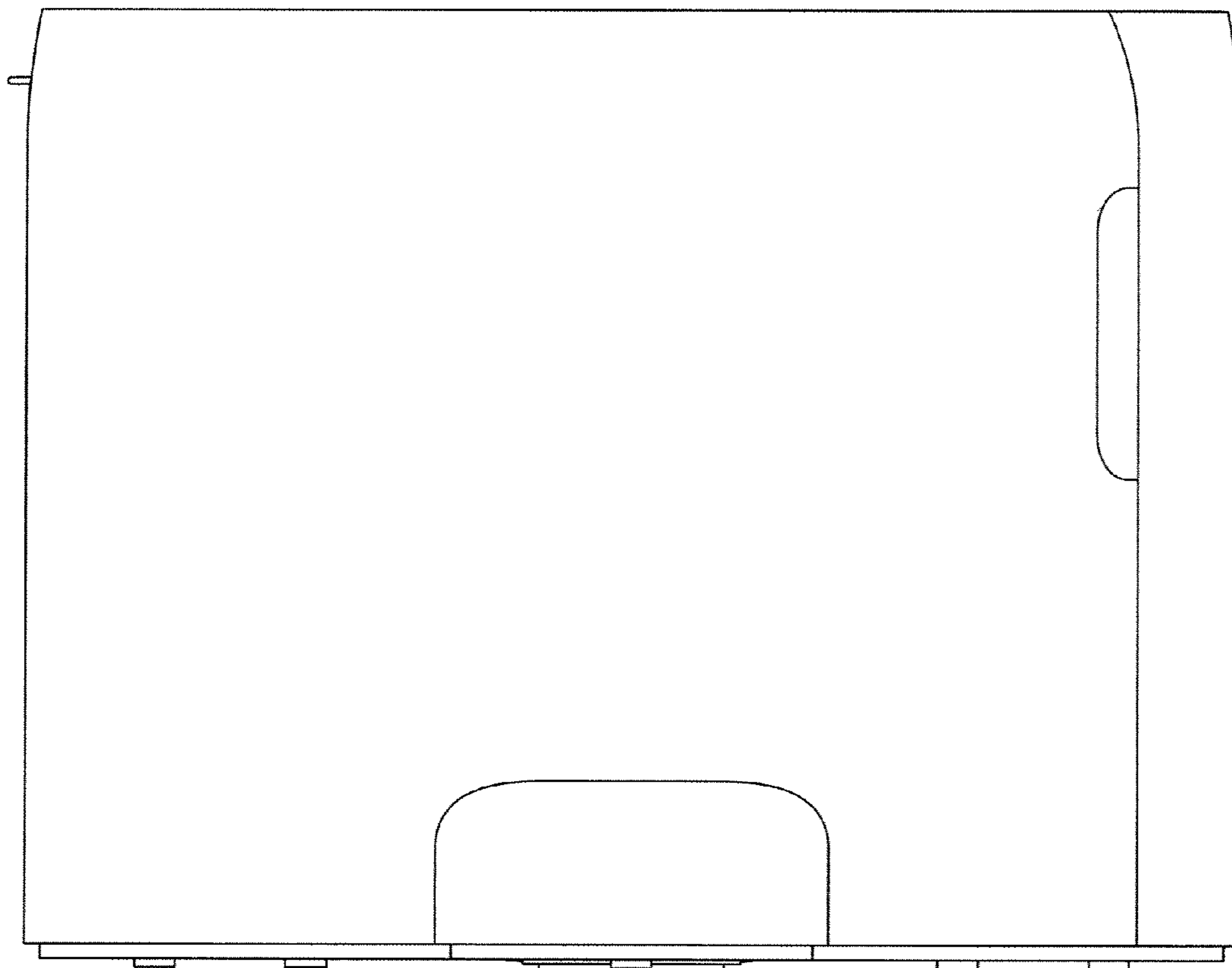


FIG. 3

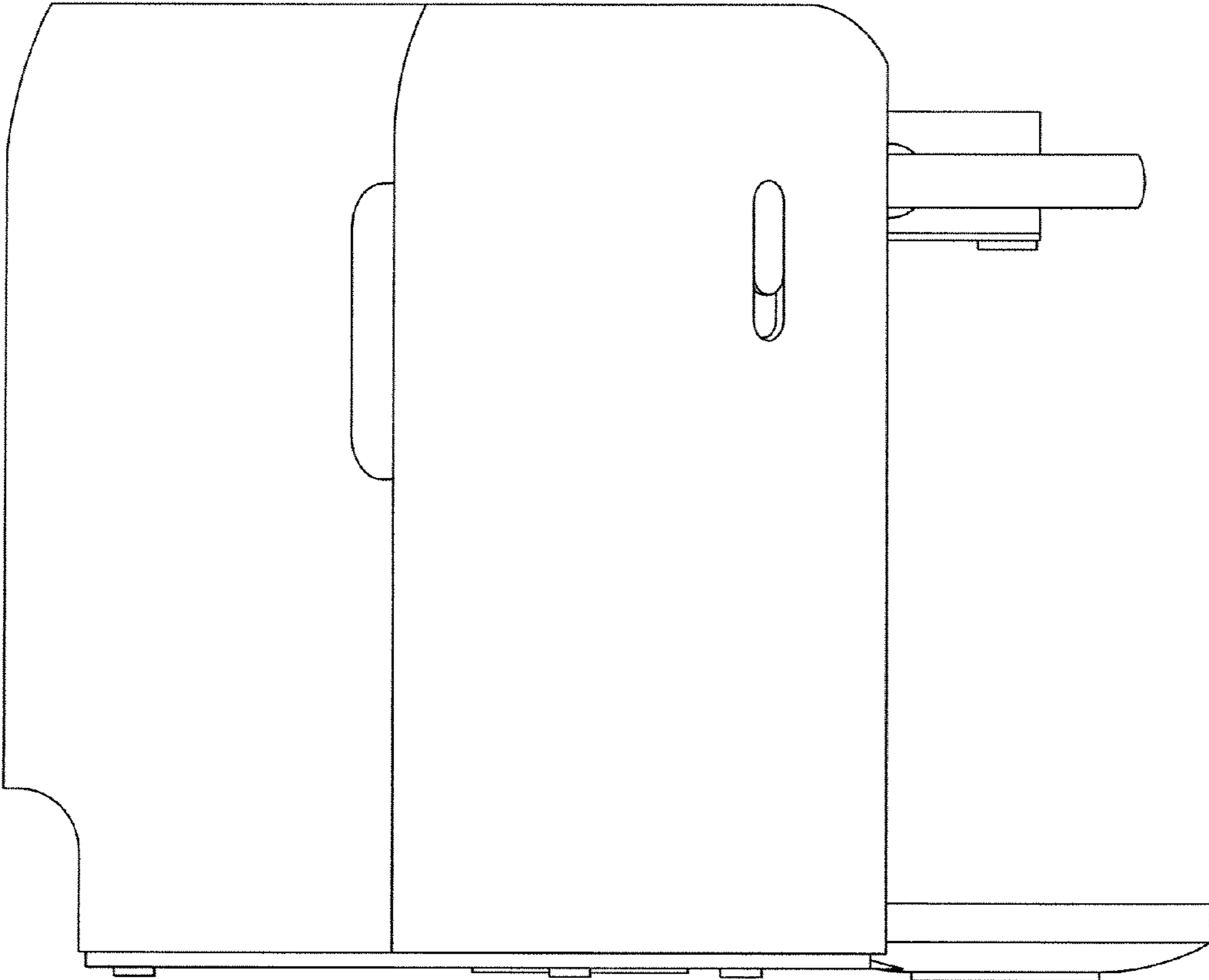


FIG. 4

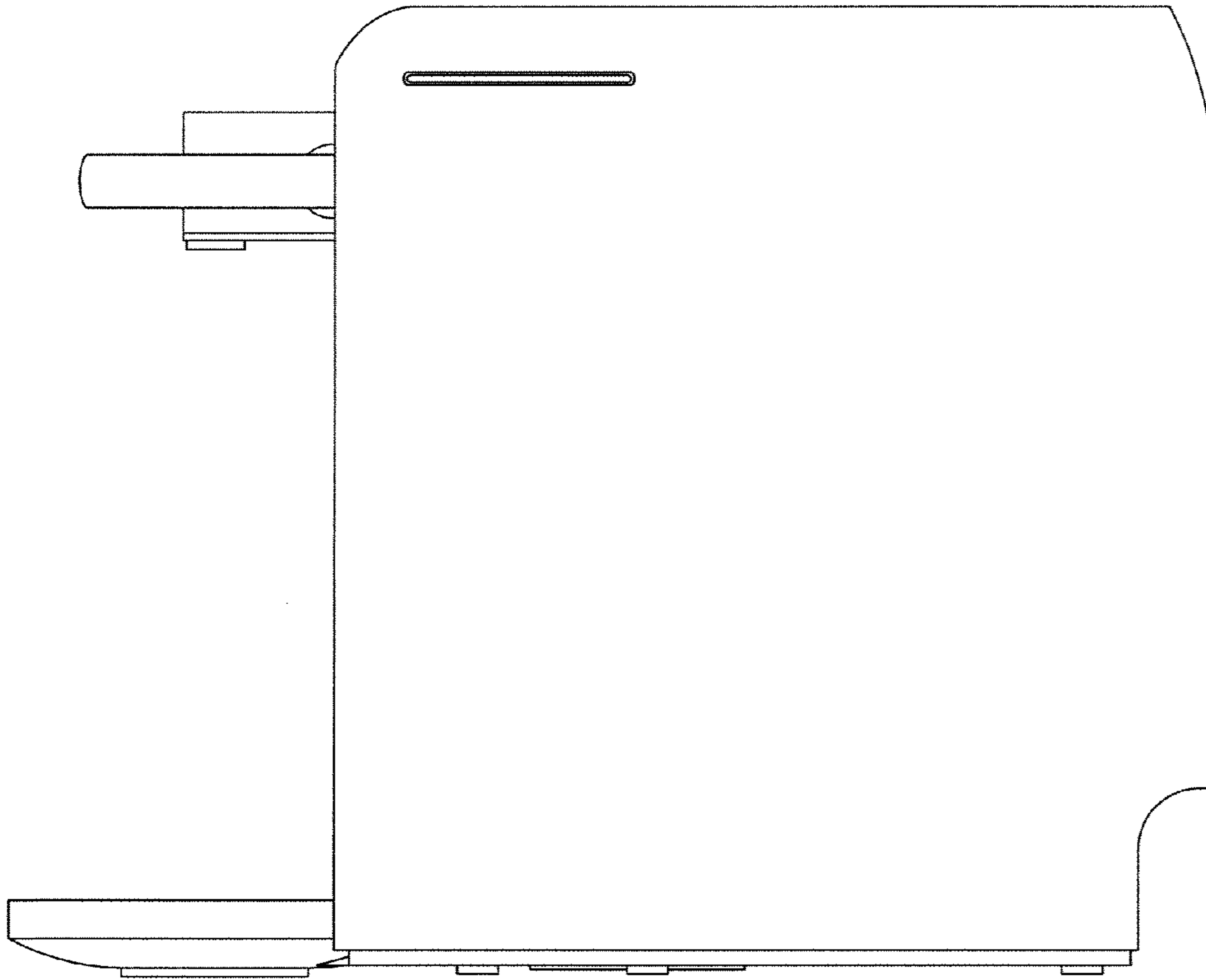


FIG. 5

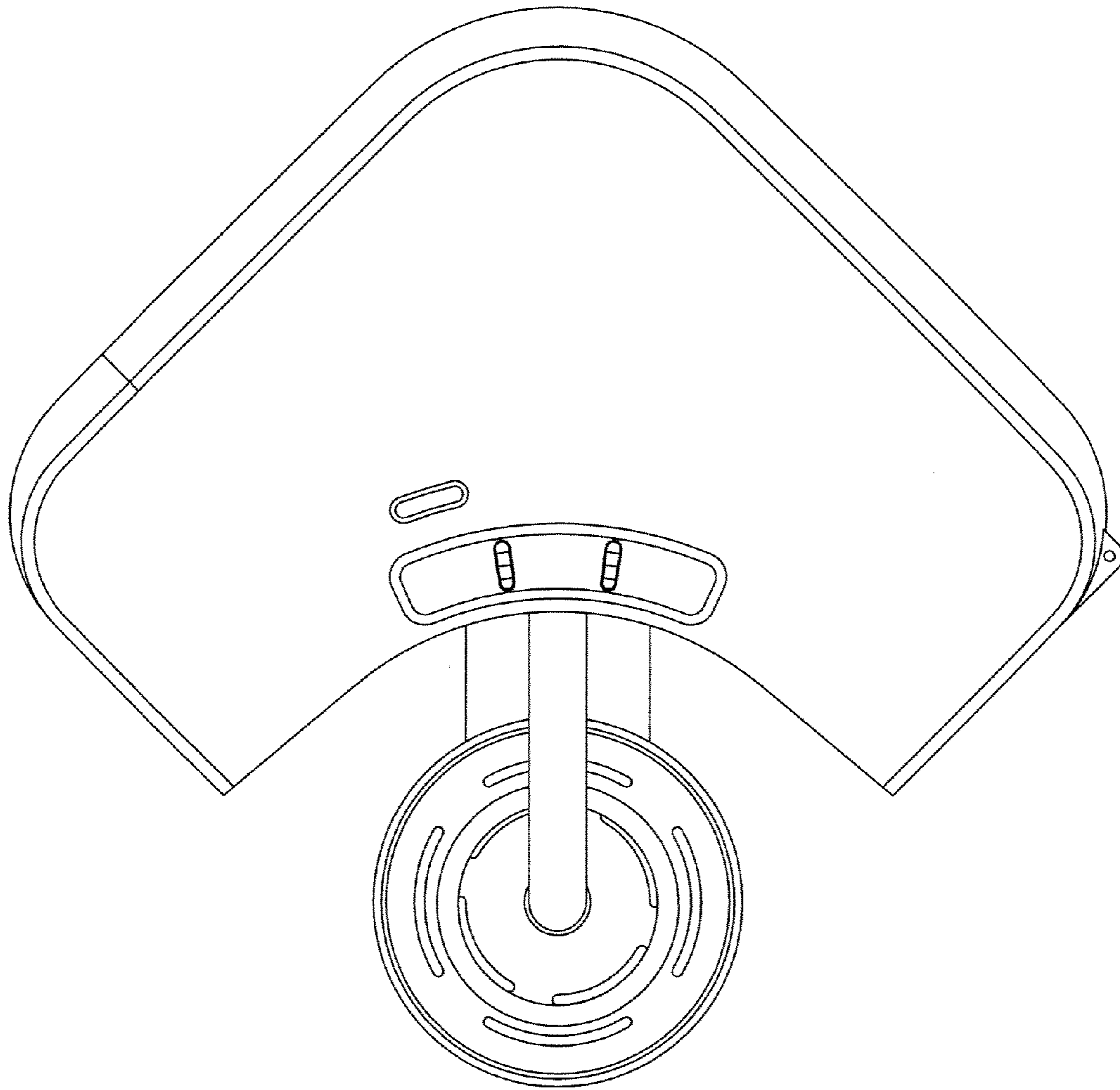


FIG. 6

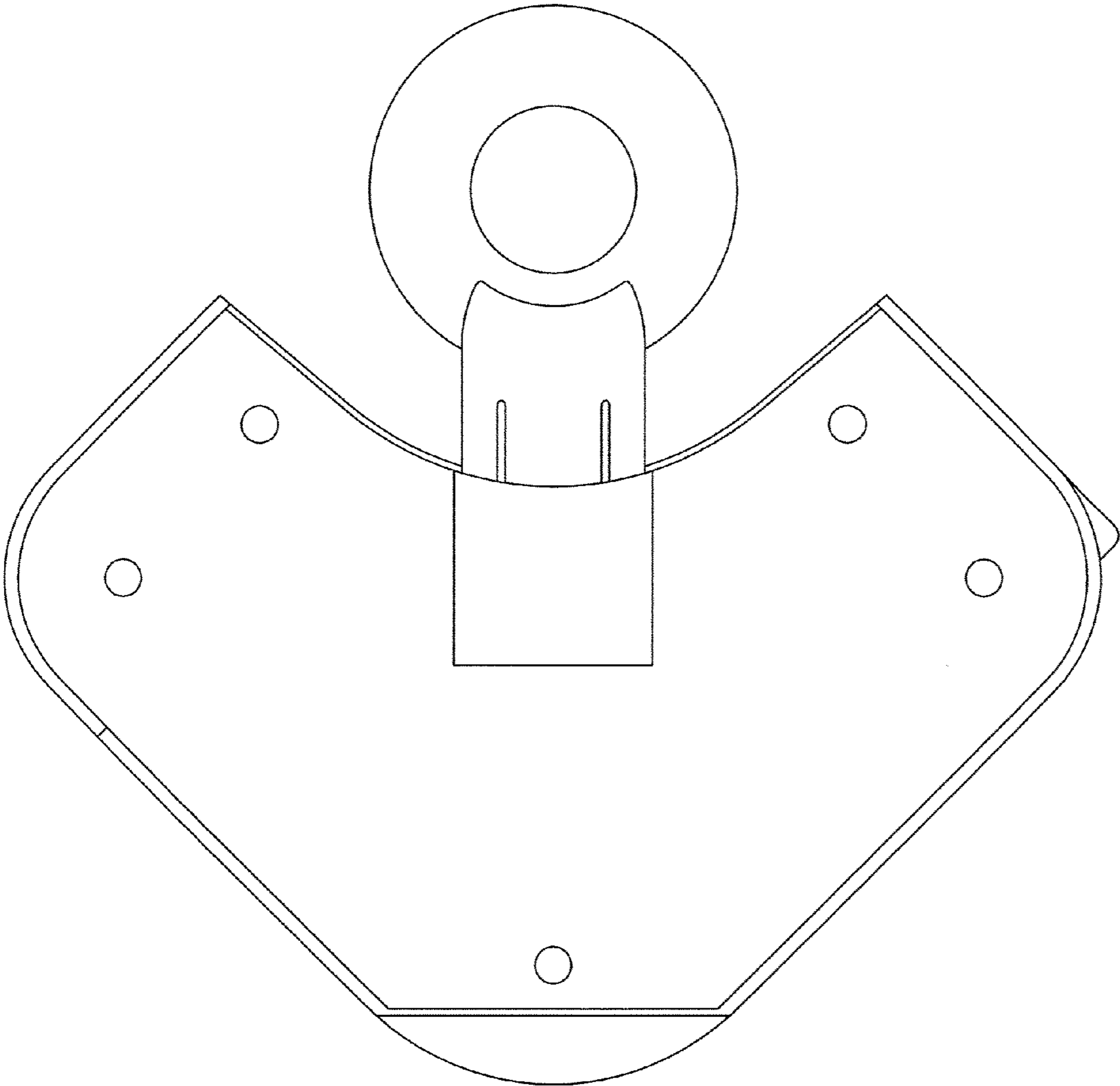


FIG. 7