



US00D647590S

(12) **United States Design Patent**
Watson et al.

(10) **Patent No.:** **US D647,590 S**
(45) **Date of Patent:** **** Oct. 25, 2011**

(54) **RODENT BAIT STATION**

(75) Inventors: **Duncan McLeod Watson**, Montvale, NJ
(US); **Claud Warren**, West Ryde (AU)

(73) Assignee: **Reckitt Benckiser (Australia) Pty. Ltd.**,
New South Wales (AU)

(**) Term: **14 Years**

(21) Appl. No.: **29/382,007**

(22) Filed: **Dec. 28, 2010**
(Under 37 CFR 1.47)

(30) **Foreign Application Priority Data**

Jun. 29, 2010 (EM) 001725896-0001

(51) **LOC (9) Cl.** **22-06**

(52) **U.S. Cl.** **D22/119**

(58) **Field of Classification Search** D22/119;
43/58, 60-61, 65-66, 69-70, 121, 124, 131,
43/132.1

See application file for complete search history.

(56) **References Cited**

U.S. PATENT DOCUMENTS

4,413,439 A * 11/1983 Lindley 43/61
6,955,007 B2 * 10/2005 Gehret et al. 43/61
D604,795 S * 11/2009 Brandt et al. D22/119
D621,900 S * 8/2010 Cink et al. D22/119
D623,256 S * 9/2010 Watson et al. D22/119
D632,756 S * 2/2011 Studer et al. D22/119

* cited by examiner

Primary Examiner — Catheri Oliver

(74) *Attorney, Agent, or Firm* — Norris, McLaughlin &
Marcus, P.A.

(57) **CLAIM**

The ornamental design for a rodent bait station, as shown and
described.

DESCRIPTION

FIG. 1 is a front and right side perspective view of our rodent
bait station;

FIG. 2 is a front elevational view thereof;

FIG. 3 is a rear elevational view thereof;

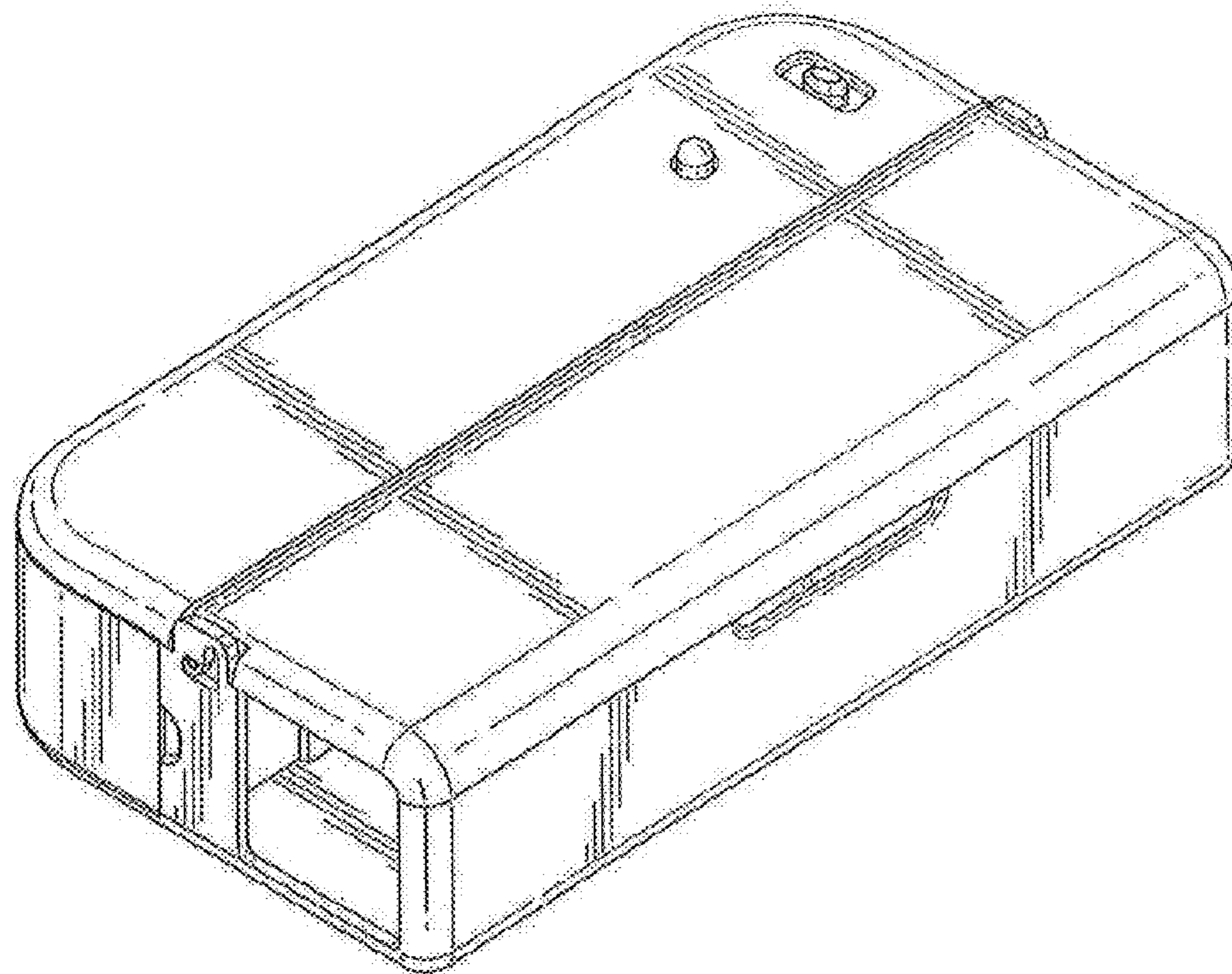
FIG. 4 is a right side elevational view thereof;

FIG. 5 is a left side elevational view thereof;

FIG. 6 is a top plan view thereof; and,

FIG. 7 is a bottom plan view thereof.

1 Claim, 2 Drawing Sheets



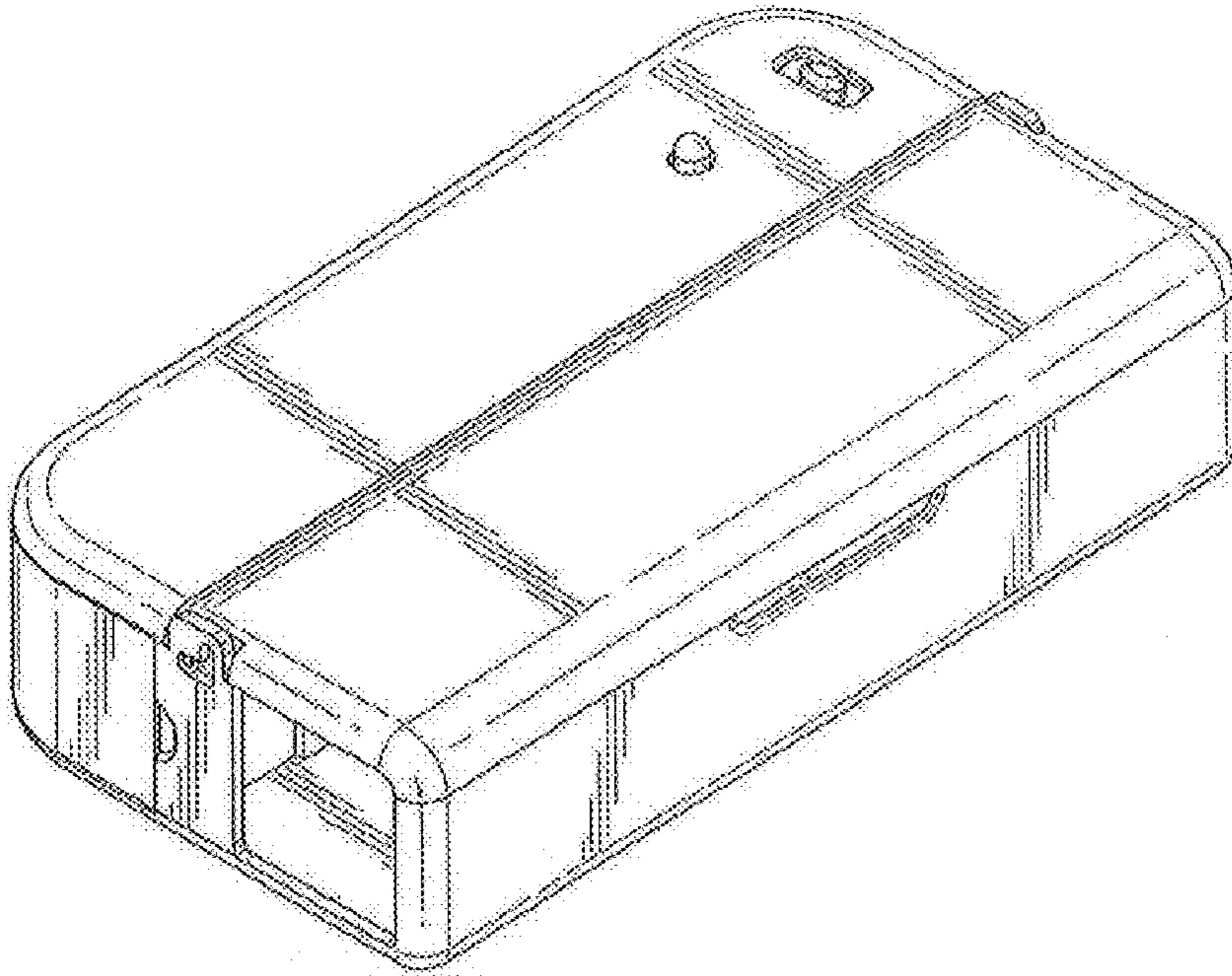


Fig. 1

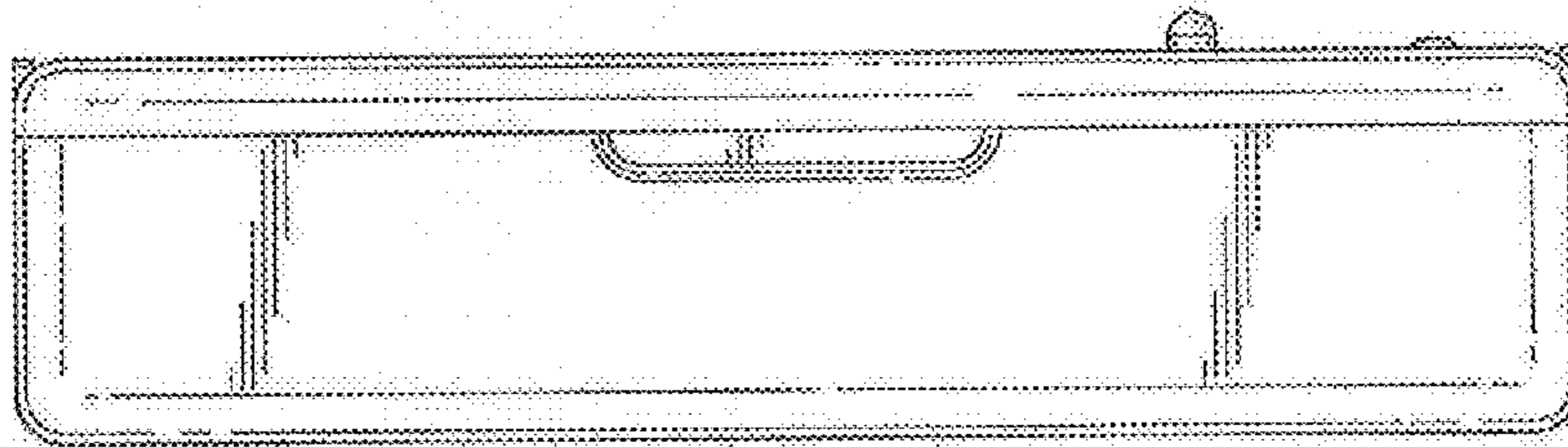


Fig. 2

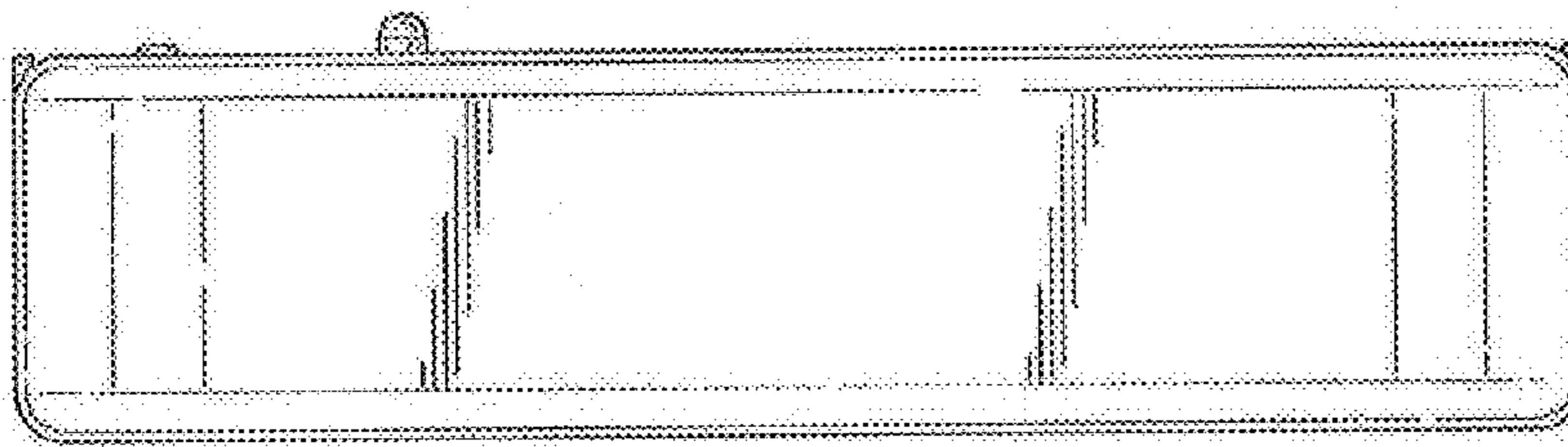


Fig. 3

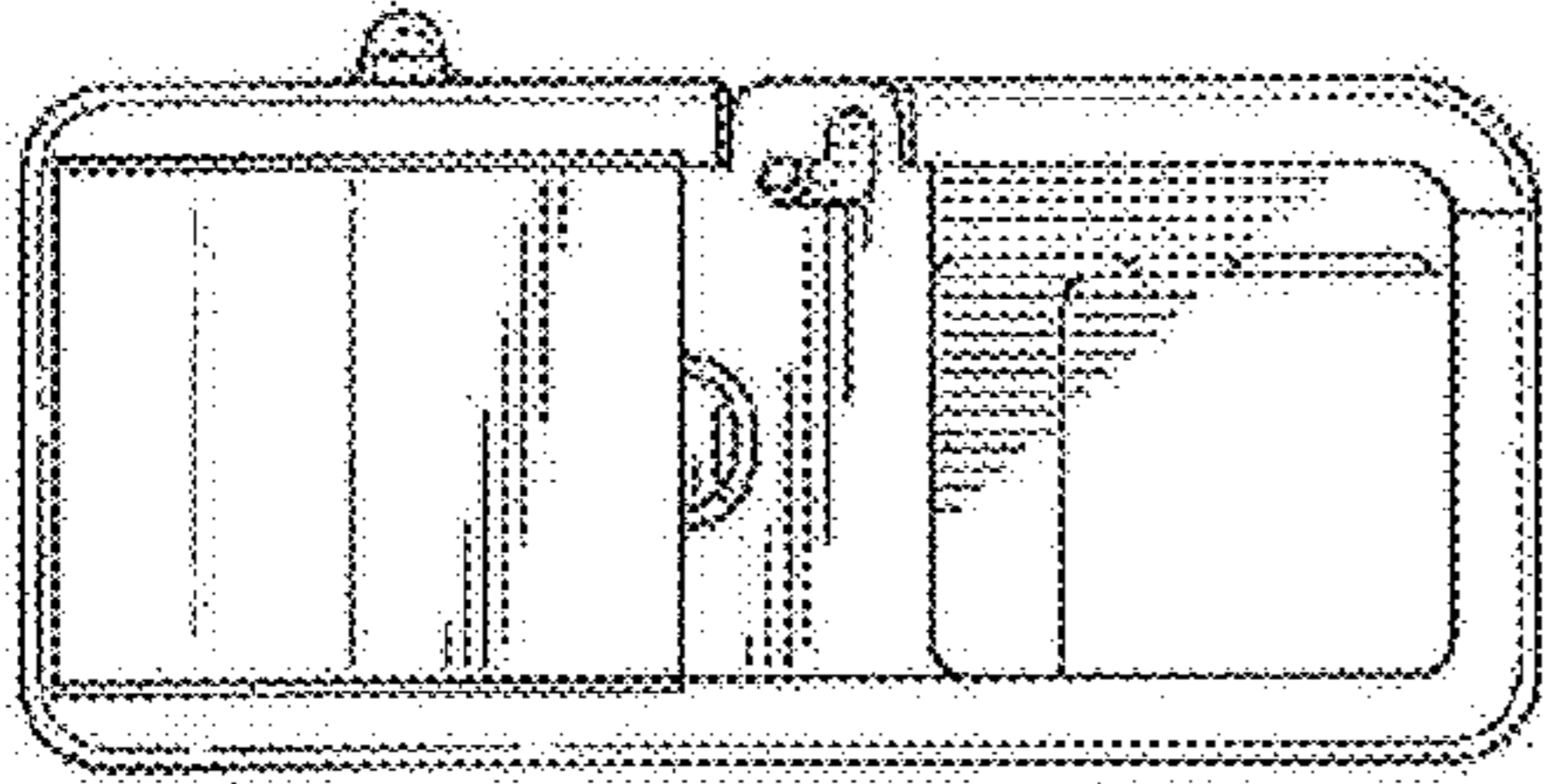


Fig. 4

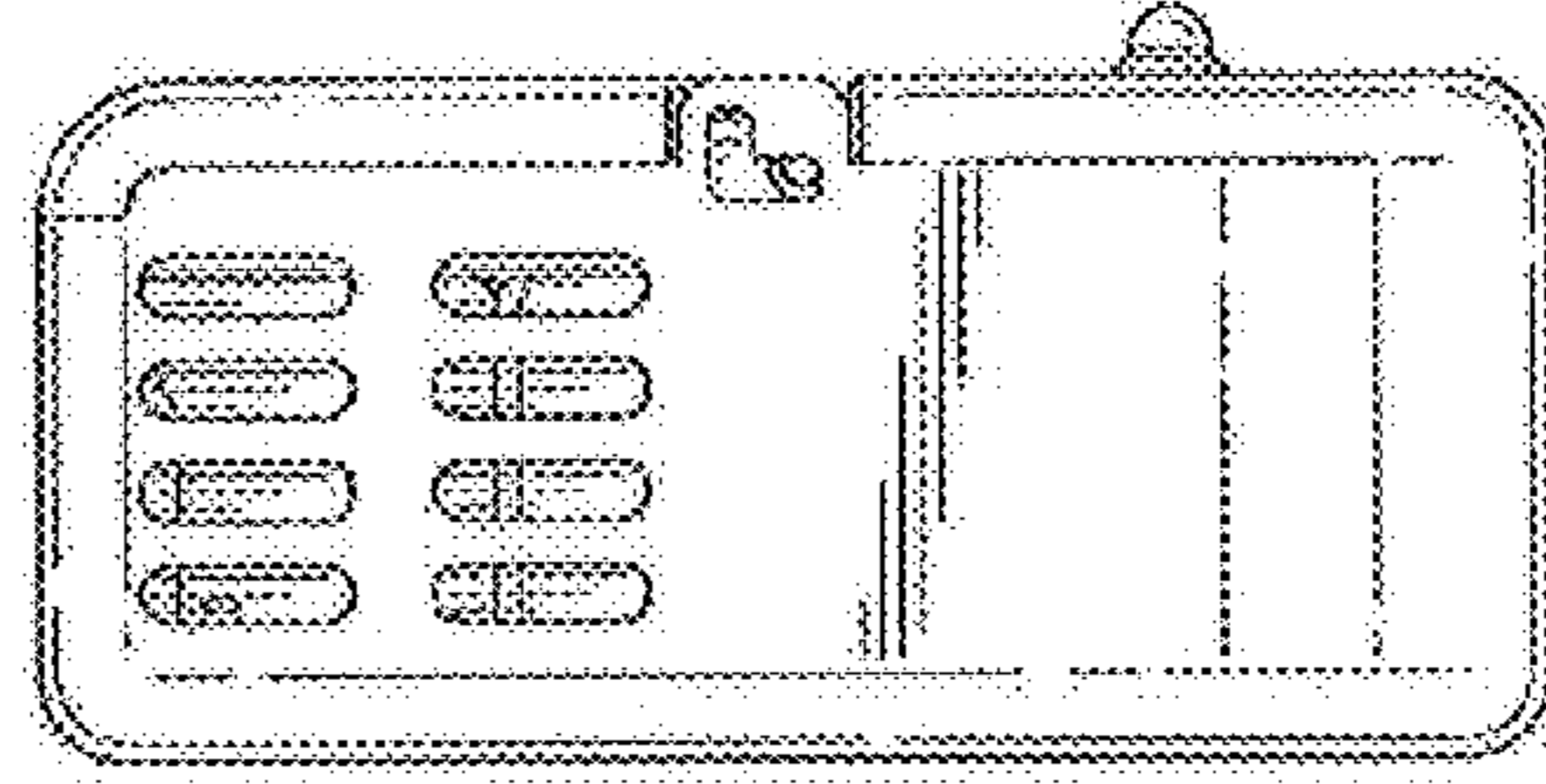


Fig. 5

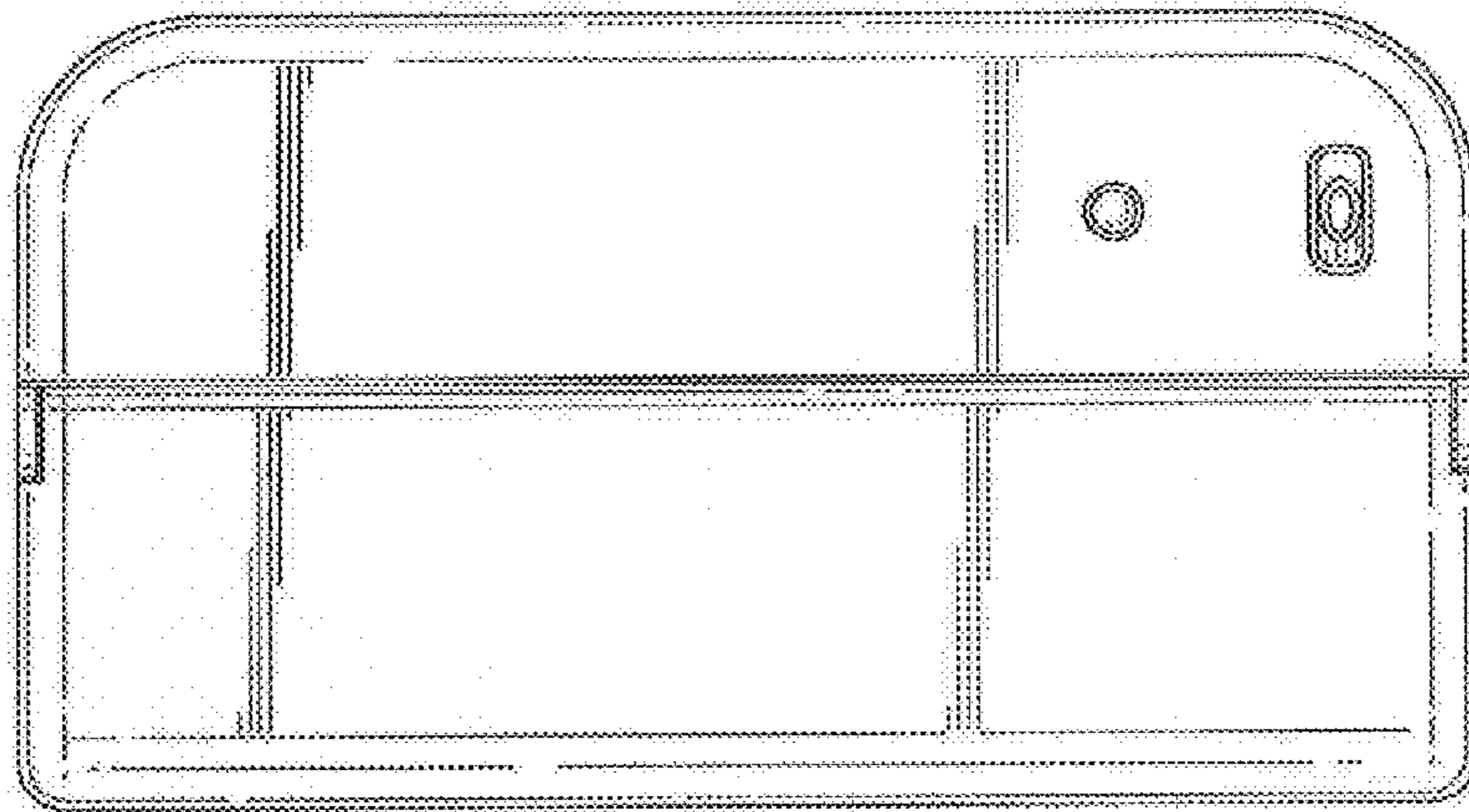


Fig. 6

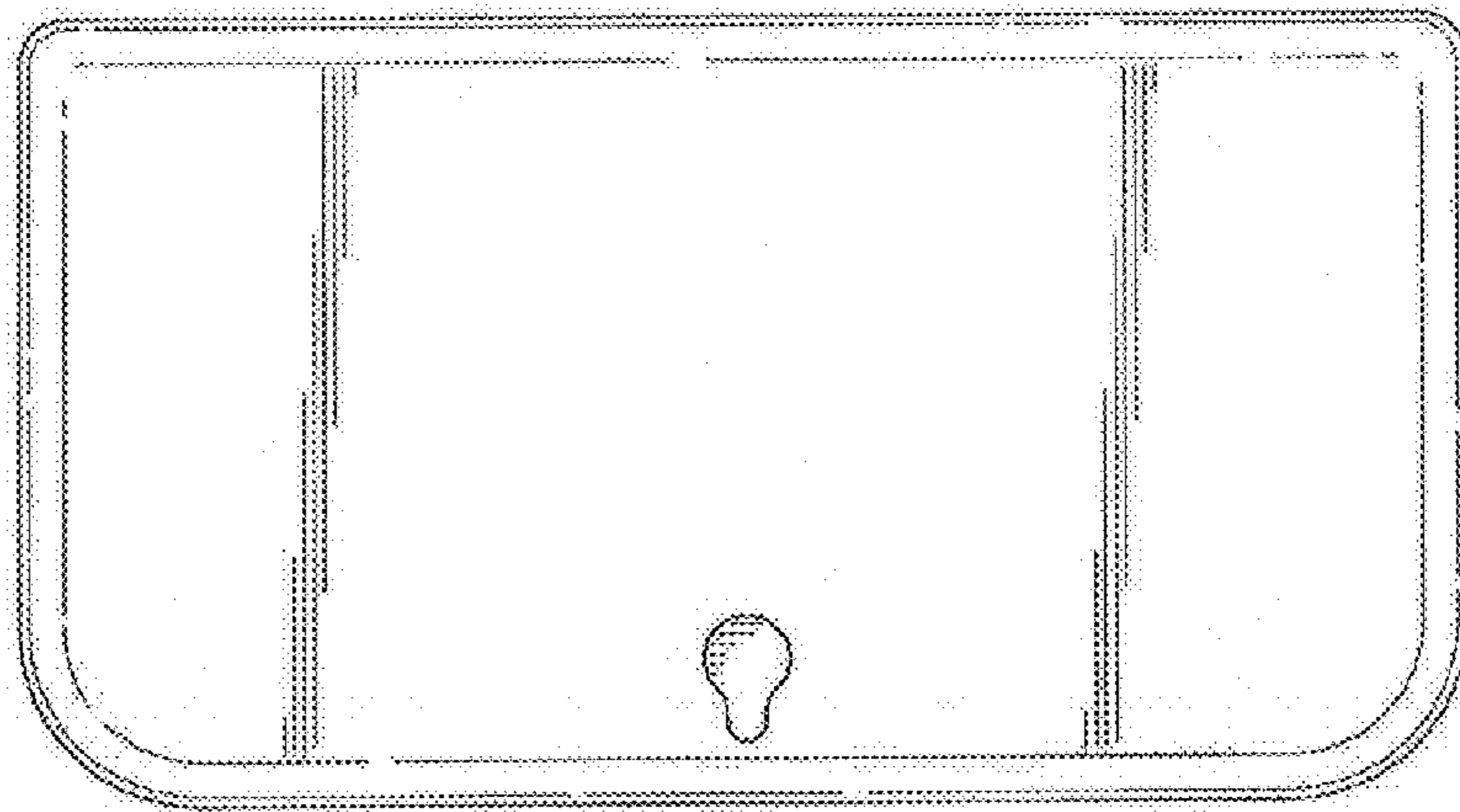


Fig. 7