



US00D647589S

(12) **United States Design Patent**
Rogers et al.

(10) **Patent No.:** **US D647,589 S**

(45) **Date of Patent:** **** *Oct. 25, 2011**

(54) **MAGAZINE WELL GRIP**

(76) Inventors: **William H. Rogers**, St. Augustine, FL (US); **Matthew E. McKendrick**, Jacksonville, FL (US)

(**) Term: **14 Years**

(21) Appl. No.: **29/353,821**

(22) Filed: **Jan. 14, 2010**

(51) **LOC (9) Cl.** **22-01**

(52) **U.S. Cl.** **D22/108**

(58) **Field of Classification Search** D22/100, D22/108, 109, 110, 199; 42/11, 113, 116, 42/119, 124, 125, 127, 90, 145, 128, 72, 42/106, 114, 85, 75.02, 71.01; 248/205.1, 248/201

See application file for complete search history.

(56) **References Cited**

U.S. PATENT DOCUMENTS

5,768,817 A * 6/1998 Simons 42/71.02
D439,628 S * 3/2001 Tugwell D22/108
6,752,137 B2 * 6/2004 Brunette et al. 124/74

D623,253 S * 9/2010 Hoffman D22/108
2004/0107621 A1 * 6/2004 Segalle 42/71.02
2010/0146835 A1 * 6/2010 Mc Nulty, Jr. 42/1.08

* cited by examiner

Primary Examiner — T. Chase Nelson

Assistant Examiner — Michael A Pratt

(74) *Attorney, Agent, or Firm* — Arthur G. Yeager

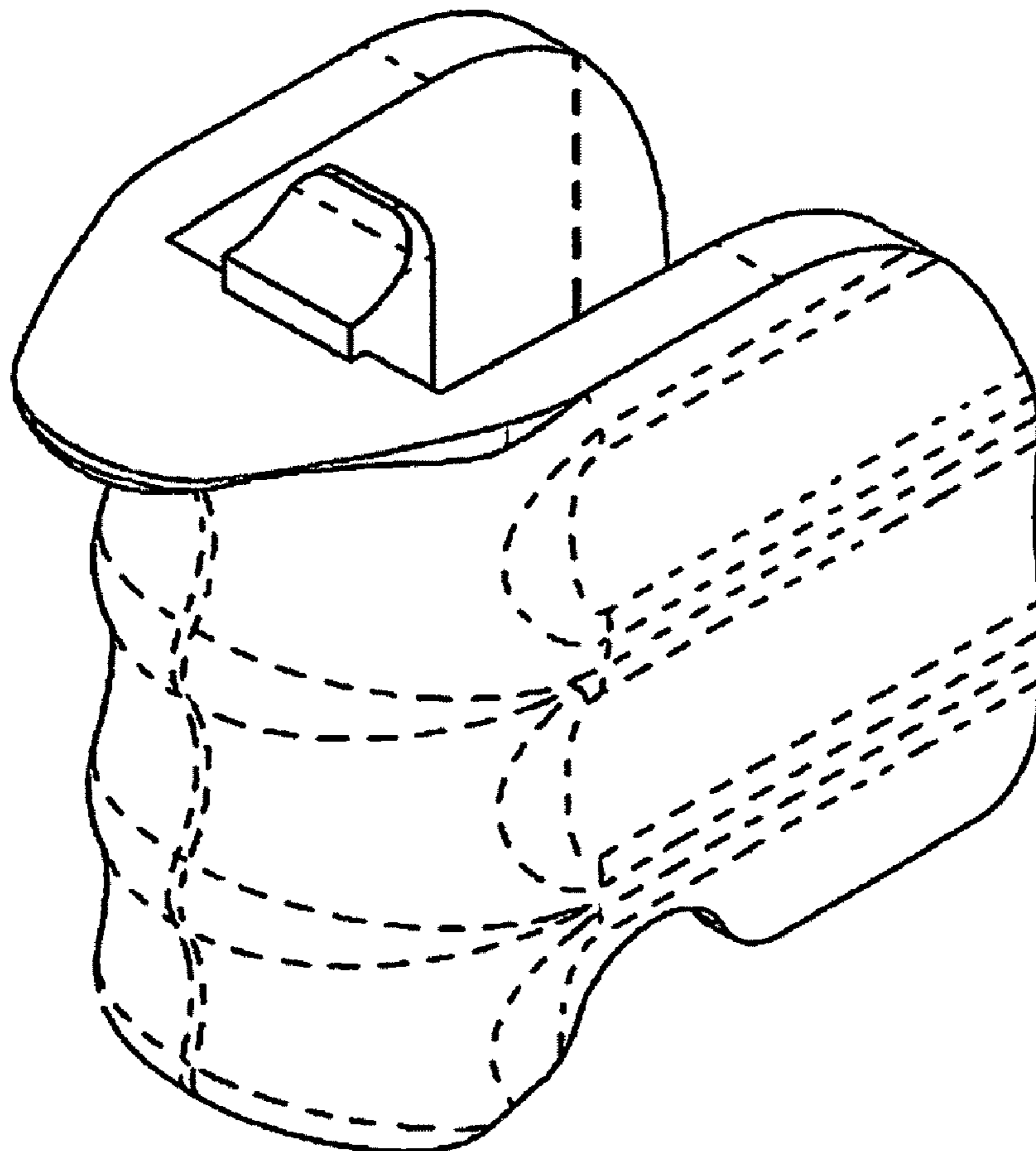
(57) **CLAIM**

The ornamental design for a magazine well grip, as shown and described.

DESCRIPTION

FIG. 1 is a top, front, left perspective view thereof;
FIG. 2 is a bottom, rear, left perspective view thereof;
FIG. 3 is left side view thereof;
FIG. 4 is front view thereof;
FIG. 5 is rear view thereof;
FIG. 6 is a top view thereof;
FIG. 7 is a bottom view thereof; and,
FIG. 8 is a right side view thereof, in an environment of use.
The portions of the magazine well grip shown in broken lines in FIGS. 1 through 8 and a firearm in FIG. 8 form no part of the claimed design.

1 Claim, 3 Drawing Sheets



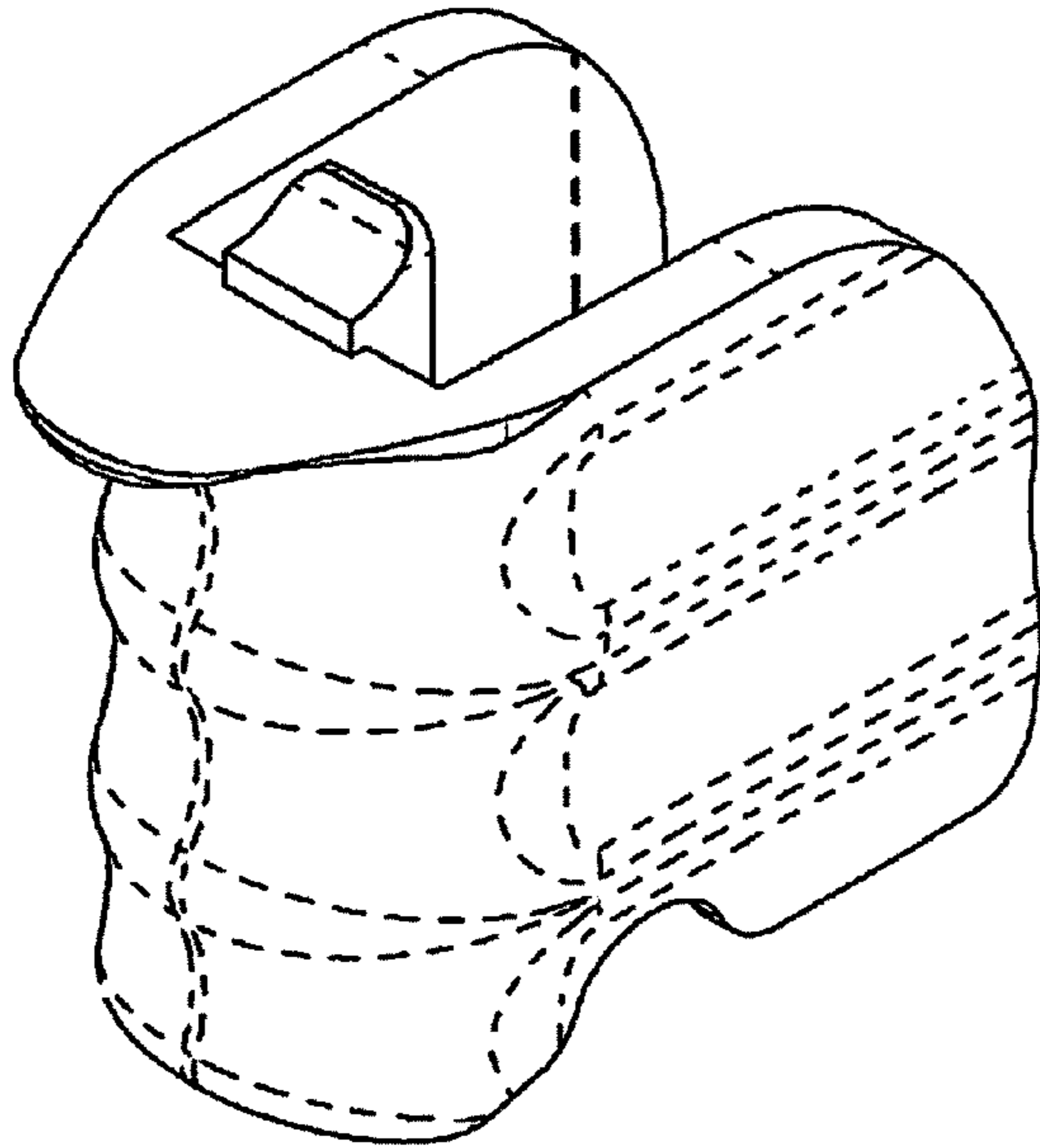


FIG. 1

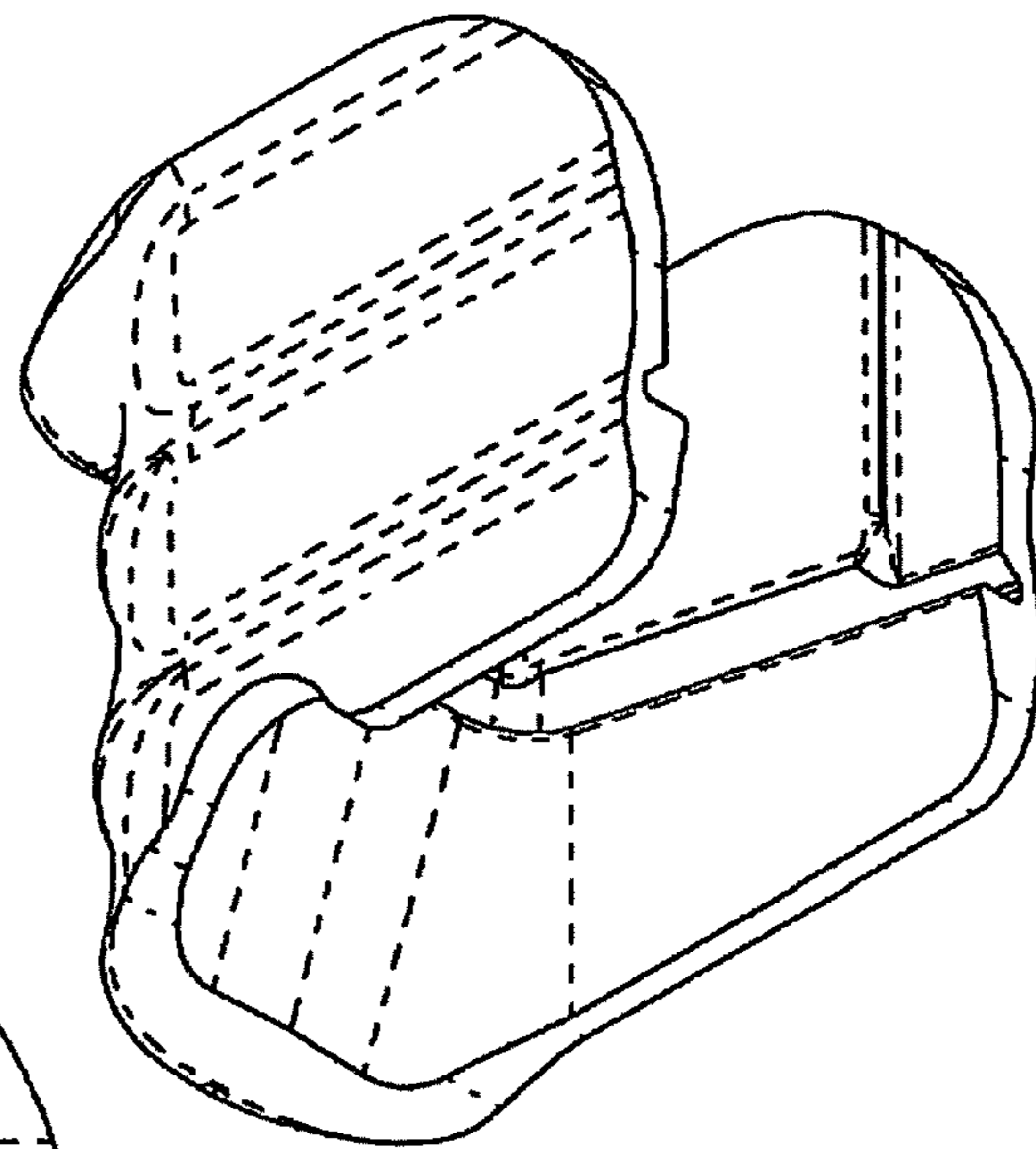


FIG. 2

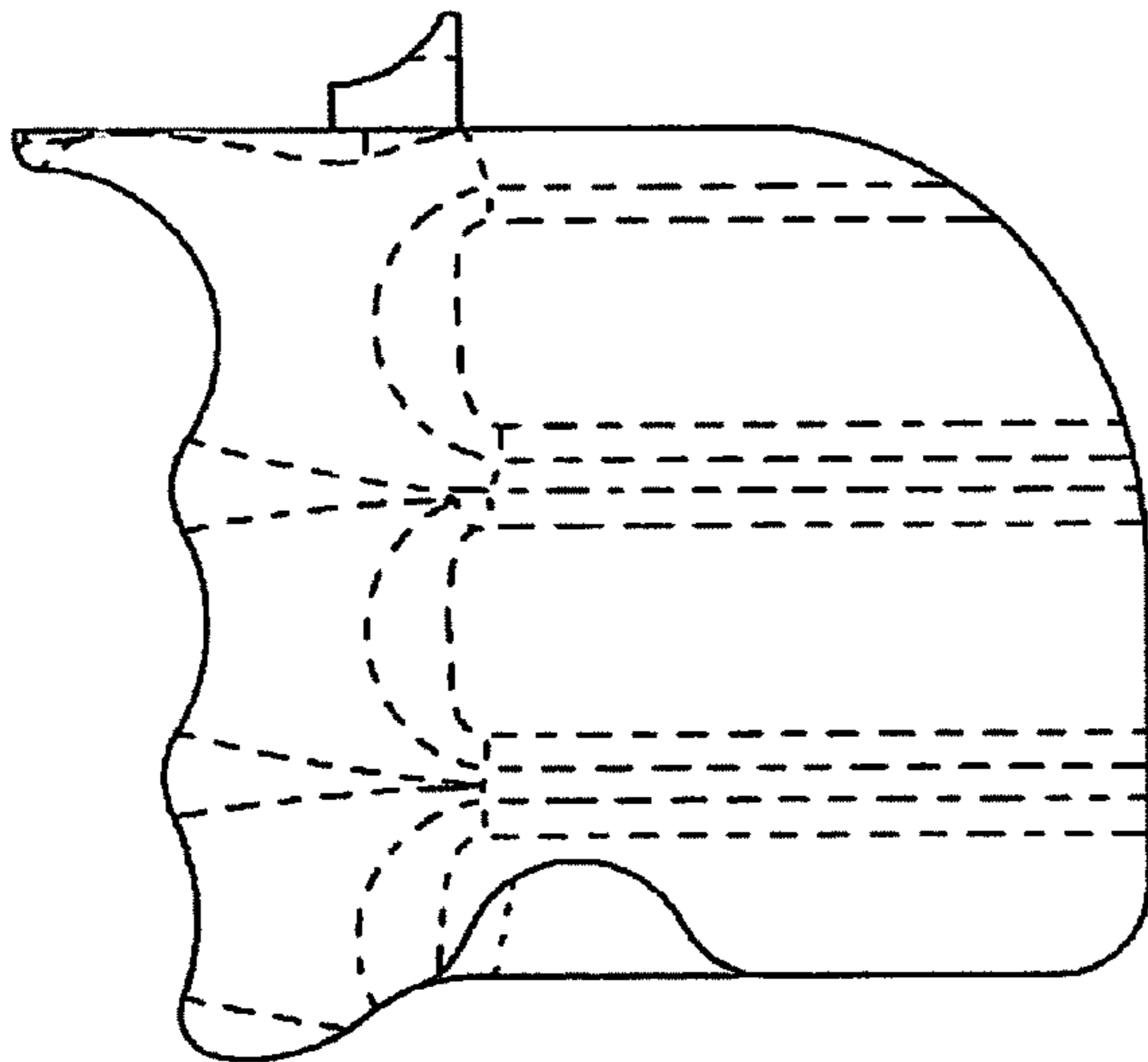


FIG. 3

FIG. 4

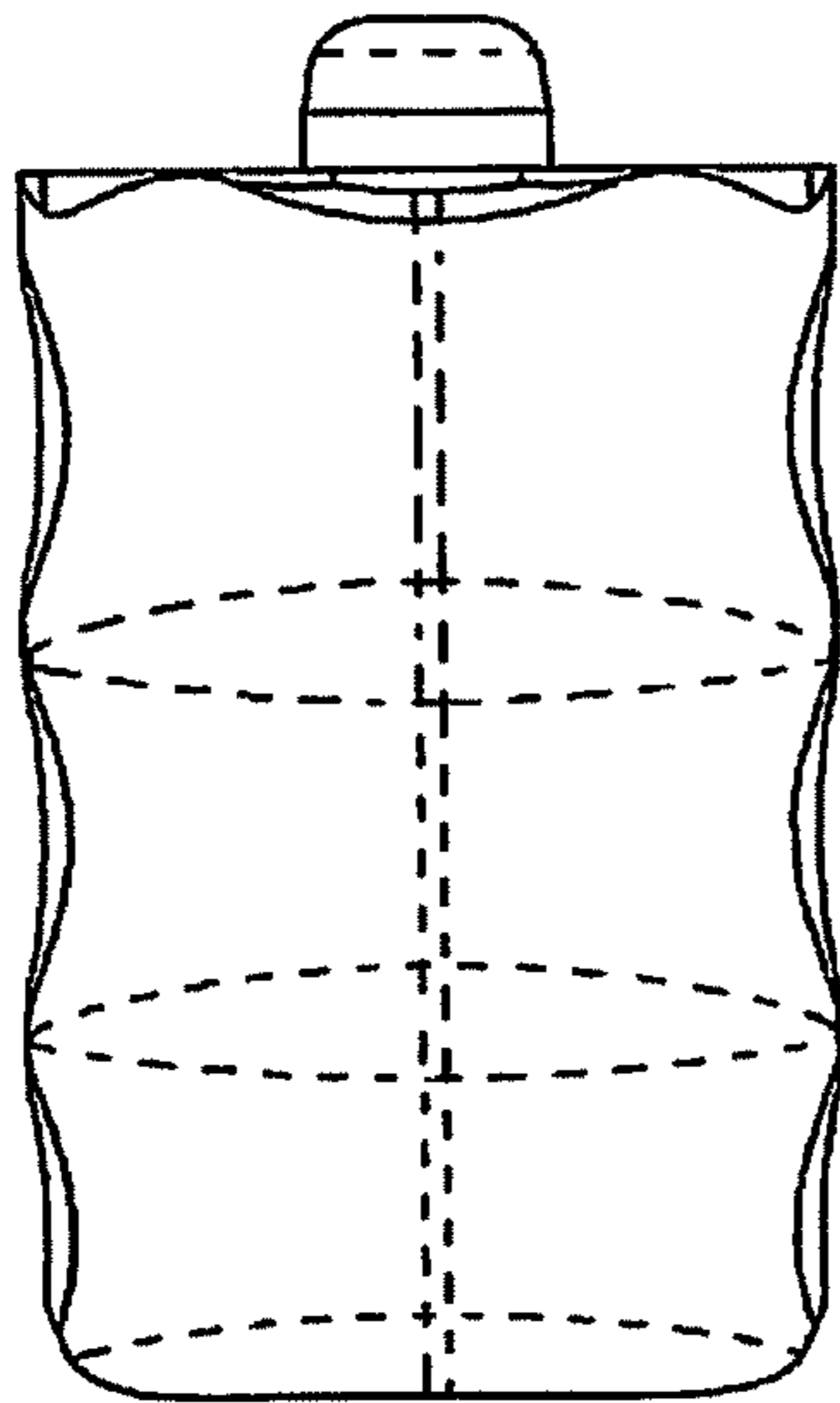


FIG. 5

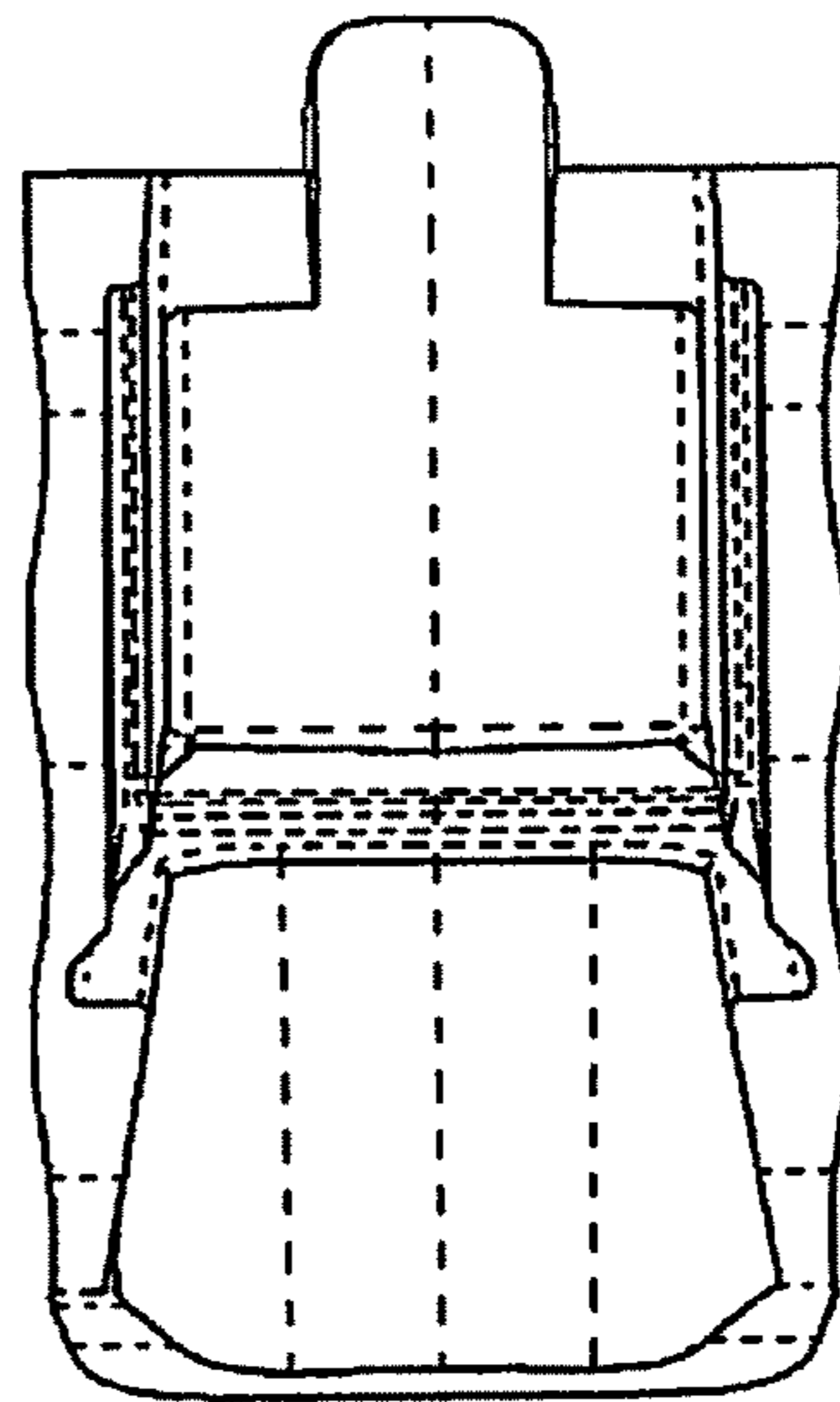


FIG. 6

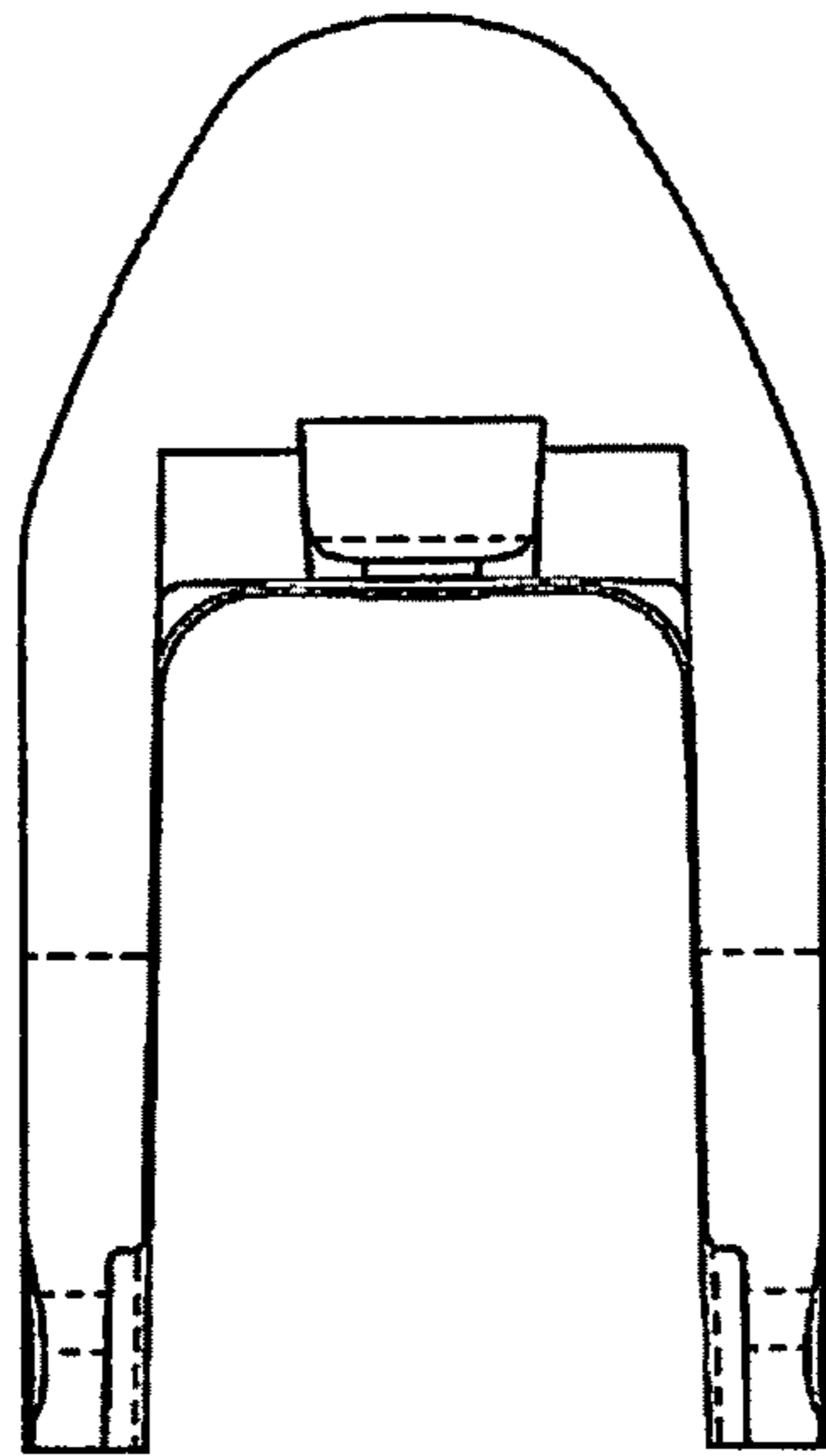


FIG. 7

