



US00D647575S

(12) **United States Design Patent**
Inoue

(10) **Patent No.:** **US D647,575 S**

(45) **Date of Patent:** **** Oct. 25, 2011**

(54) **TRAIN TOY**

(75) Inventor: **Takuya Inoue**, Tokyo (JP)

(73) Assignee: **Tomy Company, Ltd.**, Tokyo (JP)

(**) Term: **14 Years**

(21) Appl. No.: **29/347,818**

(22) Filed: **Jun. 14, 2010**

(30) **Foreign Application Priority Data**

Dec. 16, 2009 (JP) 2009-029205

(51) **LOC (9) Cl.** **21-01**

(52) **U.S. Cl.** **D21/541**

(58) **Field of Classification Search** D21/419,
D21/427, 541, 424, 425, 426, 433, 540, 551;
D12/36-38; 446/410, 451, 465, 467; 280/828,
280/47.25, 87.01, 43.23, 256, 82, 7
See application file for complete search history.

(56) **References Cited**

U.S. PATENT DOCUMENTS

D425,946 S * 5/2000 Wei D21/541
D588,650 S * 3/2009 Yen D21/427
D631,295 S * 1/2011 Kushner D7/539

* cited by examiner

Primary Examiner — Lisa Lichtenstein

(74) *Attorney, Agent, or Firm* — Staas & Halsey LLP

(57) **CLAIM**

The ornamental design for a train toy, as shown.

DESCRIPTION

FIG. 1 is a front perspective view of the train toy showing my design;

FIG. 2 is rear perspective view thereof;

FIG. 3 is front view thereof;

FIG. 4 is rear view thereof;

FIG. 5 is a left side view thereof;

FIG. 6 is right side view thereof;

FIG. 7 is a top view thereof;

FIG. 8 is bottom view thereof; and,

FIG. 9 is a perspective view thereof with a front compartment opened.

The broken line showing of a toy figure is included for the purpose of illustrating environmental structure and forms no part of the claimed design.

1 Claim, 7 Drawing Sheets

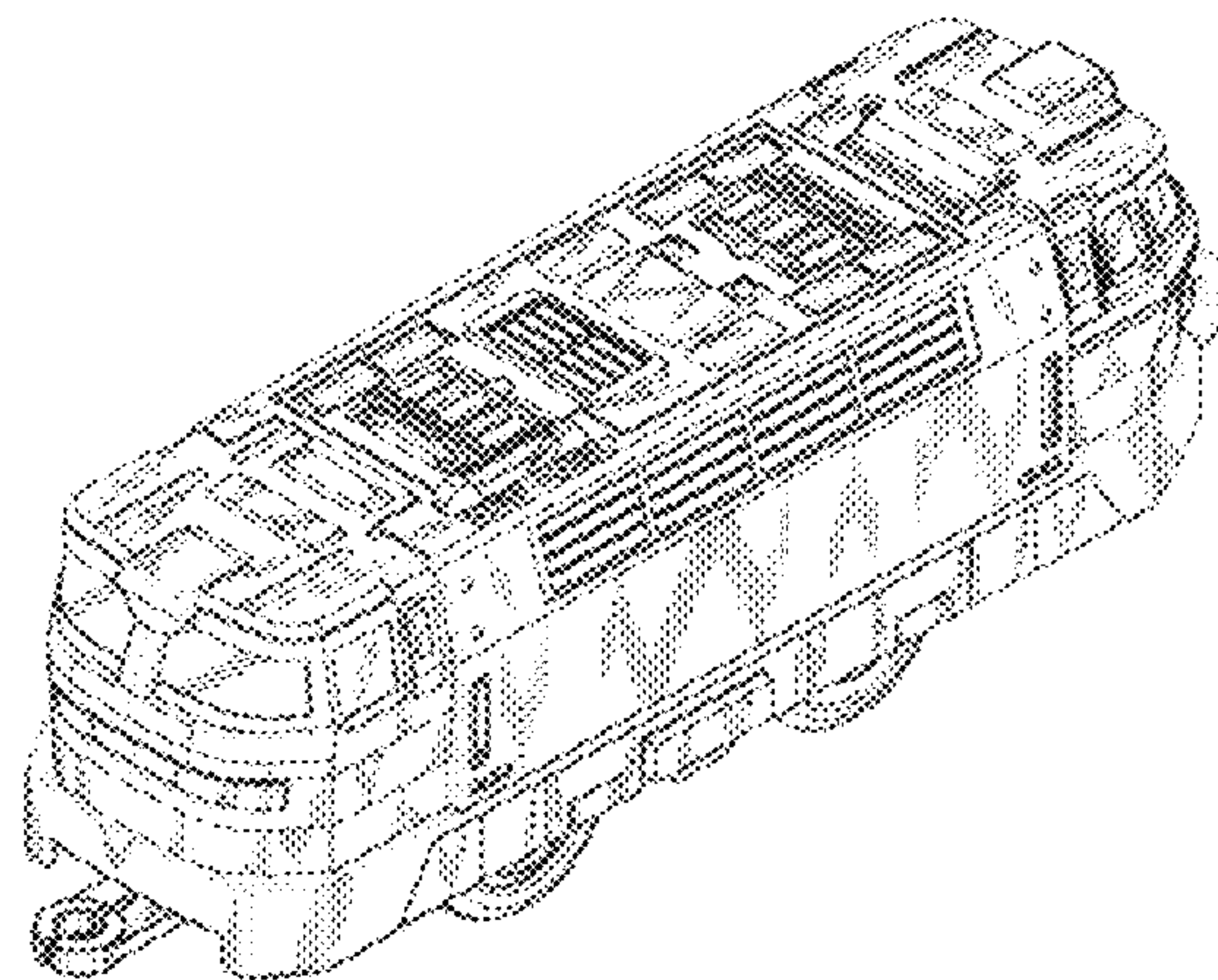
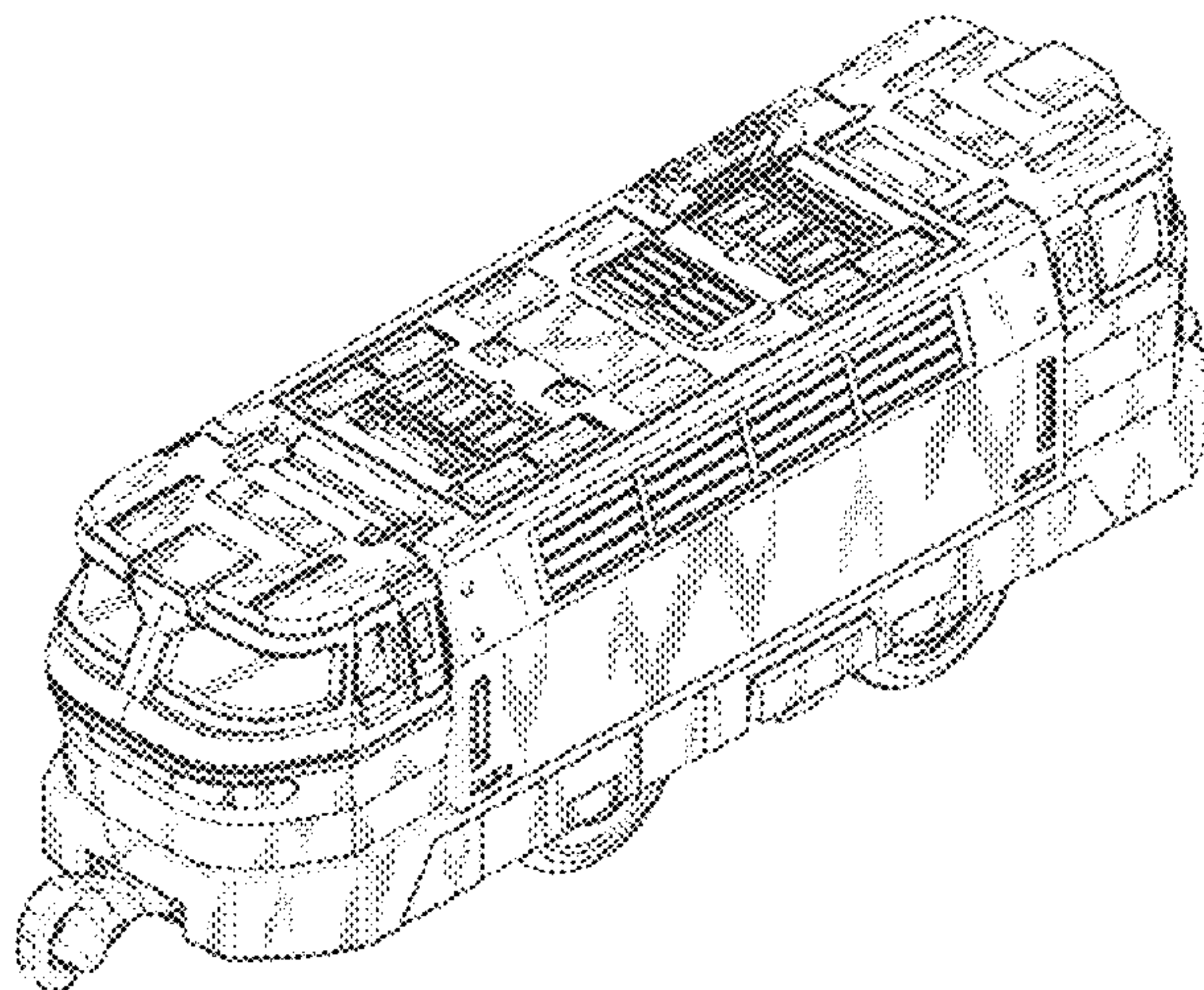


FIG 1

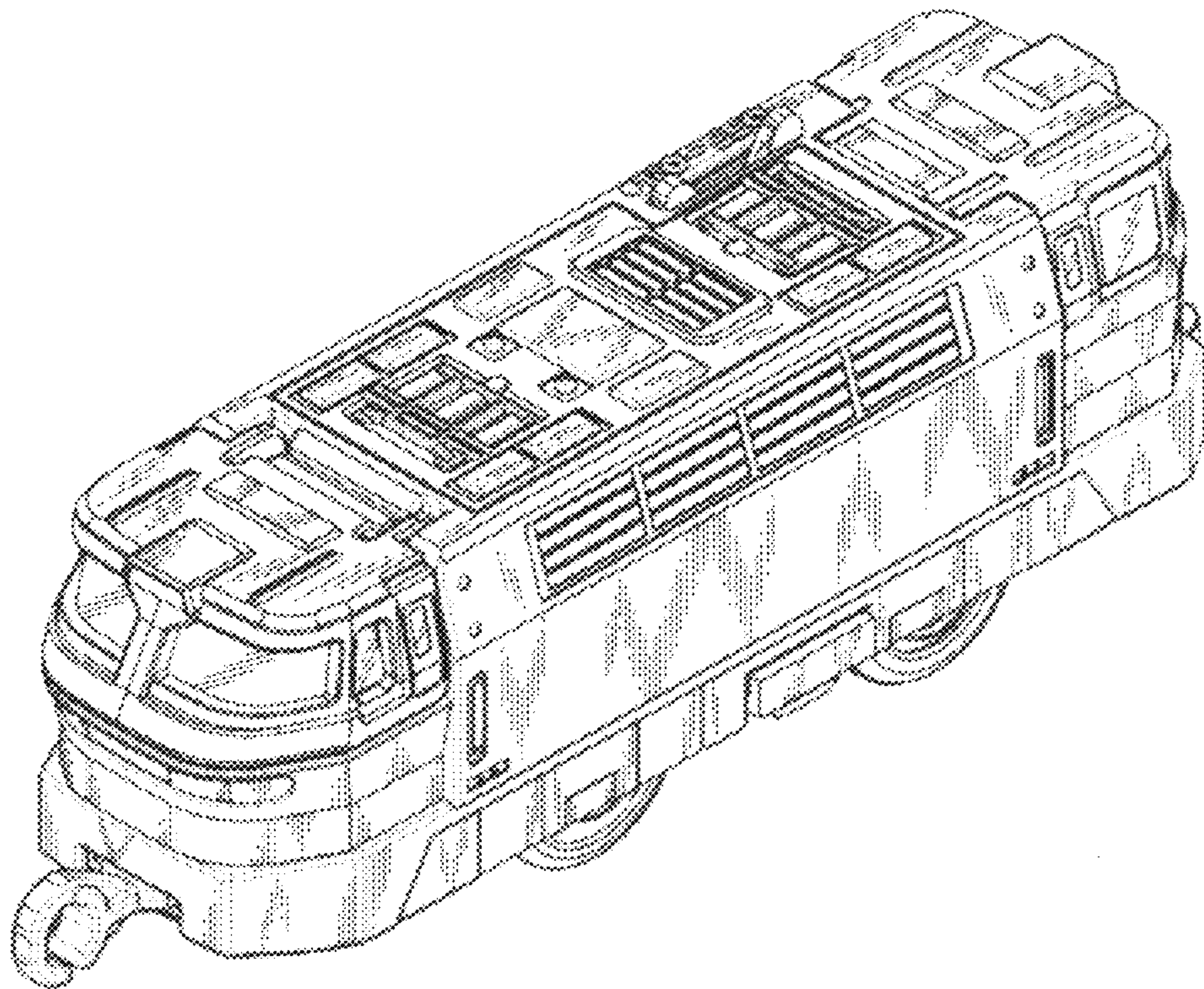


FIG. 2

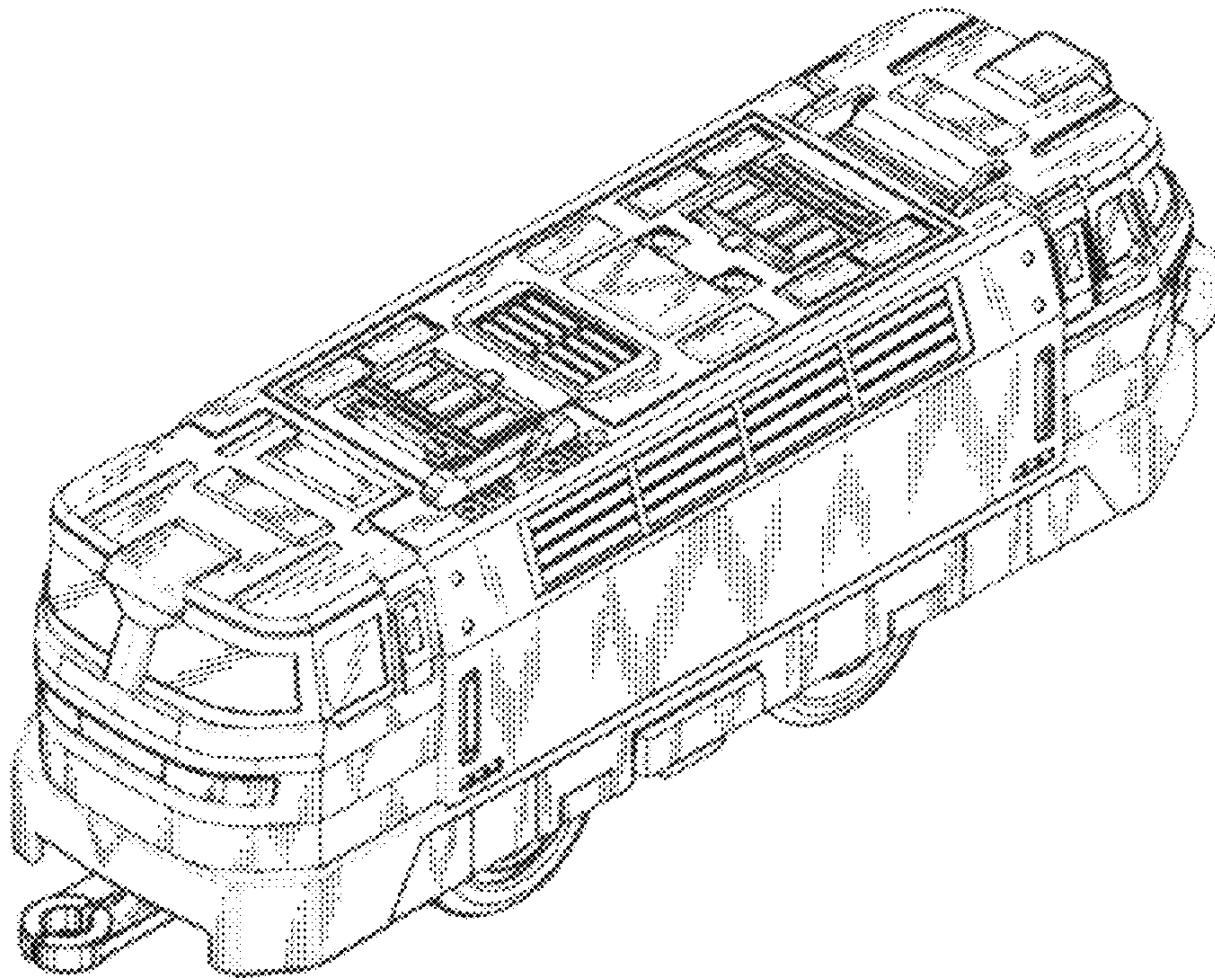


FIG. 3

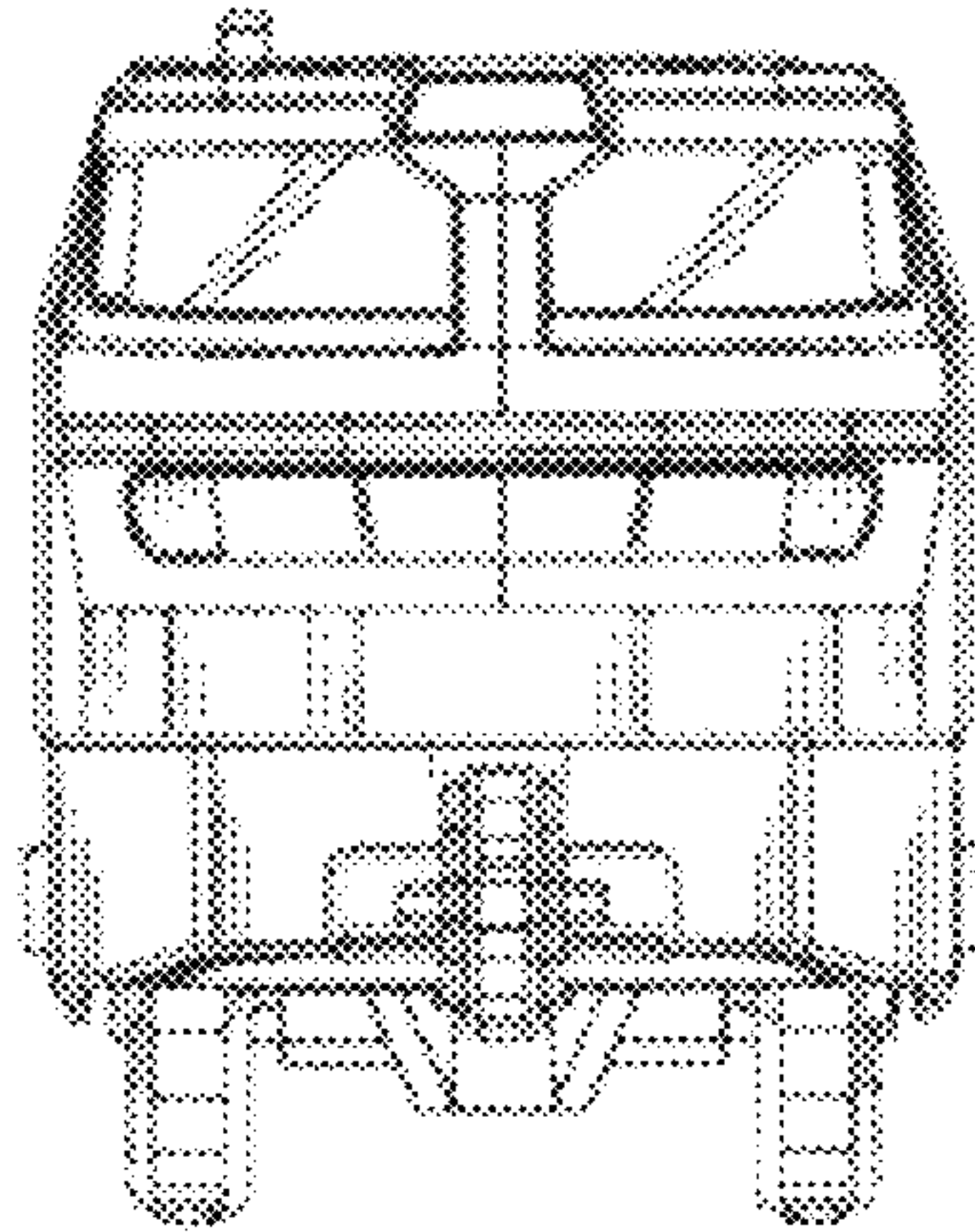


FIG. 4

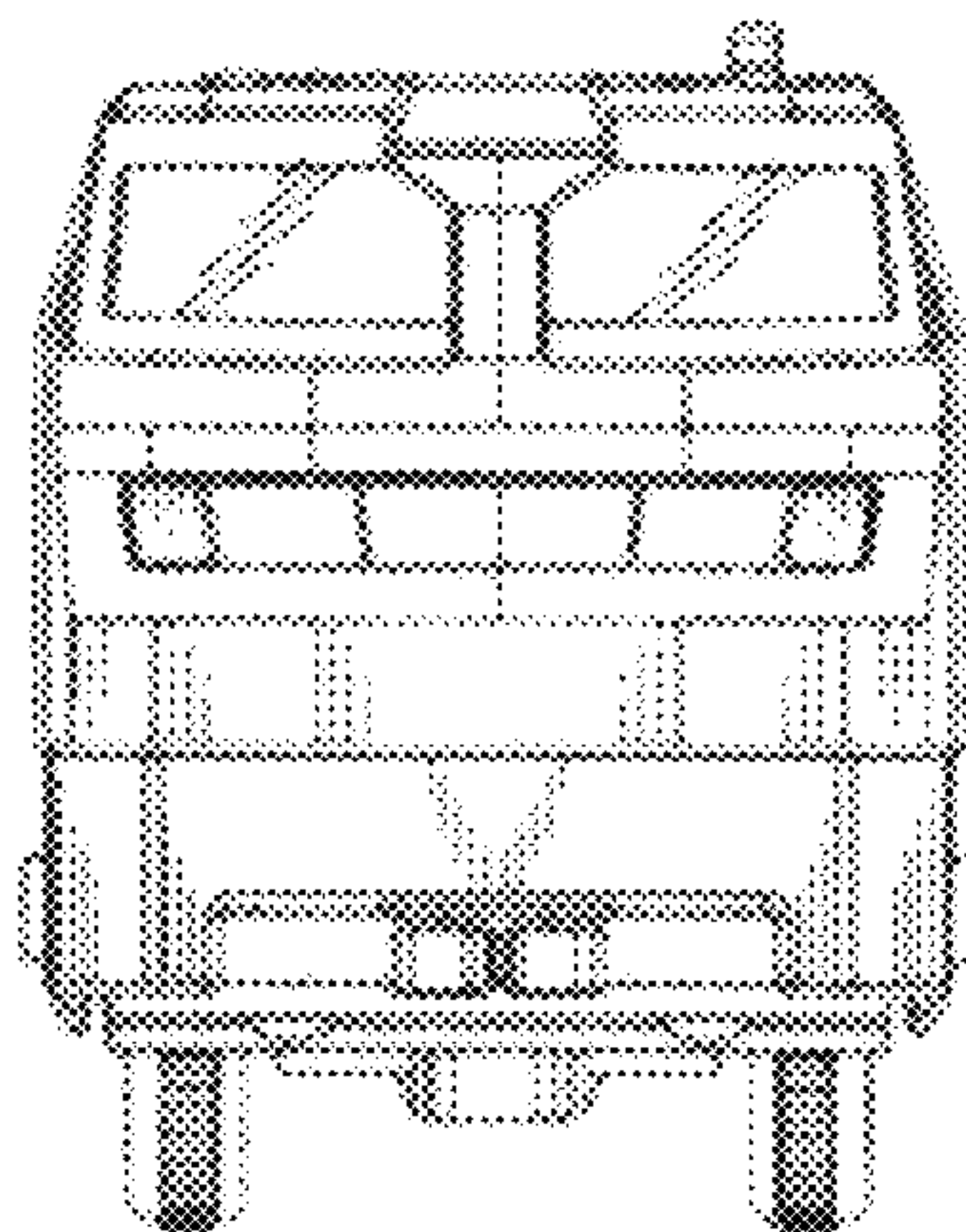


FIG. 5

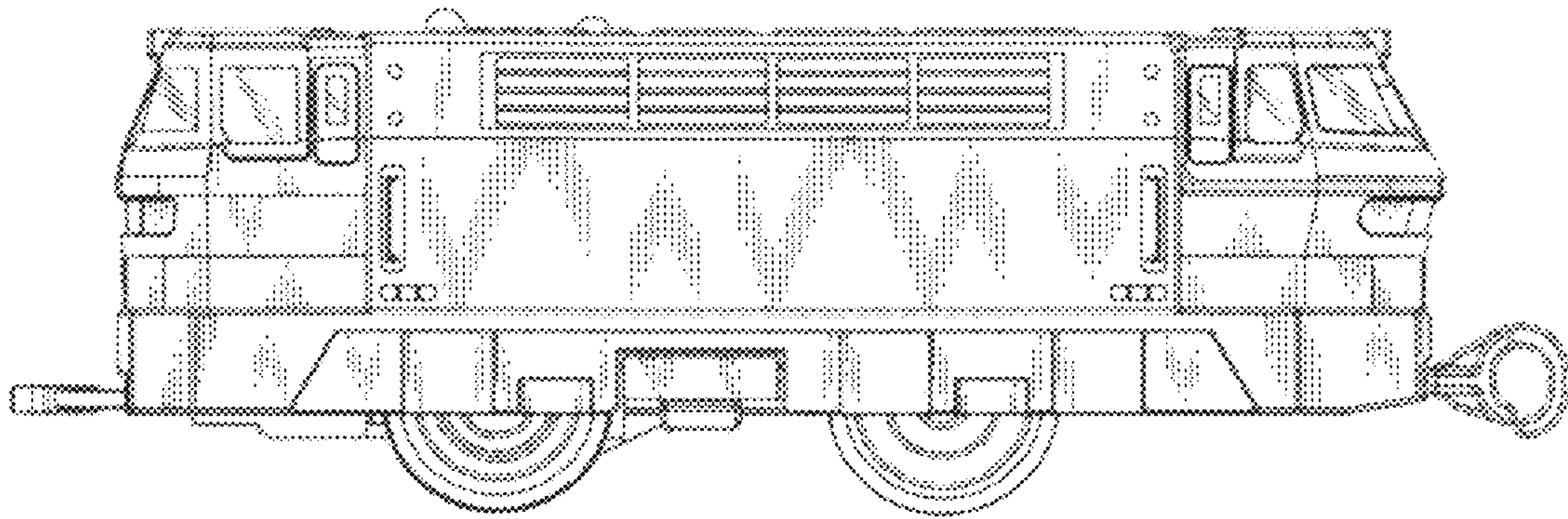


FIG. 6

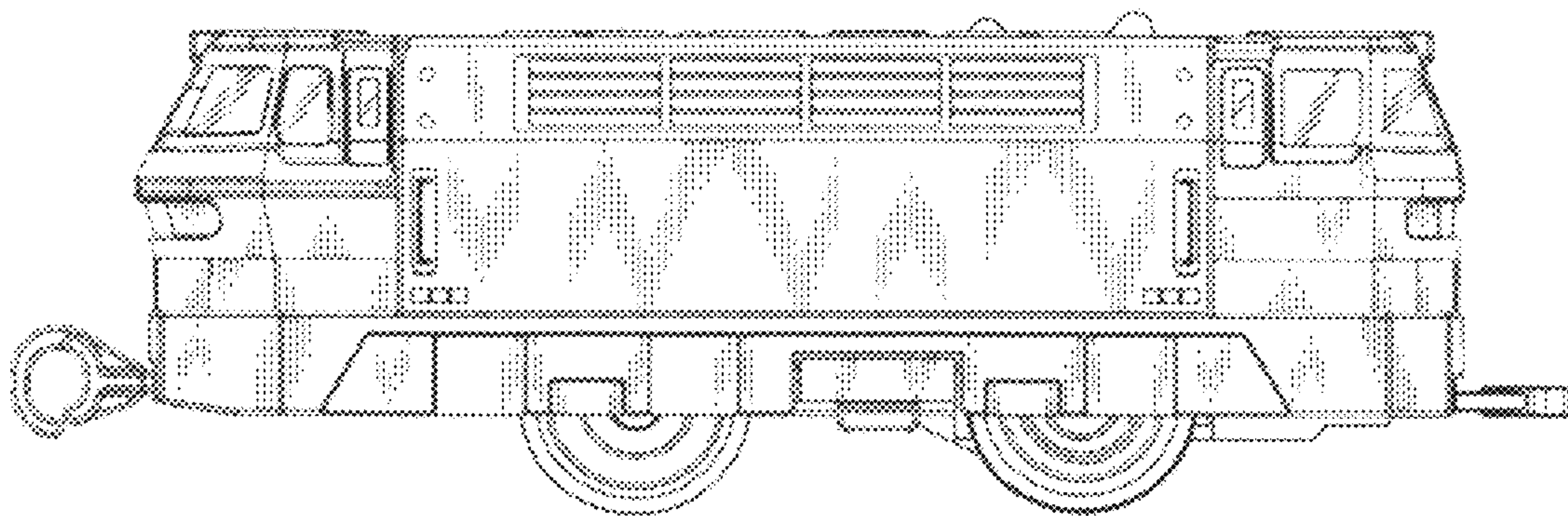


FIG 7

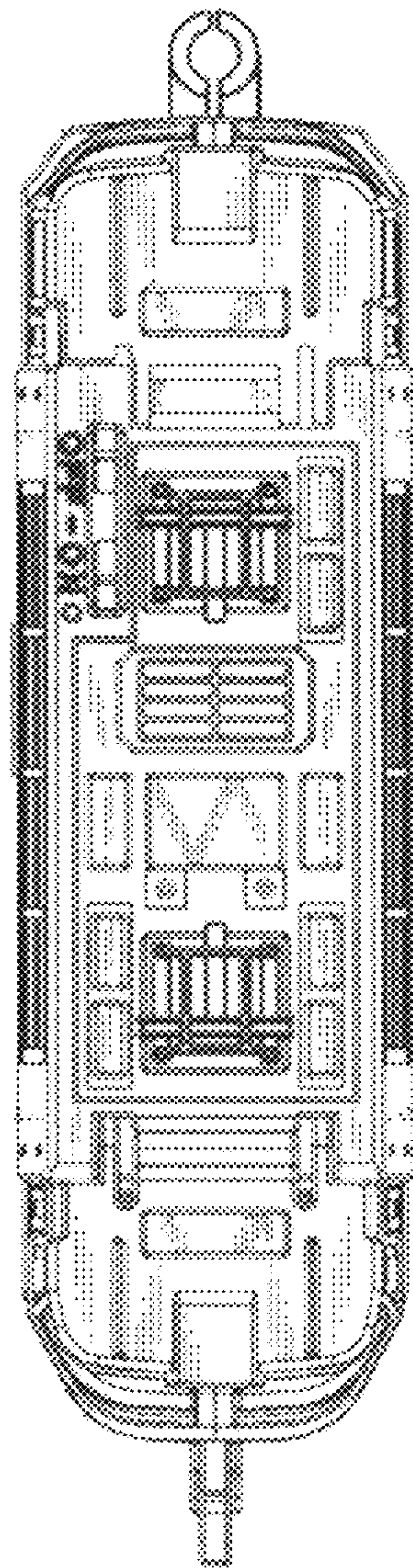


FIG. 8

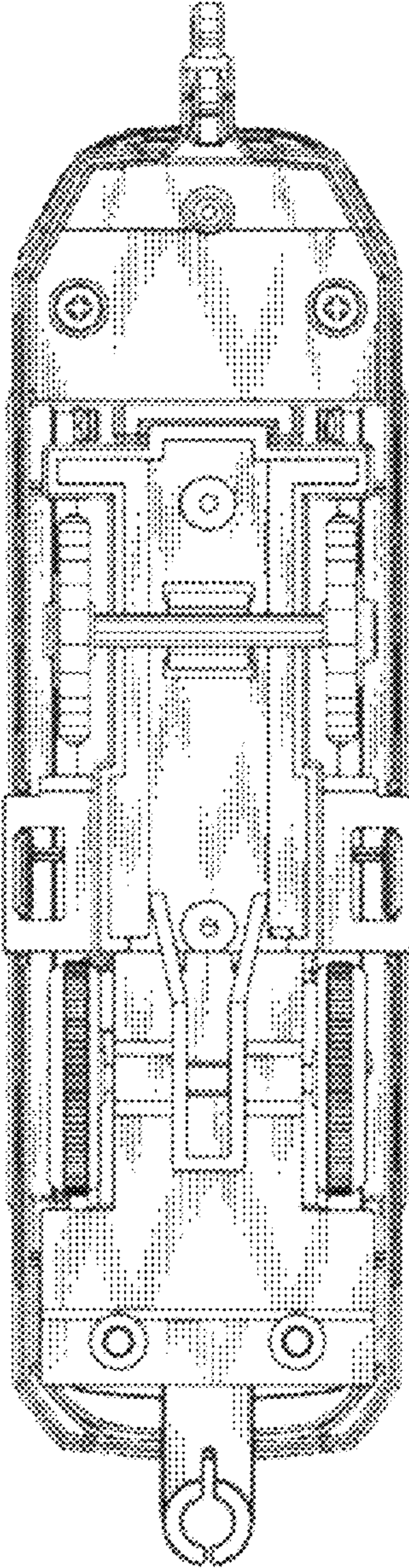


FIG 9

