



US00D647573S

(12) **United States Design Patent**
Nomiya et al.

(10) **Patent No.:** **US D647,573 S**

(45) **Date of Patent:** **** Oct. 25, 2011**

(54) **MOBILE GAME TOY FOR PLAYING COPS AND ROBBERS**

(75) Inventors: **Satoshi Nomiya**, Taito-ku (JP);
Yoshinobu Shirota, Taito-ku (JP)

(73) Assignee: **Happinet Corporation**, Tokyo (JP)

(**) Term: **14 Years**

(21) Appl. No.: **29/383,190**

(22) Filed: **Jan. 13, 2011**

(30) **Foreign Application Priority Data**

Jul. 14, 2010 (JP) 2010-17191

(51) **LOC (9) Cl.** **21-01**

(52) **U.S. Cl.** **D21/329**

(58) **Field of Classification Search** D21/324,
D21/328, 329, 333, 325; 273/148 B, 269,
273/270, 459-461; 463/1, 29-35, 46, 47,
463/49; 345/156, 161, 903, 905; D19/59,
D19/60; 434/322-327, 330

See application file for complete search history.

(56) **References Cited**

U.S. PATENT DOCUMENTS

5,161,803 A * 11/1992 Ohara 463/44
5,432,510 A * 7/1995 Matthews 341/20

5,661,632 A * 8/1997 Register 361/679.3
5,672,108 A * 9/1997 Lam et al. 463/39
D414,522 S * 9/1999 Kitamori D21/329
6,042,478 A * 3/2000 Ng 463/44
D425,942 S * 5/2000 Tomizawa D21/329
D428,938 S * 8/2000 Tomizawa D21/329
6,134,102 A * 10/2000 Worn et al. 361/679.3
D449,347 S * 10/2001 Christianson D21/329
D539,354 S * 3/2007 Mak D21/329
D577,724 S * 9/2008 Henne D14/401
D623,214 S * 9/2010 Onoda D16/225

* cited by examiner

Primary Examiner — Prabhakar Deshmukh

(74) *Attorney, Agent, or Firm* — Oliff & Berridge, PLC

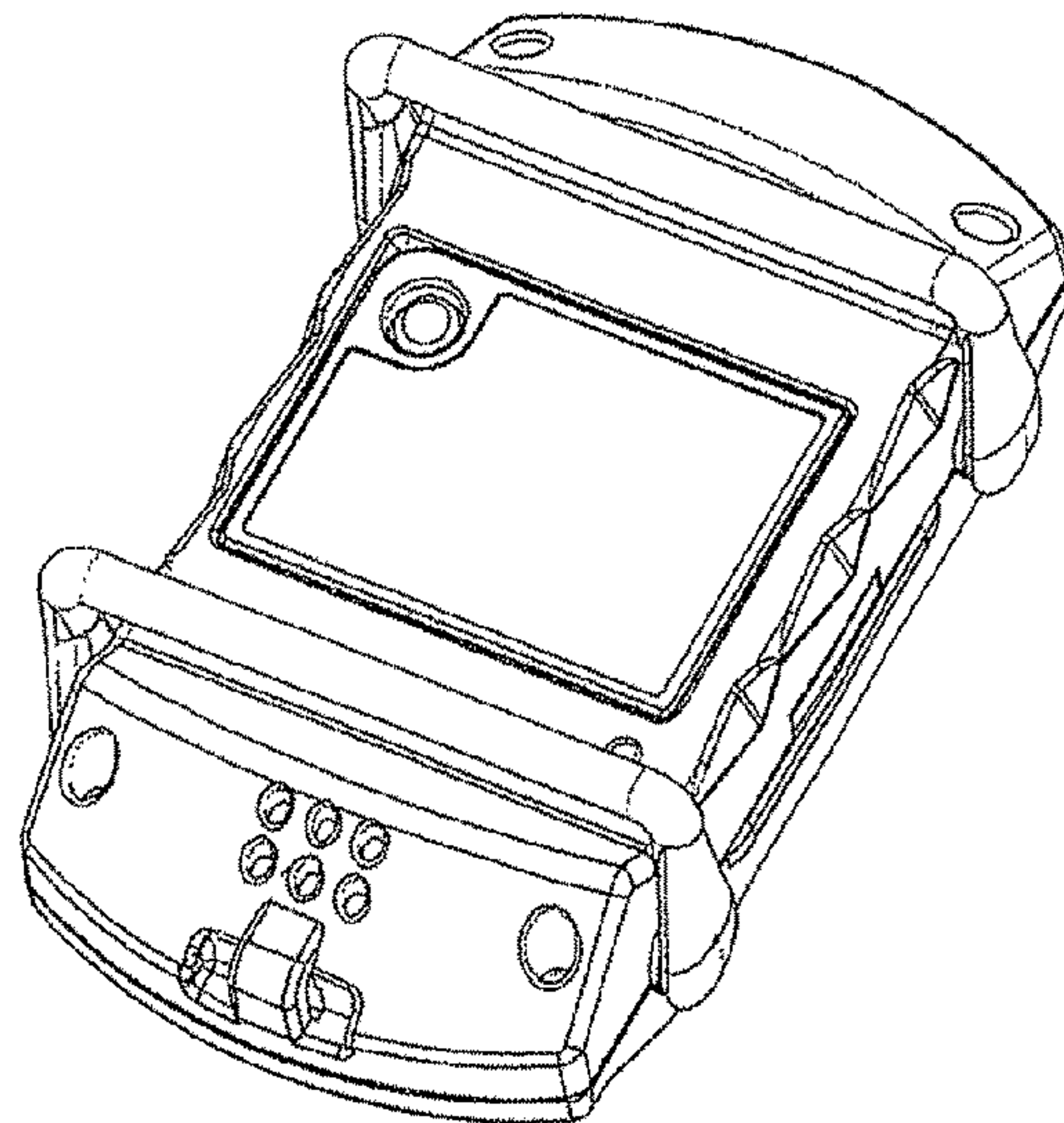
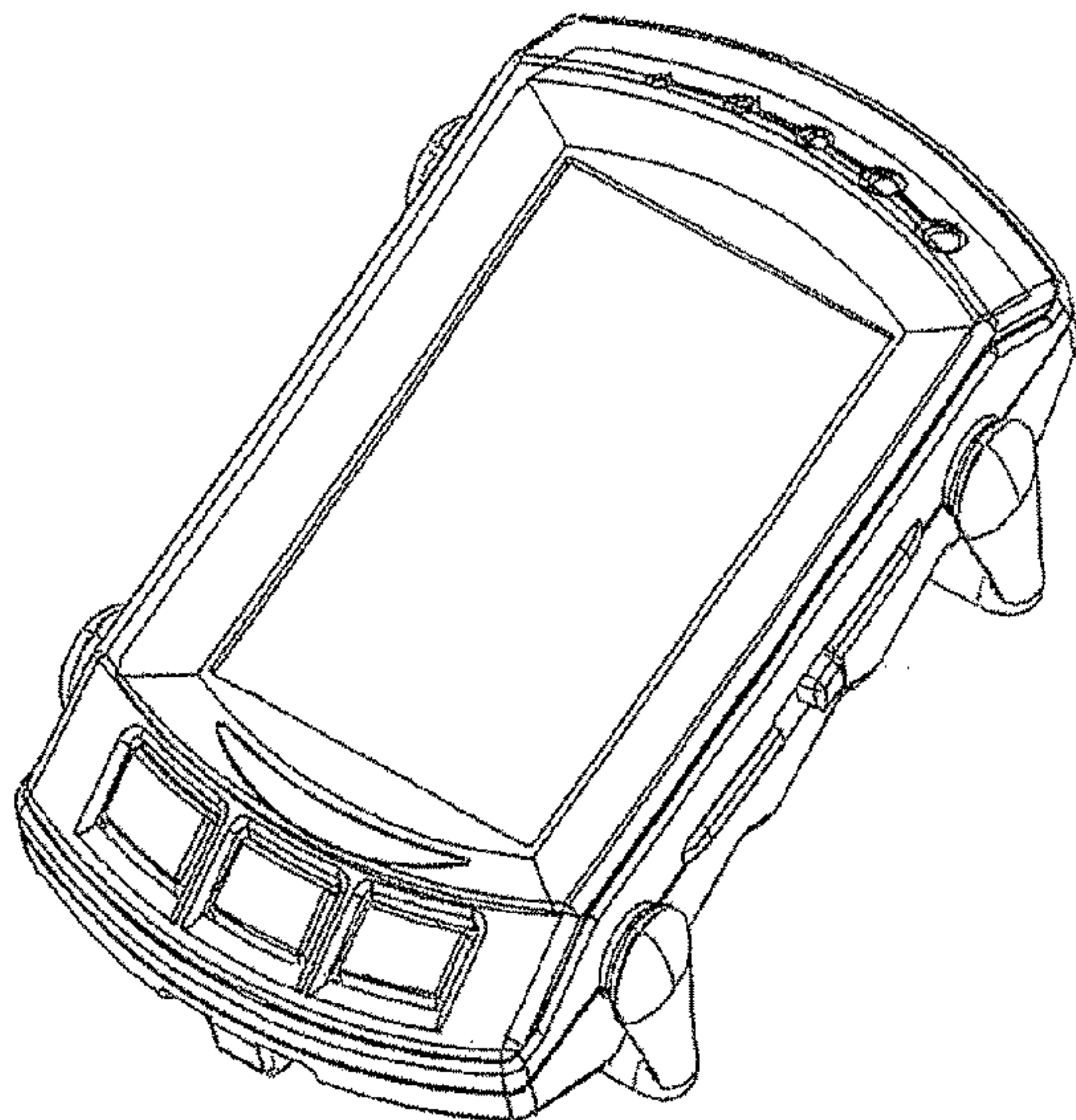
(57) **CLAIM**

The ornamental design for a mobile game toy for playing cops and robbers, as shown and described.

DESCRIPTION

FIG. 1 is a front elevation view of a mobile game toy for playing cops and robbers showing our new design;
FIG. 2 is a rear elevation view thereof;
FIG. 3 is a right side elevation view thereof;
FIG. 4 is a left side elevation view thereof;
FIG. 5 is a top plan view thereof;
FIG. 6 is a bottom plan view thereof;
FIG. 7 is a front appearance perspective view thereof; and,
FIG. 8 is a rear appearance perspective view thereof.

1 Claim, 4 Drawing Sheets



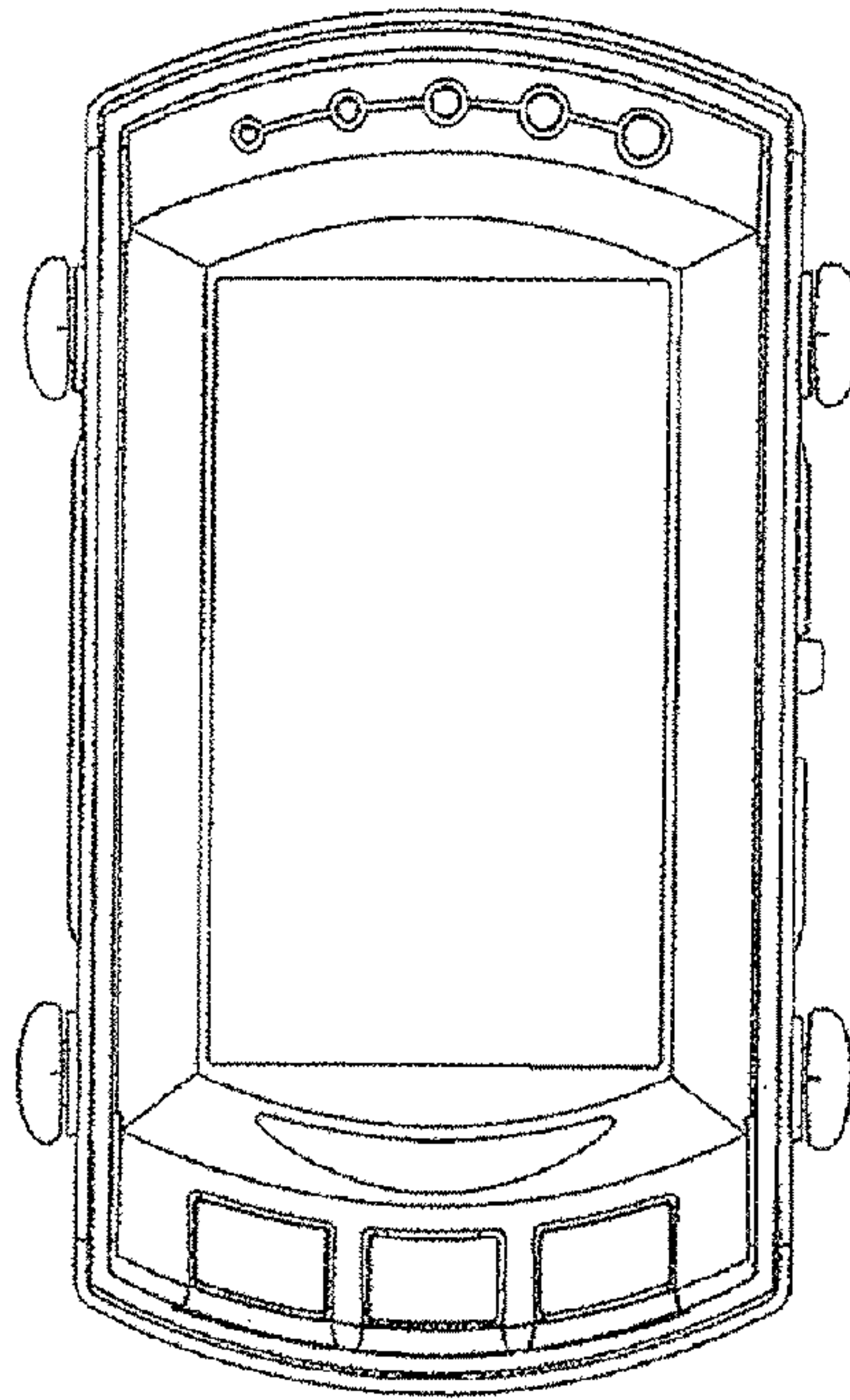


FIG. 1

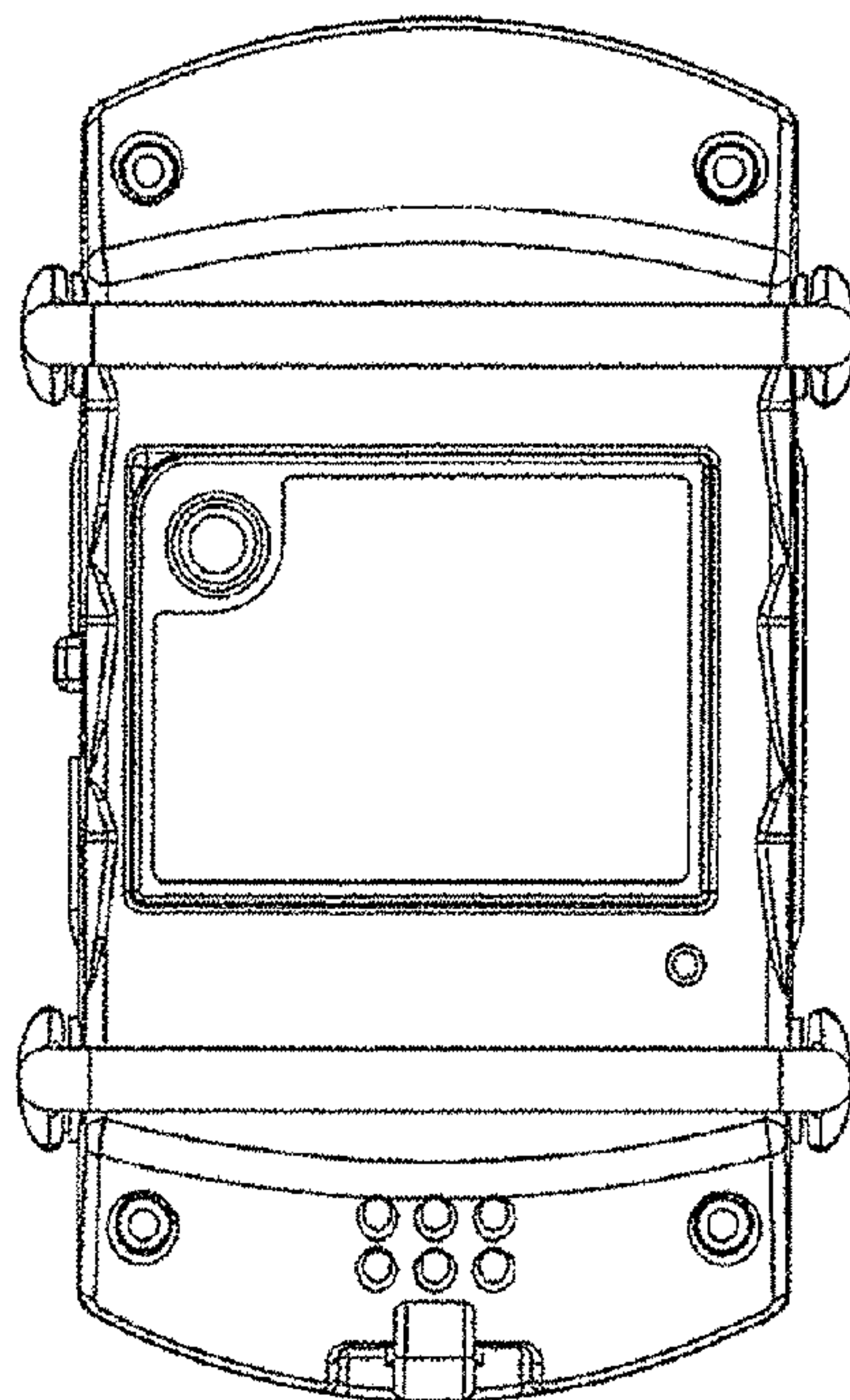


FIG. 2

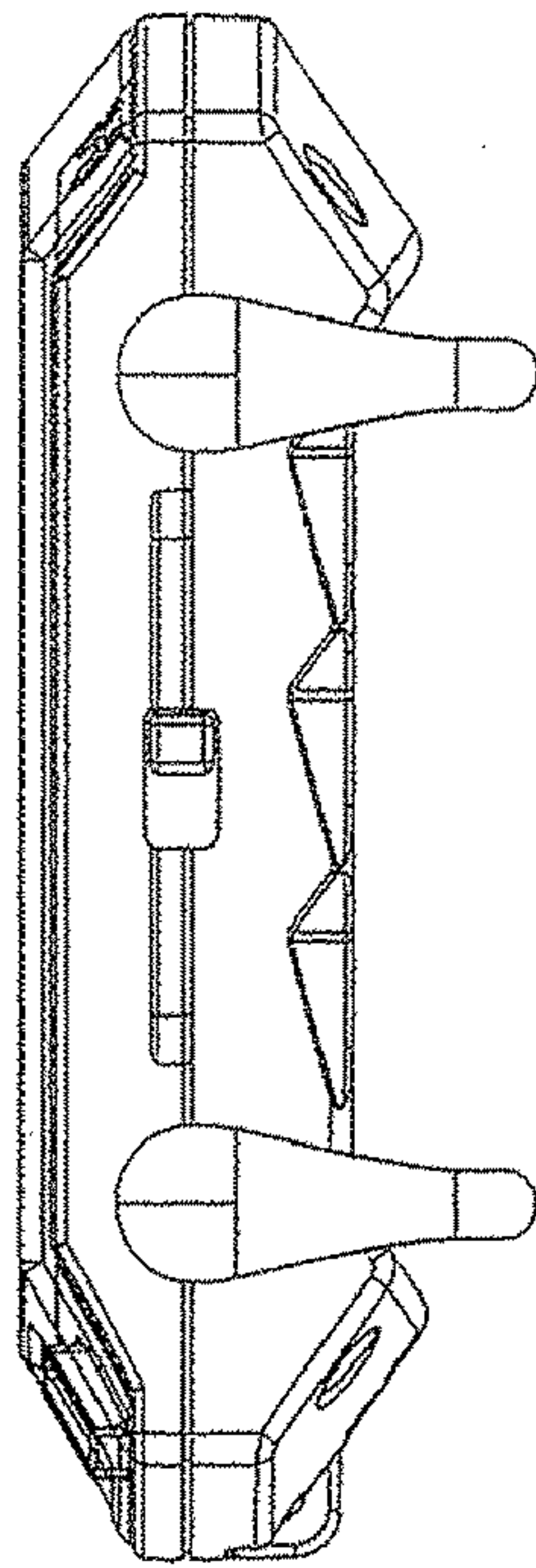


FIG. 3

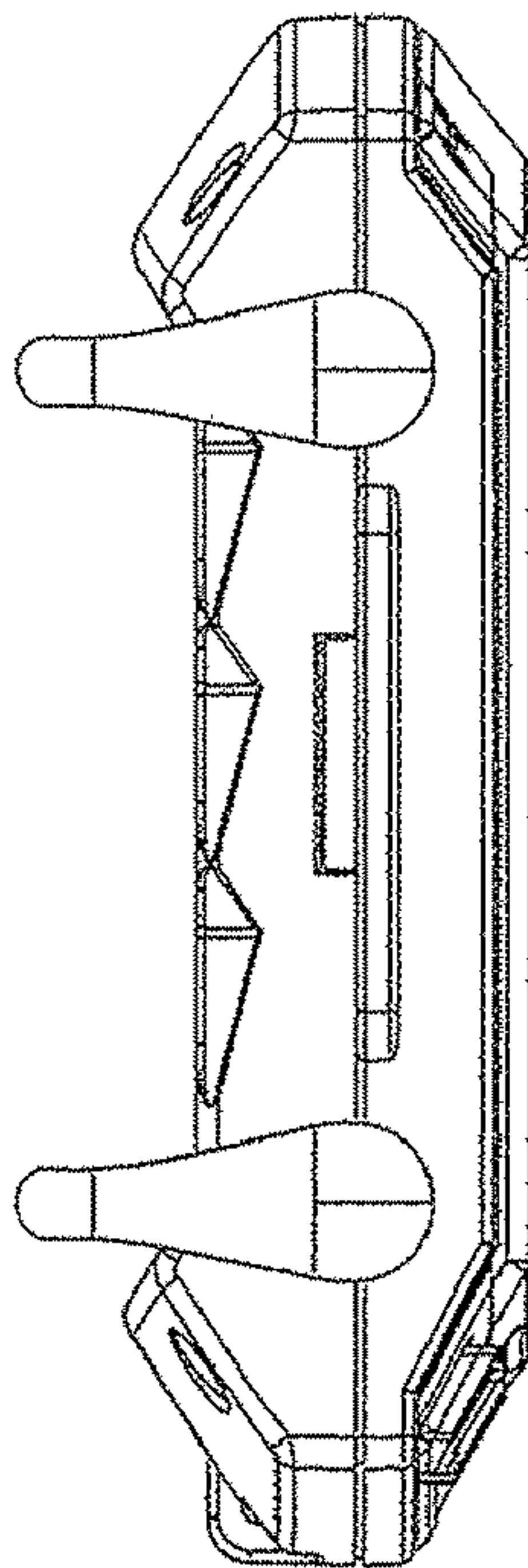


FIG. 4

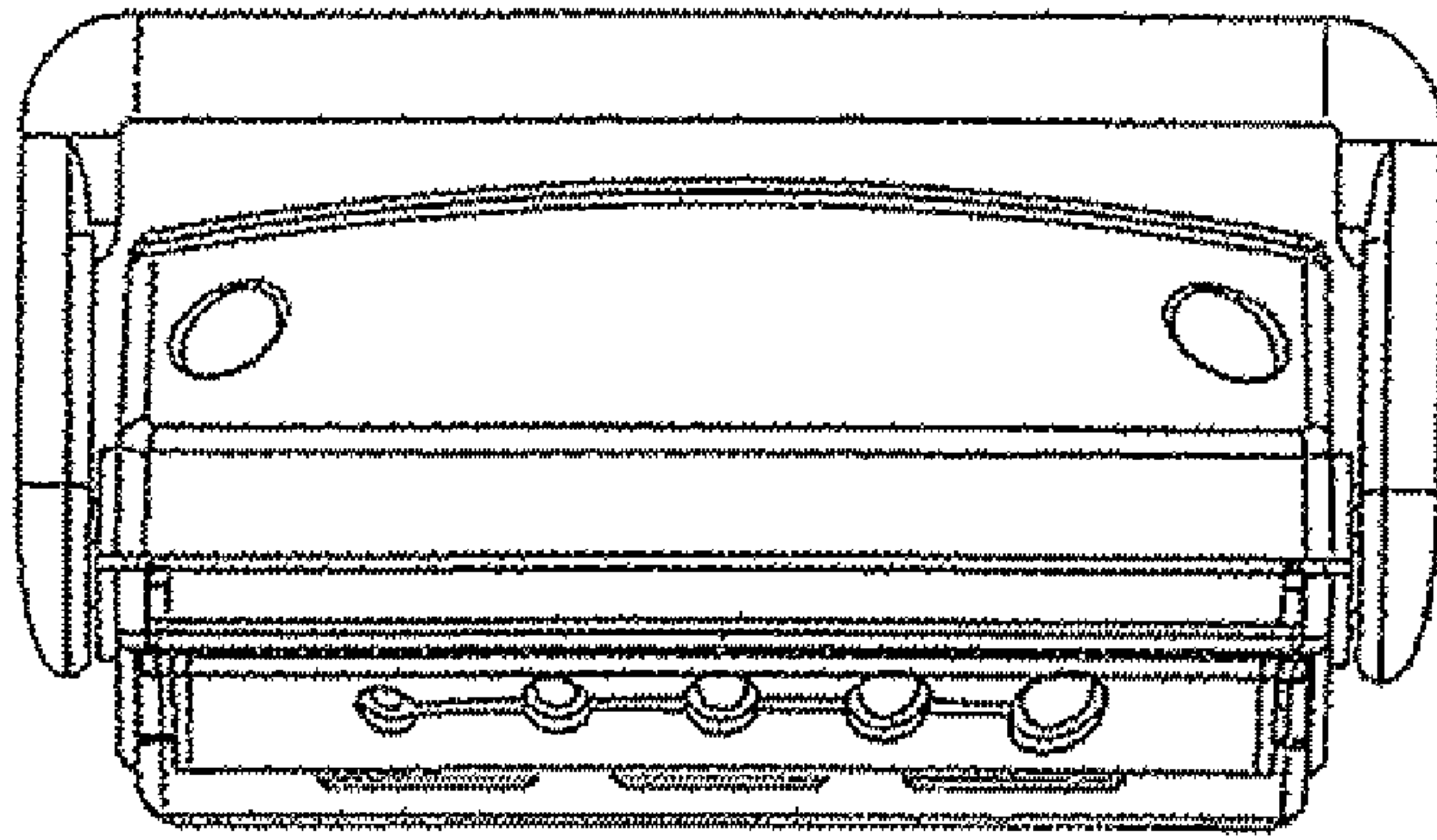


FIG. 5

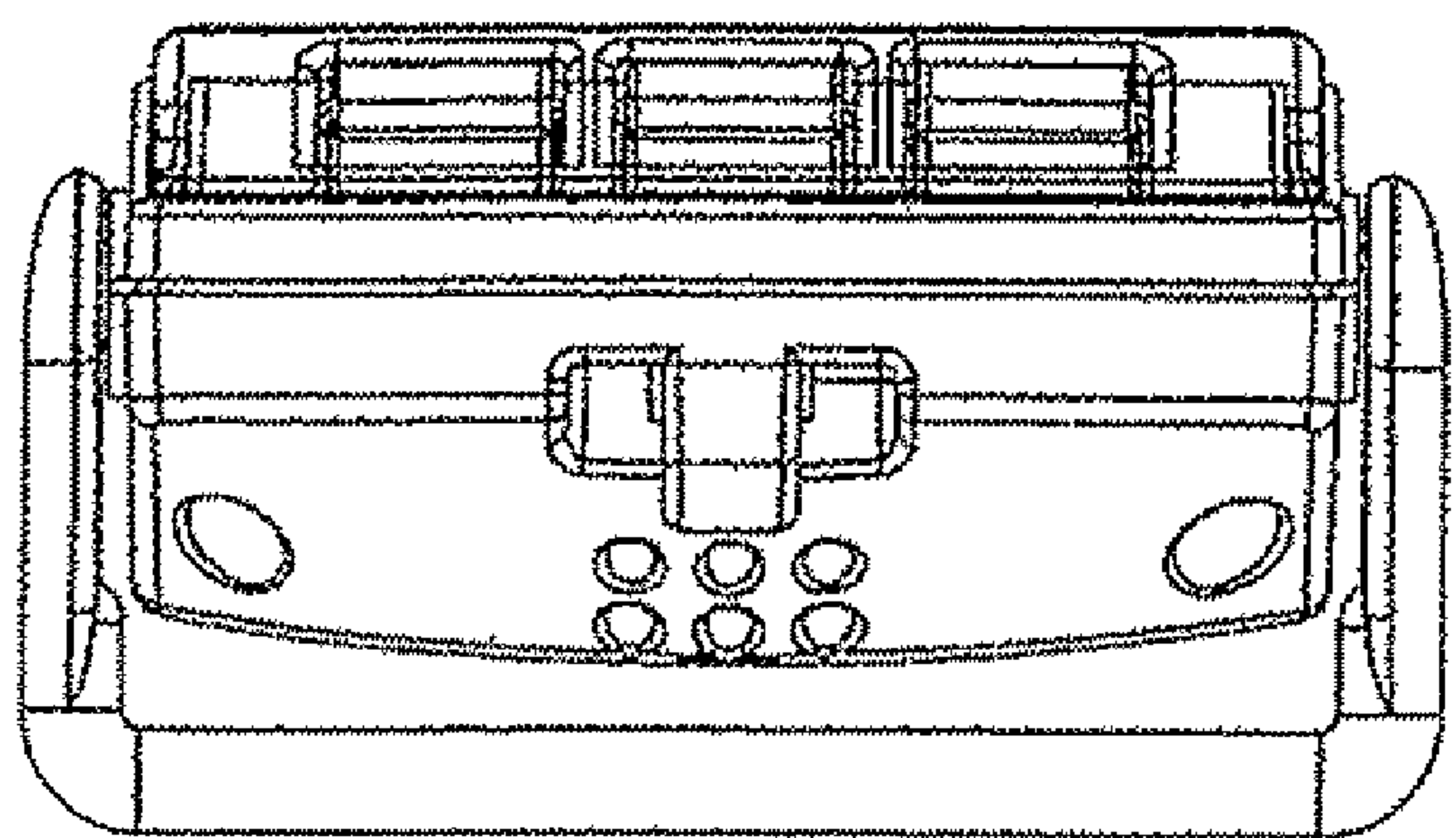


FIG. 6

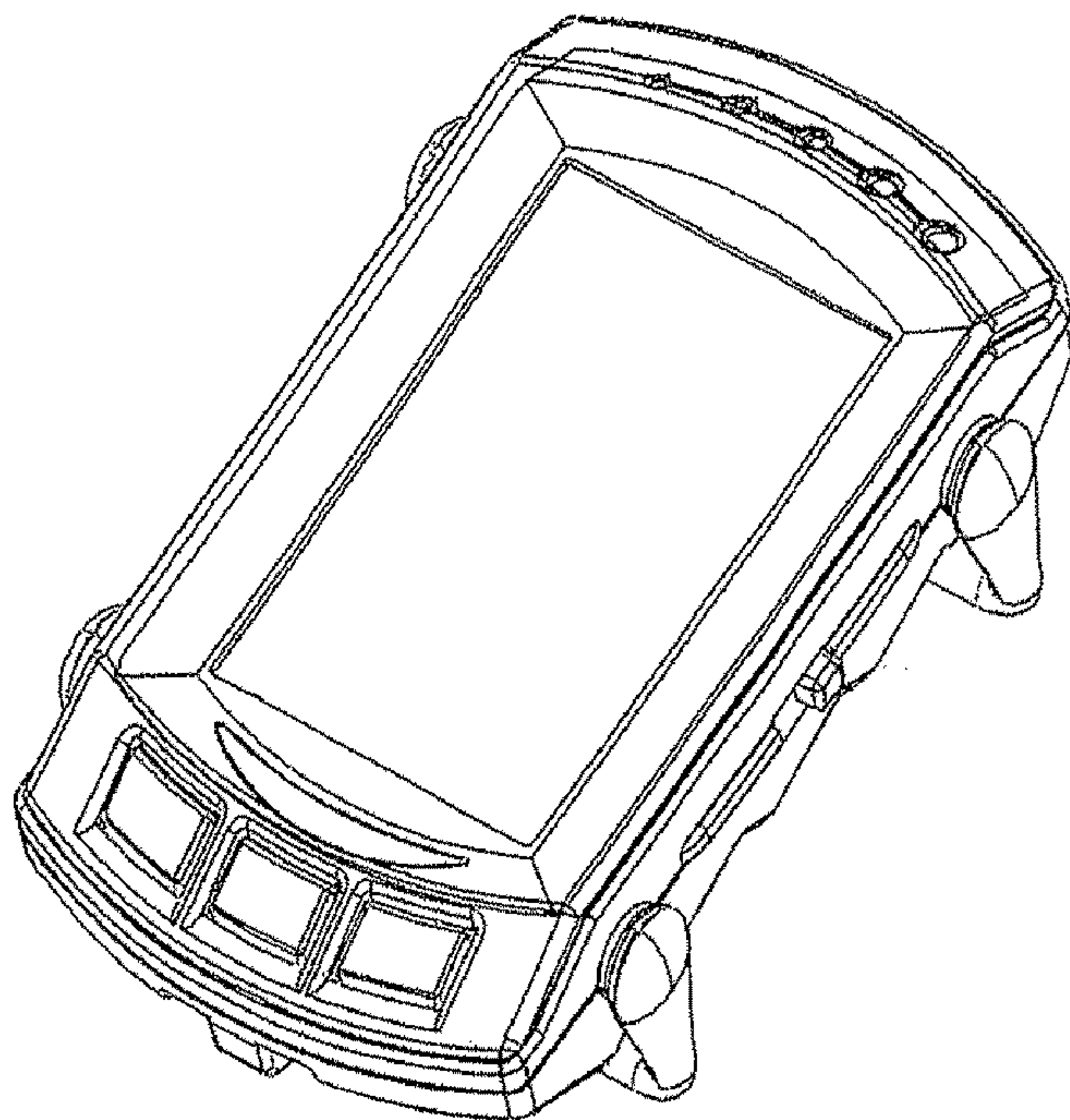


FIG. 7

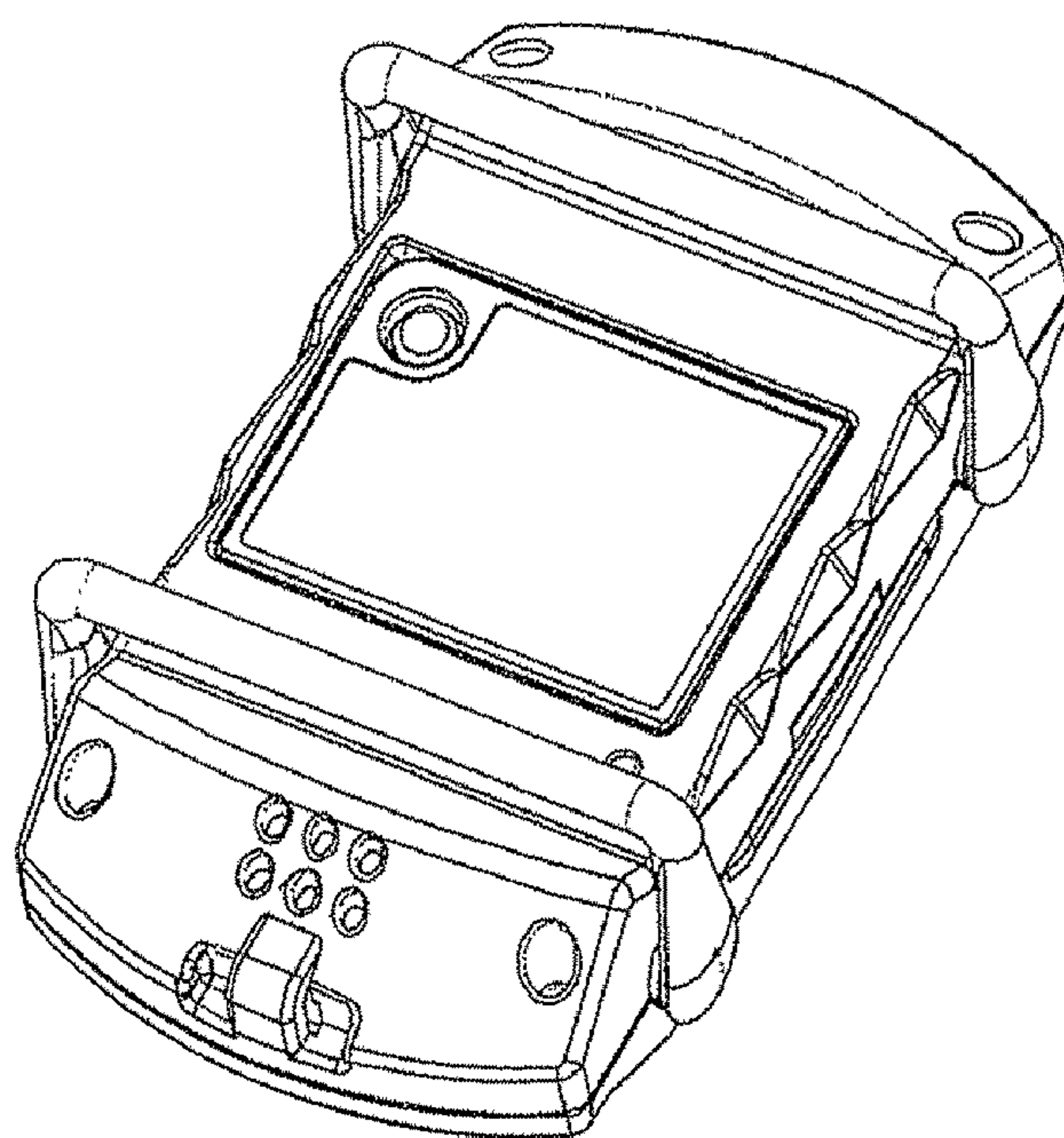


FIG. 8