



US00D647568S

(12) **United States Design Patent**
Yuan

(10) **Patent No.:** **US D647,568 S**

(45) **Date of Patent:** **** Oct. 25, 2011**

(54) **CARD HOLDER**

(75) Inventor: **Fang Yuan**, Ningbo (CN)

(73) Assignee: **Beifa Group Co., Ltd.**, Ningbo (CN)

(**) Term: **14 Years**

(21) Appl. No.: **29/382,414**

(22) Filed: **Jan. 3, 2011**

(30) **Foreign Application Priority Data**

Jul. 4, 2010 (CN) 2010 3 0237731

(51) **LOC (9) Cl.** **19-02**

(52) **U.S. Cl.** **D19/90**

(58) **Field of Classification Search** D3/304,
D3/305, 309-316; D9/414, 424; D19/65,
D19/75, 77-92; D28/73, 77; 206/214, 215,
206/425, 555, 556; 211/126.1
See application file for complete search history.

(56) **References Cited**

U.S. PATENT DOCUMENTS

2,111,884	A	*	3/1938	Cahaney	220/804
D161,840	S	*	2/1951	Hopp	D19/25
3,482,760	A	*	12/1969	Boehm et al.	229/115
D228,417	S	*	9/1973	Riley	D19/77
4,253,601	A	*	3/1981	Kossoff	229/115
4,488,667	A	*	12/1984	Swett et al.	222/485
D283,479	S	*	4/1986	Swett et al.	D7/596
D335,364	S	*	5/1993	Yang	D28/85
D382,369	S	*	8/1997	Yang	D28/85
D402,200	S	*	12/1998	Bakx et al.	D9/430
D424,378	S	*	5/2000	Bacon et al.	D7/602
D437,221	S	*	2/2001	Sagel et al.	D9/430
D439,838	S	*	4/2001	Sagel et al.	D9/430

D442,083	S	*	5/2001	Hoffman et al.	D9/431
D442,861	S	*	5/2001	Sagel	D9/430
D449,524	S	*	10/2001	Kieras	D9/559
D488,506	S	*	4/2004	Mandel et al.	D19/36
D497,038	S	*	10/2004	Tsai	D28/85
D529,815	S	*	10/2006	Frasier et al.	D9/636
7,219,830	B2	*	5/2007	West	229/115
D551,561	S	*	9/2007	Bieger et al.	D9/561
7,455,191	B2	*	11/2008	Bhavnani	220/592.17
D622,606	S	*	8/2010	Masotti et al.	D9/561

OTHER PUBLICATIONS

Yuan, F., "Pen Holder," U.S. Appl. No. 29/382,409, filed Jan. 3, 2011.
Yuan, F., "Clip Holder," U.S. Appl. No. 29/382,411, filed Jan. 3, 2011.

* cited by examiner

Primary Examiner — Elizabeth Albert

(74) *Attorney, Agent, or Firm* — Christensen O'Connor Johnson Kindness PLLC

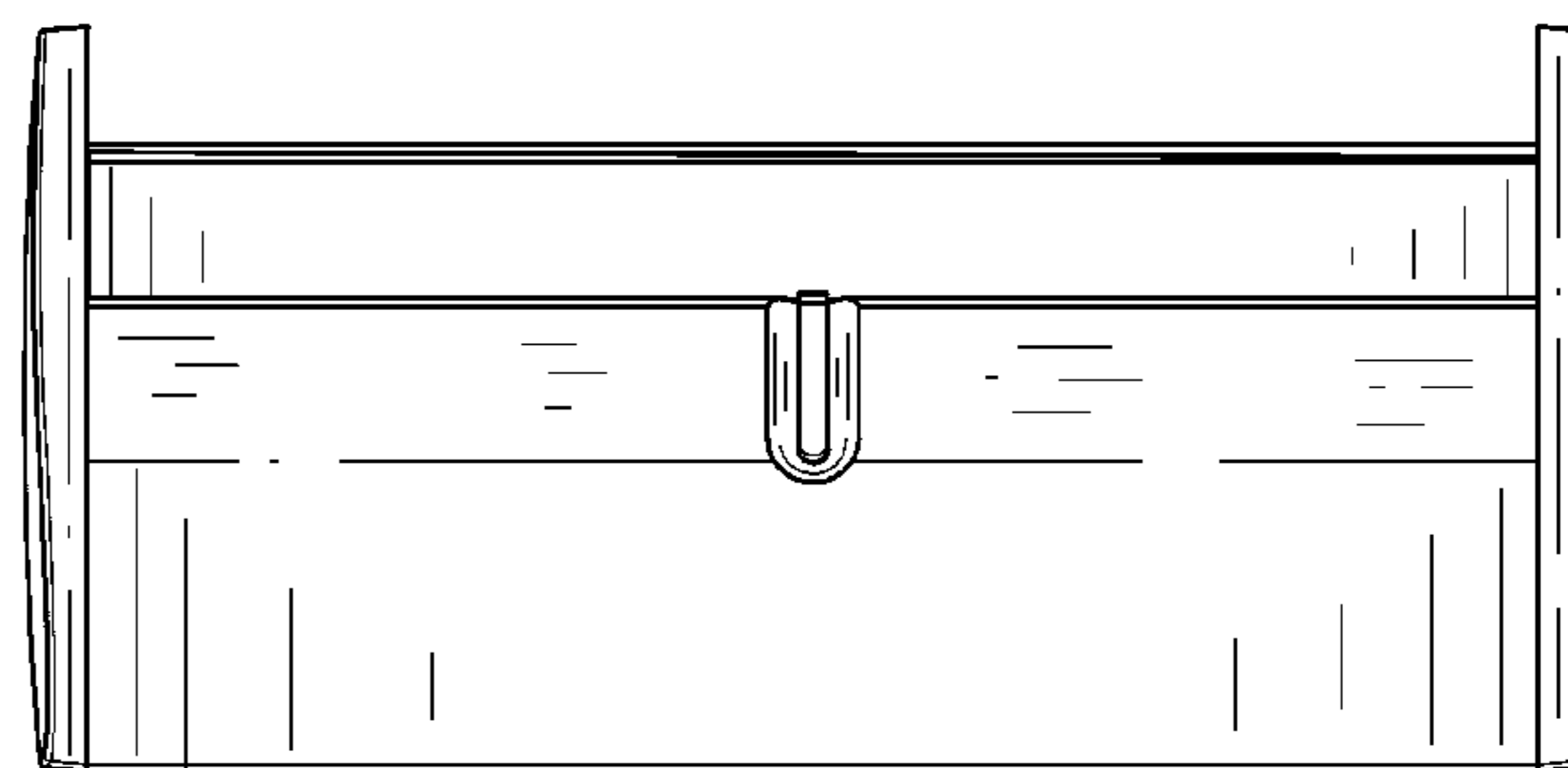
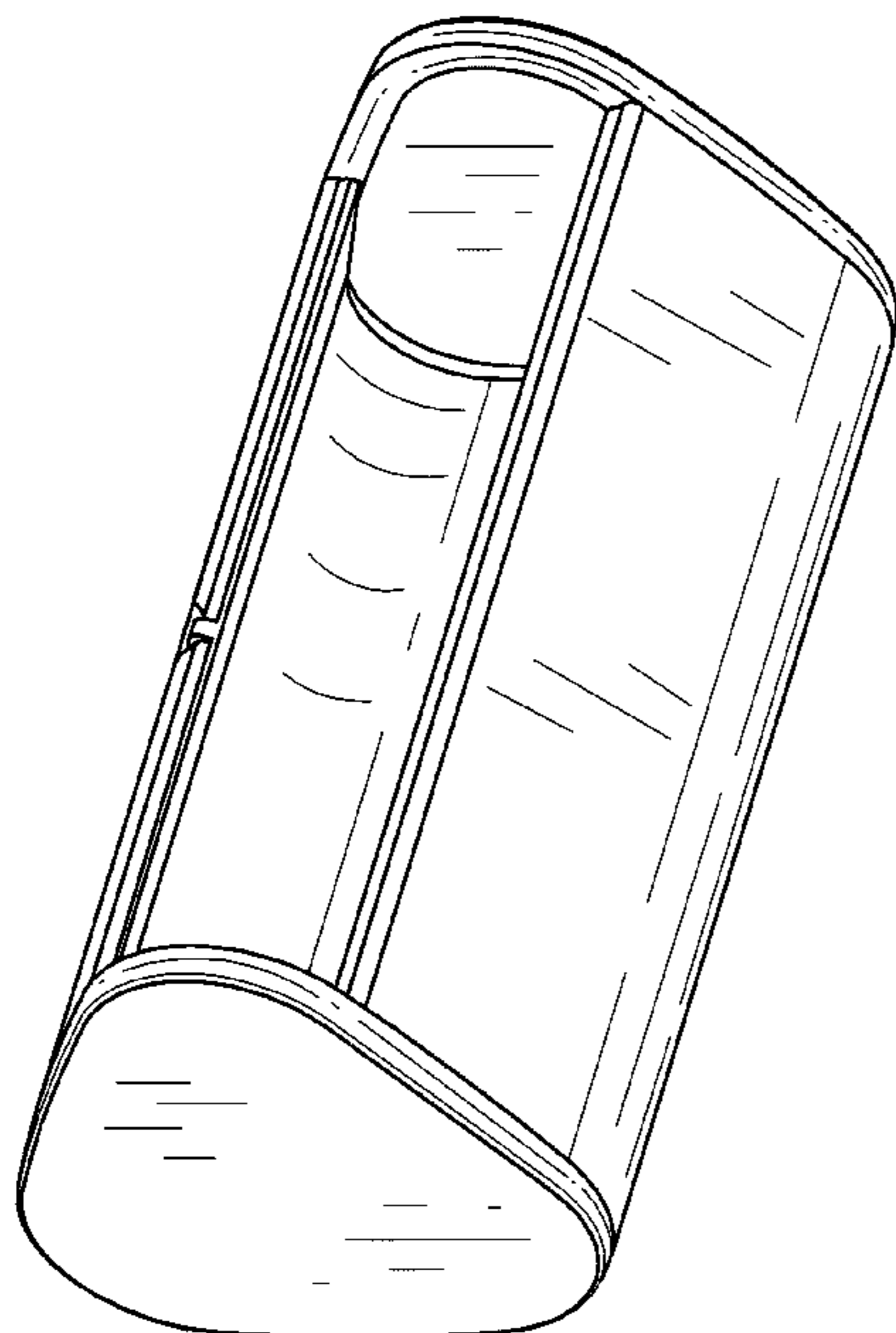
(57) **CLAIM**

The ornamental design for a card holder, as shown and described.

DESCRIPTION

FIG. 1 is an upper rear right perspective view of a card holder showing my new design;
FIG. 2 is a front elevation view thereof;
FIG. 3 is a rear elevation view thereof;
FIG. 4 is a top plan view thereof;
FIG. 5 is a bottom plan view thereof; and,
FIG. 6 is a right side elevation view thereof, with the left side elevation view being a mirror image of the right side elevation view.

1 Claim, 4 Drawing Sheets



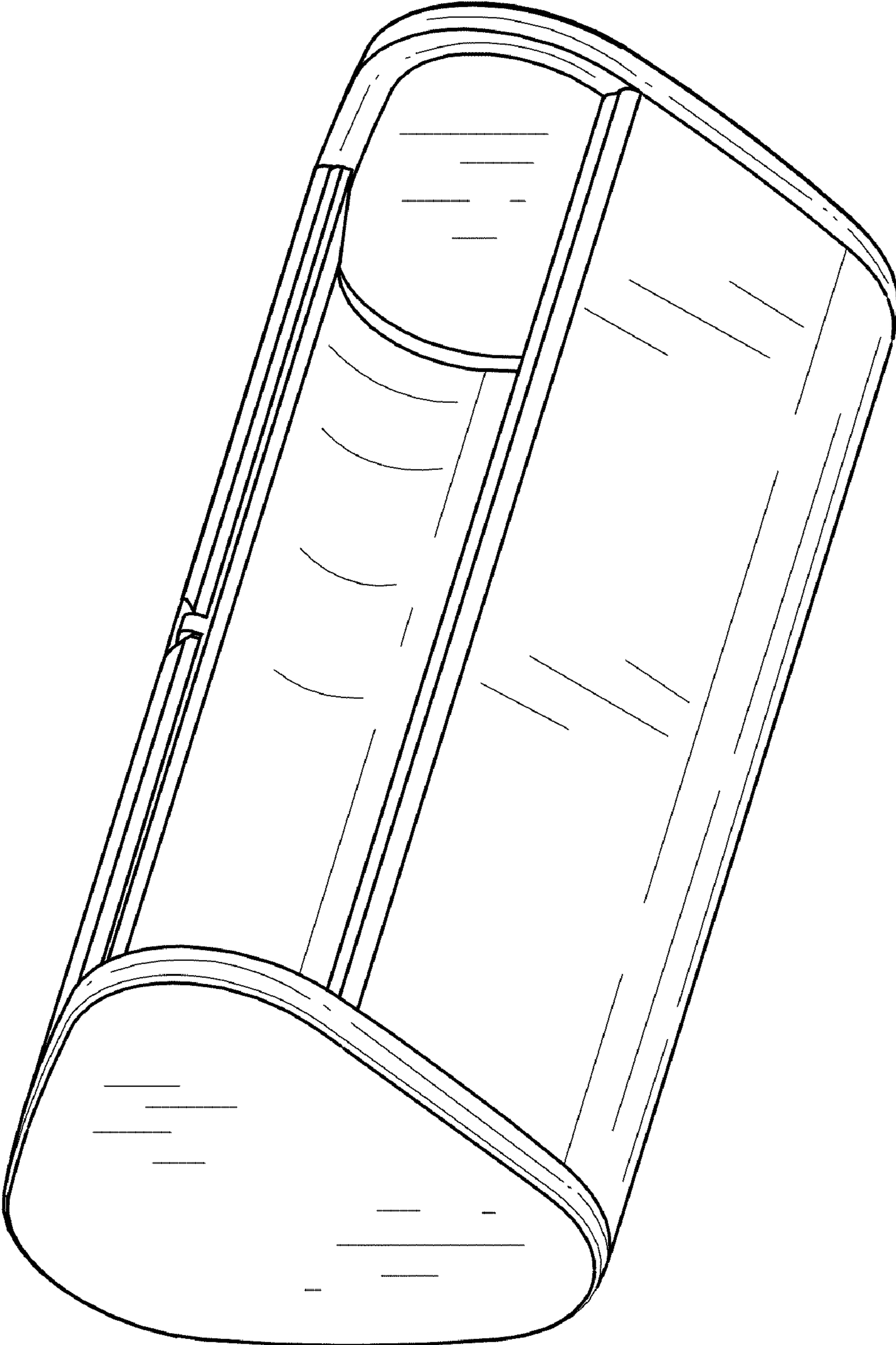


Fig. 1.

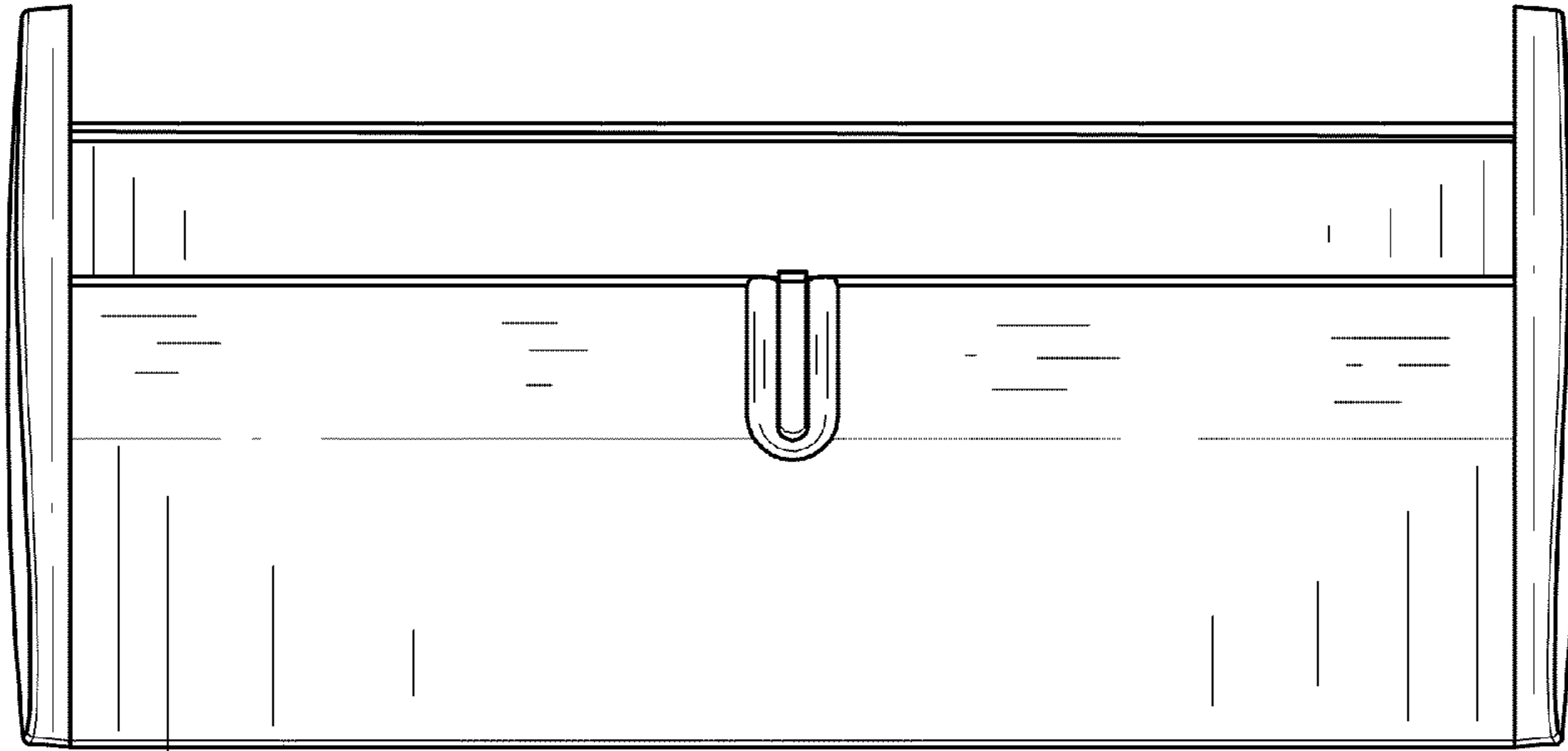


Fig. 2.

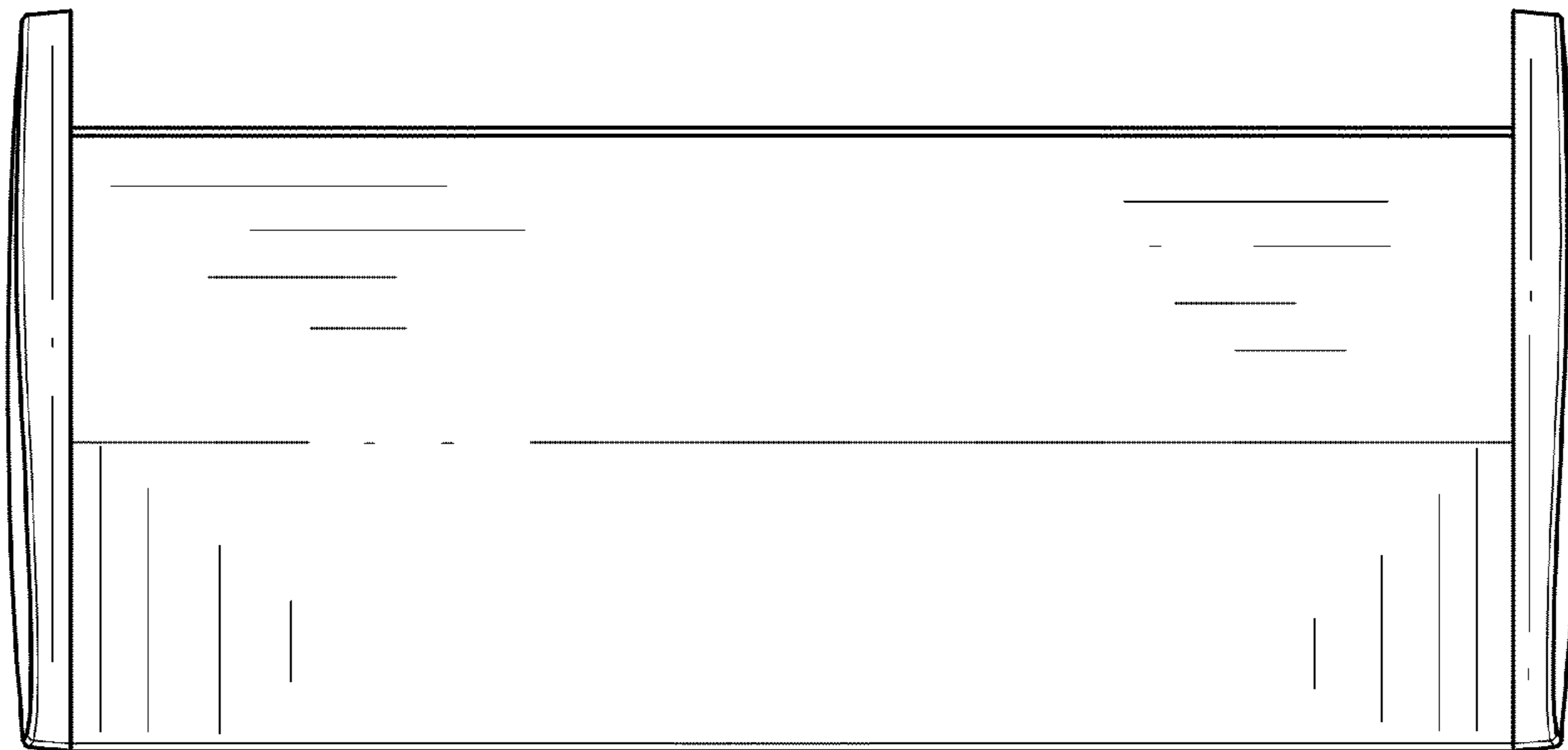


Fig. 3.

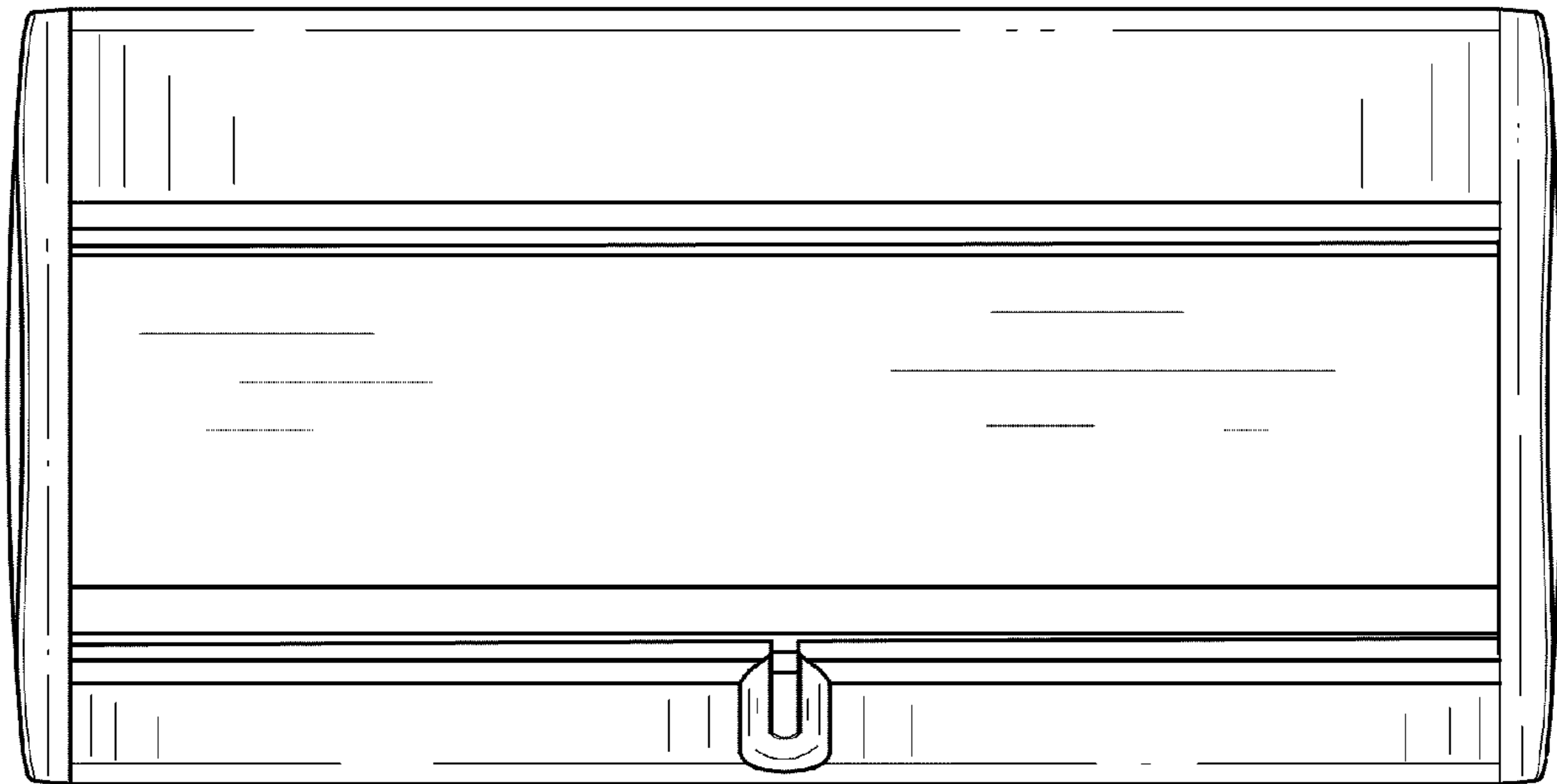


Fig. 4.

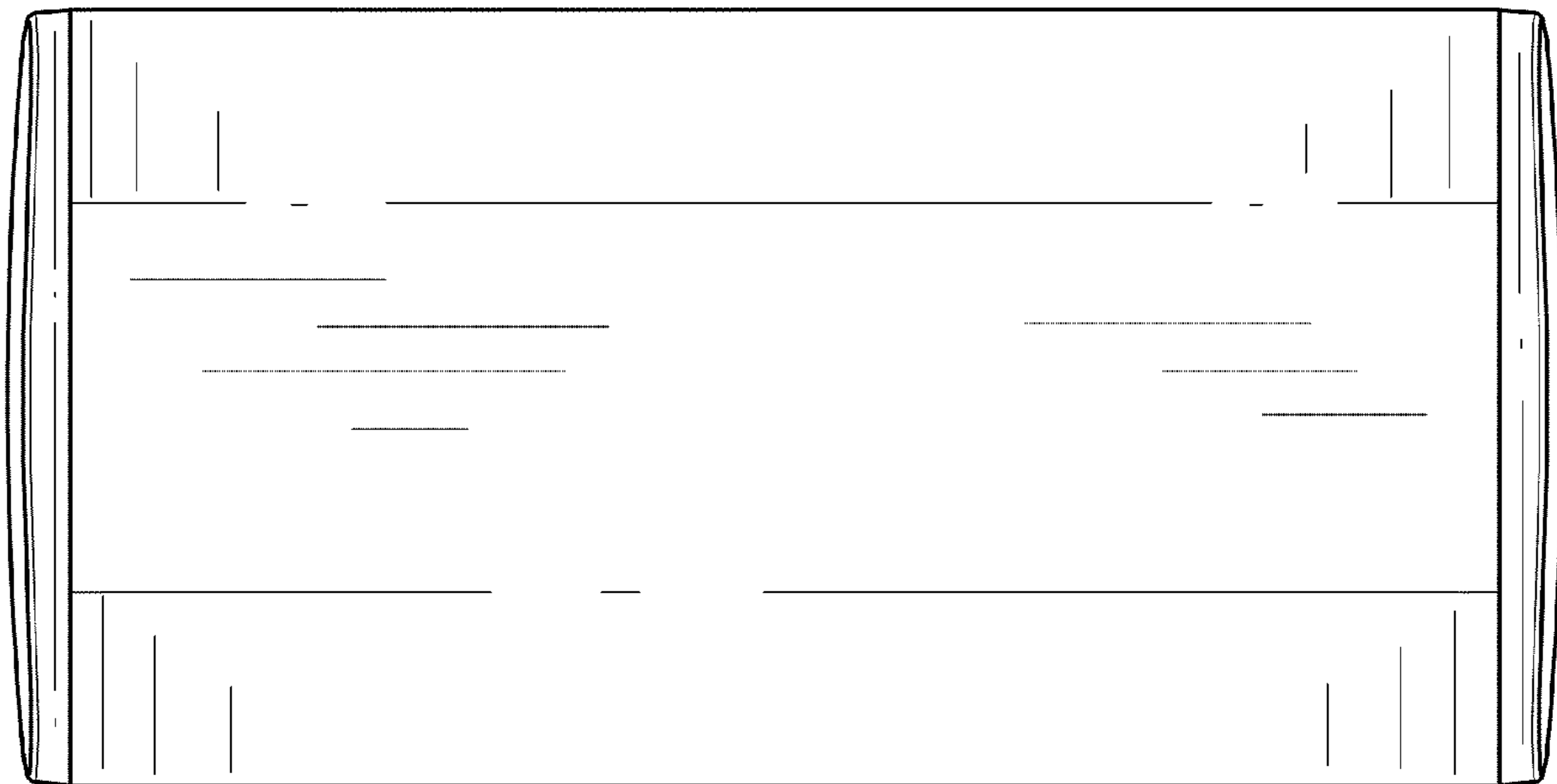


Fig. 5.

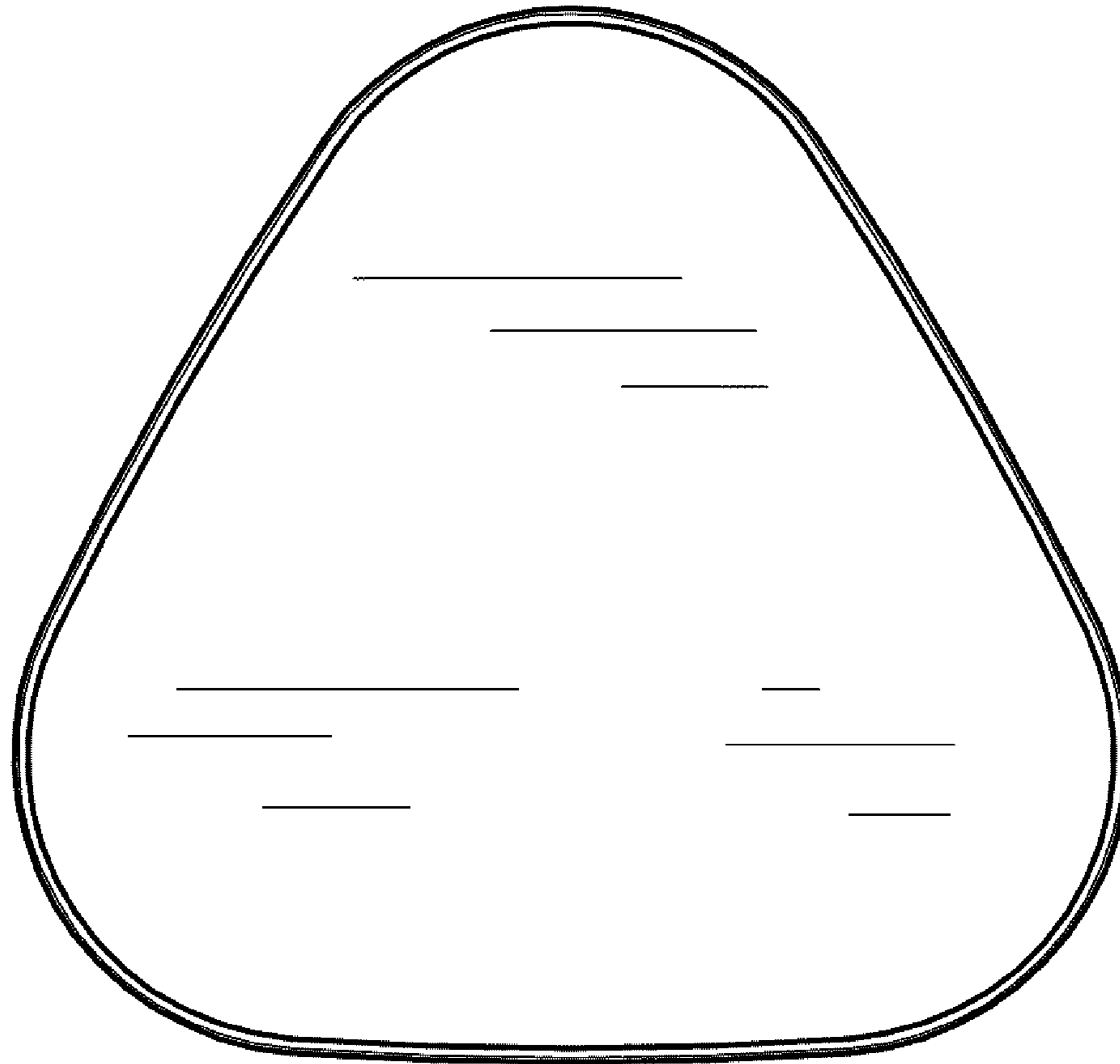


Fig. 6.