



US00D647567S

(12) **United States Design Patent**
Yuan

(10) **Patent No.:** **US D647,567 S**
(45) **Date of Patent:** **** Oct. 25, 2011**

(54) **CLIP HOLDER**

(75) Inventor: **Fang Yuan**, Ningbo (CN)

(73) Assignee: **Beifa Group Co., Ltd.**, Ningbo (CN)

(**) Term: **14 Years**

(21) Appl. No.: **29/382,411**

(22) Filed: **Jan. 3, 2011**

(30) **Foreign Application Priority Data**

Jul. 4, 2010 (CN) 2010 3 0237732

(51) **LOC (9) Cl.** **19-02**

(52) **U.S. Cl.** **D19/75**

(58) **Field of Classification Search** D3/201,
D3/304, 305; D9/414; D19/65, 75, 77-92;
206/214, 371; 221/212

See application file for complete search history.

(56) **References Cited**

U.S. PATENT DOCUMENTS

D59,910 S *	12/1921	Noble	D24/101
3,269,528 A *	8/1966	Leedy	206/338
D314,442 S *	2/1991	Shott et al.	D24/101
D323,352 S *	1/1992	Halm	D19/75
D325,395 S *	4/1992	Tu	D19/75
D340,744 S *	10/1993	Van Eijben et al.	D19/75
D356,914 S *	4/1995	Cecula	D6/536
D375,157 S *	10/1996	Kramer et al.	D24/101
D401,582 S *	11/1998	Gremchuck	D14/210

D443,107 S *	5/2001	Friesenhahn	D28/8.1
D447,835 S *	9/2001	Whitaker et al.	D28/8.1
D452,164 S *	12/2001	Buss	D10/14
D498,500 S *	11/2004	Stoddard et al.	D19/75
D505,453 S *	5/2005	Trombly	D19/75
D556,946 S *	12/2007	Seum et al.	D28/8.1
D632,385 S *	2/2011	van der Does	D24/101
D633,148 S *	2/2011	Nash	D19/86

OTHER PUBLICATIONS

Yuan, F., "Pen Holder," U.S. Appl. No. 29/382,409, filed Jan. 3, 2011.
Yuan, F., "Card Holder," U.S. Appl. No. 29/382,414, filed Jan. 3, 2011.

* cited by examiner

Primary Examiner — Elizabeth Albert

(74) *Attorney, Agent, or Firm* — Christensen O'Connor Johnson Kindness PLLC

(57) **CLAIM**

The ornamental design for a clip holder, as shown and described.

DESCRIPTION

FIG. 1 is an upper rear right perspective view of a clip holder showing my new design;

FIG. 2 is a front elevation view thereof;

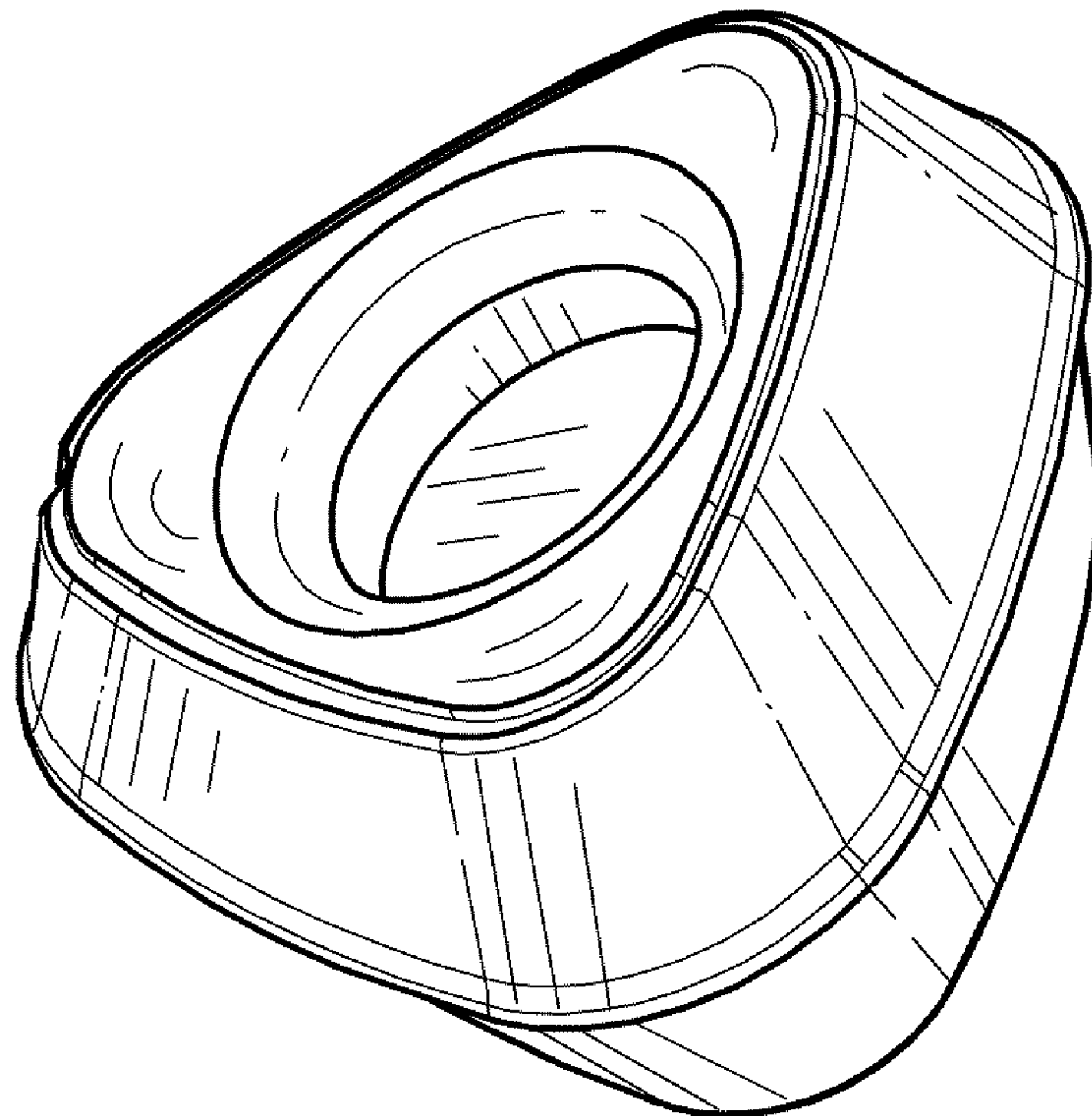
FIG. 3 is a rear elevation view thereof;

FIG. 4 is a right side elevation view thereof, with the left side elevation view being a minor image of the right side elevation view;

FIG. 5 is a top plan view thereof; and,

FIG. 6 is a bottom plan view thereof.

1 Claim, 4 Drawing Sheets



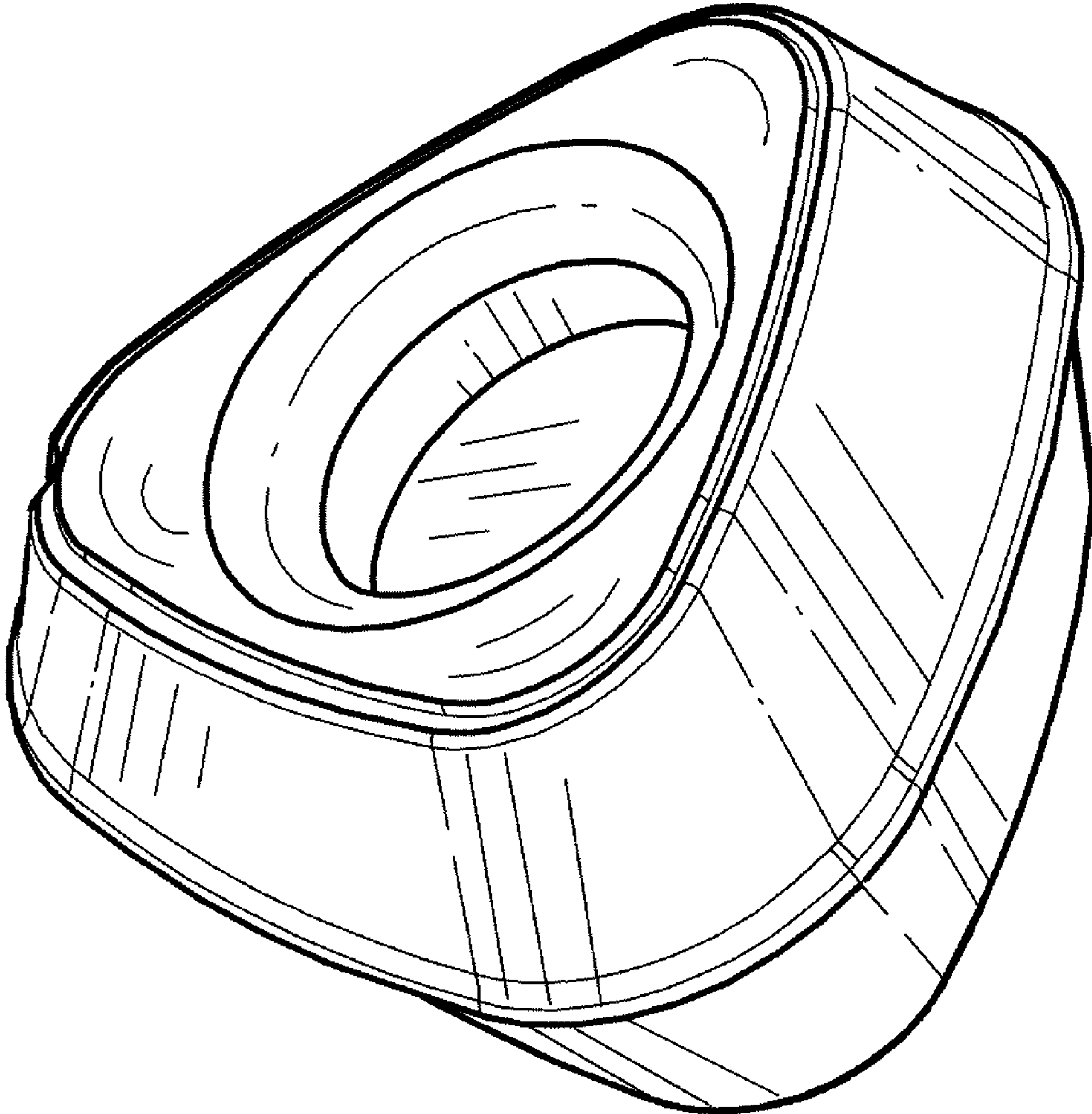


Fig. 1.

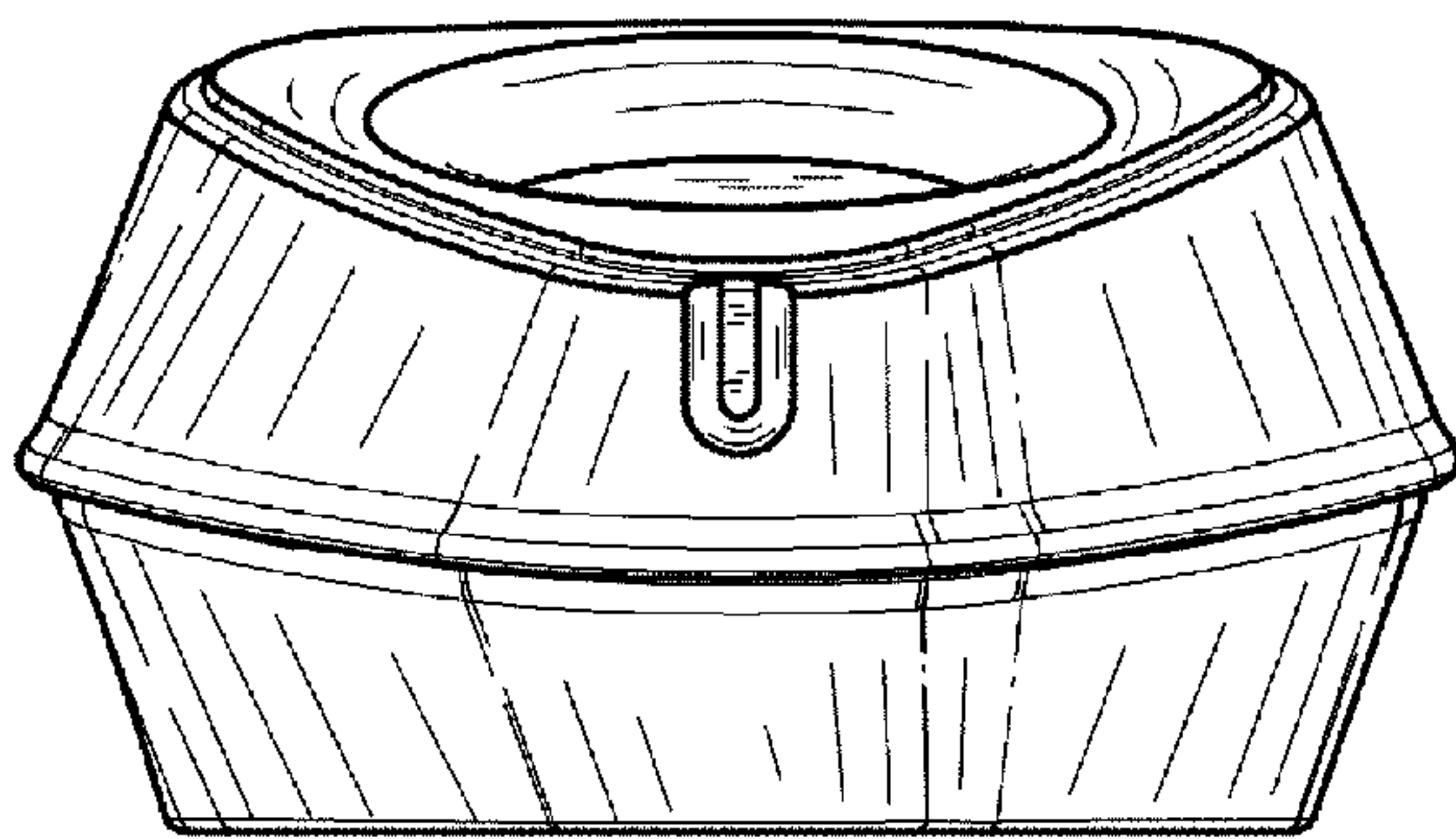


Fig.2.

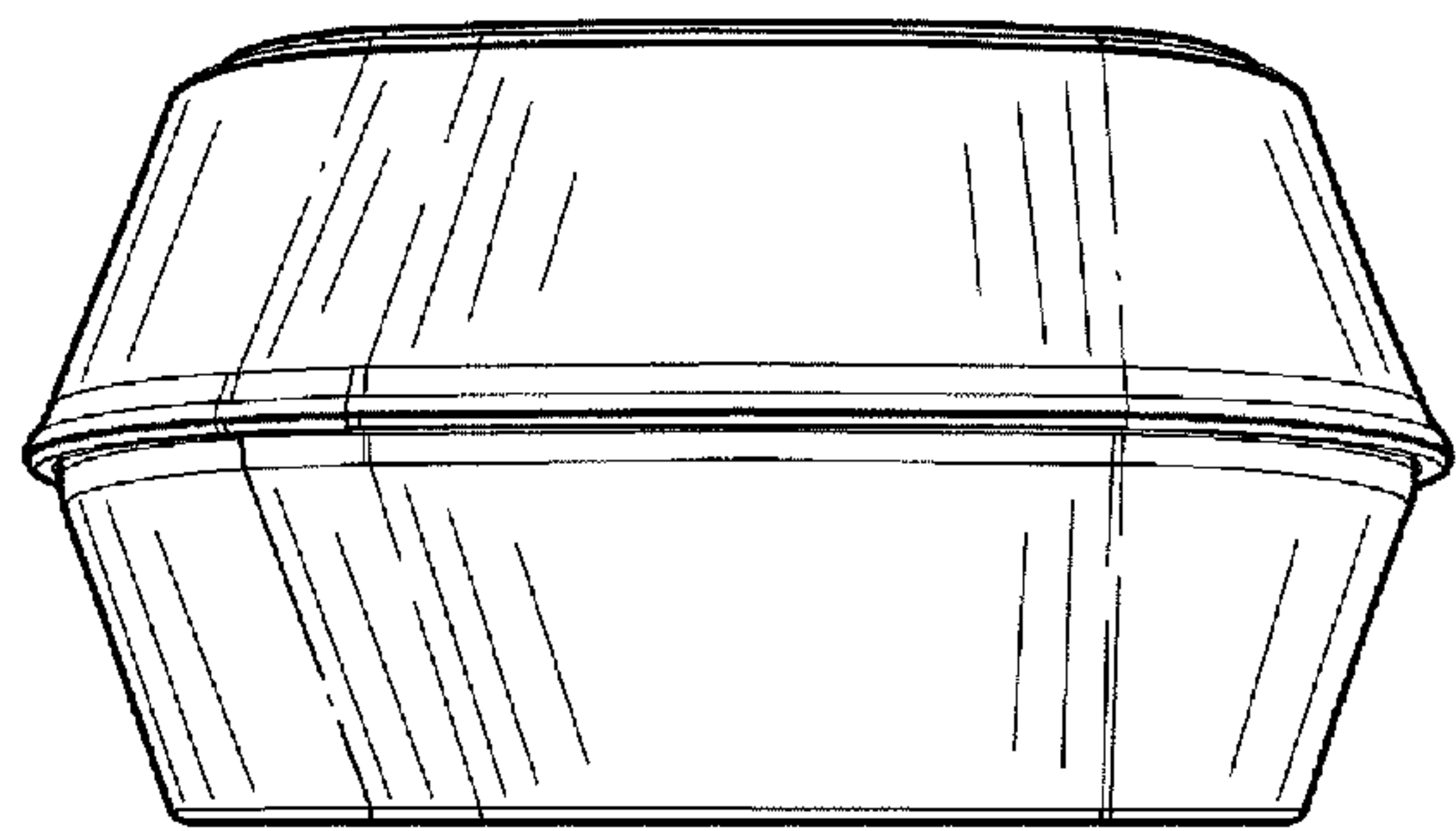


Fig.3.

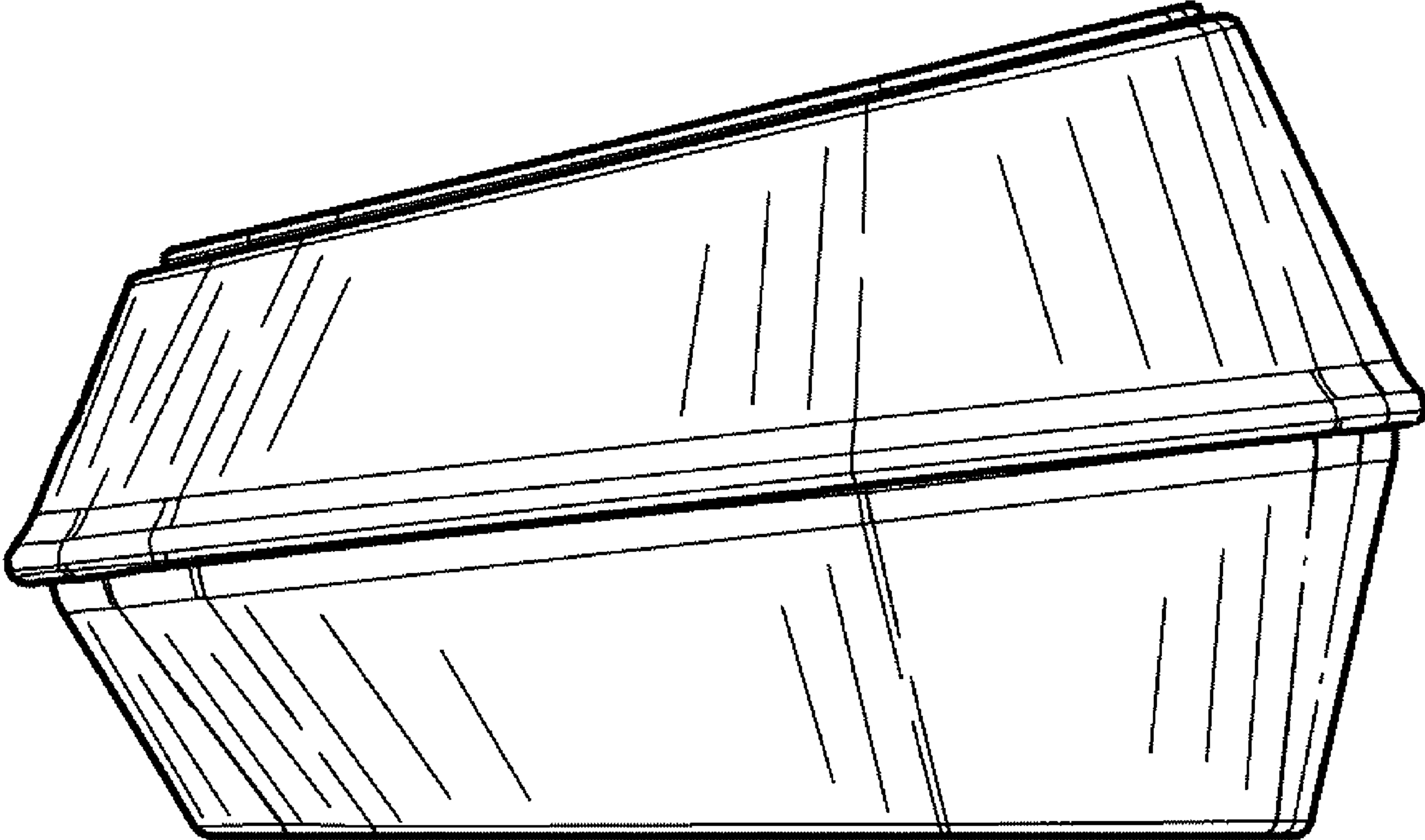


Fig. 4.

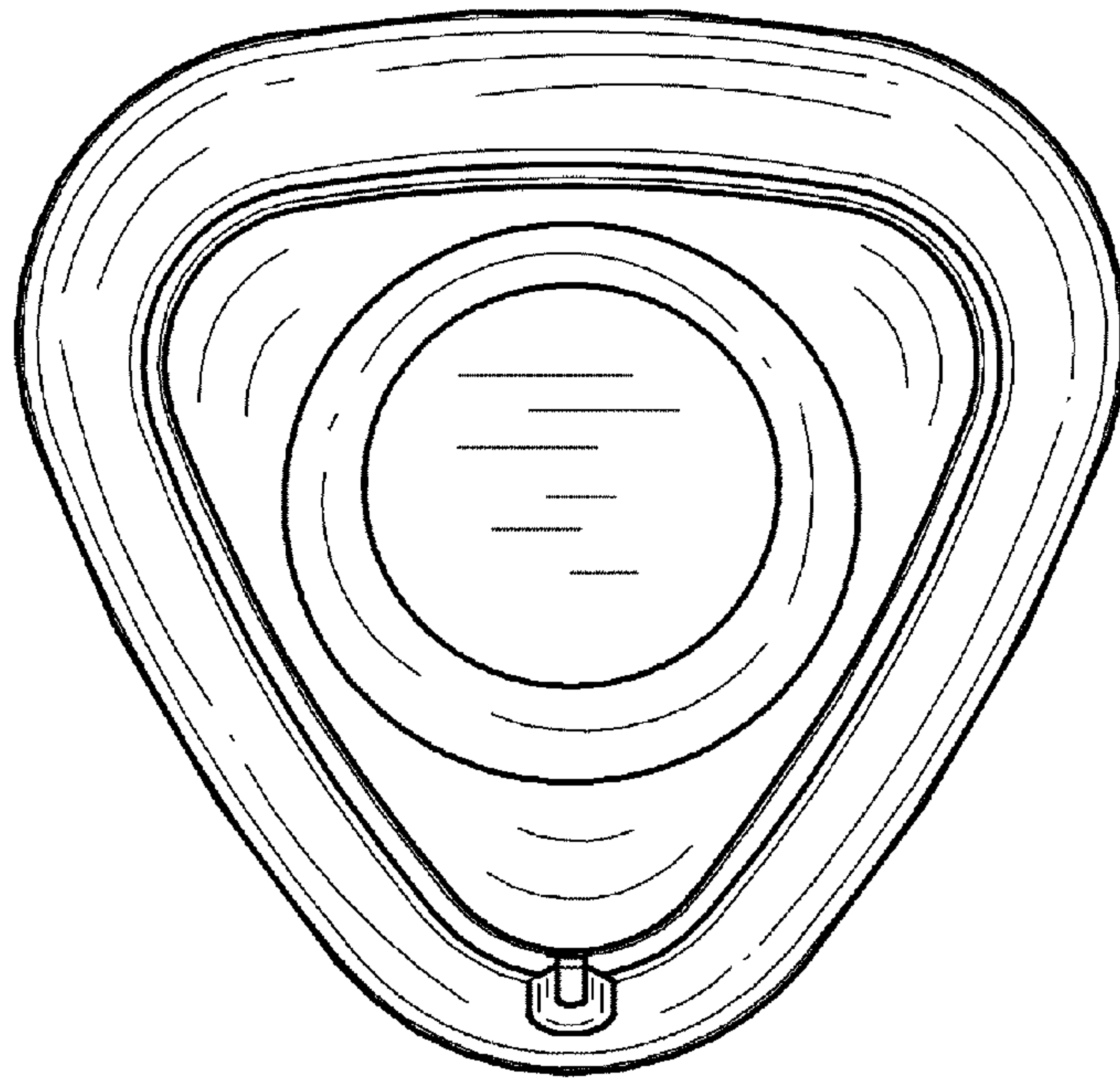


Fig. 5.

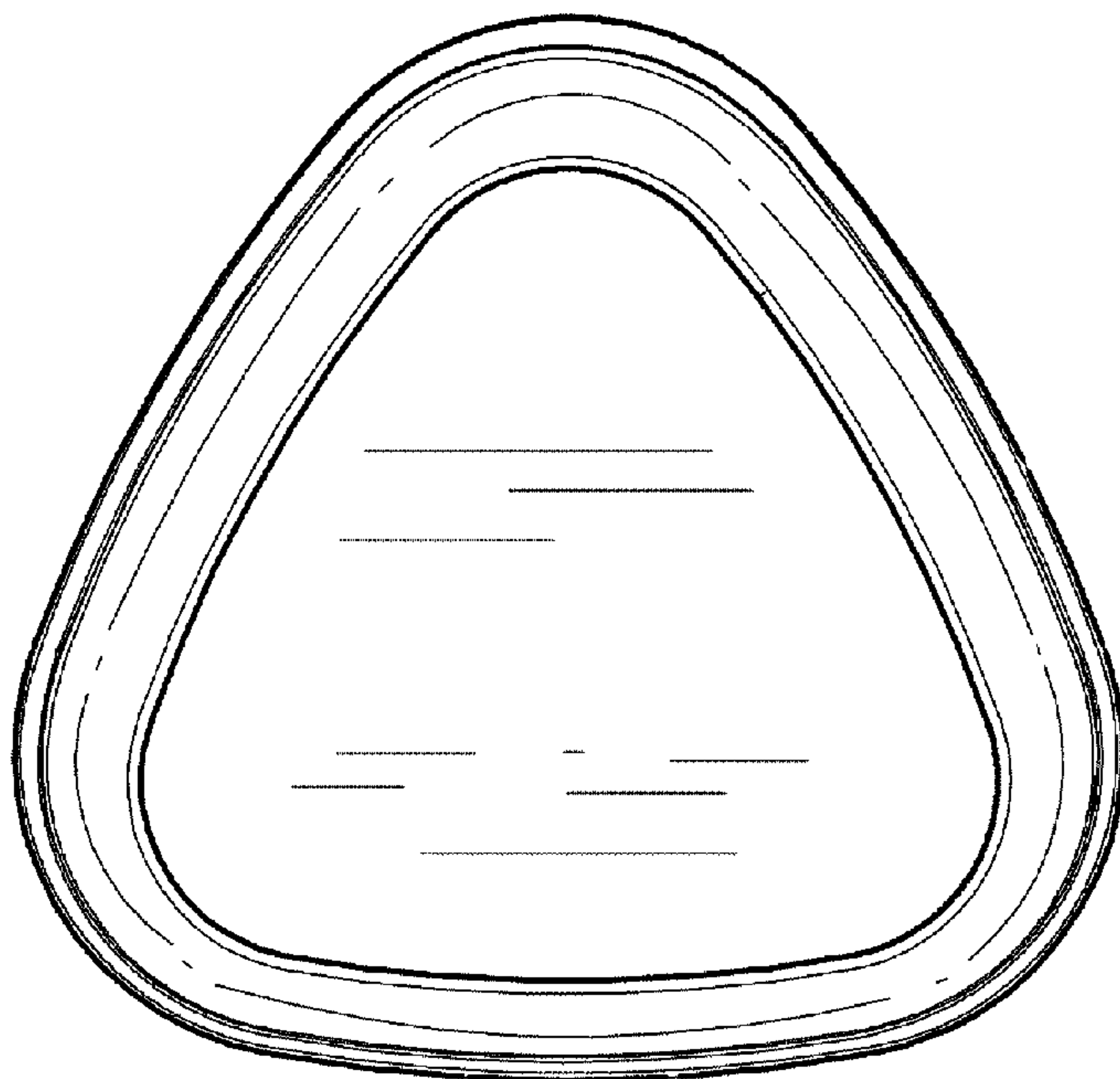


Fig. 6.

UNITED STATES PATENT AND TRADEMARK OFFICE
CERTIFICATE OF CORRECTION

PATENT NO. : D647,567 S
APPLICATION NO. : 29/382411
DATED : October 25, 2011
INVENTOR(S) : F. Yuan

Page 1 of 1

It is certified that error appears in the above-identified patent and that said Letters Patent is hereby corrected as shown below:

		<u>ERROR</u>
On the Title Page, Pg. 1, col. 2	(Description) Line 6 of text	“a minor image” should read --a mirror image--

Signed and Sealed this
Twenty-second Day of May, 2012



David J. Kappos
Director of the United States Patent and Trademark Office