



US00D647558S

(12) **United States Design Patent**  
**Eto**

(10) **Patent No.:** **US D647,558 S**

(45) **Date of Patent:** **\*\* Oct. 25, 2011**

(54) **TONER CARTRIDGE**

(75) Inventor: **Daisuke Eto**, Osaka (JP)

(73) Assignee: **Kyocera Mita Corporation**, Osaka (JP)

(\*\*) Term: **14 Years**

(21) Appl. No.: **29/375,970**

(22) Filed: **Sep. 30, 2010**

(30) **Foreign Application Priority Data**

Apr. 1, 2010 (JP) ..... 2010-008299

(51) **LOC (9) Cl.** ..... **16-03**

(52) **U.S. Cl.** ..... **D18/43**

(58) **Field of Classification Search** ..... D14/471;  
D18/12, 36, 40, 43, 44, 56; 222/DIG. 1;  
347/197, 222; 399/24-28, 107-112, 119,  
399/121, 122, 222-224  
See application file for complete search history.

(56) **References Cited**

**U.S. PATENT DOCUMENTS**

D366,275 S \* 1/1996 Komaki ..... D18/43

D366,276 S \* 1/1996 Yasuda ..... D18/43

D534,576 S \* 1/2007 Hashimoto et al. .... D18/43  
D552,164 S \* 10/2007 Kouroku et al. .... D18/43  
D594,507 S \* 6/2009 Kinoshita et al. .... D18/43  
D599,847 S \* 9/2009 Yasui et al. .... D18/43  
D604,358 S \* 11/2009 Kinoshita et al. .... D18/43

\* cited by examiner

*Primary Examiner* — Garth Rademaker

(74) *Attorney, Agent, or Firm* — Young & Thompson

(57) **CLAIM**

The ornamental design for a toner cartridge, as shown and described.

**DESCRIPTION**

FIG. 1 is a front, top, right side perspective view of a toner cartridge, showing my new design;  
FIG. 2 is a rear, bottom, left side perspective view thereof;  
FIG. 3 is a front elevation view thereof;  
FIG. 4 is a rear elevation view thereof;  
FIG. 5 is a top plan view thereof;  
FIG. 6 is a bottom plan view thereof;  
FIG. 7 is a right side elevation view thereof; and,  
FIG. 8 is a left side elevation view thereof.

**1 Claim, 5 Drawing Sheets**

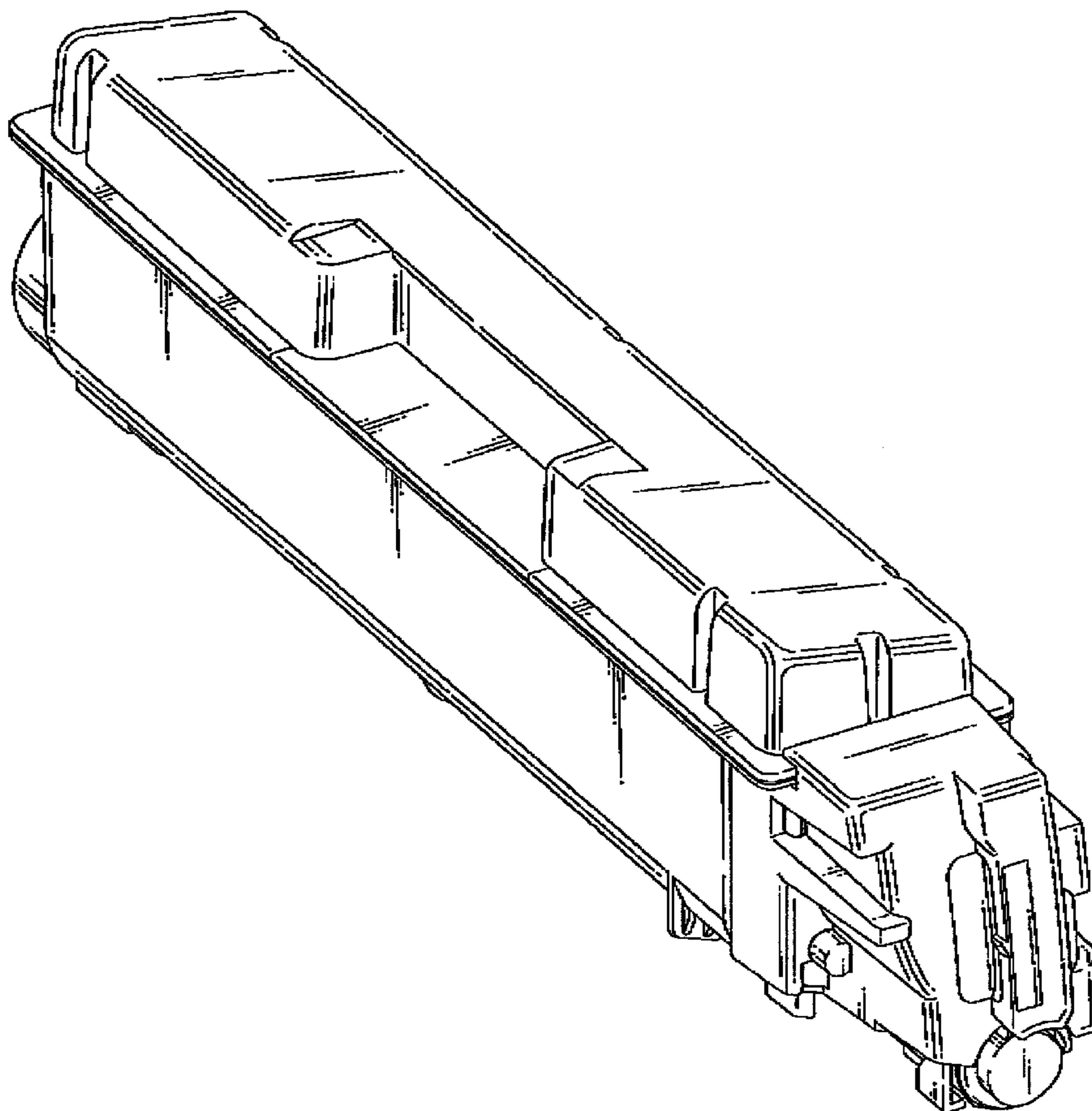
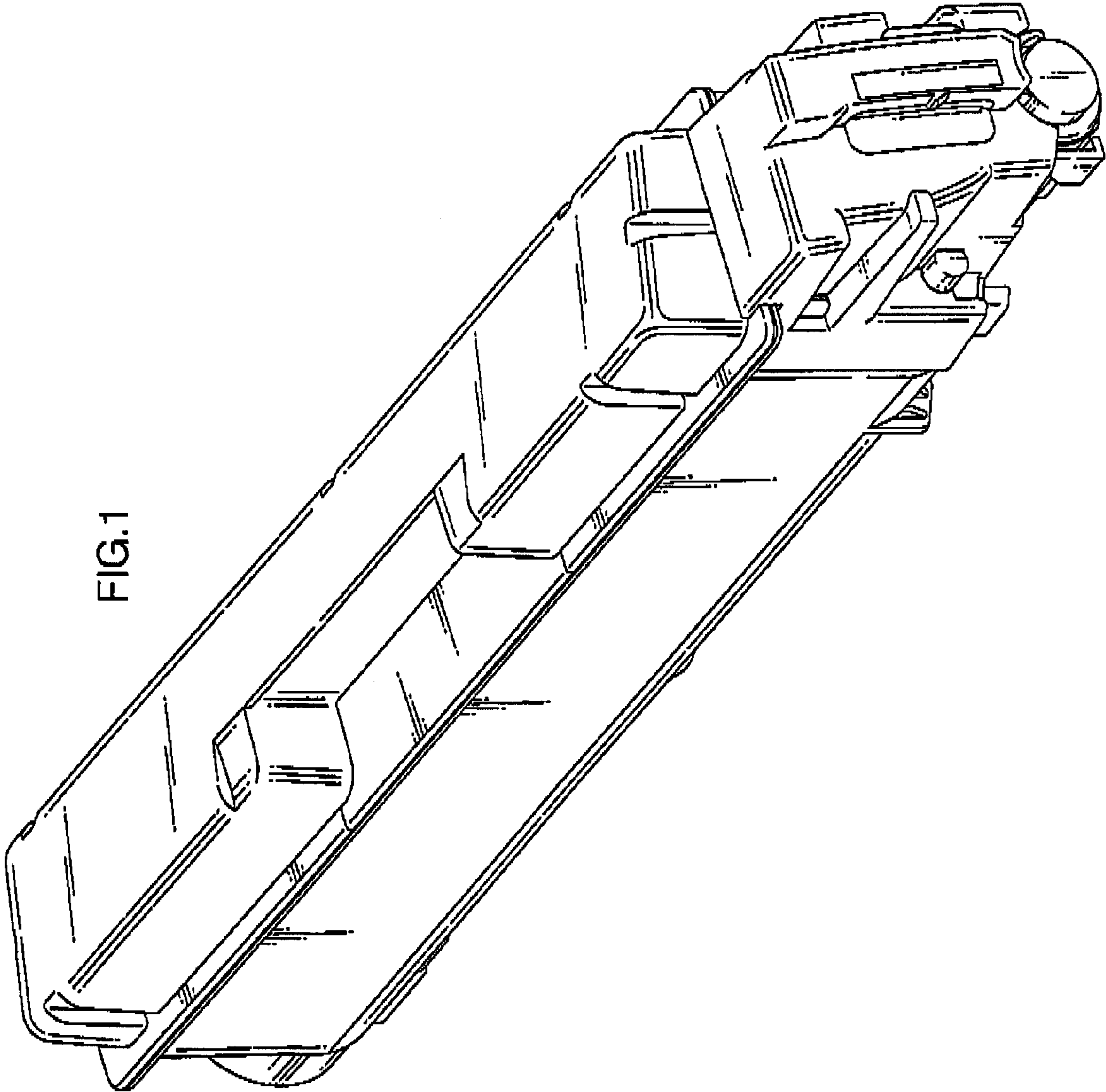


FIG.1



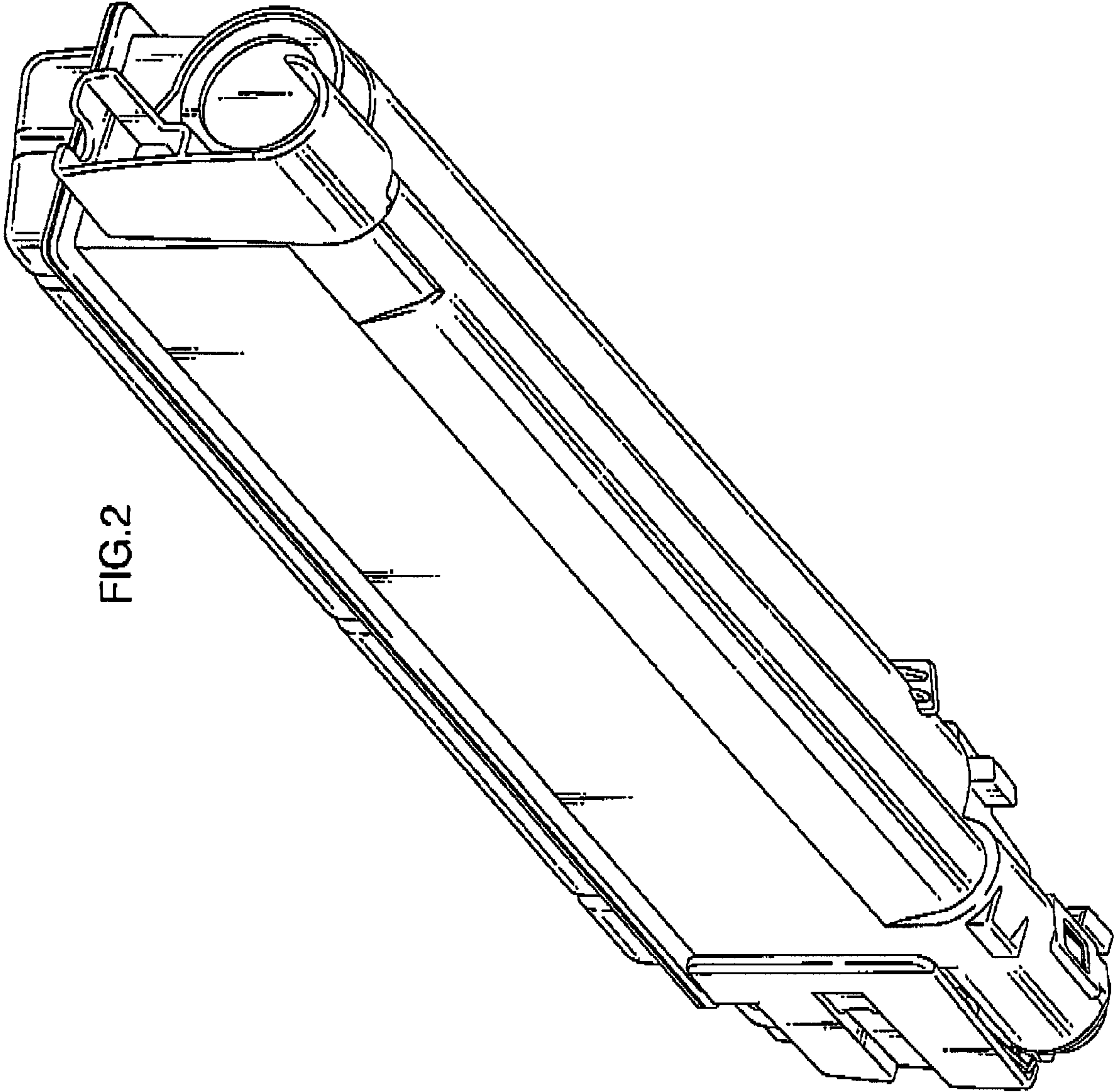


FIG. 2

FIG.3

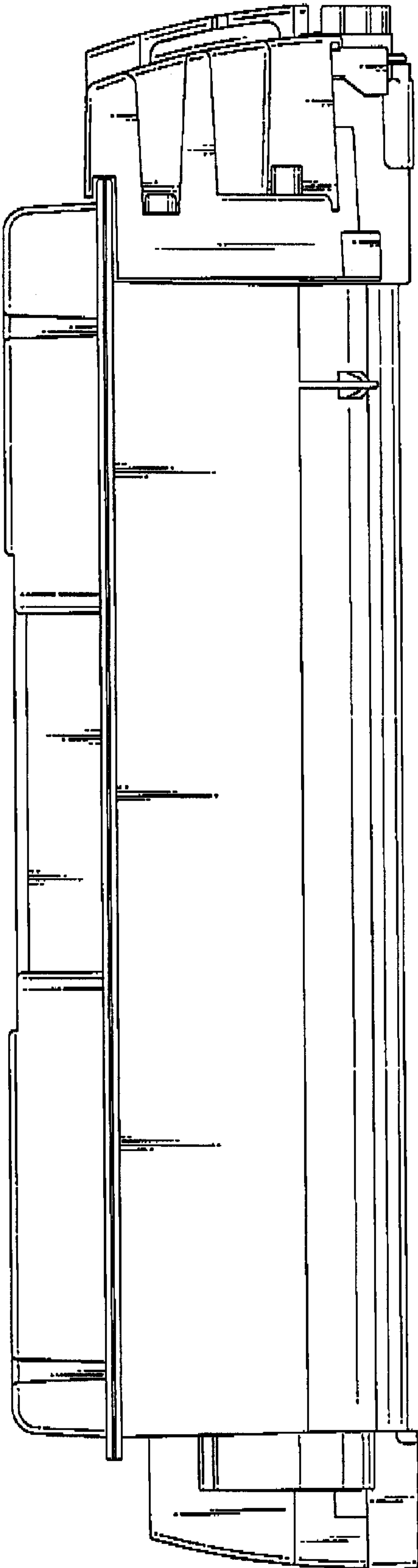


FIG.4

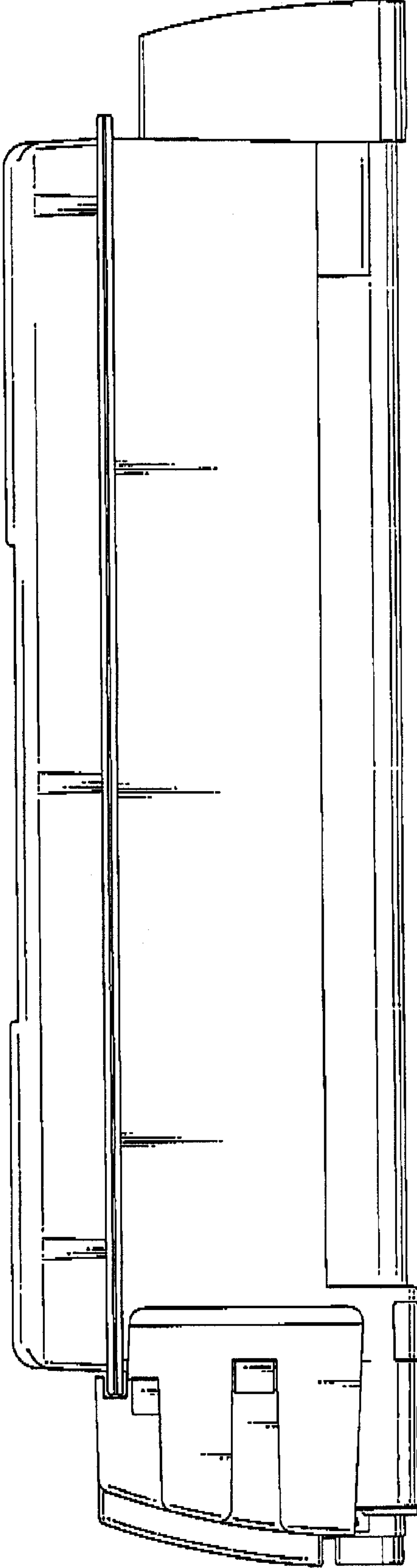


FIG.5

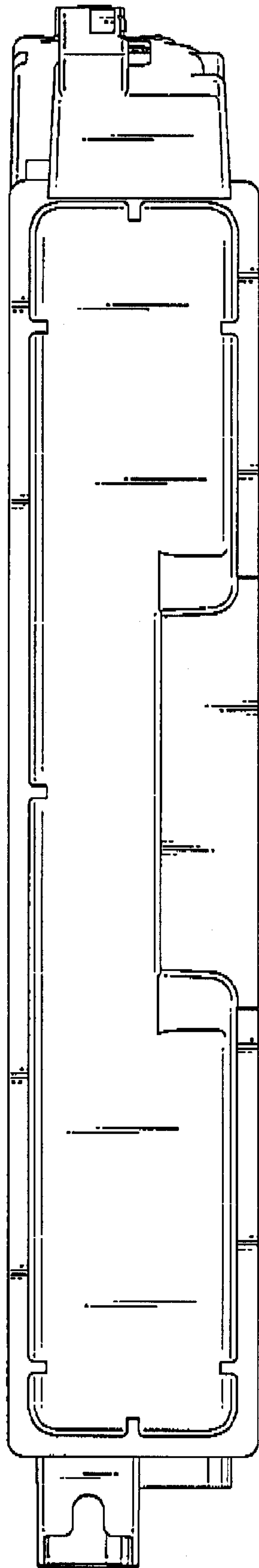


FIG.6

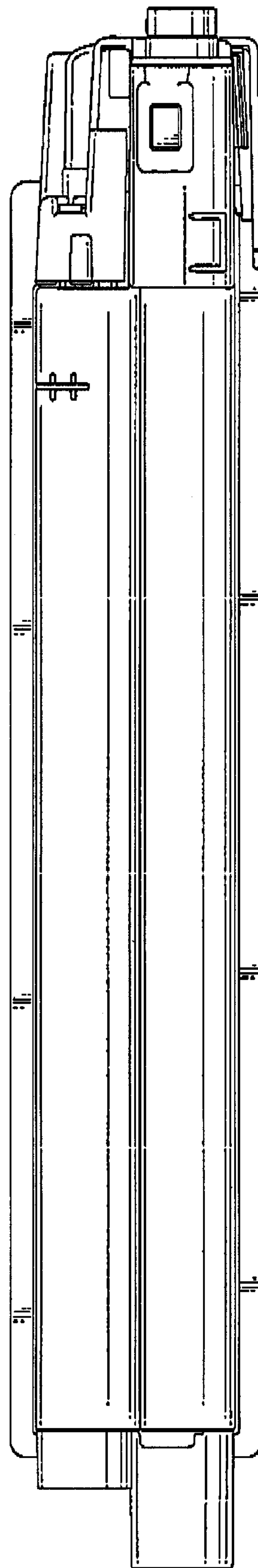




FIG.7

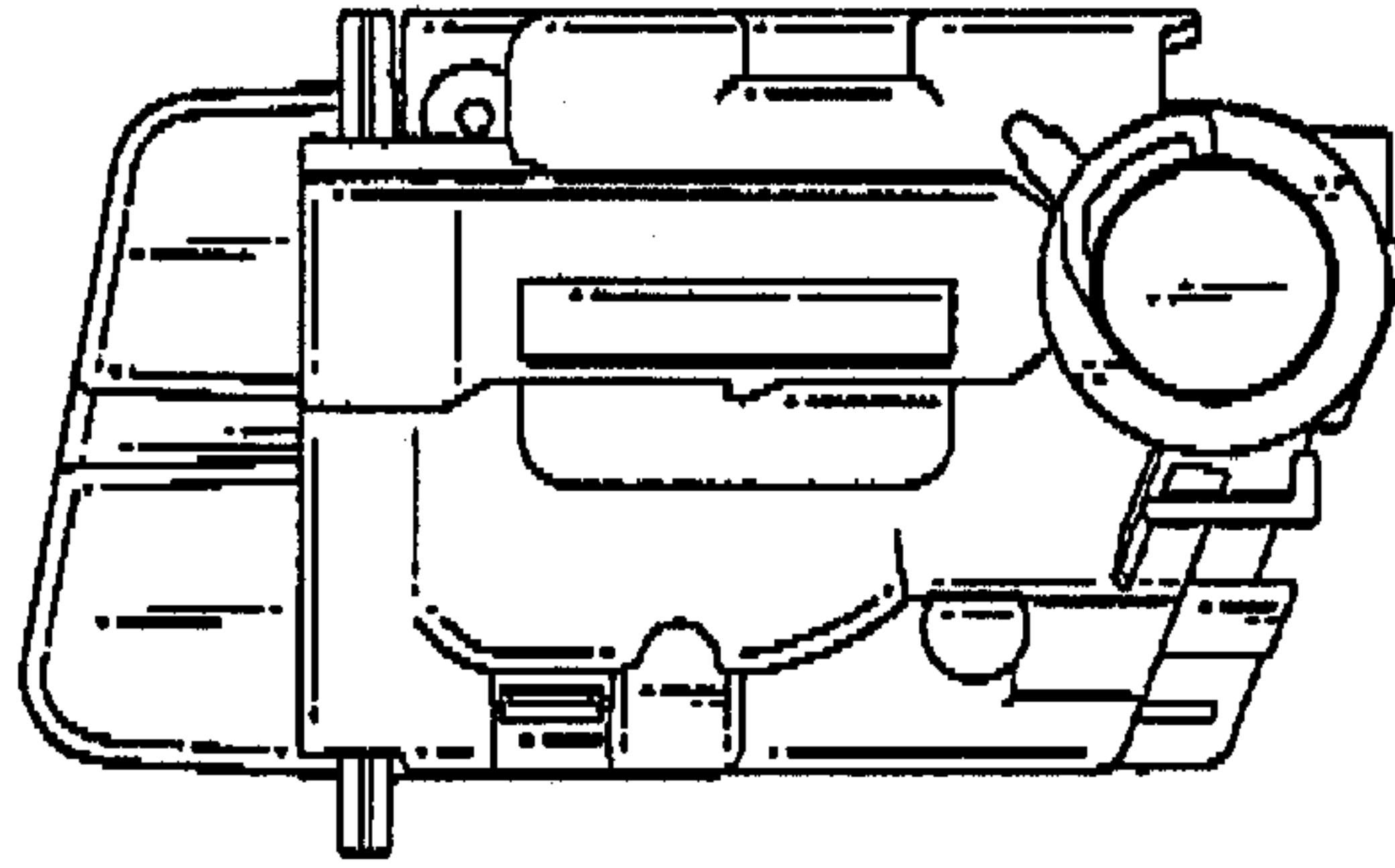


FIG.8

