



US00D647557S

(12) **United States Design Patent**  
**Iketani**

(10) **Patent No.:** **US D647,557 S**

(45) **Date of Patent:** **\*\* Oct. 25, 2011**

(54) **TONER CARTRIDGE**

D524,849 S \* 7/2006 Komai ..... D18/43  
D562,881 S \* 2/2008 Hatanaka ..... D18/43  
D562,882 S \* 2/2008 Hatanaka ..... D18/43

(75) Inventor: **Takeshi Iketani**, Osaka (JP)

(73) Assignee: **Kyocera Mita Corporation**, Osaka (JP)

(\*\*) Term: **14 Years**

(21) Appl. No.: **29/375,760**

(22) Filed: **Sep. 27, 2010**

(30) **Foreign Application Priority Data**

Mar. 31, 2010 (JP) ..... 2010-008046

(51) **LOC (9) Cl.** ..... **16-03**

(52) **U.S. Cl.** ..... **D18/43**

(58) **Field of Classification Search** ..... D14/471;  
D18/12, 36, 40, 43, 44, 56; 222/DIG. 1;  
347/197, 222; 399/24-28, 107-112, 119,  
399/121, 122, 222-224  
See application file for complete search history.

(56) **References Cited**

**U.S. PATENT DOCUMENTS**

D442,624 S \* 5/2001 Maeshima ..... D18/43  
D450,080 S \* 11/2001 Ashikari ..... D18/40

**FOREIGN PATENT DOCUMENTS**

KR 30-0336541 10/2003

\* cited by examiner

*Primary Examiner* — Garth Rademaker

(74) *Attorney, Agent, or Firm* — Young & Thompson

(57) **CLAIM**

The ornamental design for a toner cartridge, as shown and described.

**DESCRIPTION**

FIG. 1 is a front, top, right side perspective view of a toner cartridge, showing my new design;  
FIG. 2 is a rear, bottom, left side perspective view thereof;  
FIG. 3 is a front elevation view thereof;  
FIG. 4 is a rear elevation view thereof;  
FIG. 5 is a top plan view thereof;  
FIG. 6 is a bottom plan view thereof;  
FIG. 7 is a right side elevation view thereof; and,  
FIG. 8 is a left side elevation view thereof.

**1 Claim, 7 Drawing Sheets**

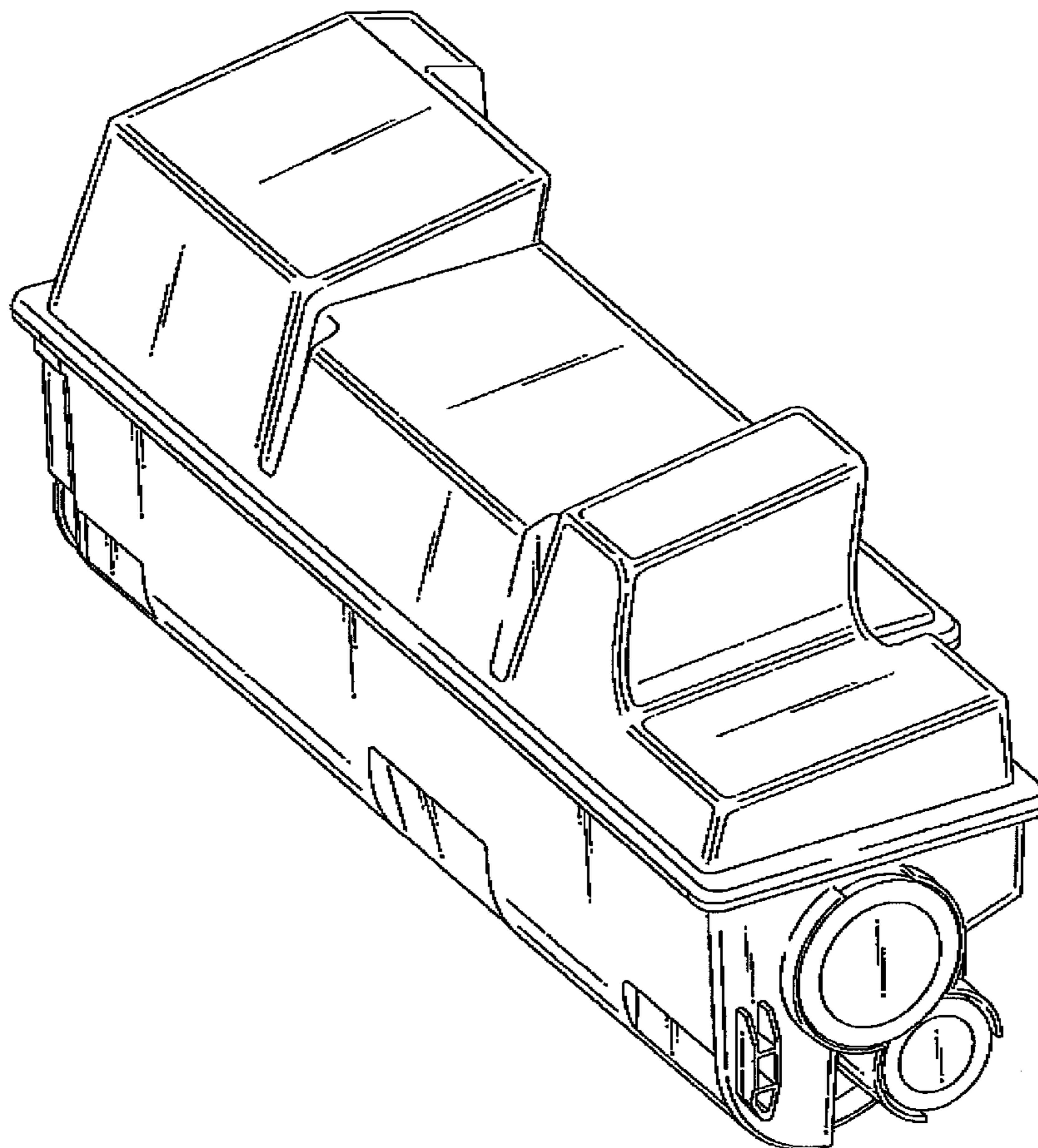
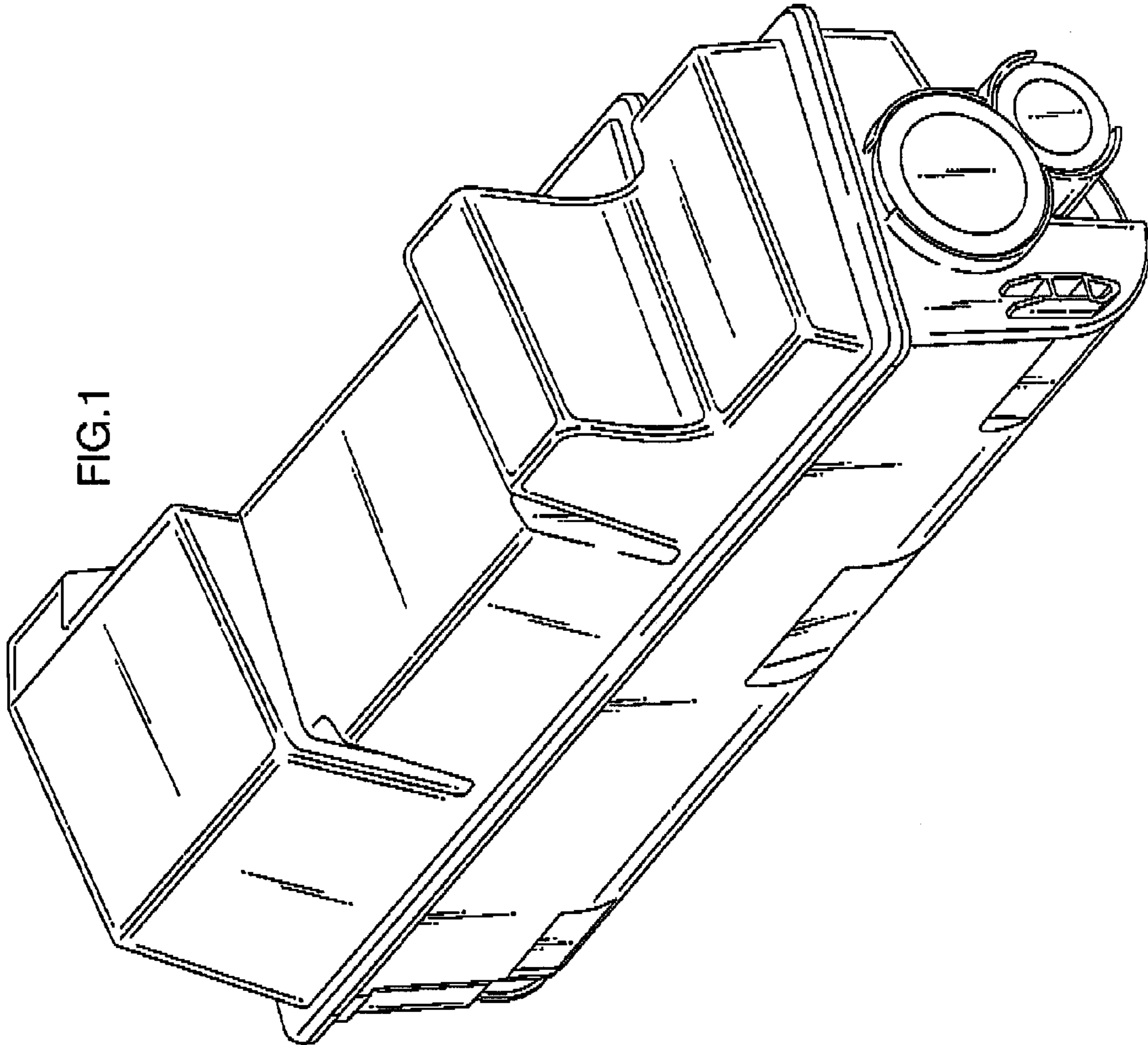


FIG.1



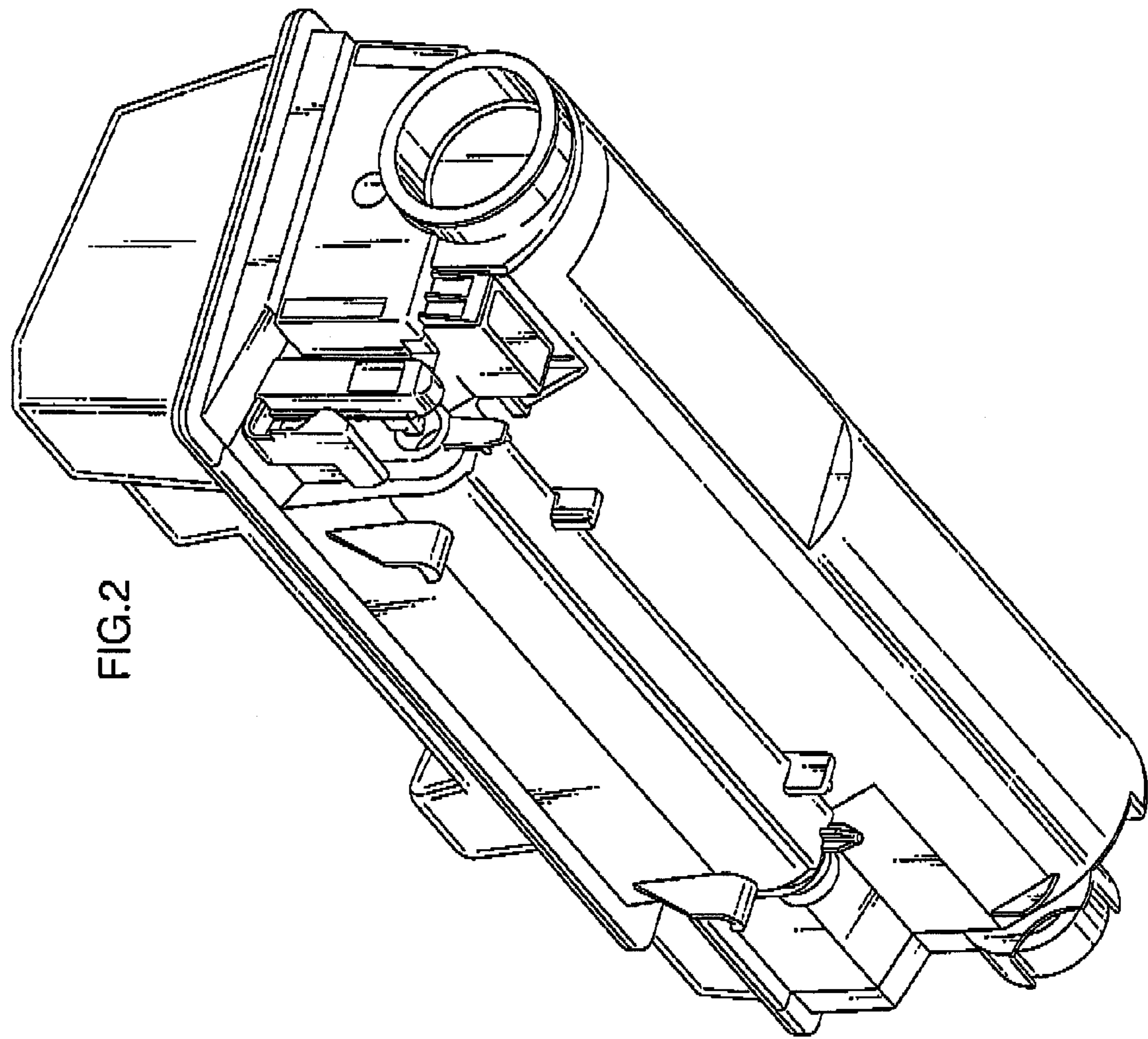


FIG.2

FIG.3

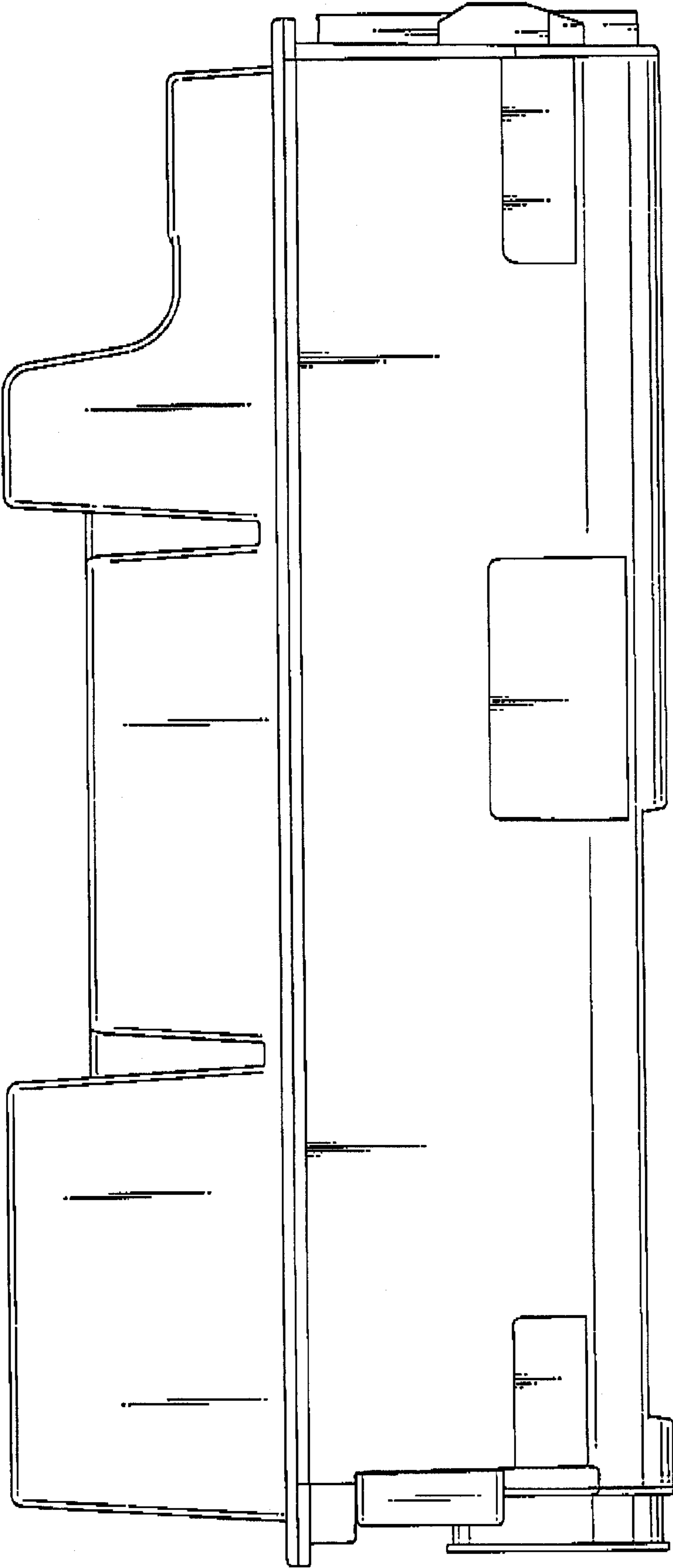
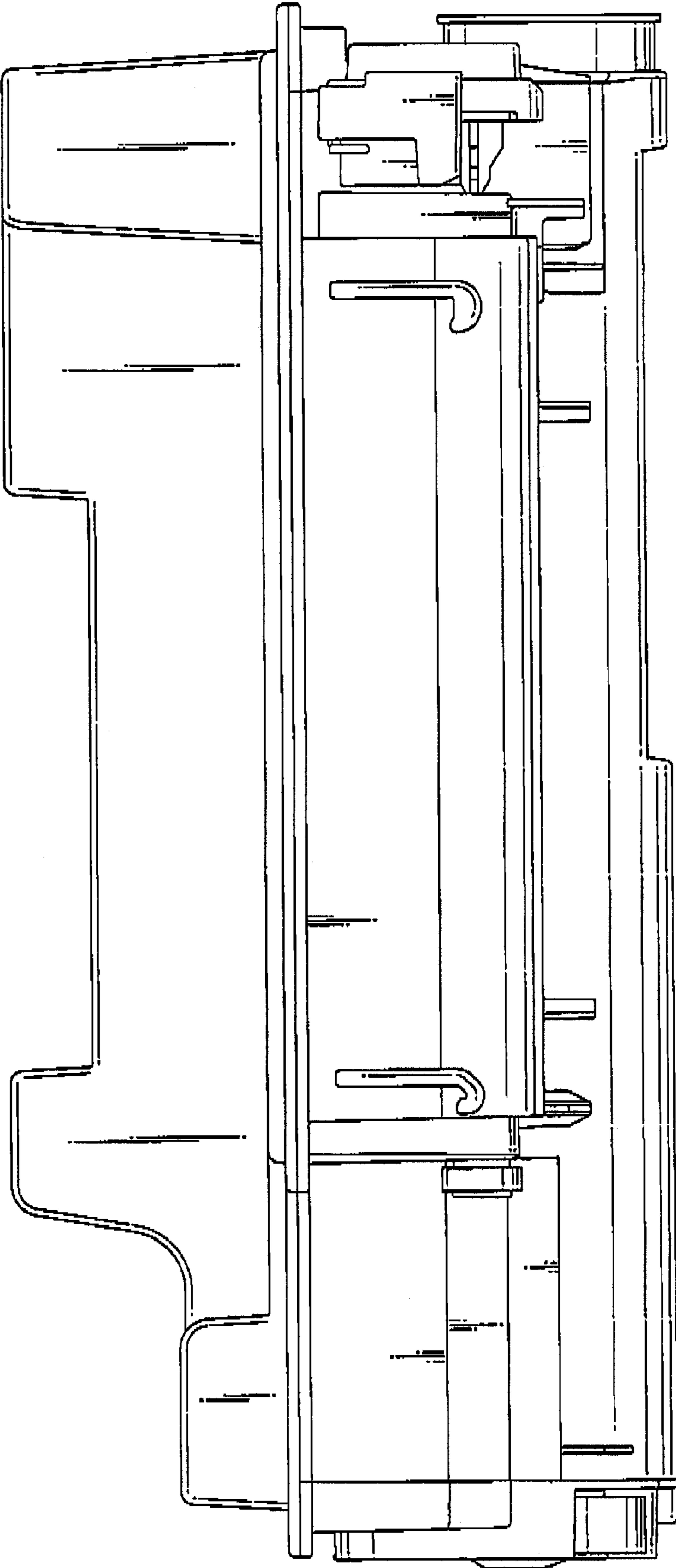


FIG.4



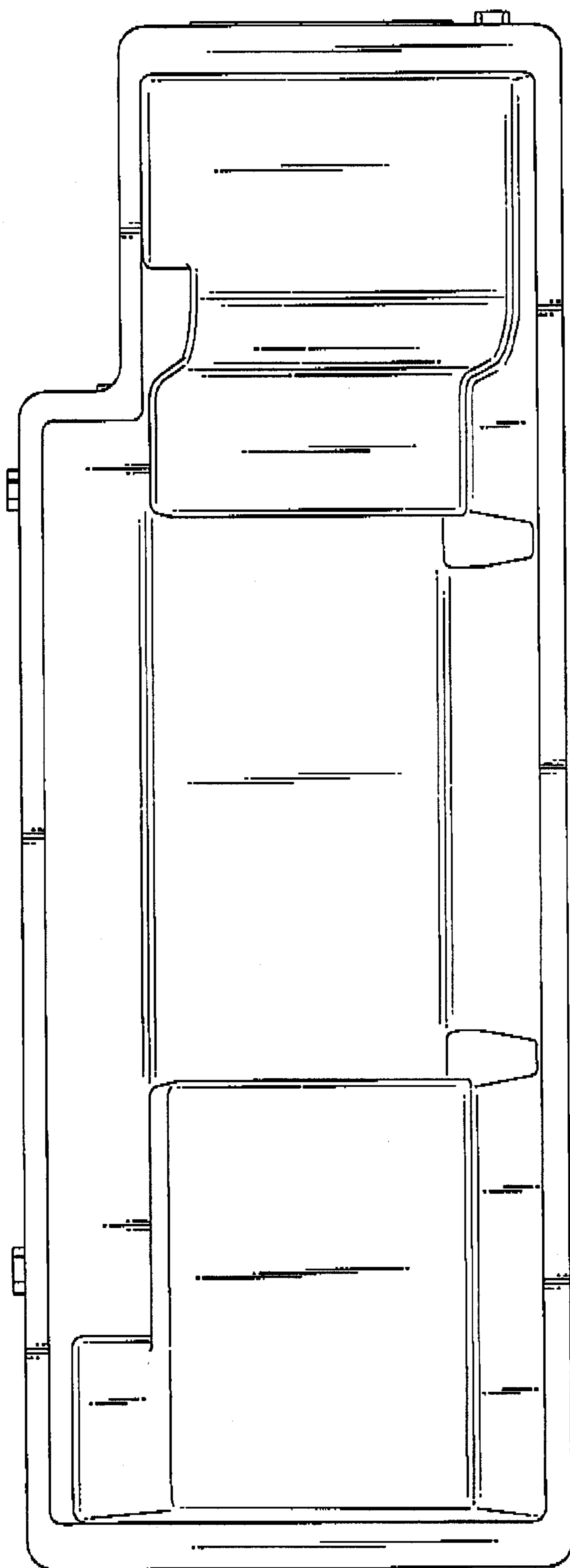


FIG.5

FIG.6

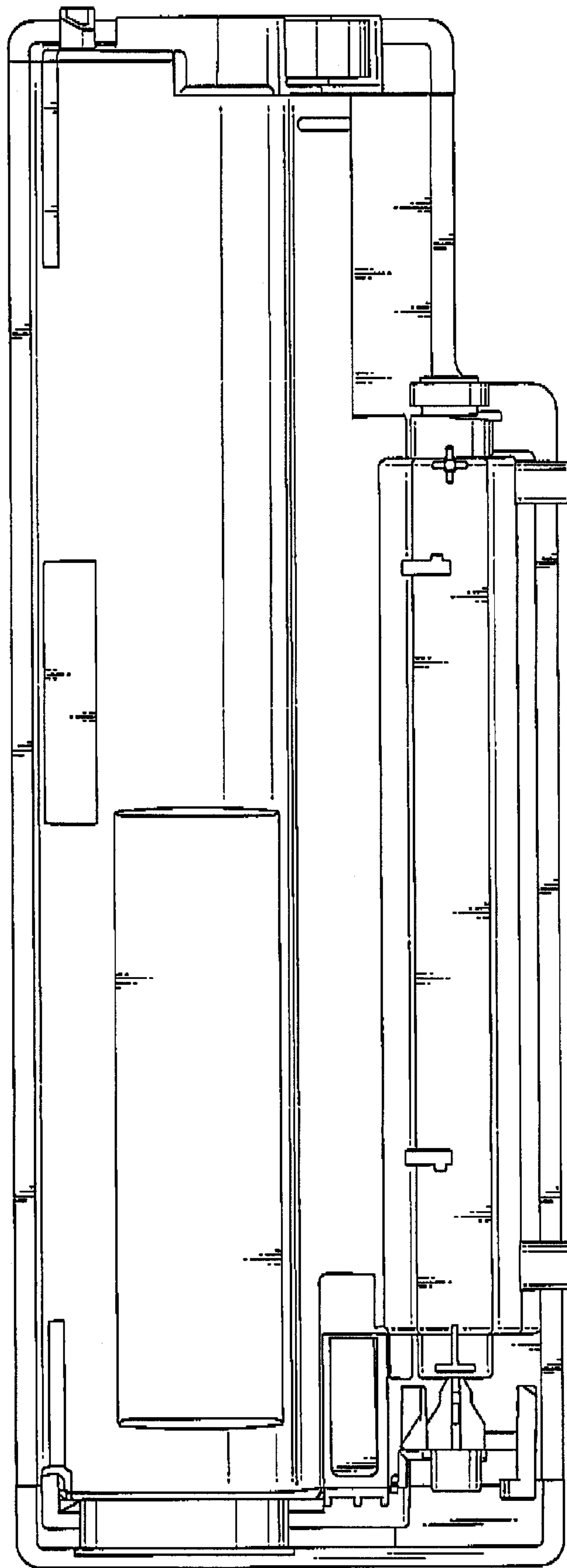


FIG.7

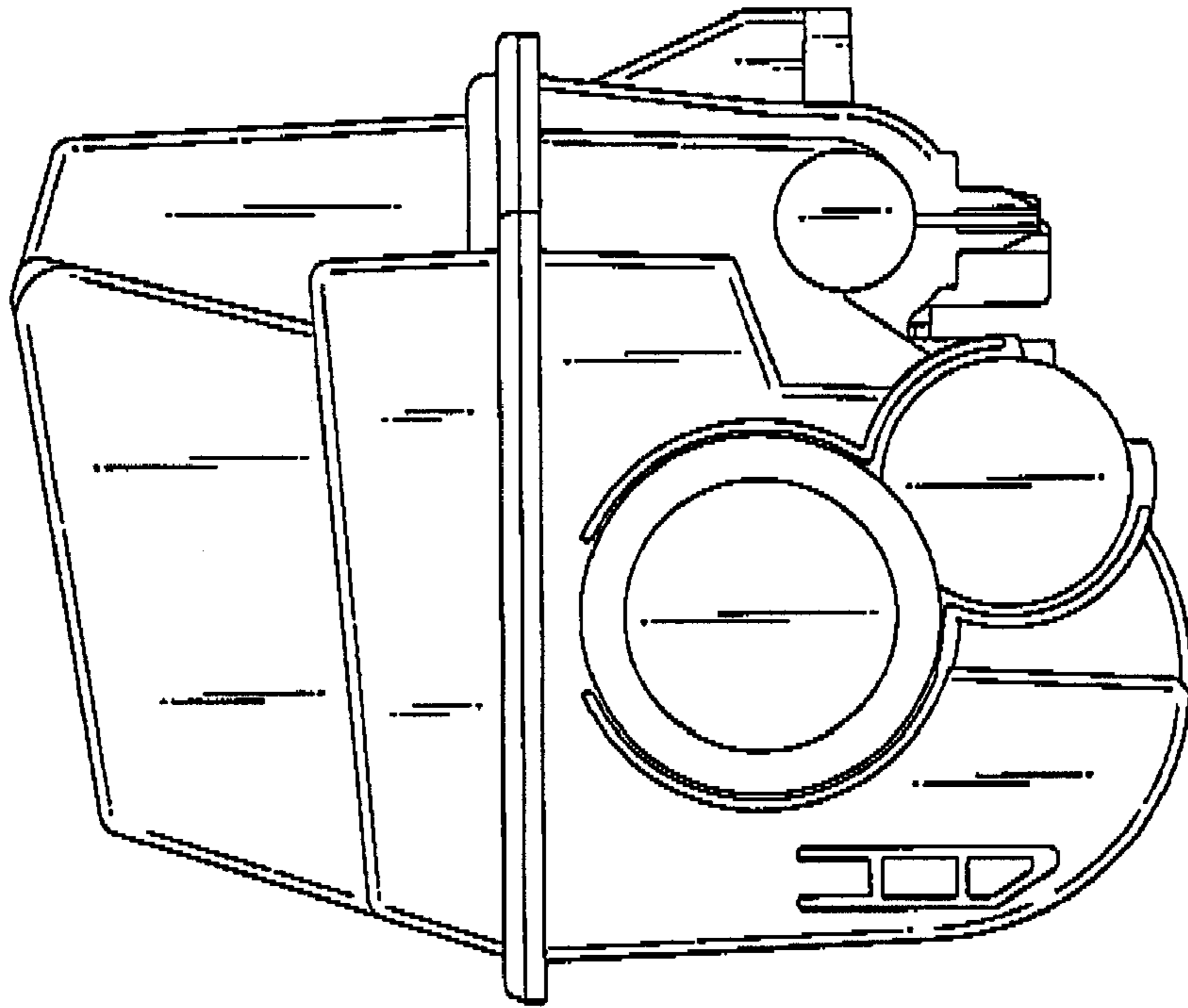


FIG.8

