



US00D647555S

(12) **United States Design Patent**
Ogawa et al.

(10) **Patent No.:** **US D647,555 S**
(45) **Date of Patent:** **** Oct. 25, 2011**

(54) **PROJECTOR**

(75) Inventors: **Susumu Ogawa**, Tokyo (JP); **Yukihiko Oota**, Tokyo (JP); **Takayuki Okamoto**, Tokyo (JP); **Junsi Lee**, Tokyo (JP); **Yuichiro Nara**, Tokyo (JP); **Mariko Ouchi**, Tokyo (JP); **Mitsuhiro Shimizu**, Tokyo (JP); **Takuji Katsutani**, Tokyo (JP)

(73) Assignee: **NEC Display Solutions, Ltd.**, Tokyo (JP)

(**) Term: **14 Years**

(21) Appl. No.: **29/379,904**

(22) Filed: **Nov. 26, 2010**

(30) **Foreign Application Priority Data**

May 28, 2010 (JP) 2010-13278

(51) **LOC (9) Cl.** **16-02**

(52) **U.S. Cl.** **D16/235; D16/230**

(58) **Field of Classification Search** D16/200–205, D16/208, 219, 221, 225, 229, 230–231, 234–235; D21/514; 352/34, 242; 353/88, 101, 115, 353/119, 122; 396/349, 448

See application file for complete search history.

(56) **References Cited**

U.S. PATENT DOCUMENTS

D498,491	S	*	11/2004	Ohki et al.	D16/235
D545,342	S	*	6/2007	Sakamaki et al.	D16/235
D548,264	S	*	8/2007	Sakamaki et al.	D16/230
7,258,468	B2	*	8/2007	Peng et al.	362/362
7,677,739	B2	*	3/2010	Kuroda	353/88
D633,547	S	*	3/2011	Yamaguchi et al.	D16/235

* cited by examiner

Primary Examiner — Wan Laymon

(74) *Attorney, Agent, or Firm* — Sughrue Mion, PLLC

(57) **CLAIM**

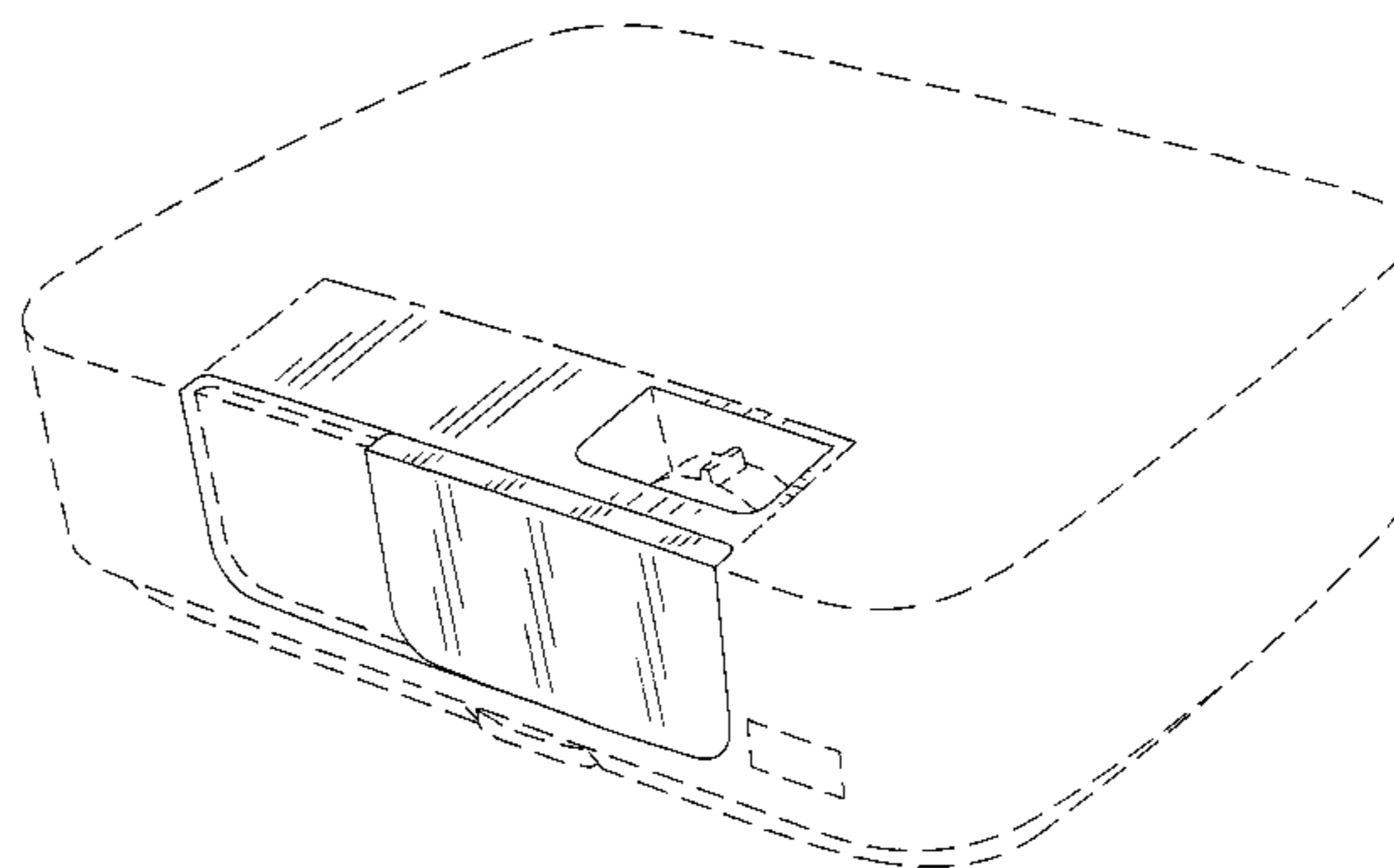
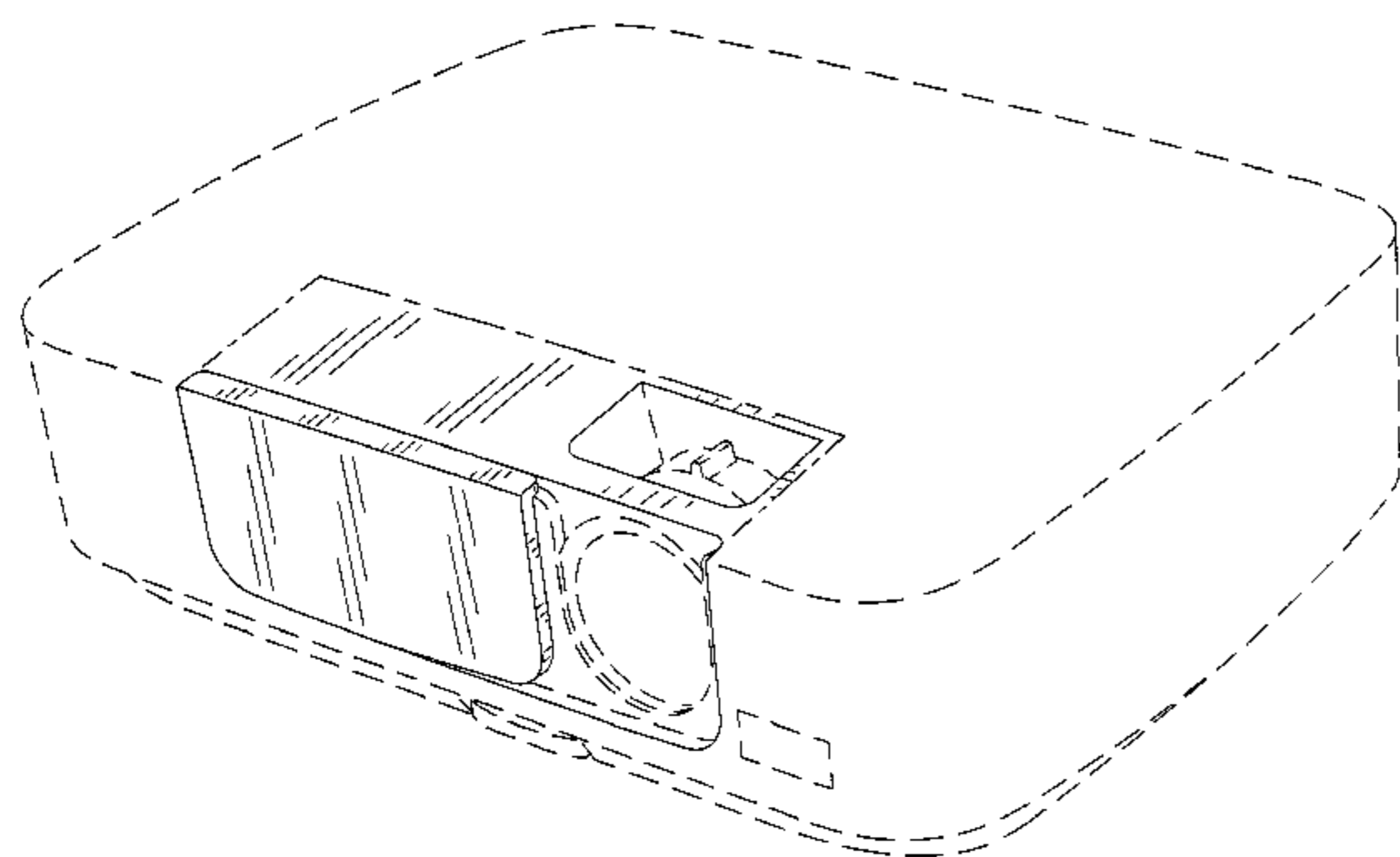
The ornamental design for a projector, as shown and described.

DESCRIPTION

FIG. 1 is a front, right side, top perspective view of a projector showing our new design; FIG. 2 is a front elevational view thereof; FIG. 3 is a rear elevational view thereof; FIG. 4 is a left side view thereof; FIG. 5 is a right side view thereof; FIG. 6 is a top plan view thereof; FIG. 7 is a bottom plan view thereof; and, FIG. 8 is a perspective view thereof, showing a state in which a lens cover is closed.

The dash-dot line immediately adjacent to shaded areas represent the bounds of the claimed design while all other broken lines showing portions of a projector are included for the purpose of illustrating environmental structure and form no part of the claimed design; none of the broken lines form part of the claimed design.

1 Claim, 8 Drawing Sheets



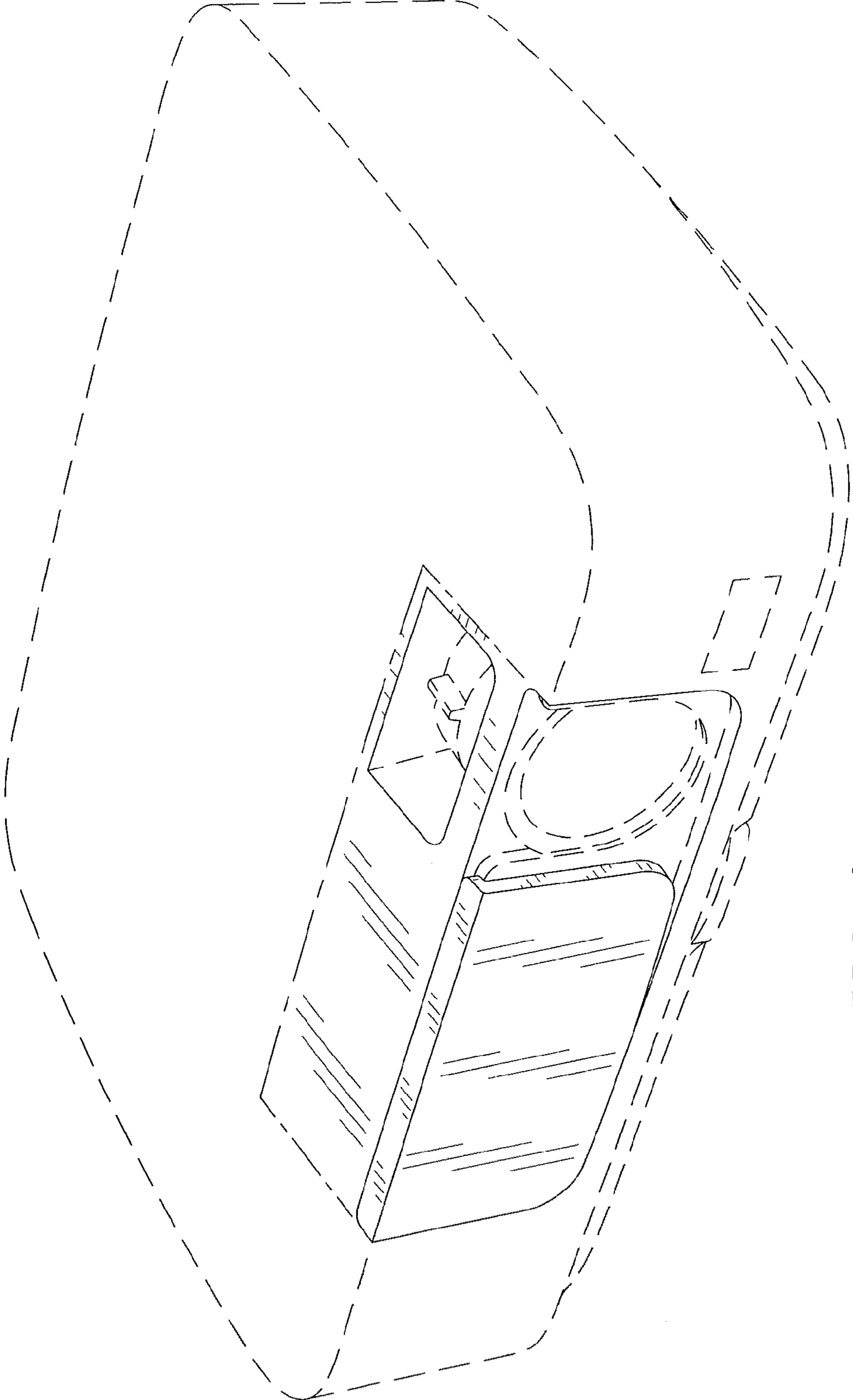


FIG. 1

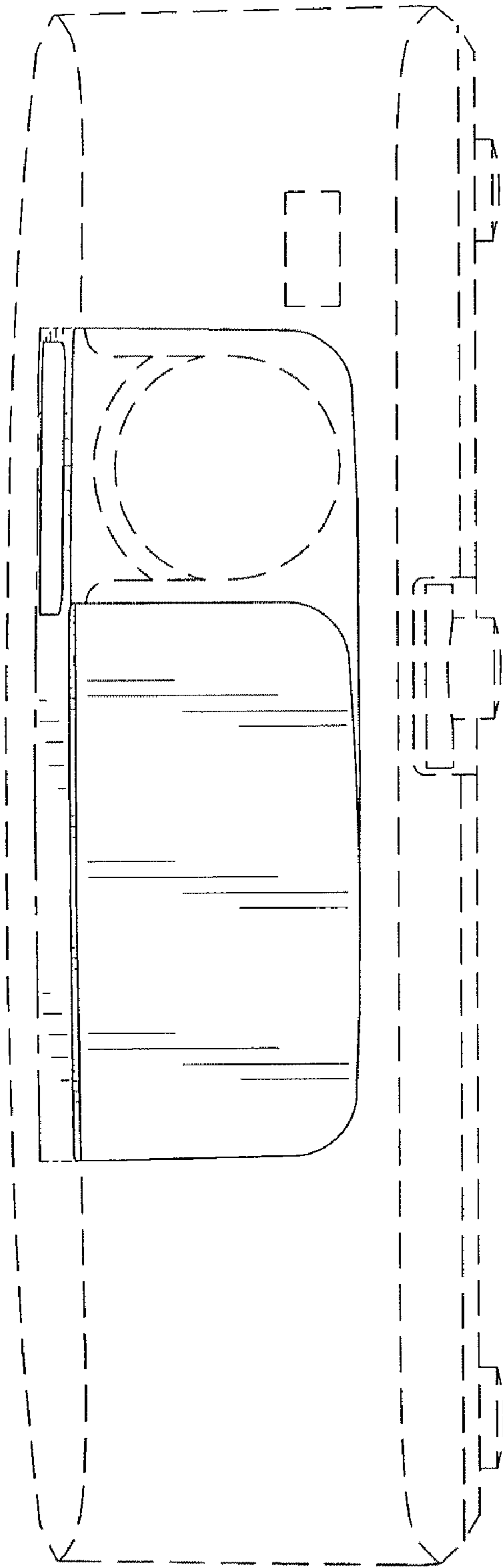


FIG. 2

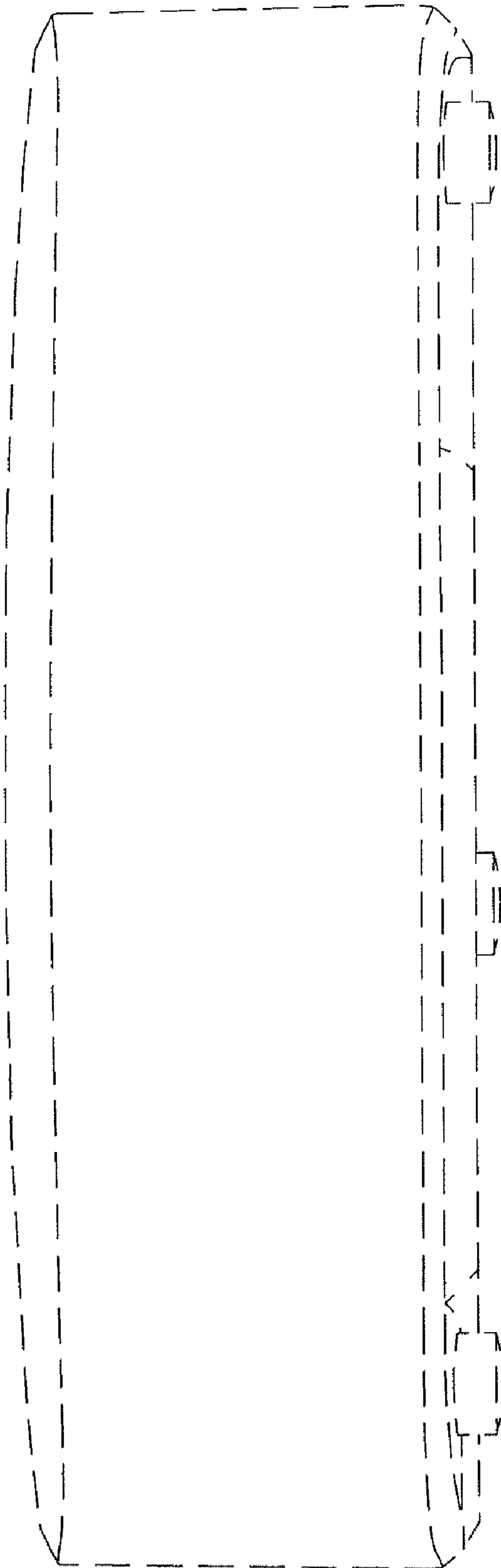


FIG. 3

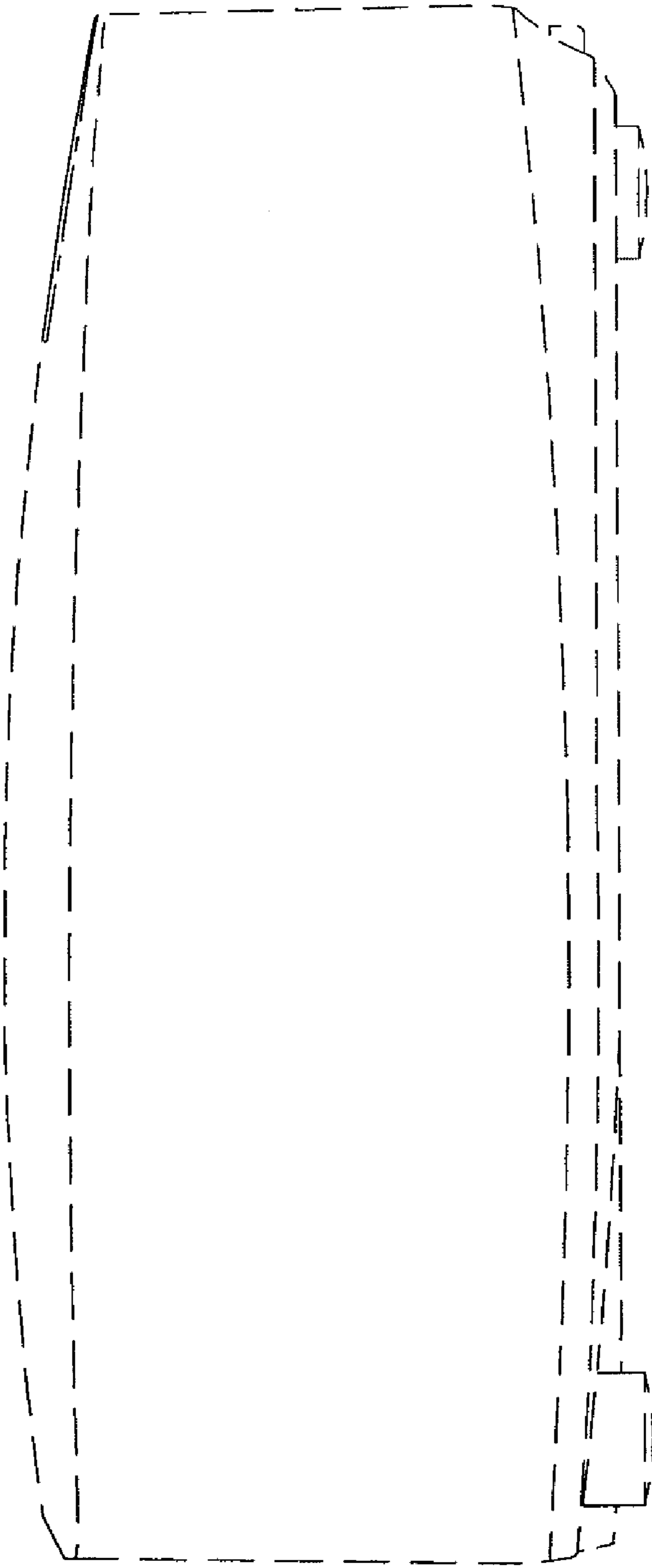


FIG. 4

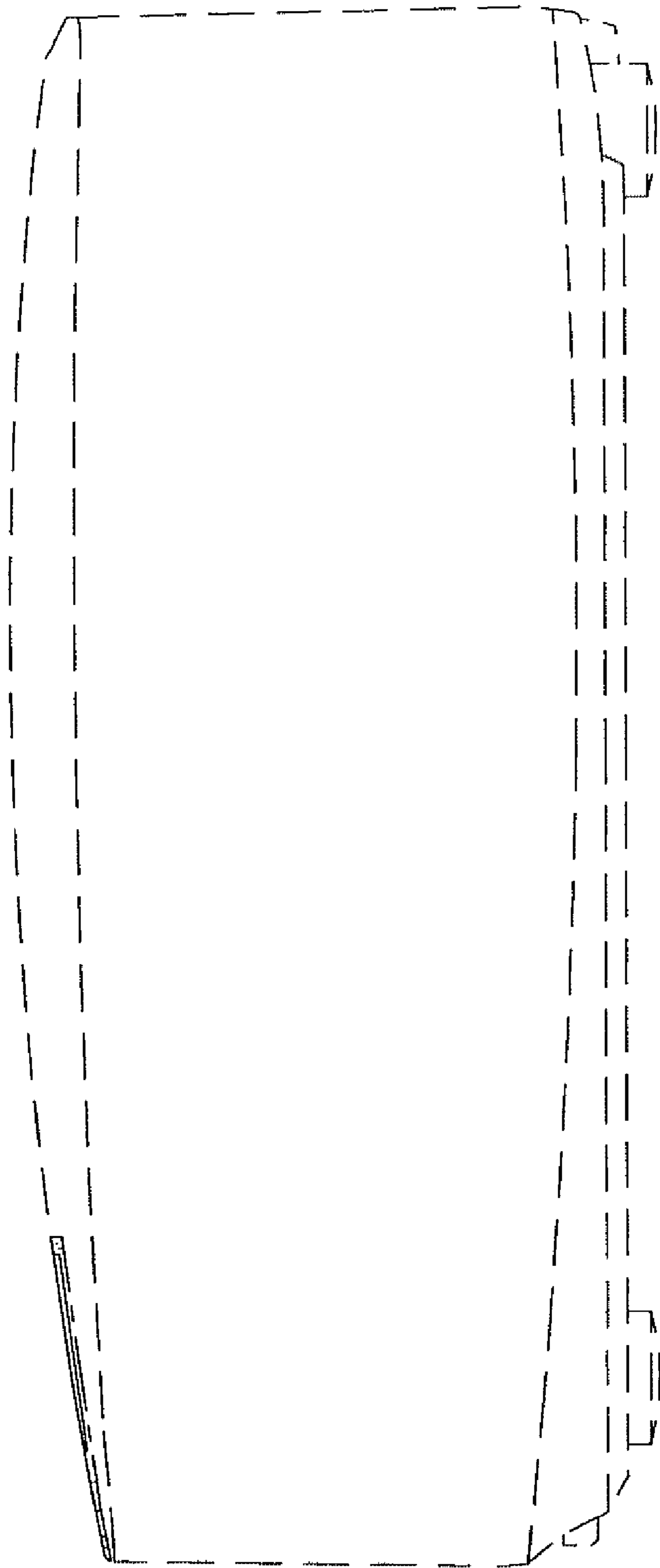


FIG. 5

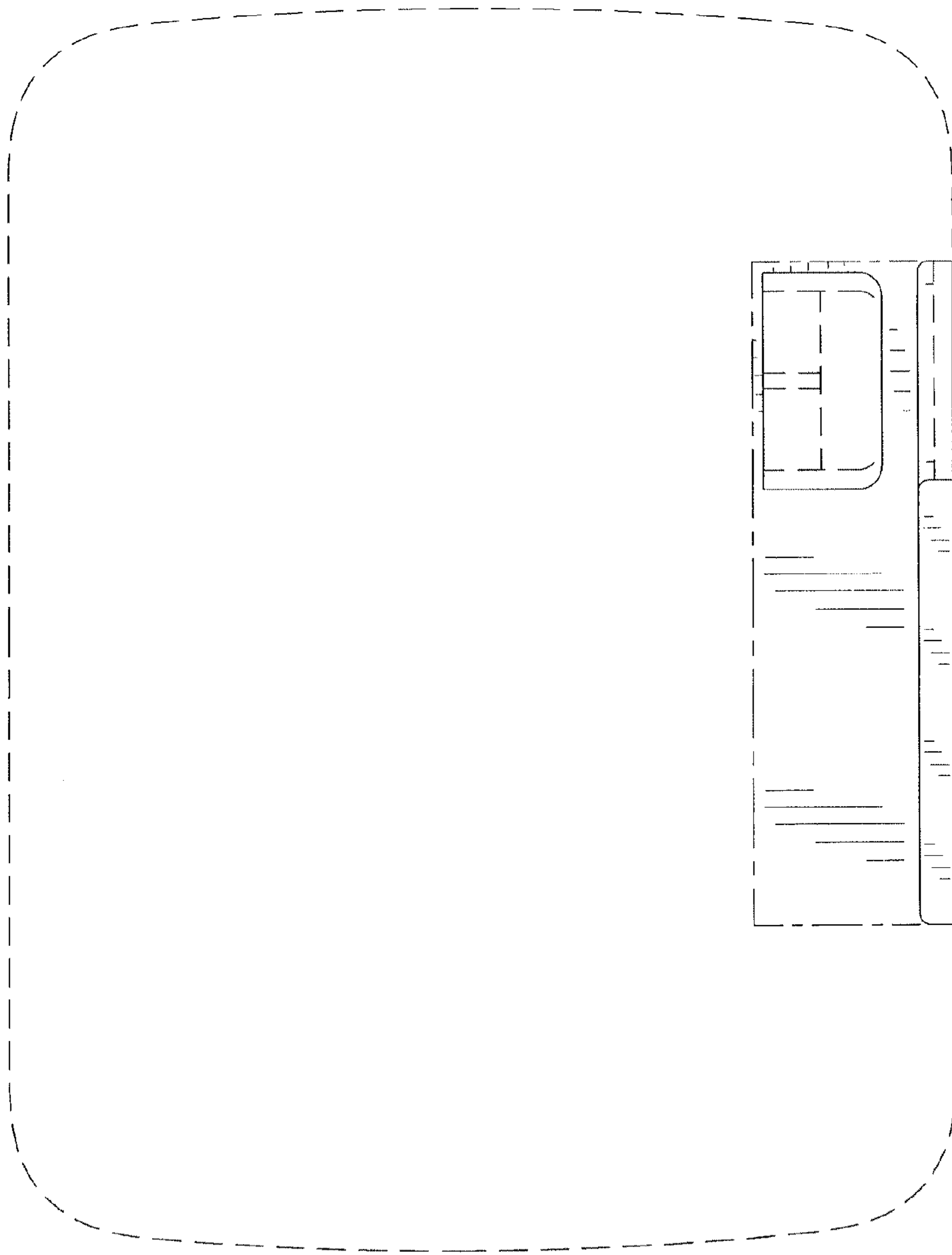


FIG. 6

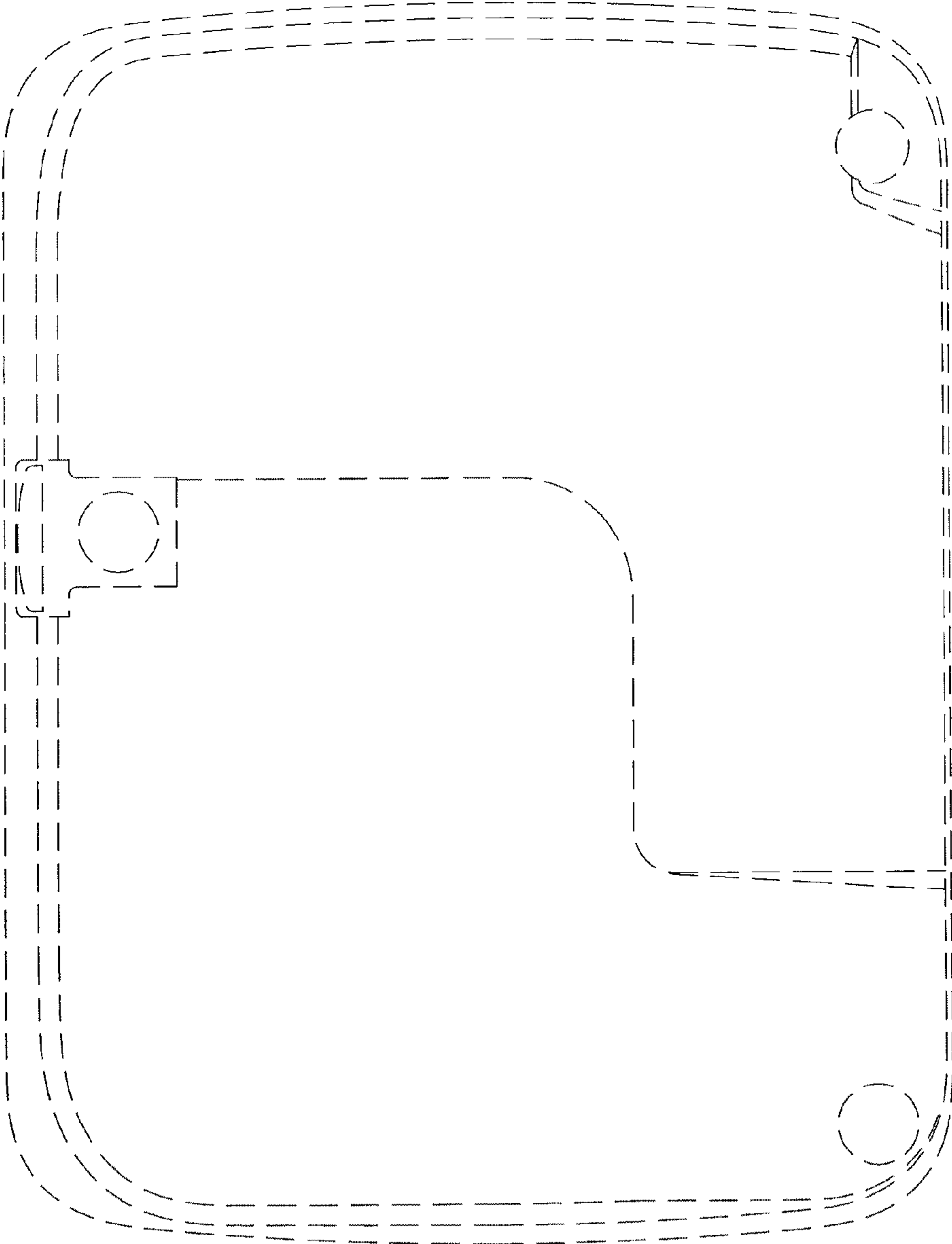


FIG. 7

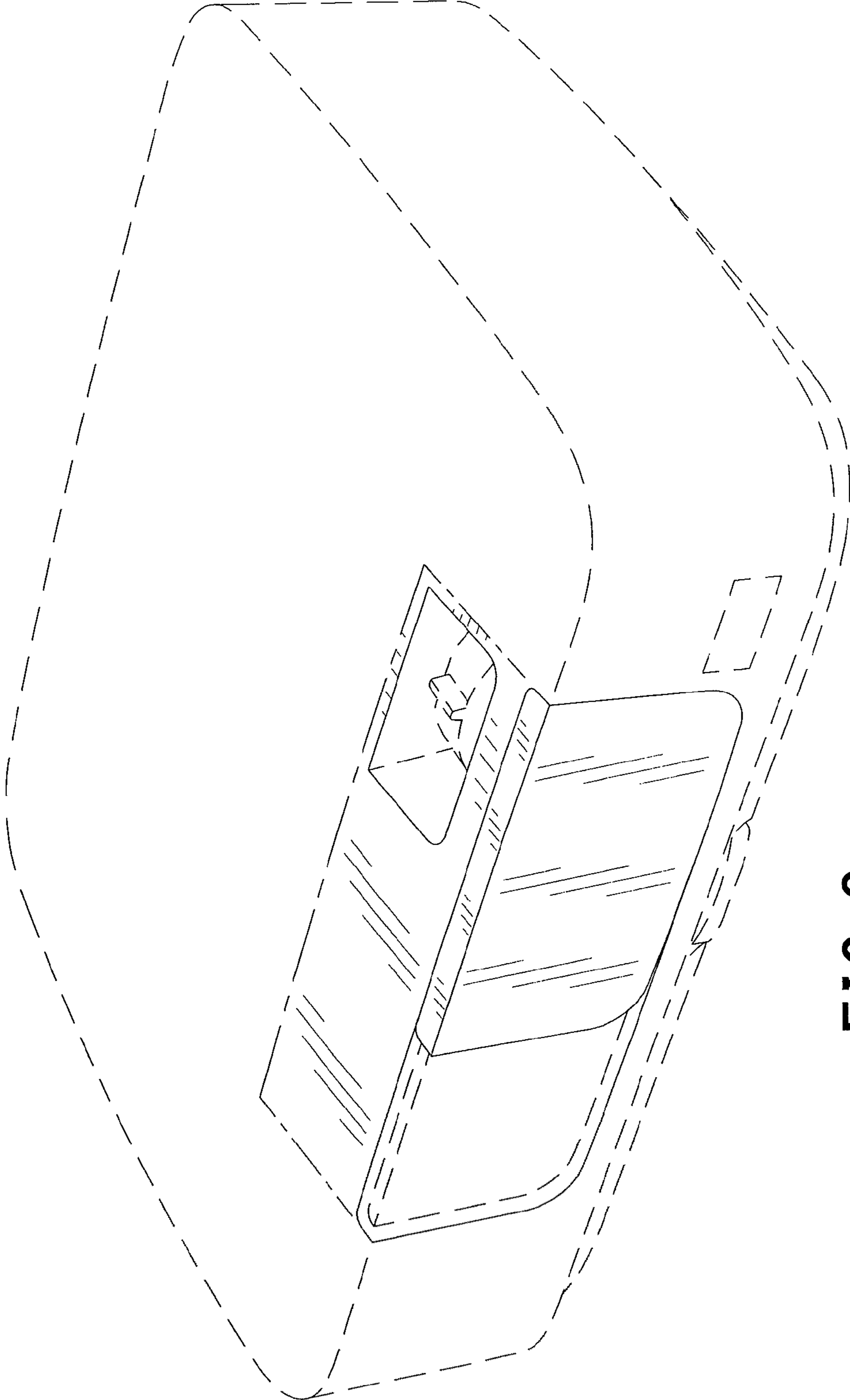


FIG. 8