



US00D647554S

(12) **United States Design Patent**
Yim

(10) **Patent No.:** **US D647,554 S**

(45) **Date of Patent:** **** Oct. 25, 2011**

(54) **WATERPROOF CAMERA CASE**

(75) **Inventor:** **Wai Lam William Yim, Hong Kong (HK)**

(73) **Assignee:** **Sanwa Technologies Limited, NT (HK)**

(**) **Term:** **14 Years**

(21) **Appl. No.:** **29/360,475**

(22) **Filed:** **Apr. 26, 2010**

Related U.S. Application Data

(63) Continuation-in-part of application No. 29/342,046, filed on Aug. 18, 2009, now Pat. No. Des. 621,432.

(51) **LOC (9) Cl.** **16-01**

(52) **U.S. Cl.** **D16/204**

(58) **Field of Classification Search** D3/267;
D16/200-204, 208, 218; 206/316.1, 316.2;
396/25-29, 535; 348/81, 373
See application file for complete search history.

(56) **References Cited**

U.S. PATENT DOCUMENTS

D265,829 S * 8/1982 Shimoda D16/204
D367,283 S * 2/1996 Lyon et al. D16/208

D419,296 S * 1/2000 Shinano D16/204
D453,177 S * 1/2002 Uehara D16/204
D537,858 S * 3/2007 Griffin et al. D16/204
7,194,202 B2 * 3/2007 Funahashi et al. 396/27
7,653,292 B2 * 1/2010 Yamaguchi et al. 348/81
7,801,425 B2 * 9/2010 Fantone et al. 396/27
2007/0071423 A1 * 3/2007 Fantone et al. 396/27
2009/0317069 A1 * 12/2009 Yim 396/27

* cited by examiner

Primary Examiner — Adir Aronovich

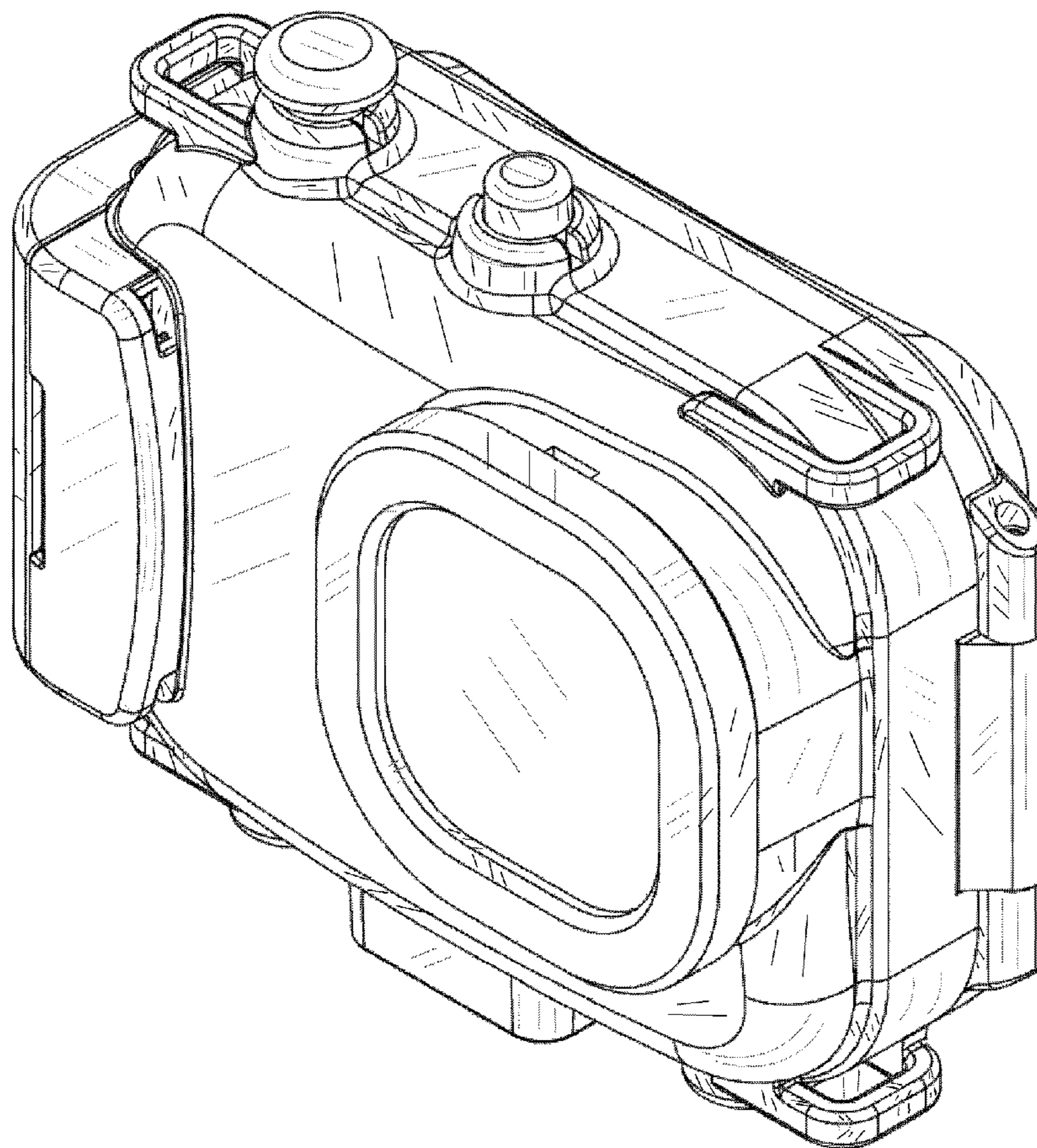
(57) **CLAIM**

The ornamental design for a waterproof camera case, as shown.

DESCRIPTION

FIG. 1 is a front elevational view of a waterproof camera case showing my new design;
FIG. 2 is a rear elevational view thereof;
FIG. 3 is a top plan view thereof;
FIG. 4 is a bottom plan view thereof;
FIG. 5 is a left side elevational view thereof;
FIG. 6 is a right side elevational view thereof; and,
FIG. 7 is a top, front and right perspective view thereof.

1 Claim, 7 Drawing Sheets



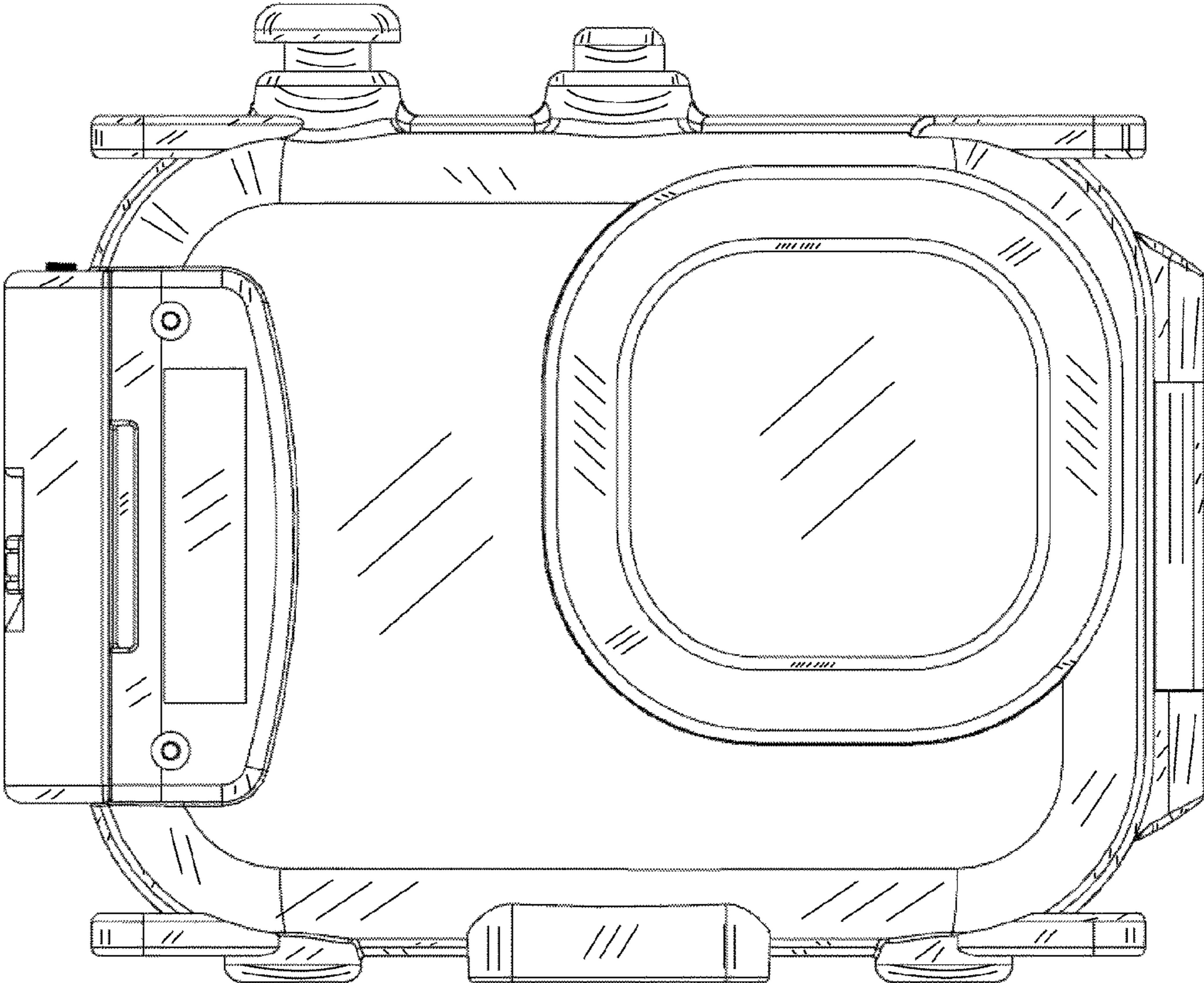


FIG. 1

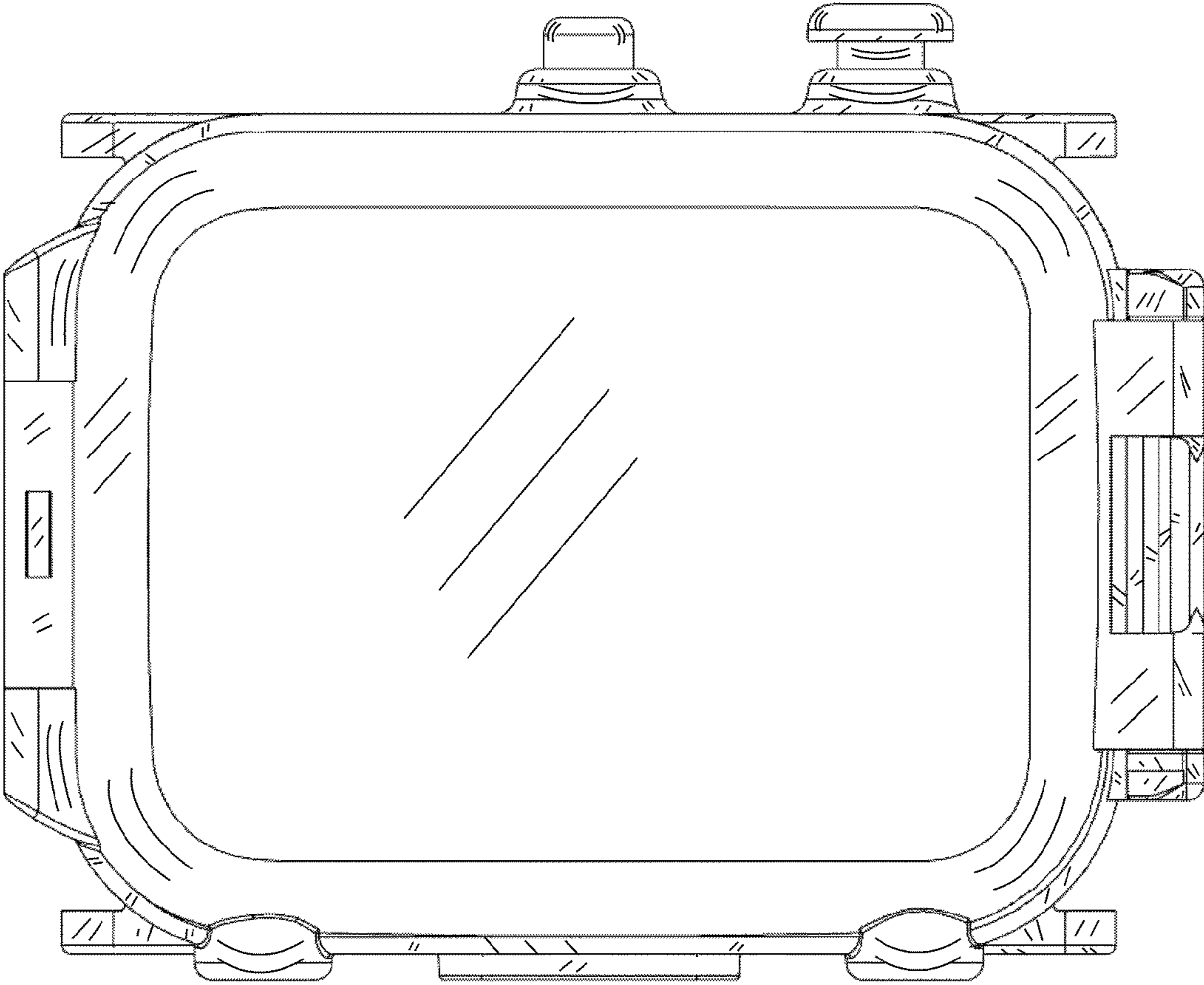


FIG. 2

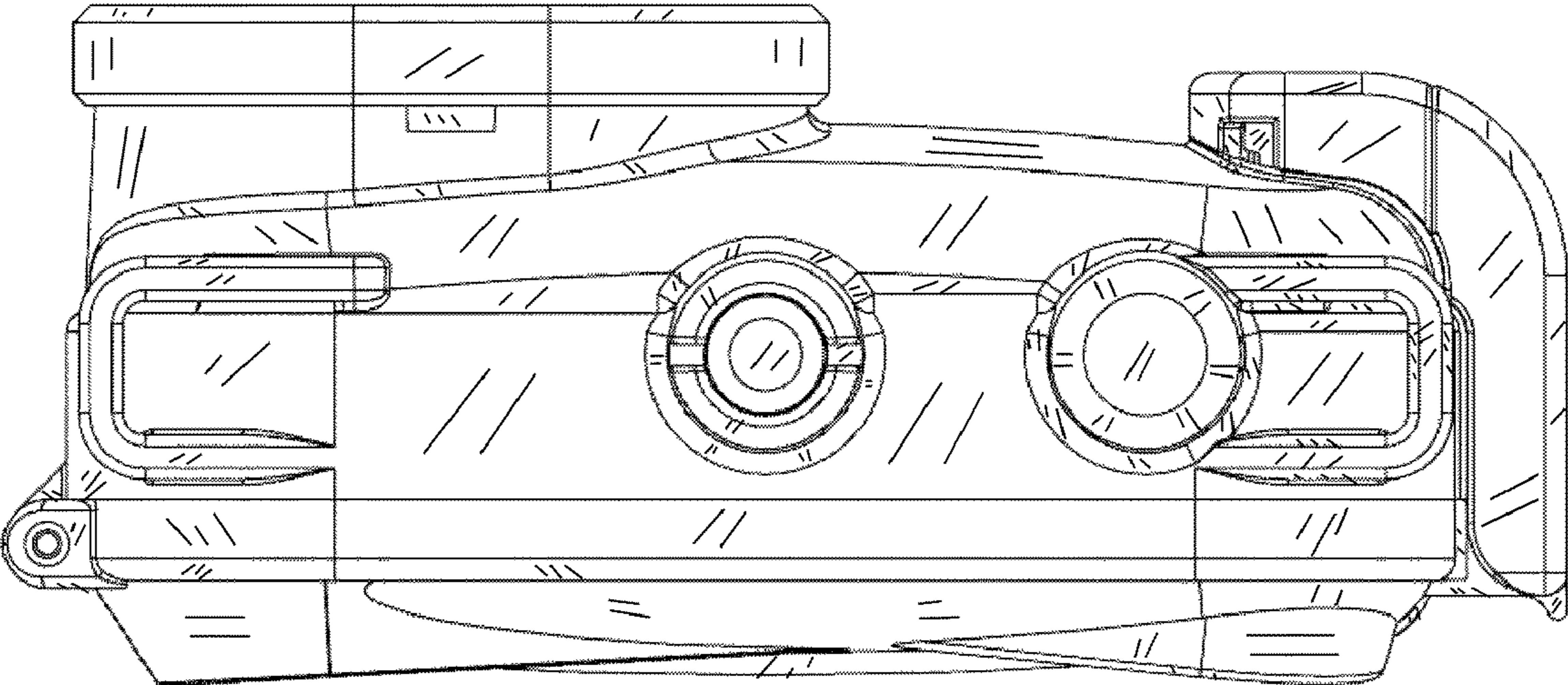


FIG. 3

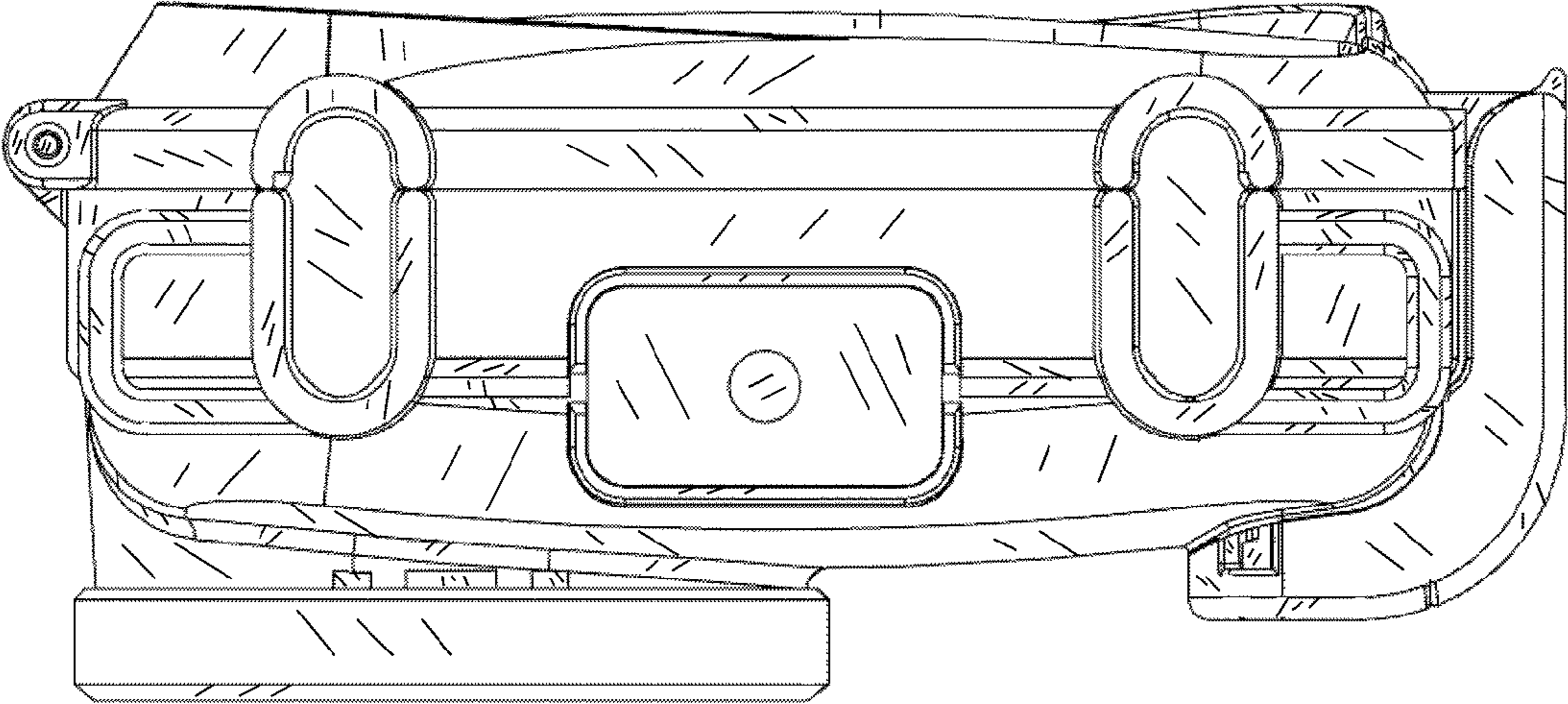


FIG. 4

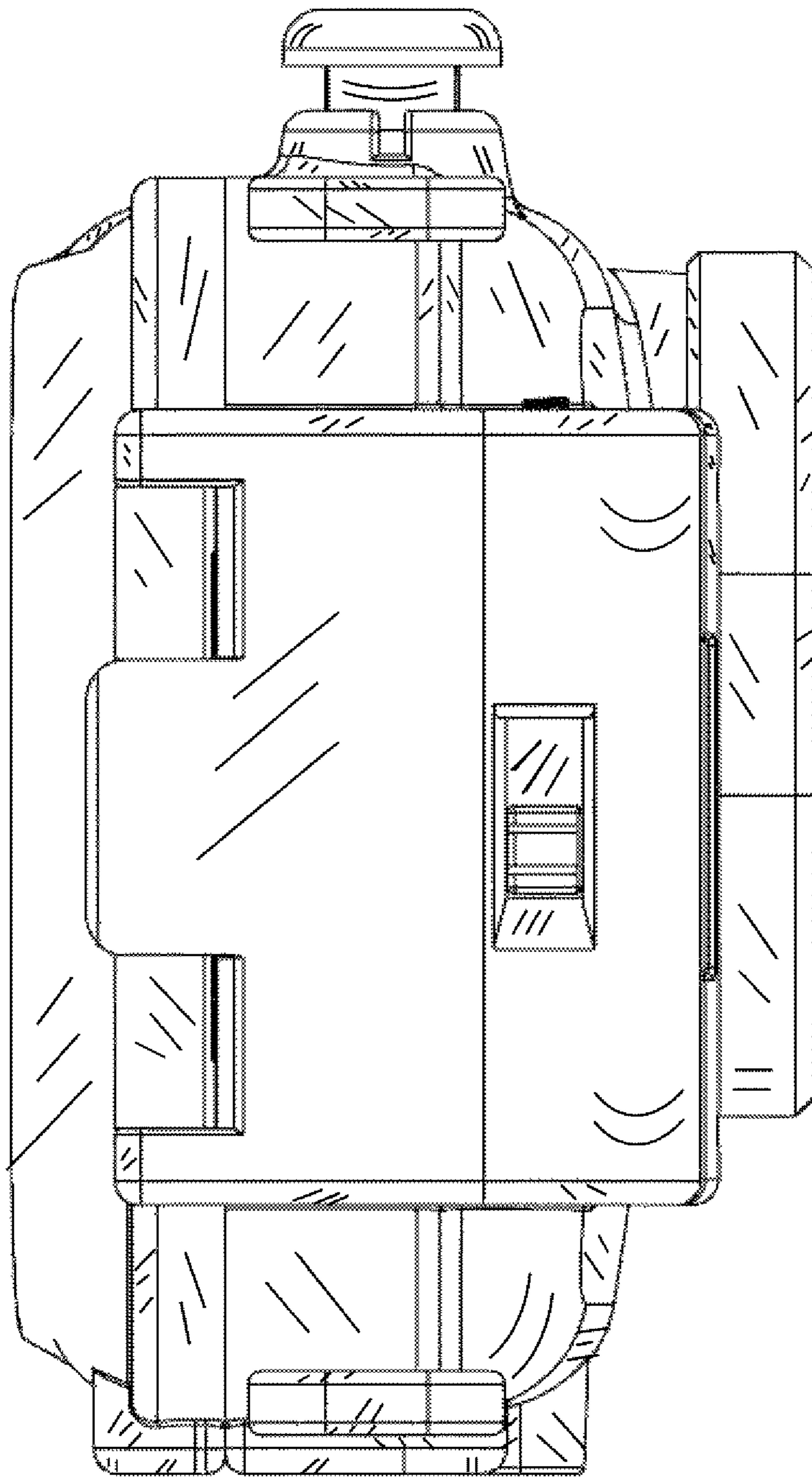


FIG. 5

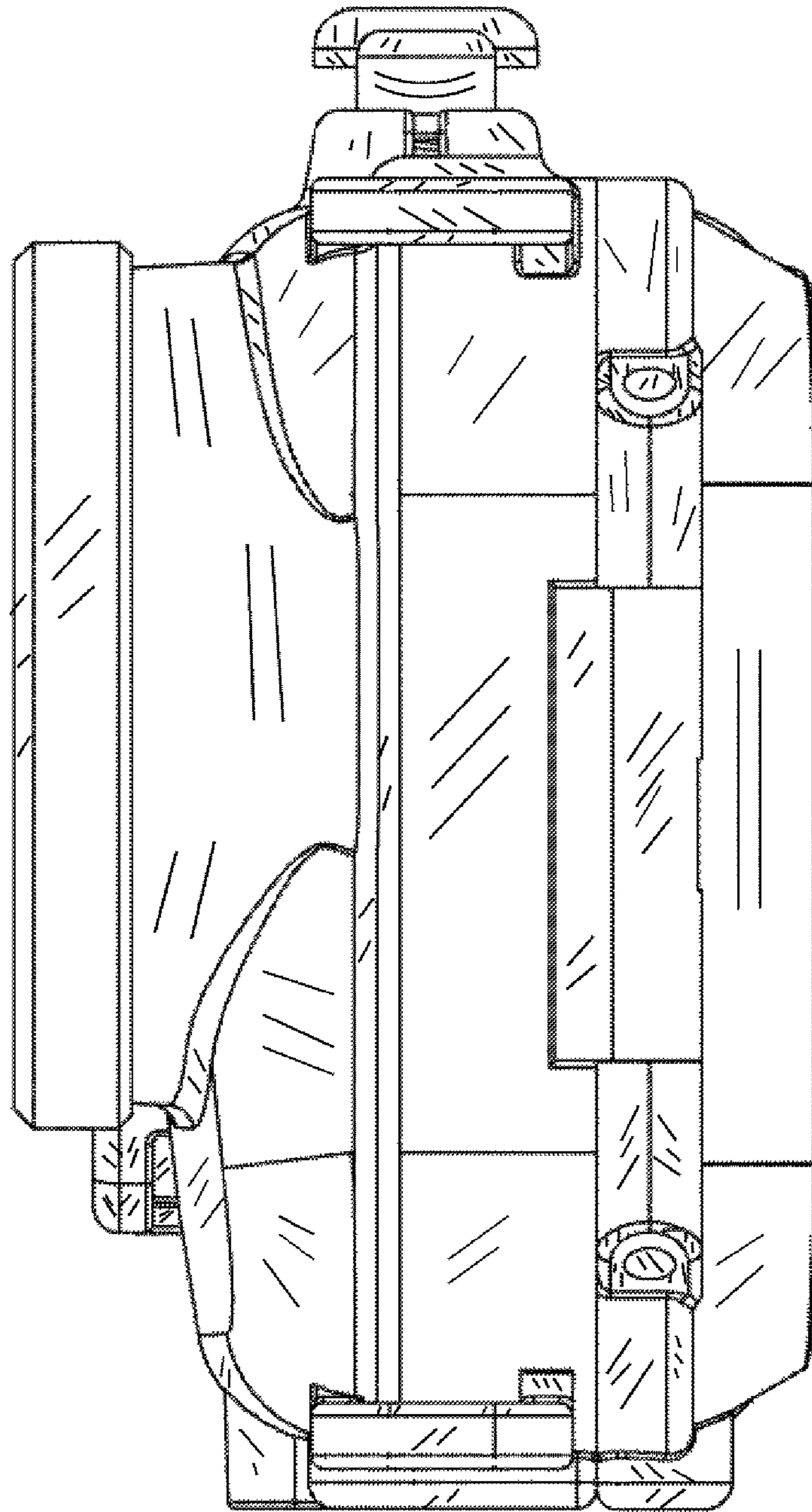


FIG. 6

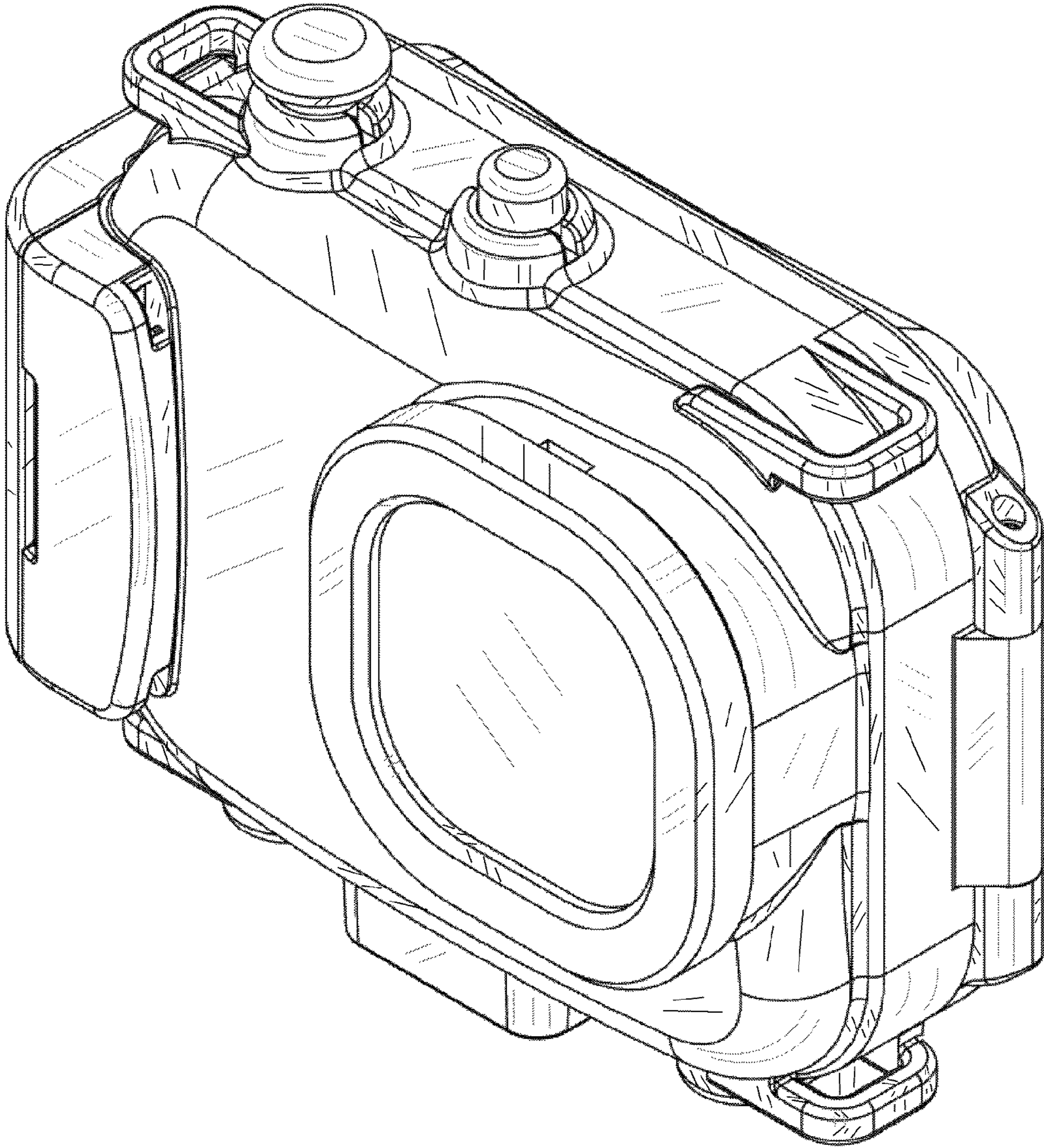


FIG. 7