



US00D647553S

(12) **United States Design Patent**  
**Park**

(10) **Patent No.:** **US D647,553 S**

(45) **Date of Patent:** **\*\* Oct. 25, 2011**

(54) **CAMERA FOR CLOSED CIRCUIT TELEVISION**

(75) Inventor: **Young Hoon Park**, Ansan-Si (KR)

(73) Assignee: **CNB Technology Inc.** (KR)

(\*\*) Term: **14 Years**

(21) Appl. No.: **29/351,758**

(22) Filed: **Dec. 10, 2009**

(51) **LOC (9) Cl.** ..... **16-01**

(52) **U.S. Cl.** ..... **D16/203**

(58) **Field of Classification Search** ..... D10/106;  
D16/200, 202, 203, 204, 208, 218, 219; 348/143,  
348/373-376; 396/427, 535-541  
See application file for complete search history.

(56) **References Cited**

**U.S. PATENT DOCUMENTS**

D412,924 S *	8/1999	Hiraguchi	.....	D16/219
D452,696 S *	1/2002	Fenton	.....	D16/203
6,678,001 B1 *	1/2004	Elberbaum	.....	348/373
D494,992 S *	8/2004	Seo	.....	D16/203
D497,927 S *	11/2004	Arbuckle et al.	.....	D16/203
D507,804 S *	7/2005	Nagai	.....	D16/203

D556,236 S *	11/2007	Kim	.....	D16/203
D560,244 S *	1/2008	Naruki	.....	D16/203
D564,557 S *	3/2008	Yamamoto et al.	.....	D16/203
D584,756 S *	1/2009	Yamakawa	.....	D16/203
7,661,890 B2 *	2/2010	Basho	.....	396/427
D615,114 S *	5/2010	Arnold et al.	.....	D16/203

\* cited by examiner

*Primary Examiner* — Adir Aronovich

(74) *Attorney, Agent, or Firm* — John K. Park; Park Law Firm

(57) **CLAIM**

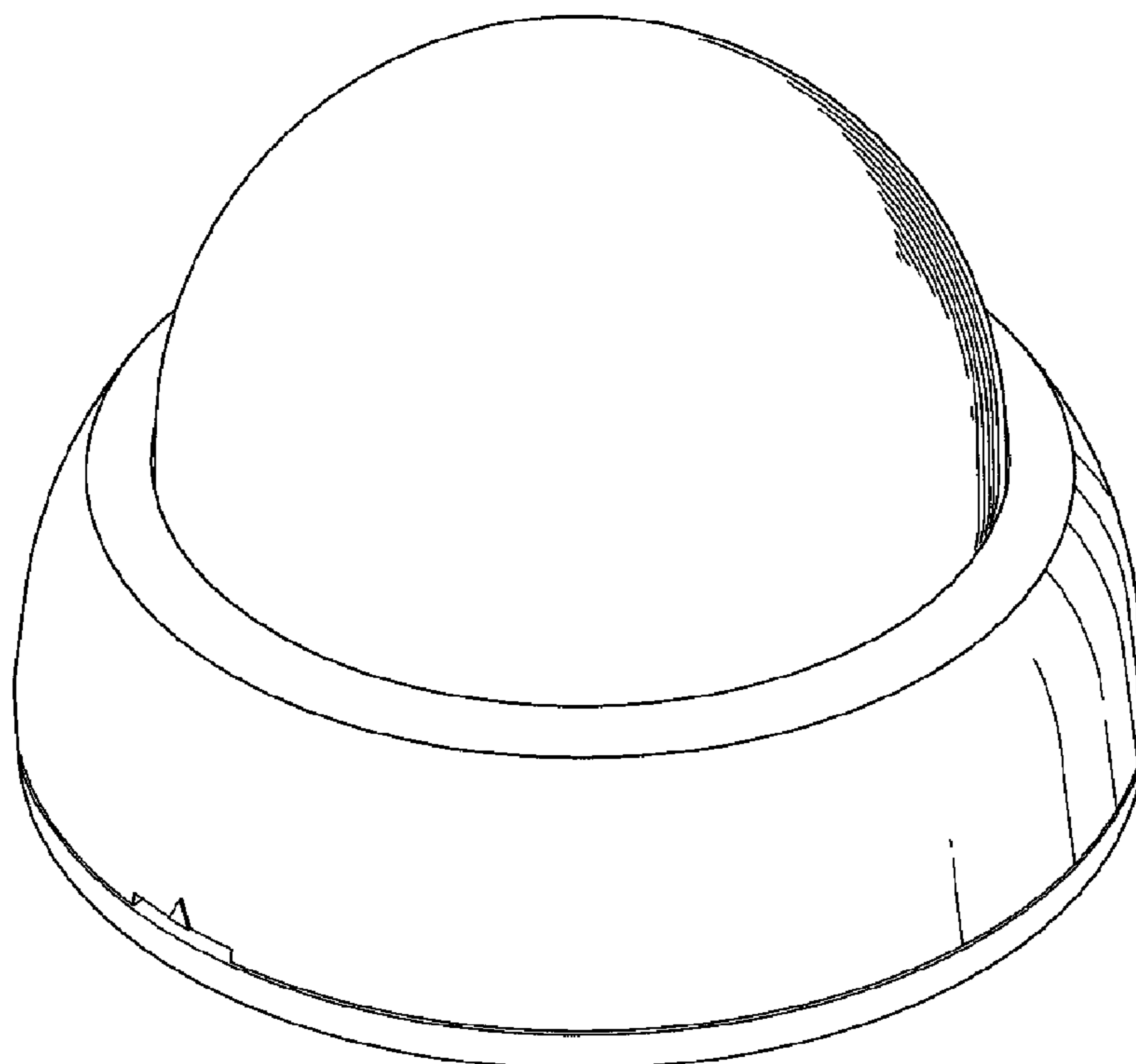
The ornamental design for camera for closed circuit television, as shown and described.

**DESCRIPTION**

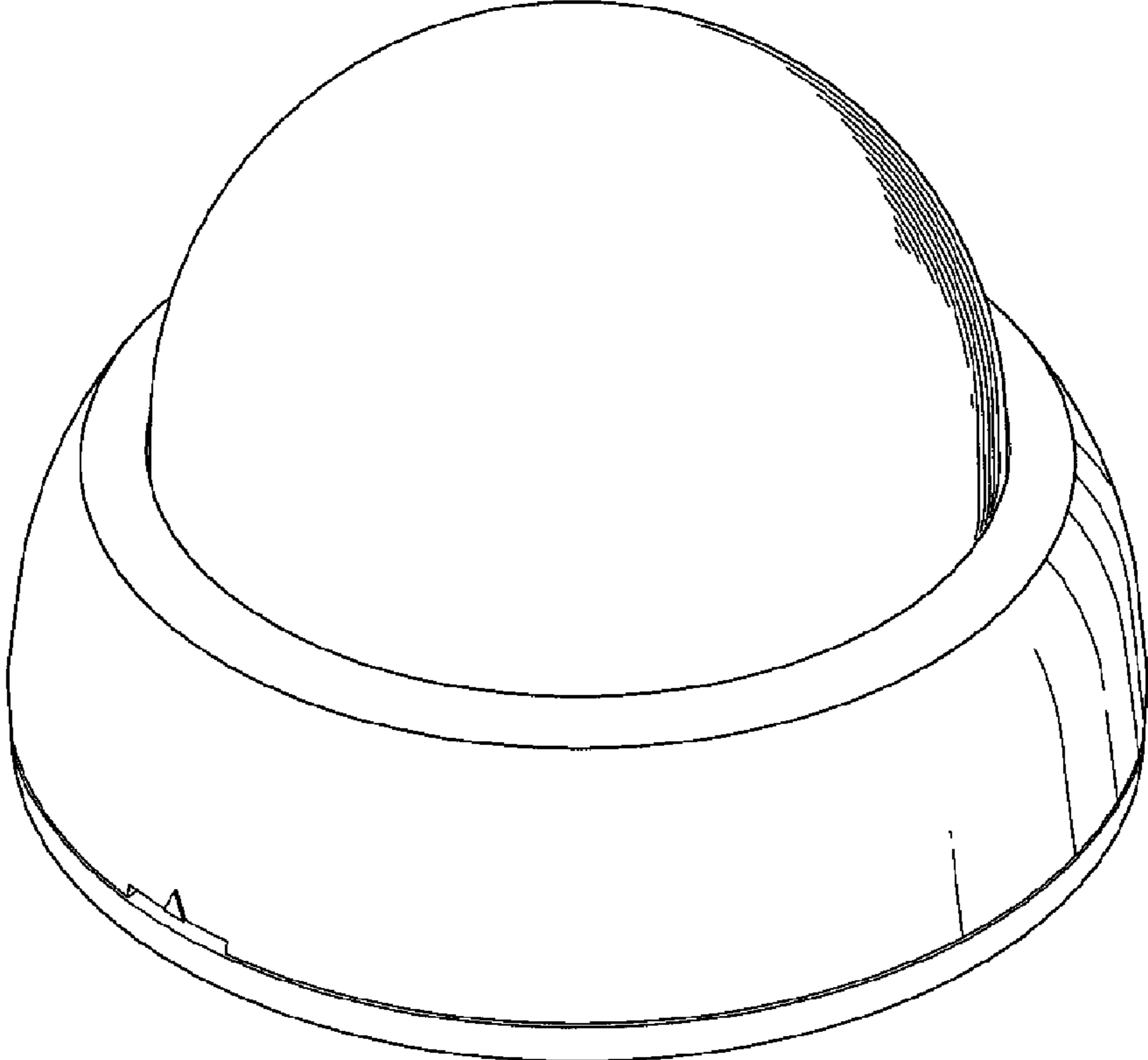
FIG. 1 is a perspective view of camera for closed circuit television showing my new design;  
FIG. 2 is a front elevational view thereof;  
FIG. 3 is a rear elevational view thereof;  
FIG. 4 is a side elevational view thereof;  
FIG. 5 is a top plan view thereof; and,  
FIG. 6 is a bottom plan view thereof.

The broken line showing of environment is for illustrative purposes only and forms no part of the claimed design.

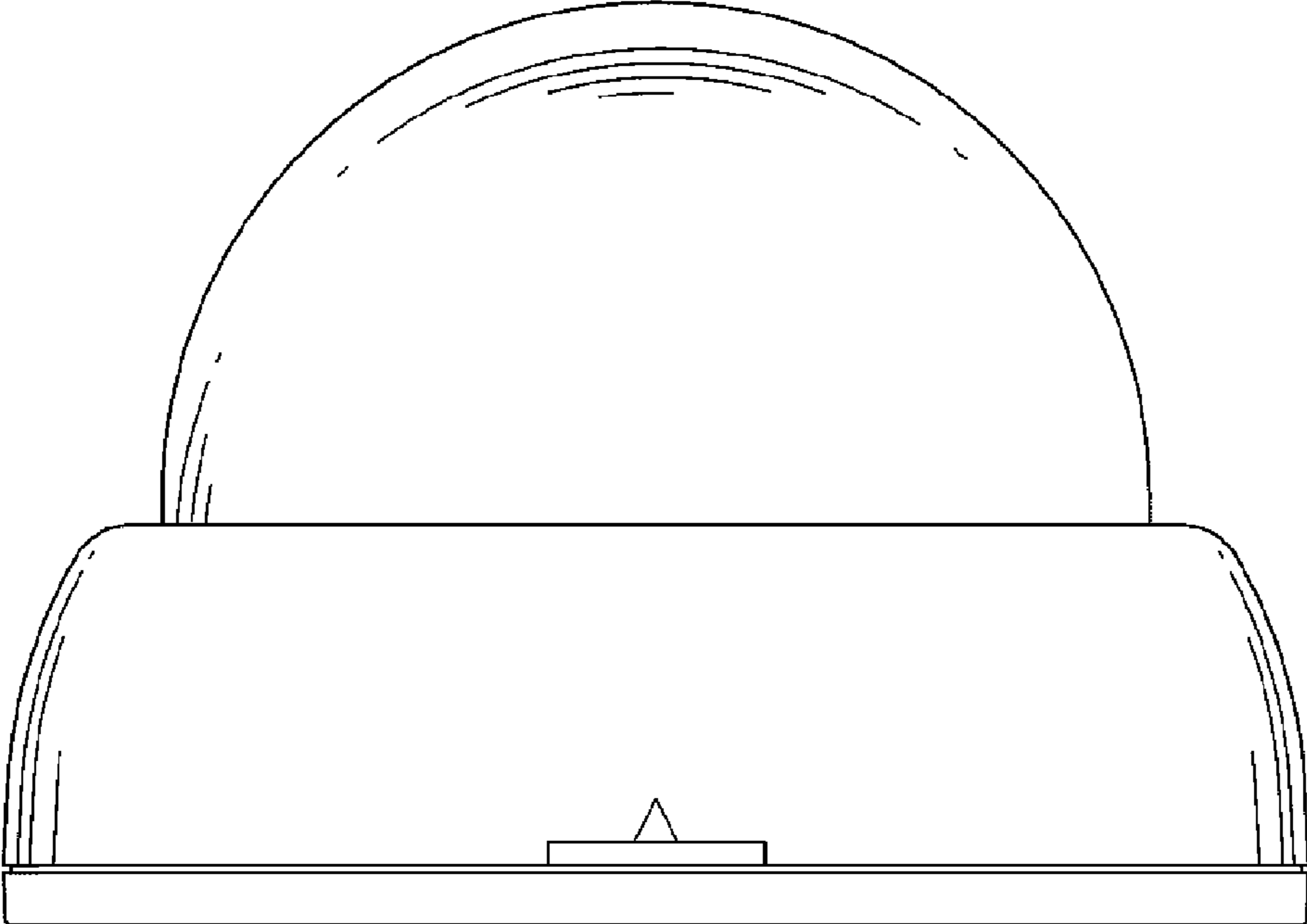
**1 Claim, 6 Drawing Sheets**



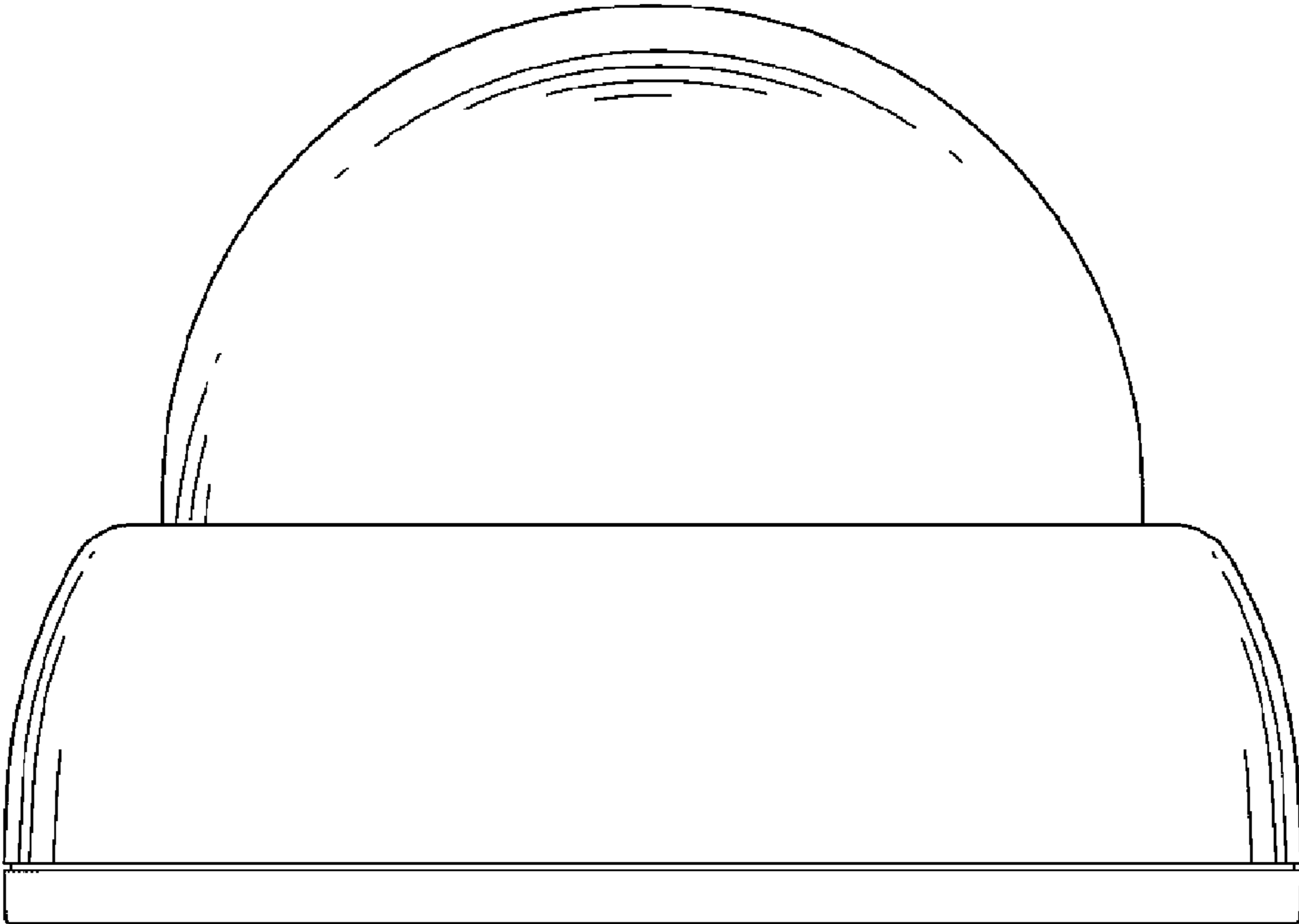
**FIG. 1**



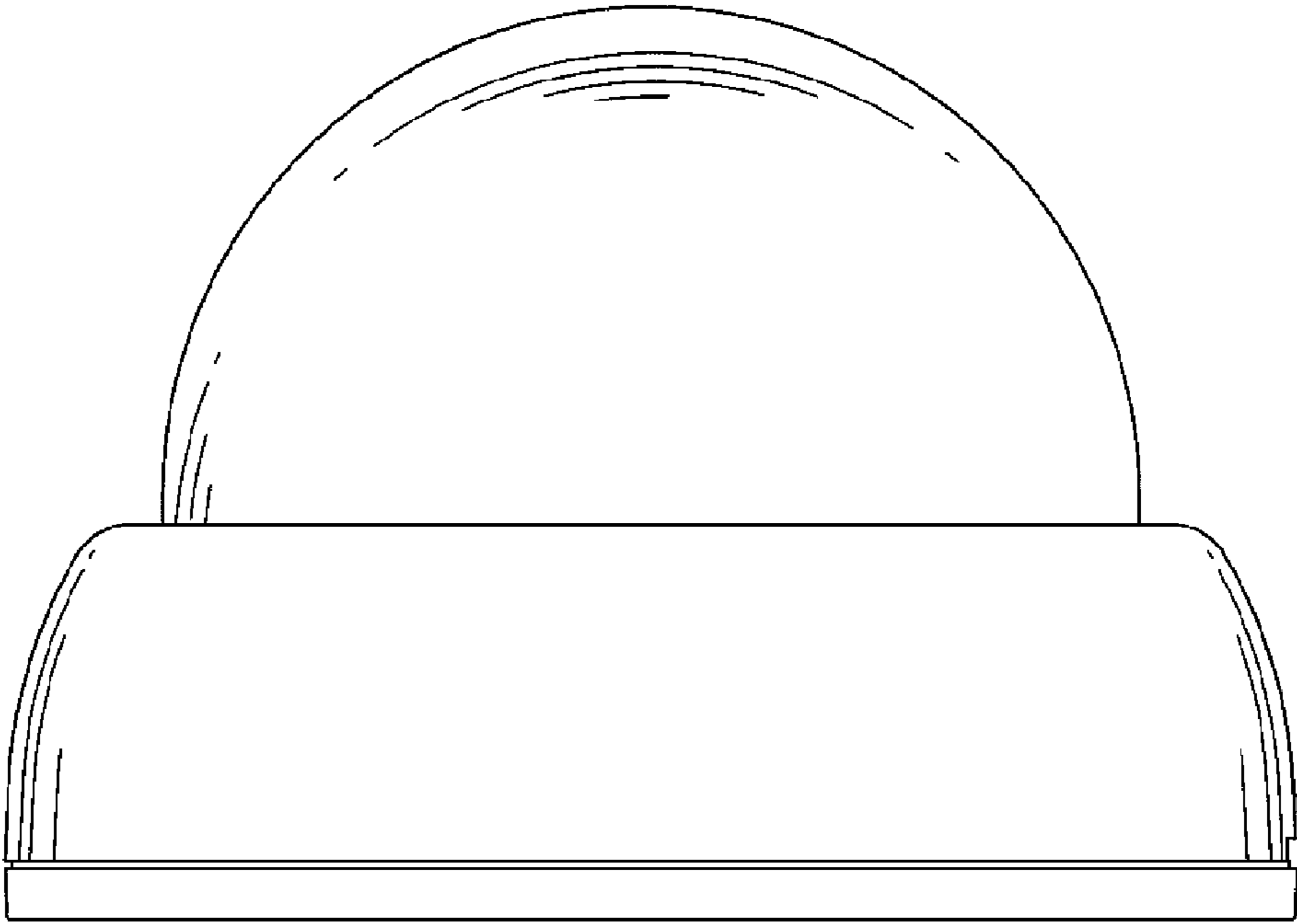
**FIG. 2**



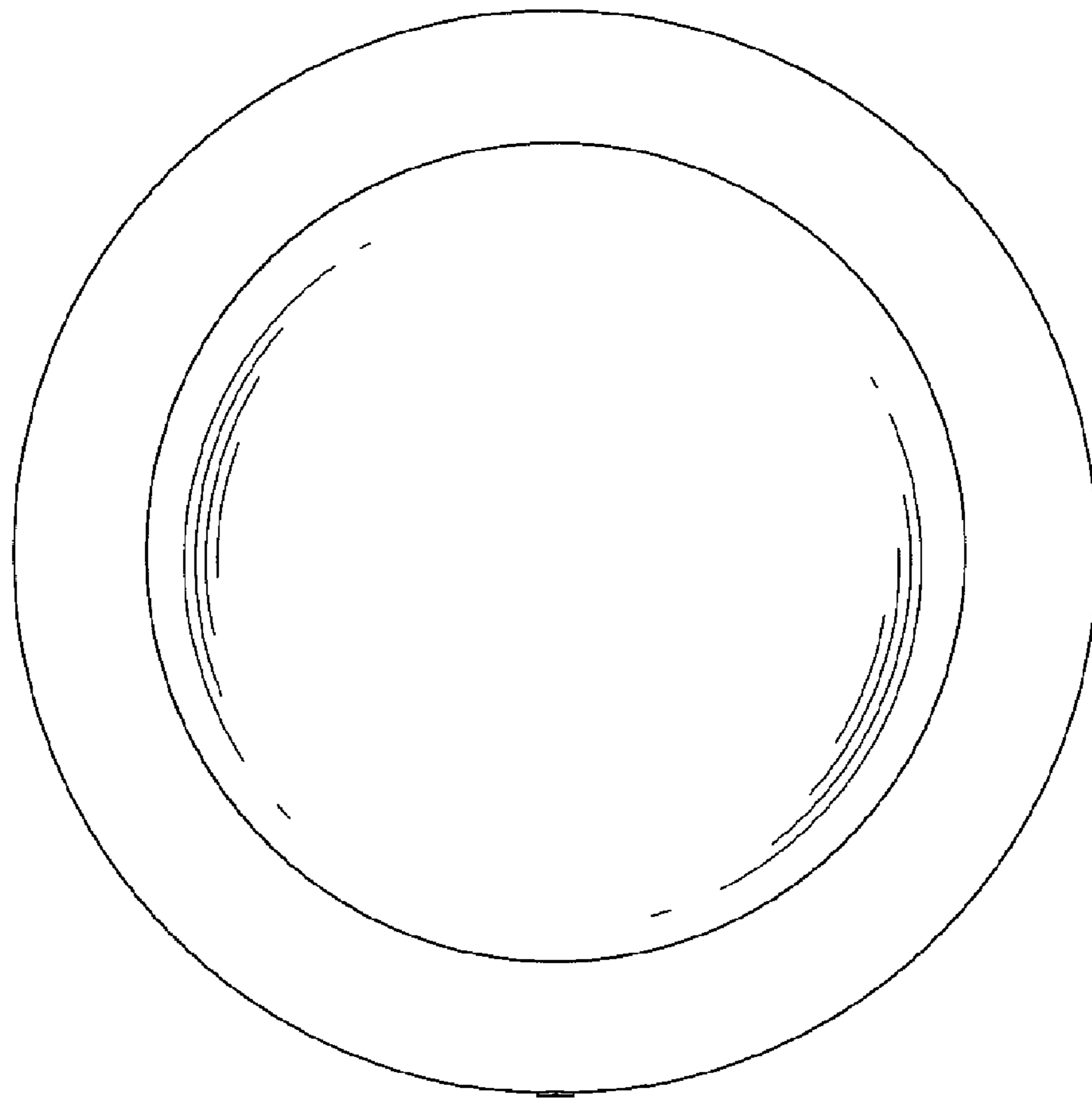
# FIG. 3



**FIG. 4**



# FIG. 5



**FIG. 6**

