



US00D647552S

(12) **United States Design Patent**  
**Ogasawara et al.**

(10) **Patent No.:** **US D647,552 S**

(45) **Date of Patent:** **\*\* Oct. 25, 2011**

(54) **DIGITAL CAMERA**

(75) Inventors: **Michiyo Ogasawara**, Tokyo (JP); **Ken Moro**, Kanagawa (JP)

(73) Assignee: **Nikon Corporation** (JP)

(\*\*) Term: **14 Years**

(21) Appl. No.: **29/373,113**

(22) Filed: **Mar. 1, 2011**

(30) **Foreign Application Priority Data**

Sep. 6, 2010 (JP) ..... 2010-021505

(51) **LOC (9) Cl.** ..... **16-01**

(52) **U.S. Cl.** ..... **D16/202**

(58) **Field of Classification Search** ..... D16/200–204,  
D16/208, 218, 219; 348/373–376; 358/909.1;  
396/6, 535–541

See application file for complete search history.

(56) **References Cited**

**U.S. PATENT DOCUMENTS**

4,406,533 A \* 9/1983 Yamamoto ..... 396/206  
D466,914 S \* 12/2002 Kumakura ..... D16/202  
D491,593 S \* 6/2004 Haga ..... D16/202  
D631,496 S \* 1/2011 Tainaka ..... D16/202

D633,934 S \* 3/2011 Funakoshi ..... D16/202  
D640,301 S \* 6/2011 Nohara ..... D16/218  
D640,720 S \* 6/2011 Yoshii et al. .... D16/202  
D641,032 S \* 7/2011 Yoshii ..... D16/202

\* cited by examiner

*Primary Examiner* — Adir Aronovich

(74) *Attorney, Agent, or Firm* — Schwegman, Lundberg & Woessner, P.A.

(57) **CLAIM**

The ornamental design for a digital camera, as shown and described.

**DESCRIPTION**

FIG. 1 is a front perspective view of a digital camera showing our new design;

FIG. 2 is a rear perspective view thereof;

FIG. 3 is a front elevational view thereof;

FIG. 4 is a rear elevational view thereof;

FIG. 5 is a top plan view thereof;

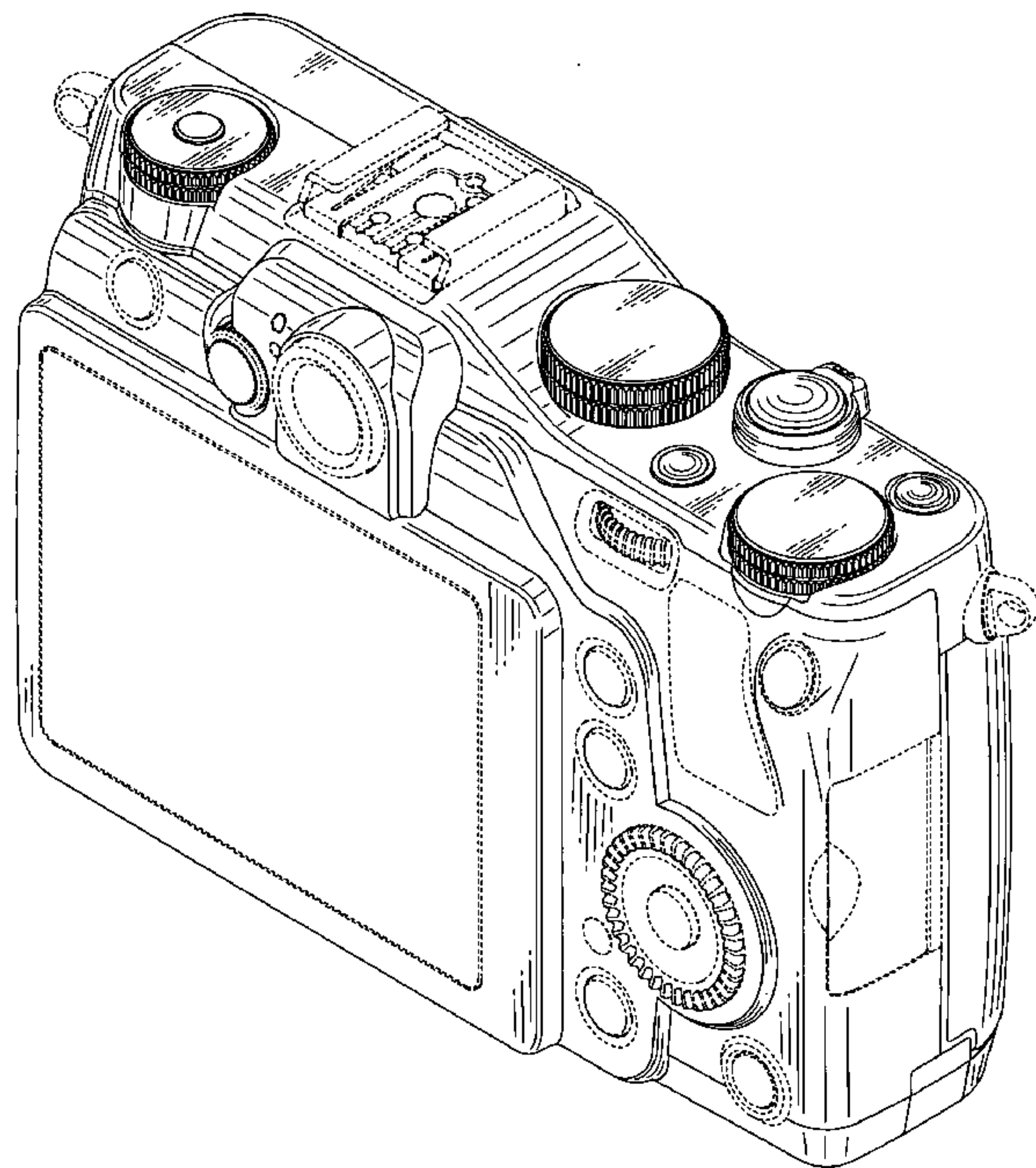
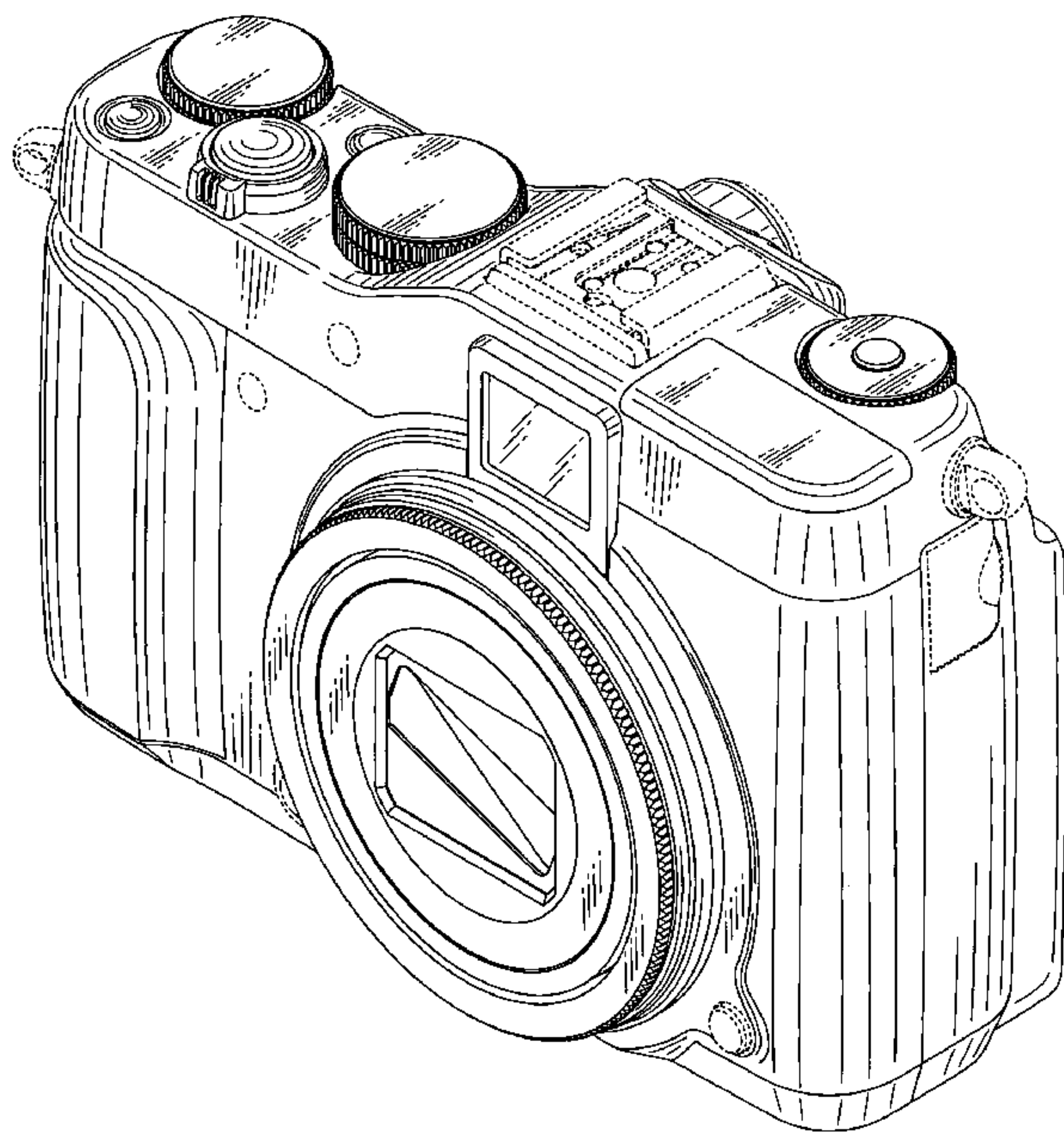
FIG. 6 is a bottom plan view thereof;

FIG. 7 is a right side elevational view thereof; and,

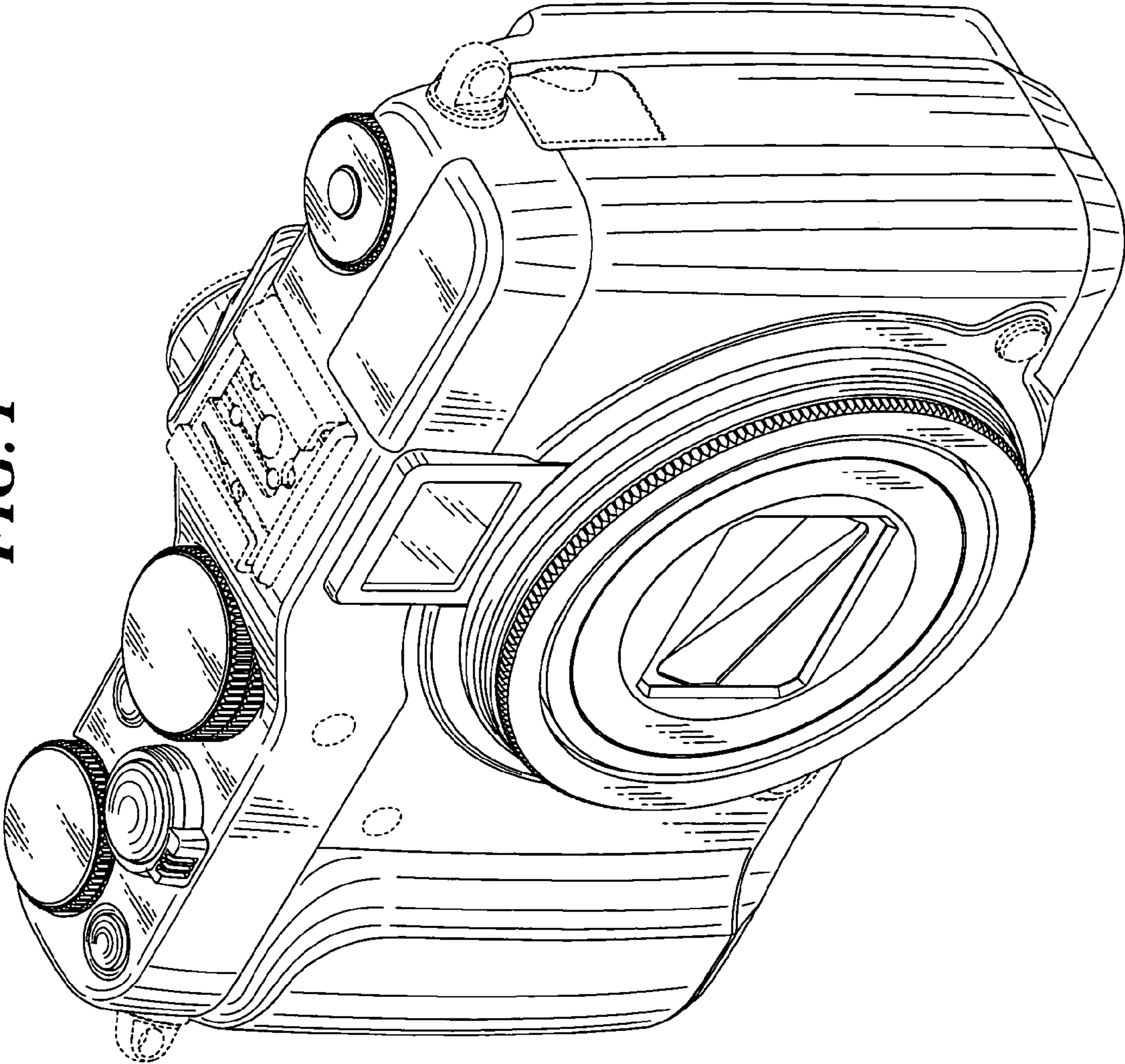
FIG. 8 is a left side elevational view thereof.

The features shown in broken lines in the drawings depict environmental subject matter only and form no part of the claimed design.

**1 Claim, 7 Drawing Sheets**

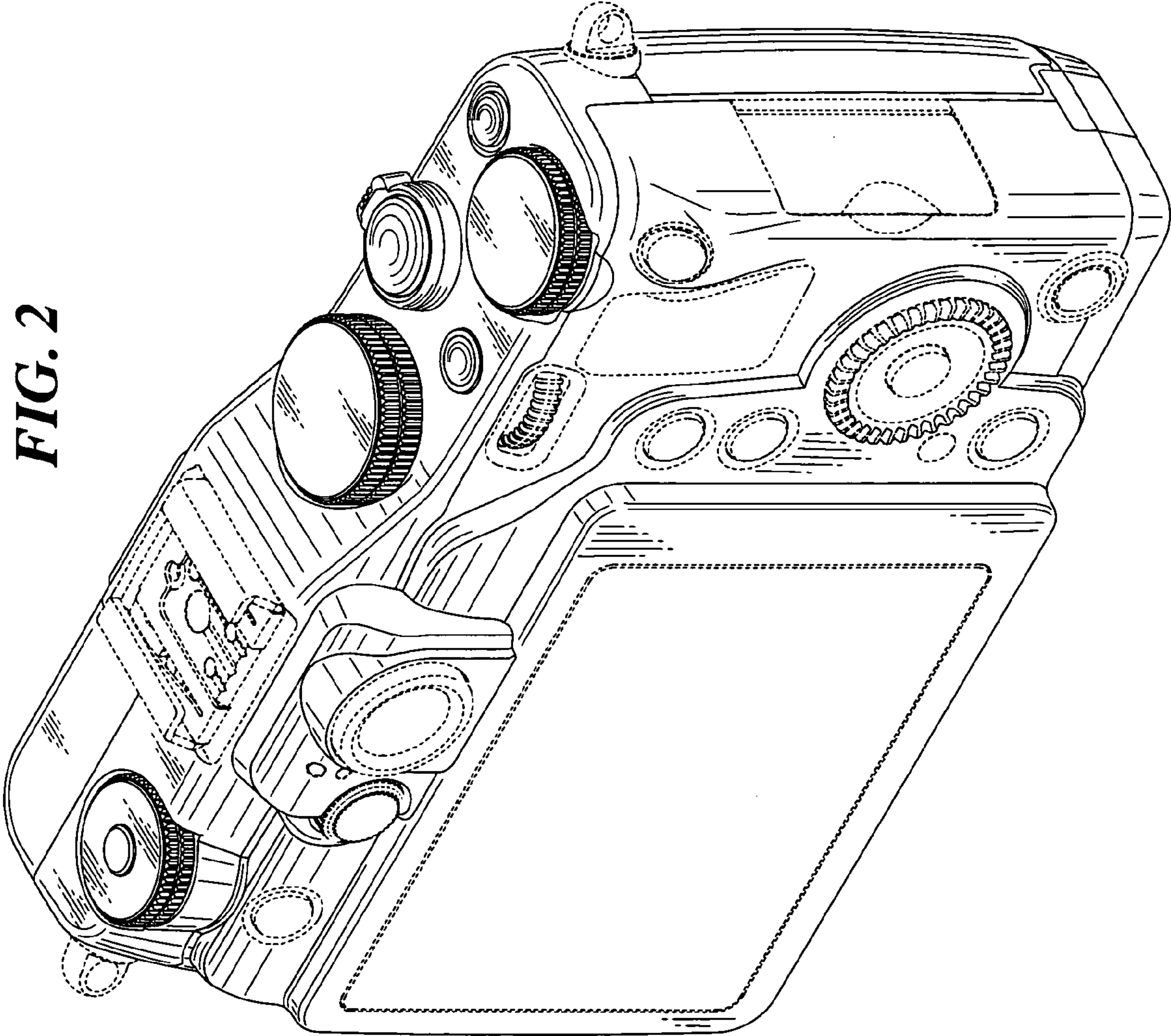


**FIG. 1**

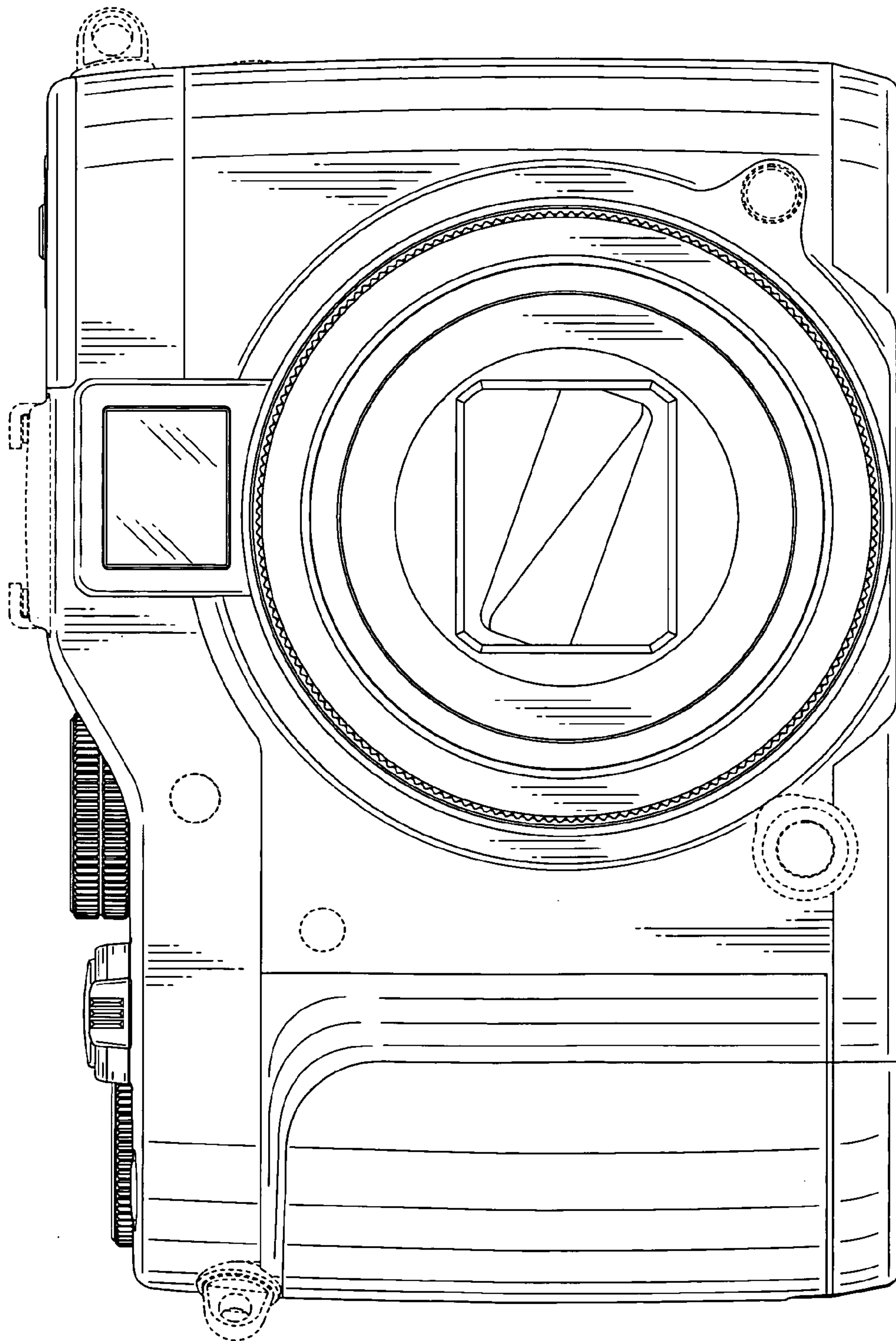




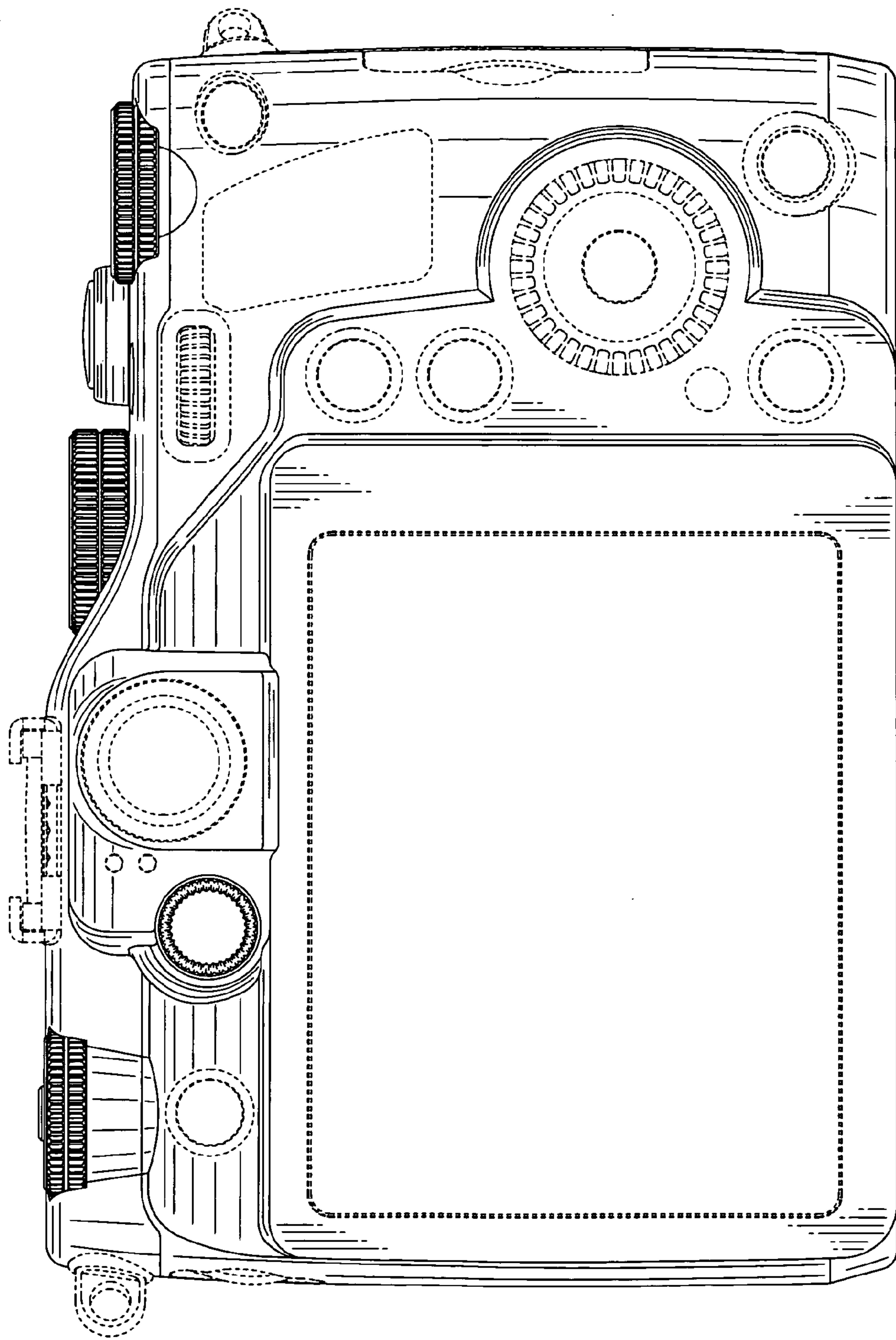
**FIG. 2**



**FIG. 3**

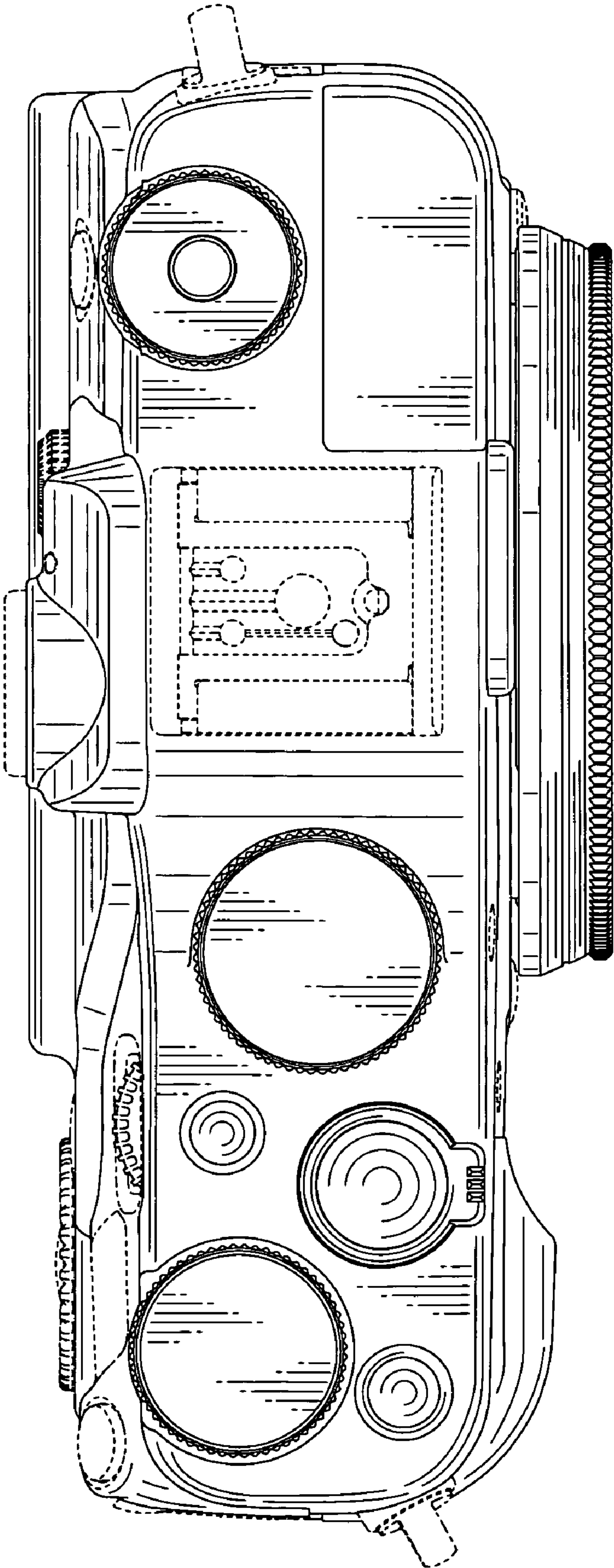


**FIG. 4**

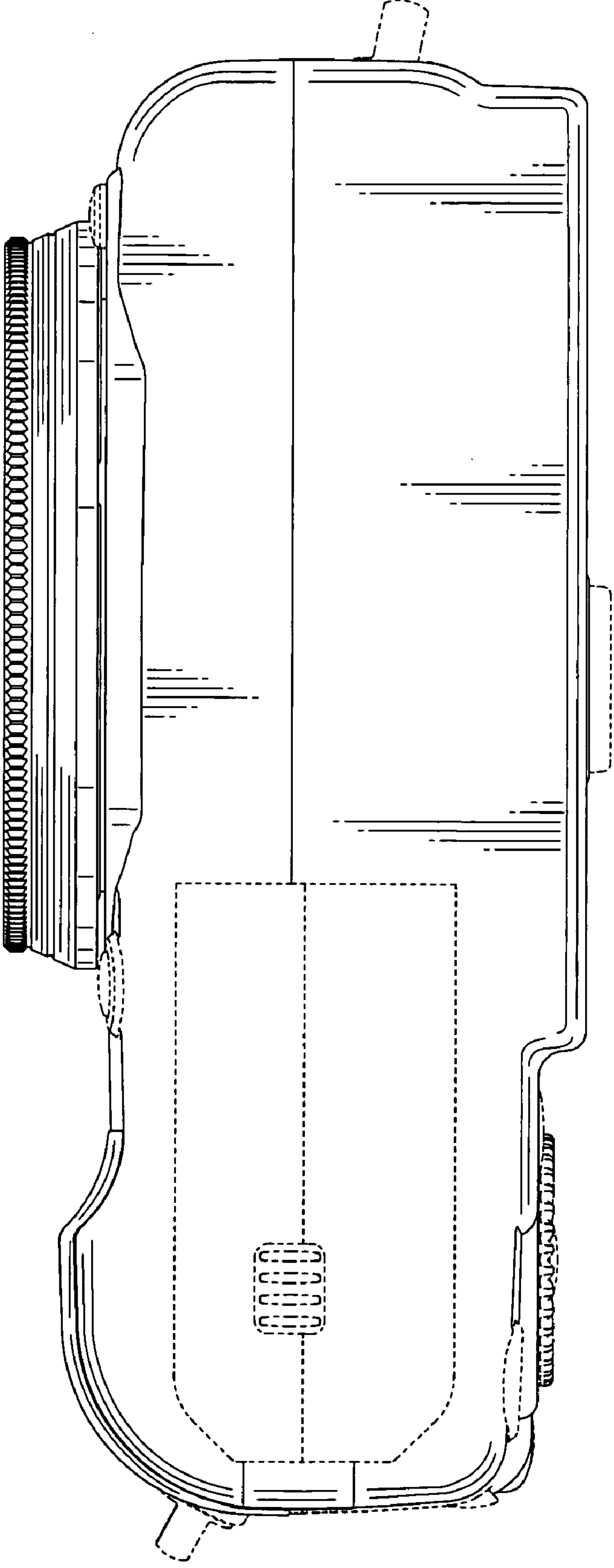




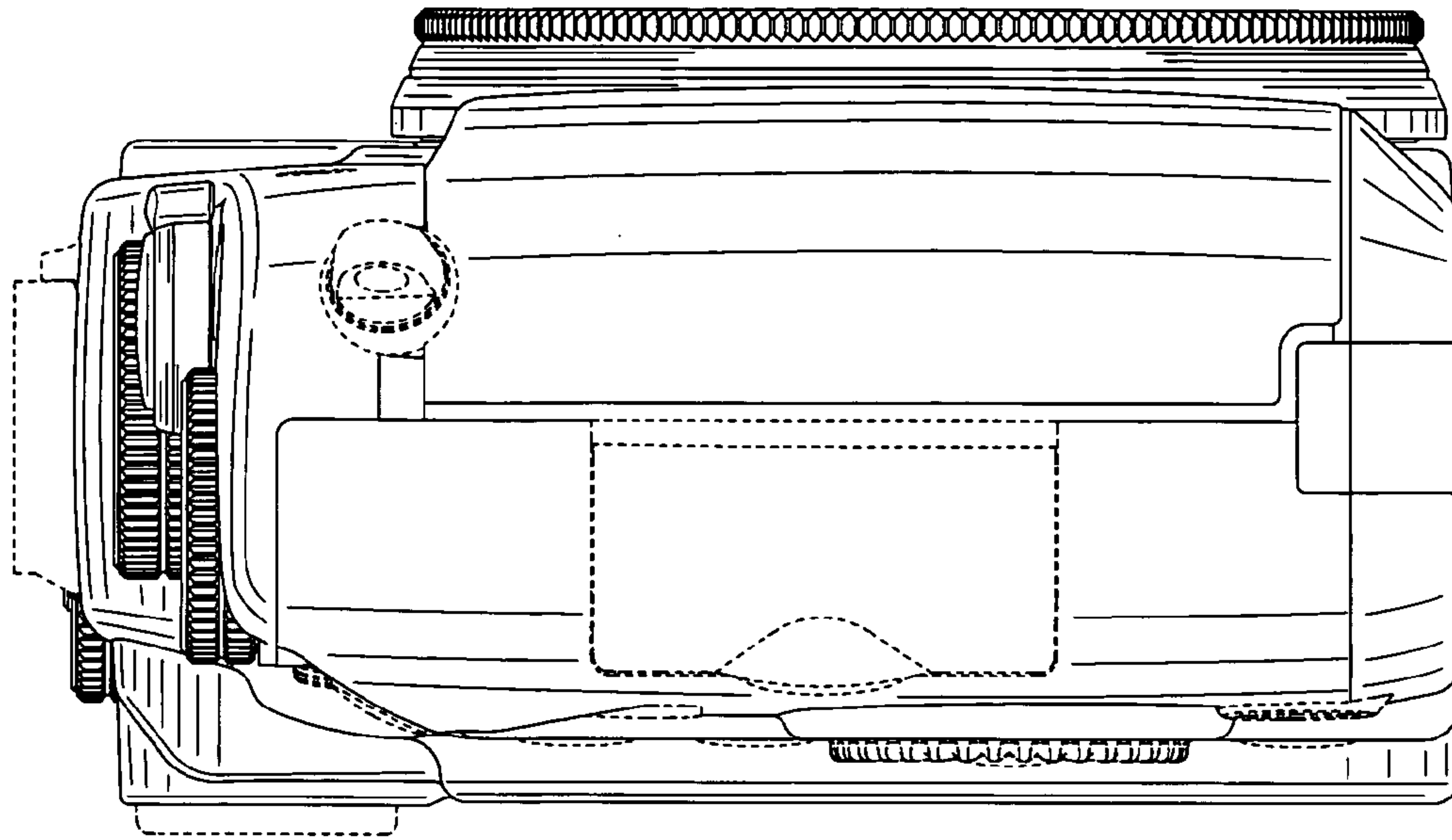
**FIG. 5**



**FIG. 6**



**FIG. 8**



**FIG. 7**

