



US00D647551S

(12) **United States Design Patent**
Lawson (née Babel) et al.

(10) **Patent No.:** **US D647,551 S**
(45) **Date of Patent:** **** Oct. 25, 2011**

- (54) **MICROSCOPE**
- (75) Inventors: **Karen Lawson (née Babel)**, London (GB); **Stuart Banham**, Chalfont St. Peter (GB)
- (73) Assignee: **Vision Engineering Limited**, Surrey (GB)
- (**) Term: **14 Years**
- (21) Appl. No.: **29/366,372**
- (22) Filed: **Jul. 23, 2010**

4,573,771 A *	3/1986	Hill	359/383
D291,702 S *	9/1987	Kahute	D16/131
D395,904 S *	7/1998	Omi	D16/131
D400,548 S *	11/1998	Komatsuzaki	D16/131
D407,423 S *	3/1999	Pogue et al.	D16/131
D429,265 S *	8/2000	Holbl et al.	D16/131
D498,247 S *	11/2004	Suzuki et al.	D16/131
D507,006 S *	7/2005	Apotheloz et al.	D16/131
D511,786 S *	11/2005	Apotheloz et al.	D16/131
D516,595 S *	3/2006	Apotheloz et al.	D16/131
D577,047 S *	9/2008	Apotheloz	D16/131
D601,178 S *	9/2009	Apotheloz	D16/131
D626,162 S *	10/2010	Suzuki et al.	D16/131

* cited by examiner

Primary Examiner — Paula Greene

(74) *Attorney, Agent, or Firm* — Renner, Otto, Boisselle & Sklar, LLP

Related U.S. Application Data

- (63) Continuation of application No. 29/351,676, filed on Dec. 9, 2009, now abandoned.
- (51) **LOC (9) Cl.** **16-06**
- (52) **U.S. Cl.** **D16/131**
- (58) **Field of Classification Search** D16/130, D16/131, 134, 135; 362/362, 419, 253; 359/368, 359/382, 385, 363, 384, 388, 390, 399, 430, 359/813, 814, 818, 819
See application file for complete search history.

(57) **CLAIM**

The ornamental design for a microscope, as shown and described.

DESCRIPTION

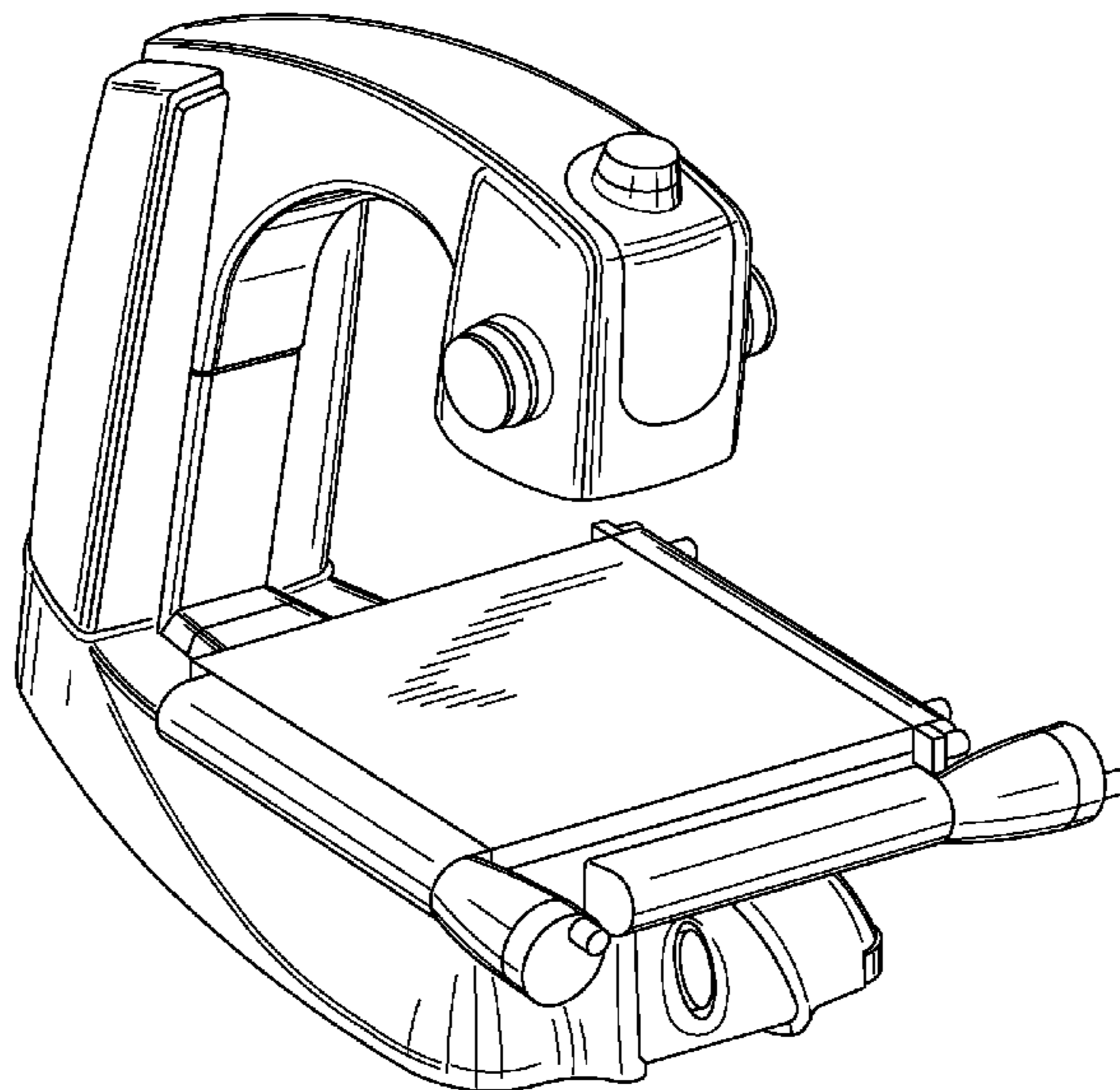
FIG. 1 is a perspective view of a microscope showing our new design, the bottom of which is not part of our design.
 FIG. 2 is a plan view of the microscope showing my new design.
 FIG. 3 is a one side view of the microscope showing my new design.
 FIG. 4 is an other side view of the microscope showing my new design.
 FIG. 5 is a front view of the microscope showing my new design; and,
 FIG. 6 is a rear view of the microscope showing my new design.

(56) **References Cited**

U.S. PATENT DOCUMENTS

2,135,870 A *	11/1938	Fassin	359/383
D148,123 S *	12/1947	Armbruster et al.	D16/131
2,901,942 A *	9/1959	Tackaberry	359/383
D195,998 S *	8/1963	Aubock	D16/131
3,360,641 A *	12/1967	Korte	359/385
D252,276 S *	7/1979	Griffith	D16/131
D260,402 S *	8/1981	Hodgson	D16/131
4,284,327 A *	8/1981	Kraft et al.	359/388

1 Claim, 3 Drawing Sheets



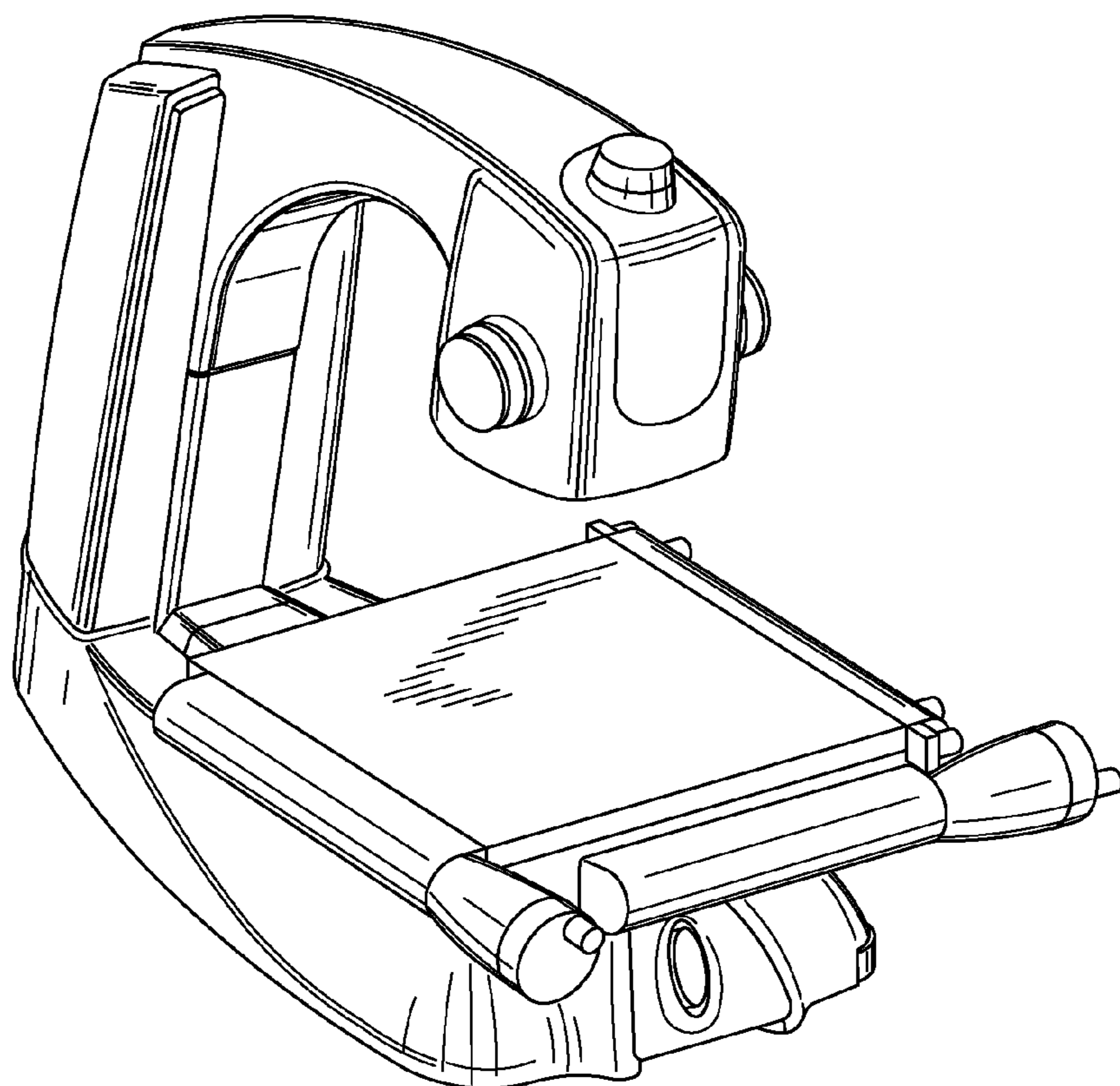


Fig. 1

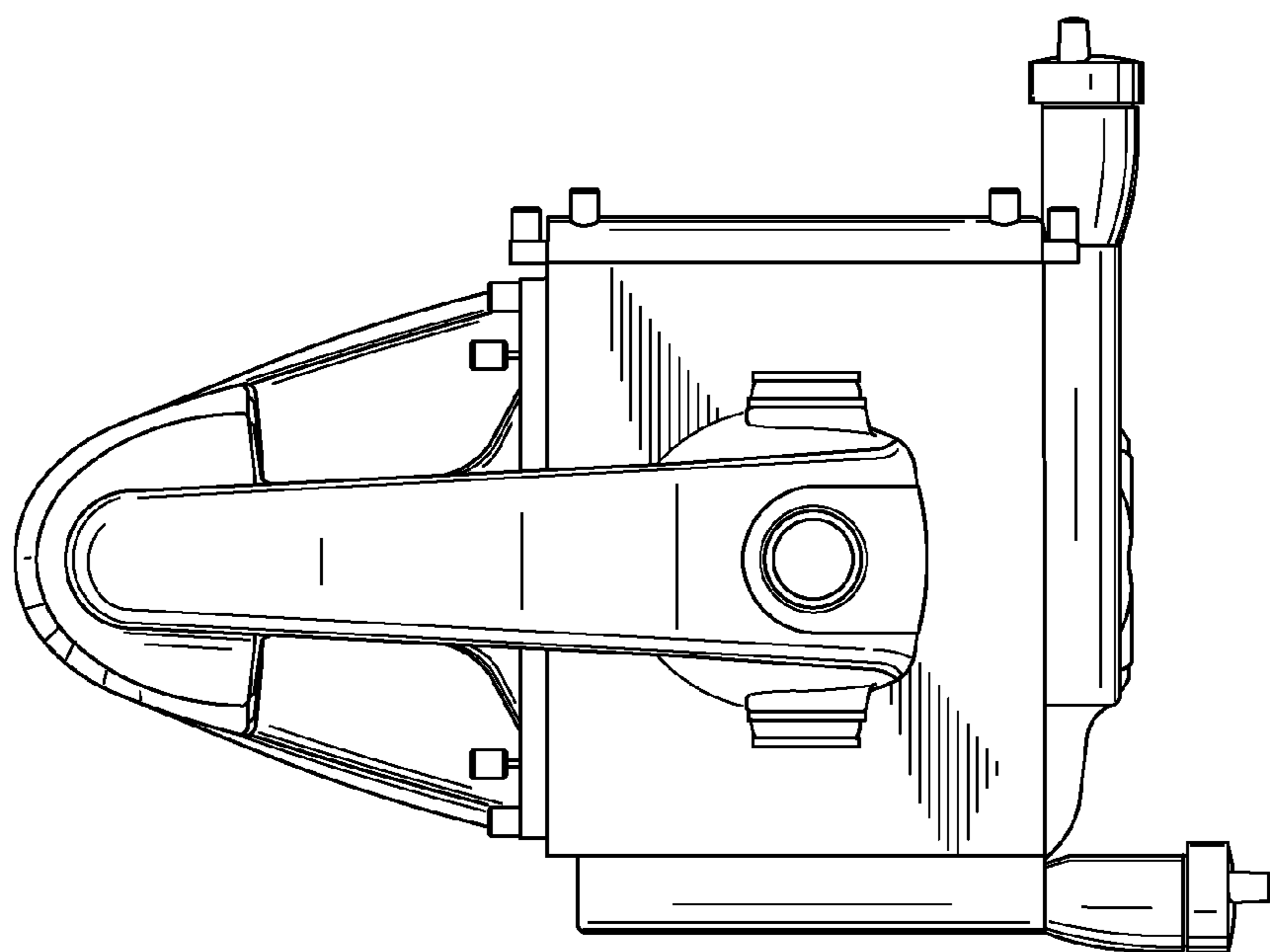


Fig. 2

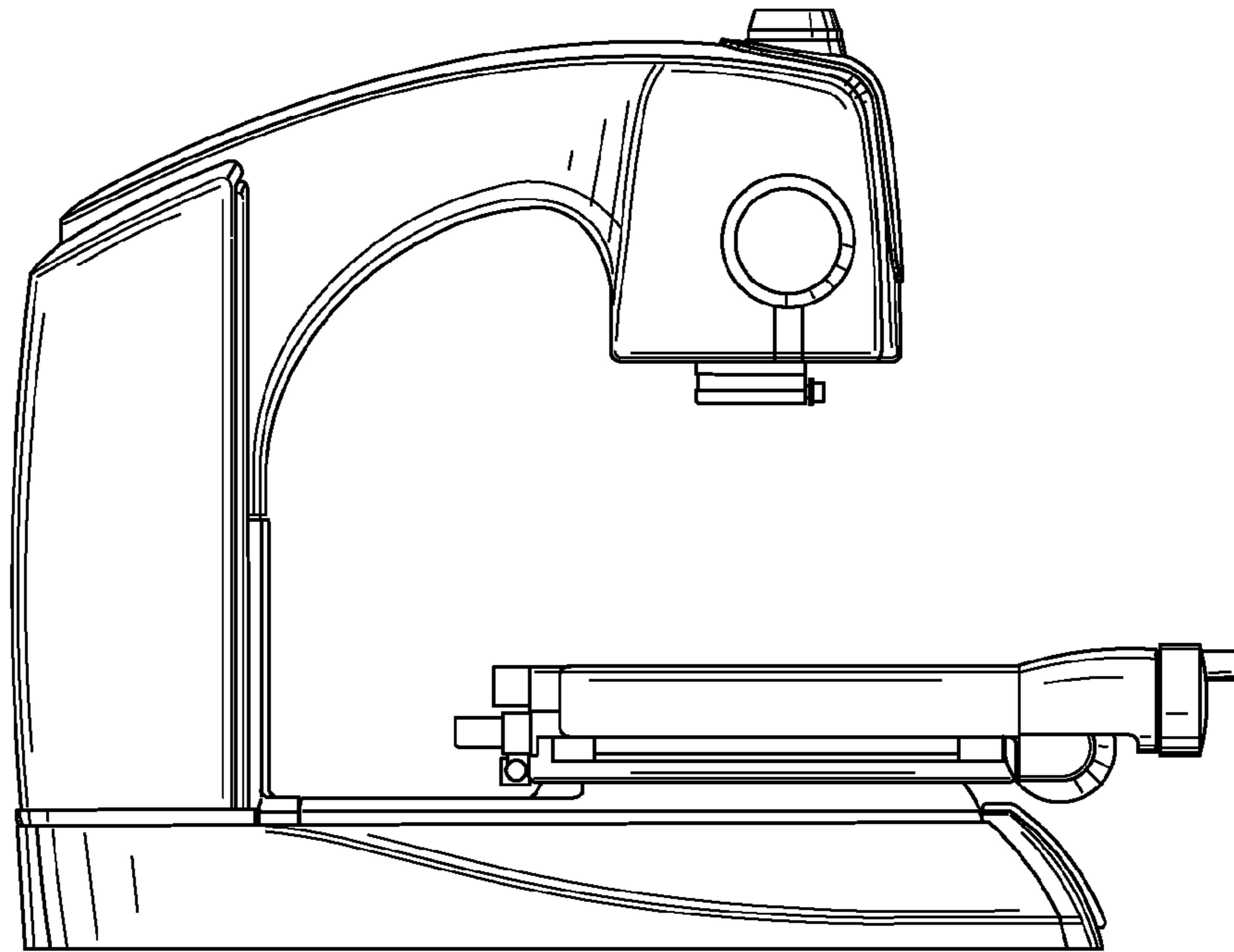


Fig. 3

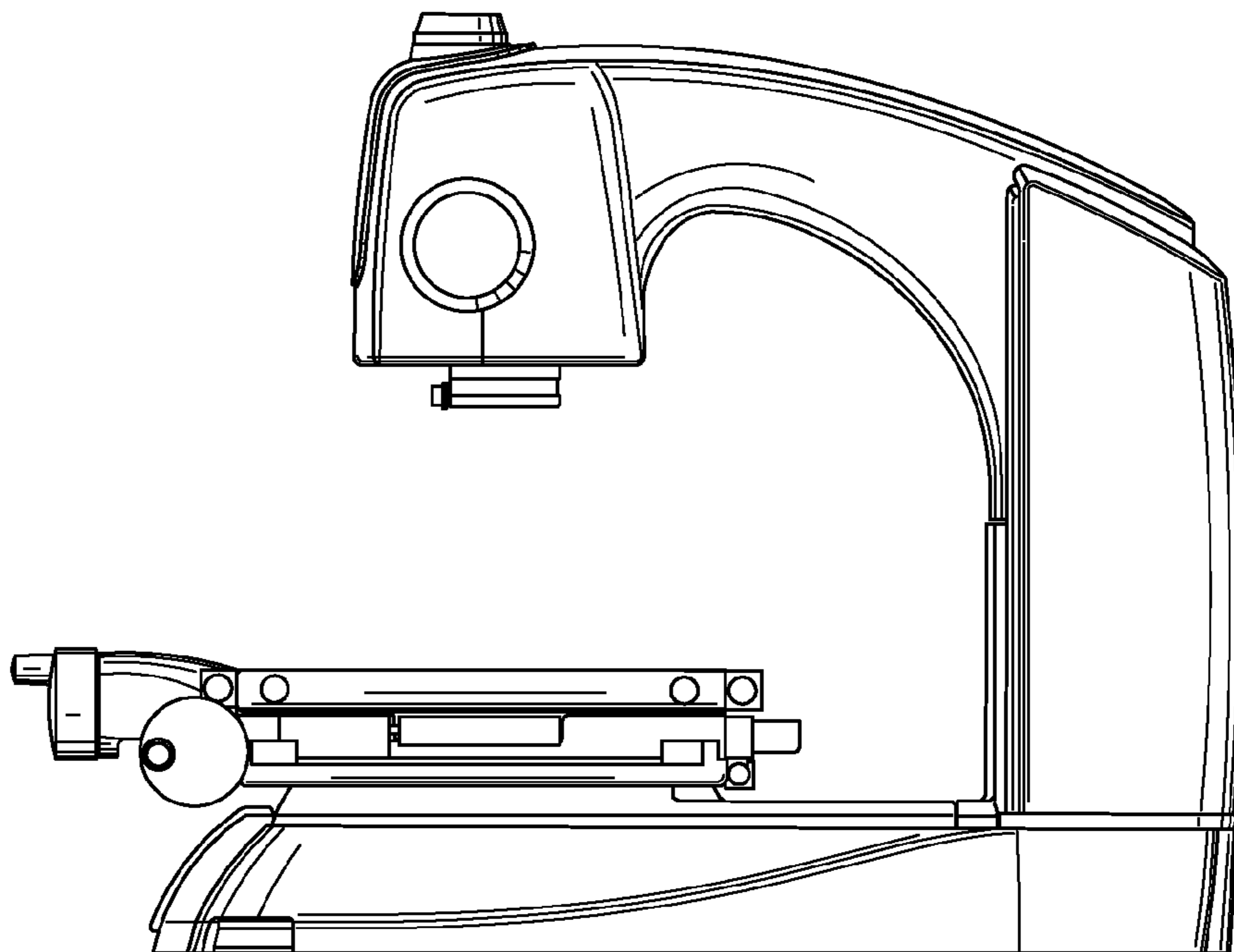


Fig. 4

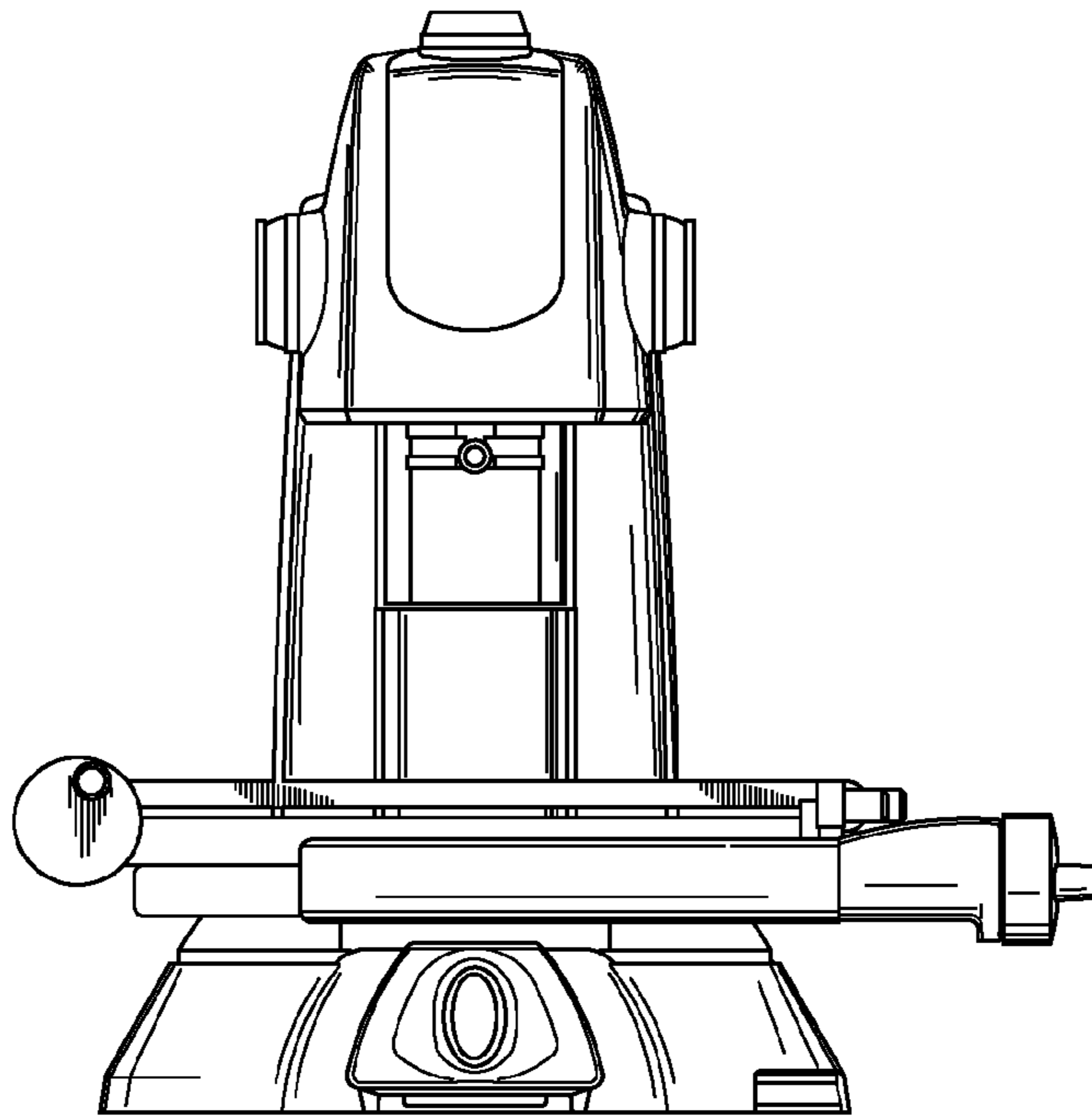


Fig. 5

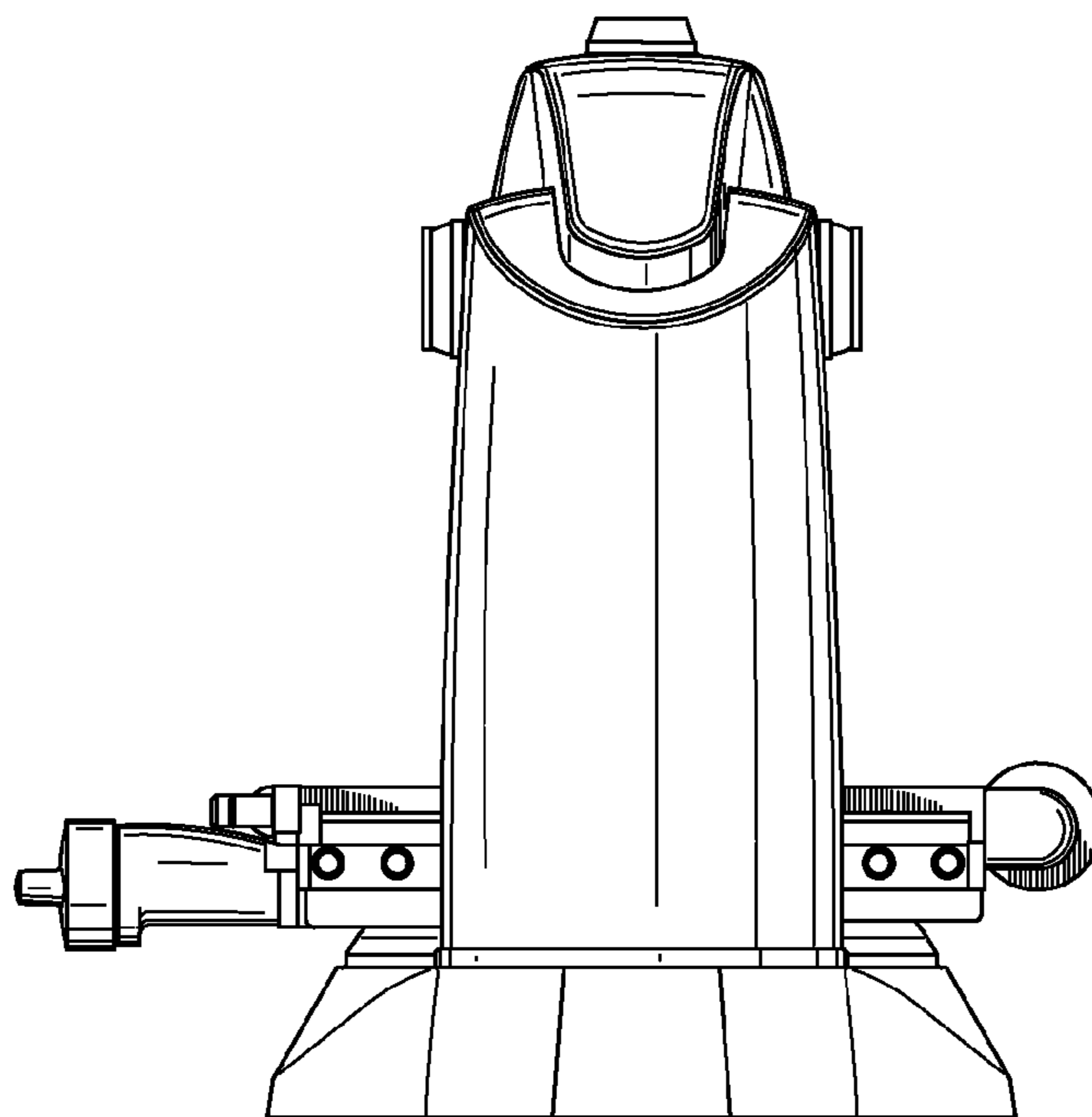


Fig. 6