



US00D647550S

(12) **United States Design Patent**  
**Yamamoto**

(10) **Patent No.:** **US D647,550 S**

(45) **Date of Patent:** **\*\* Oct. 25, 2011**

(54) **POWER OUTPUT SHAFT**

(75) Inventor: **Akira Yamamoto**, Obu (JP)

(73) Assignee: **Sumitomo Heavy Industries, Ltd.**,  
Tokyo (JP)

(\*\*) Term: **14 Years**

(21) Appl. No.: **29/336,056**

(22) Filed: **Apr. 28, 2009**

(30) **Foreign Application Priority Data**

Oct. 30, 2008 (JP) ..... D2008-027963

(51) **LOC (9) Cl.** ..... **15-09**

(52) **U.S. Cl.** ..... **D15/149**

(58) **Field of Classification Search** ..... D6/524;  
D8/373; D15/148, 149; D23/223, 224, 263;  
4/464; 30/92, 372, 392, 500; 74/467, 606 R;  
180/375, 297, 379; 184/6.12; 384/255; 395/395,  
395/395.411, 464, 640; 427/249.19; 428/408;  
475/83, 331, 344, 901

See application file for complete search history.

(56) **References Cited**

**U.S. PATENT DOCUMENTS**

4,037,429 A \* 7/1977 Britzius ..... 464/177  
4,213,512 A \* 7/1980 Mazziotti ..... 180/233  
4,223,929 A \* 9/1980 Lint ..... 292/169.18

5,545,104 A \* 8/1996 Tilley ..... 475/331  
6,125,717 A \* 10/2000 Phillips ..... 74/606 R  
D479,541 S \* 9/2003 Lannoch ..... D15/148  
D495,725 S \* 9/2004 Kwon ..... D15/149  
D523,045 S \* 6/2006 Costello ..... D15/149  
2008/0196523 A1 \* 8/2008 Liu ..... 74/89.4  
2009/0060644 A1 \* 3/2009 Blanchard ..... 403/321

\* cited by examiner

*Primary Examiner* — Patricia Palasik

(74) *Attorney, Agent, or Firm* — Leydig, Voit & Mayer, Ltd.

(57) **CLAIM**

The ornamental design for a power-output shaft, as shown and described.

**DESCRIPTION**

FIG. 1 is a front view of a power-output shaft of the present invention.

FIG. 2 is a rear view of the power-output shaft of FIG. 1.

FIG. 3 is a top plan view of the power-output shaft of FIG. 1.

FIG. 4 is a bottom view of the power-output shaft of FIG. 1.

FIG. 5 is a right side view of the power-output shaft of FIG. 1.

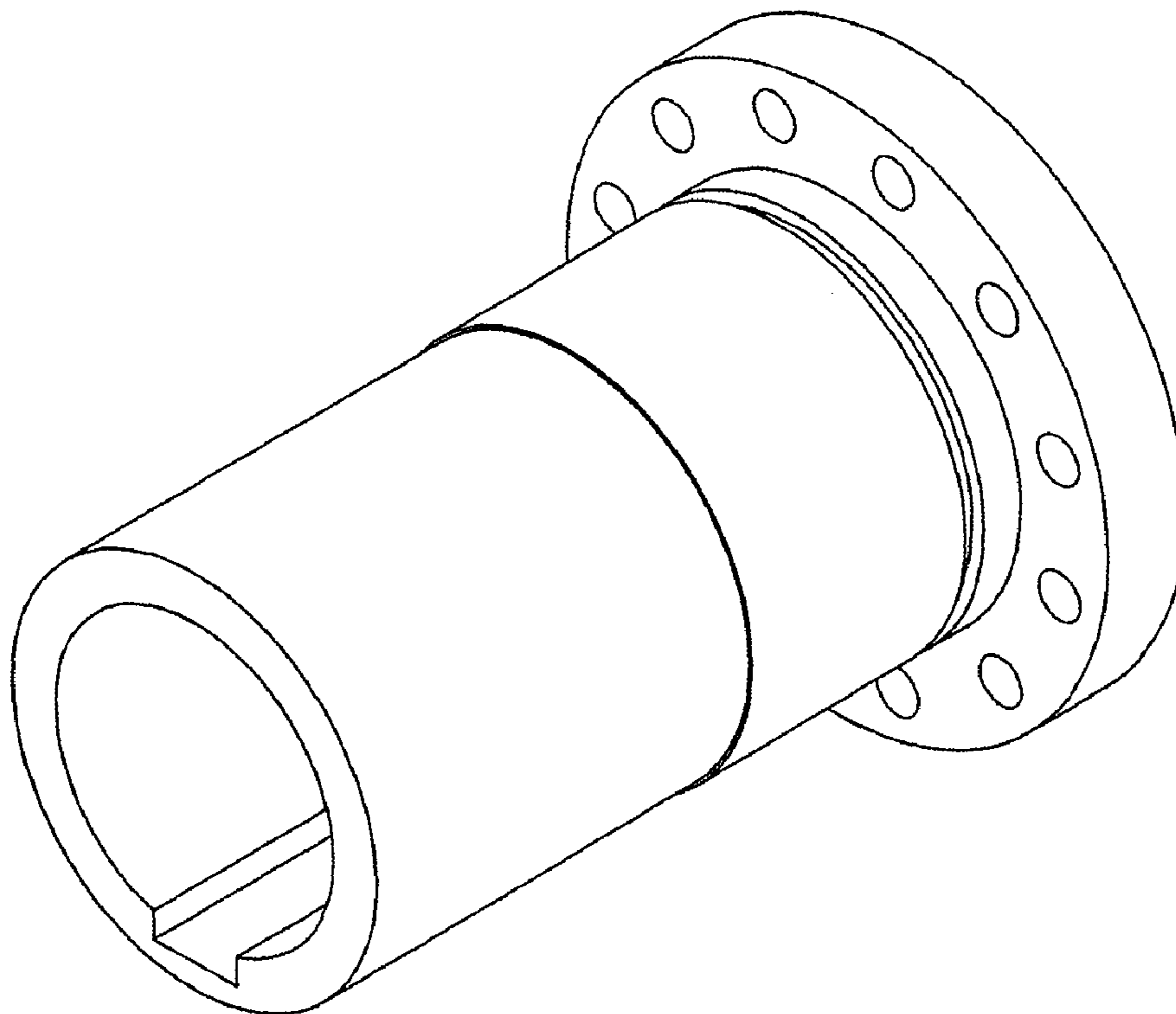
FIG. 6 is a left side view of the power-output shaft of FIG. 1.

FIG. 7 is a front perspective view of the power-output shaft of FIG. 1.

FIG. 8 is a rear perspective view of the power-output shaft of FIG. 1; and,

FIG. 9 is a cross-sectional view taken along line 9-9 of FIG. 5. The features shown in broken lines depict environmental subject matter only and form no part of the claimed design.

**1 Claim, 9 Drawing Sheets**



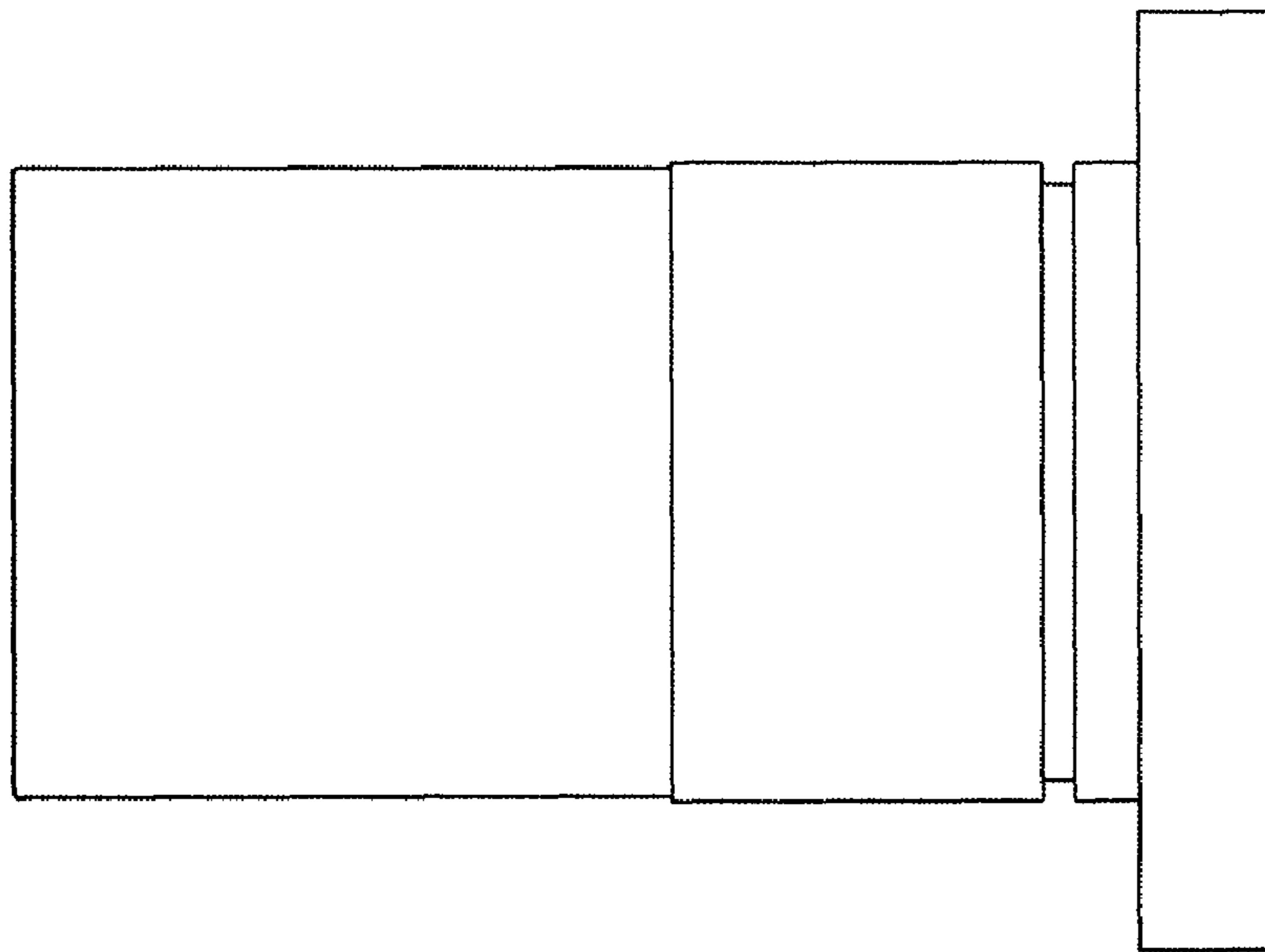


FIGURE 1

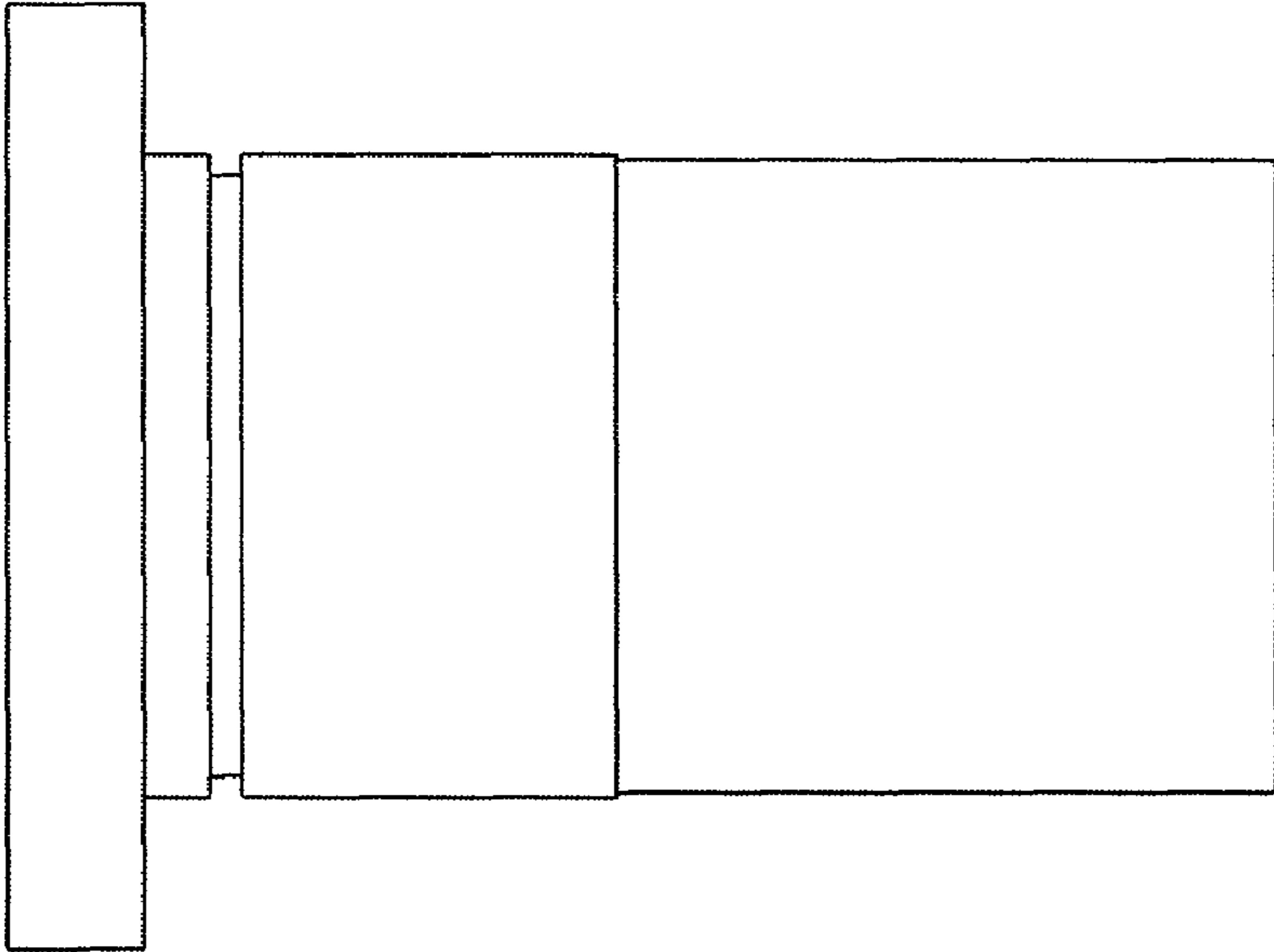


FIGURE 2

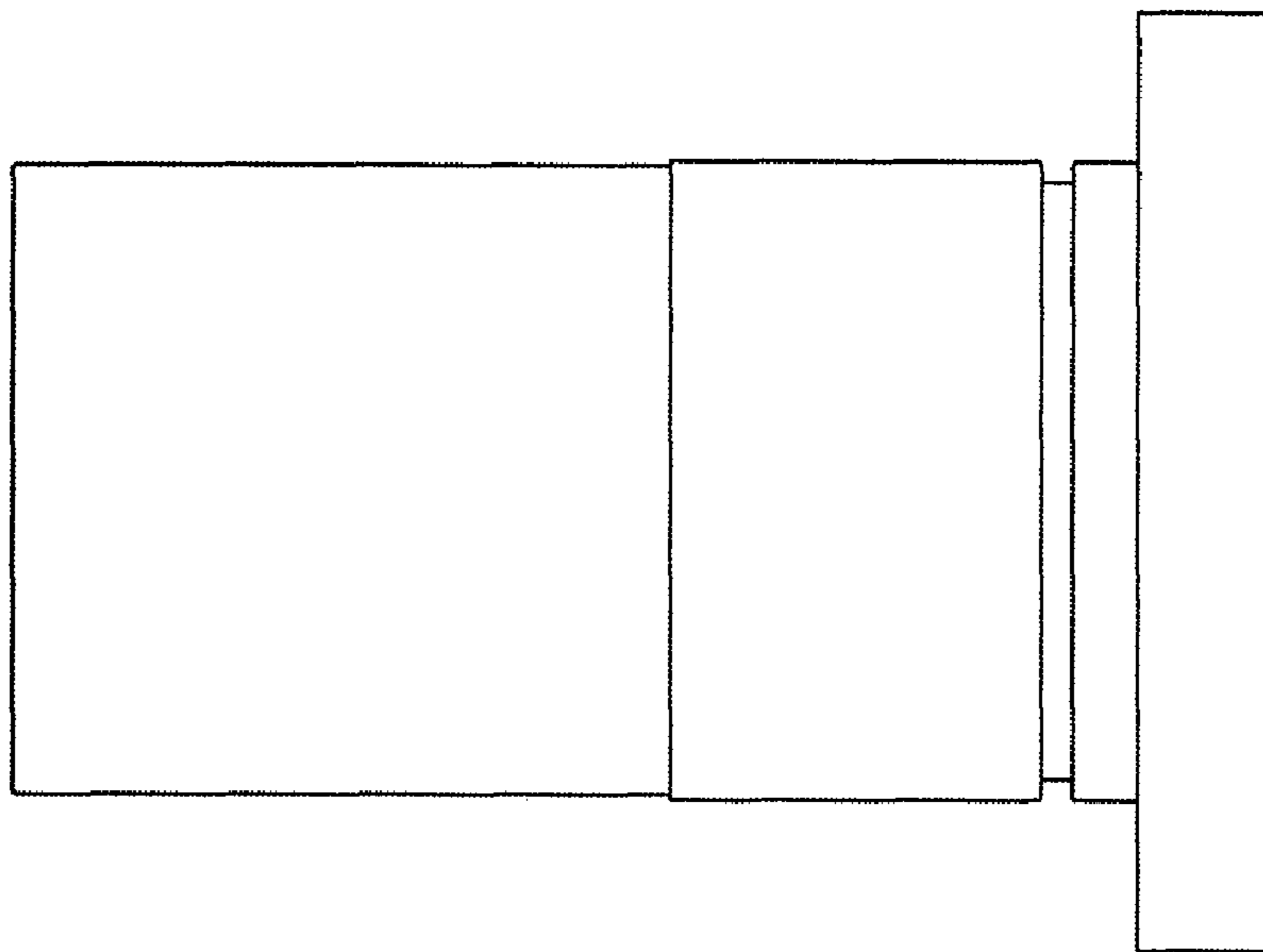


FIGURE 3

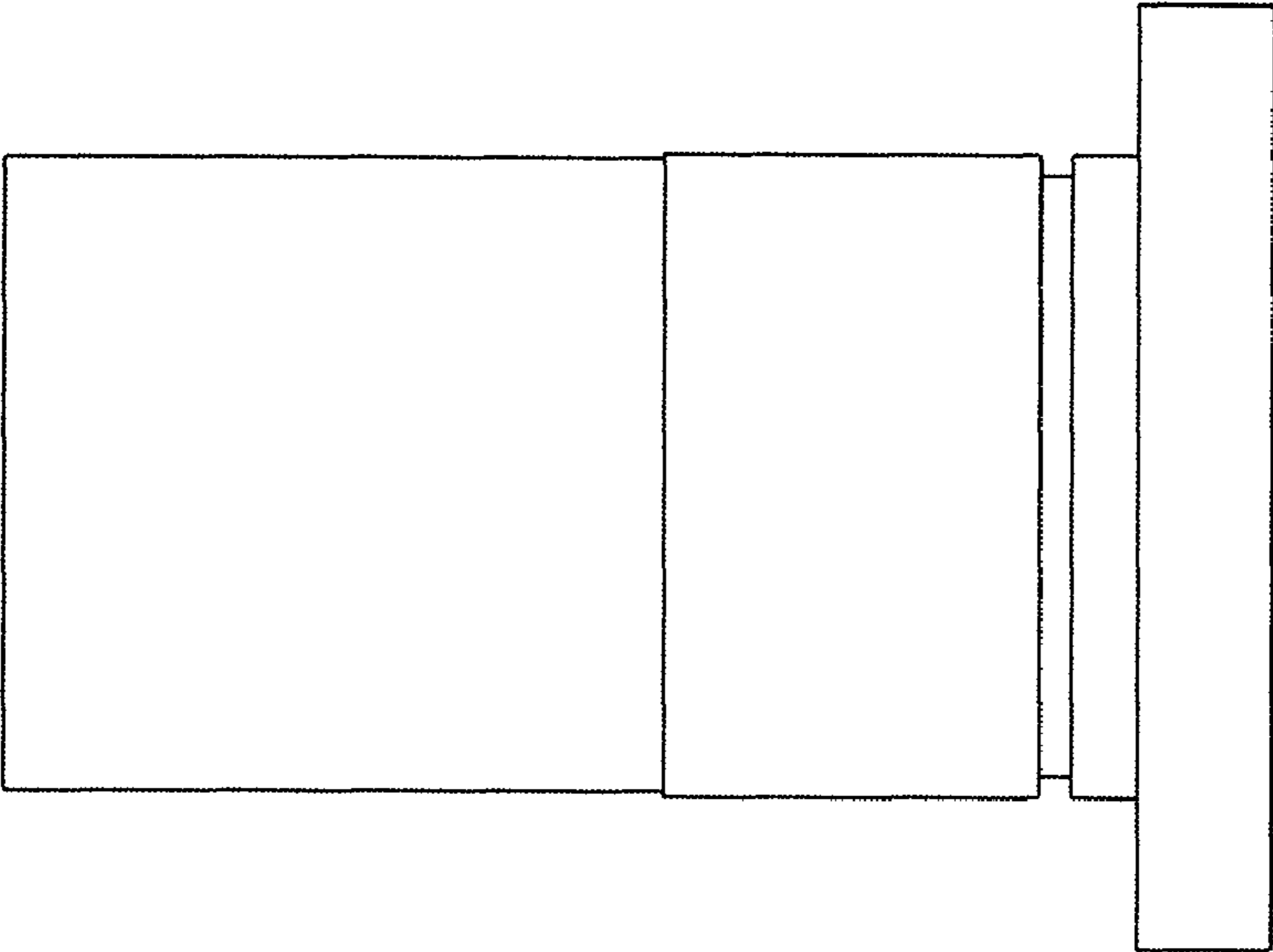


FIGURE 4

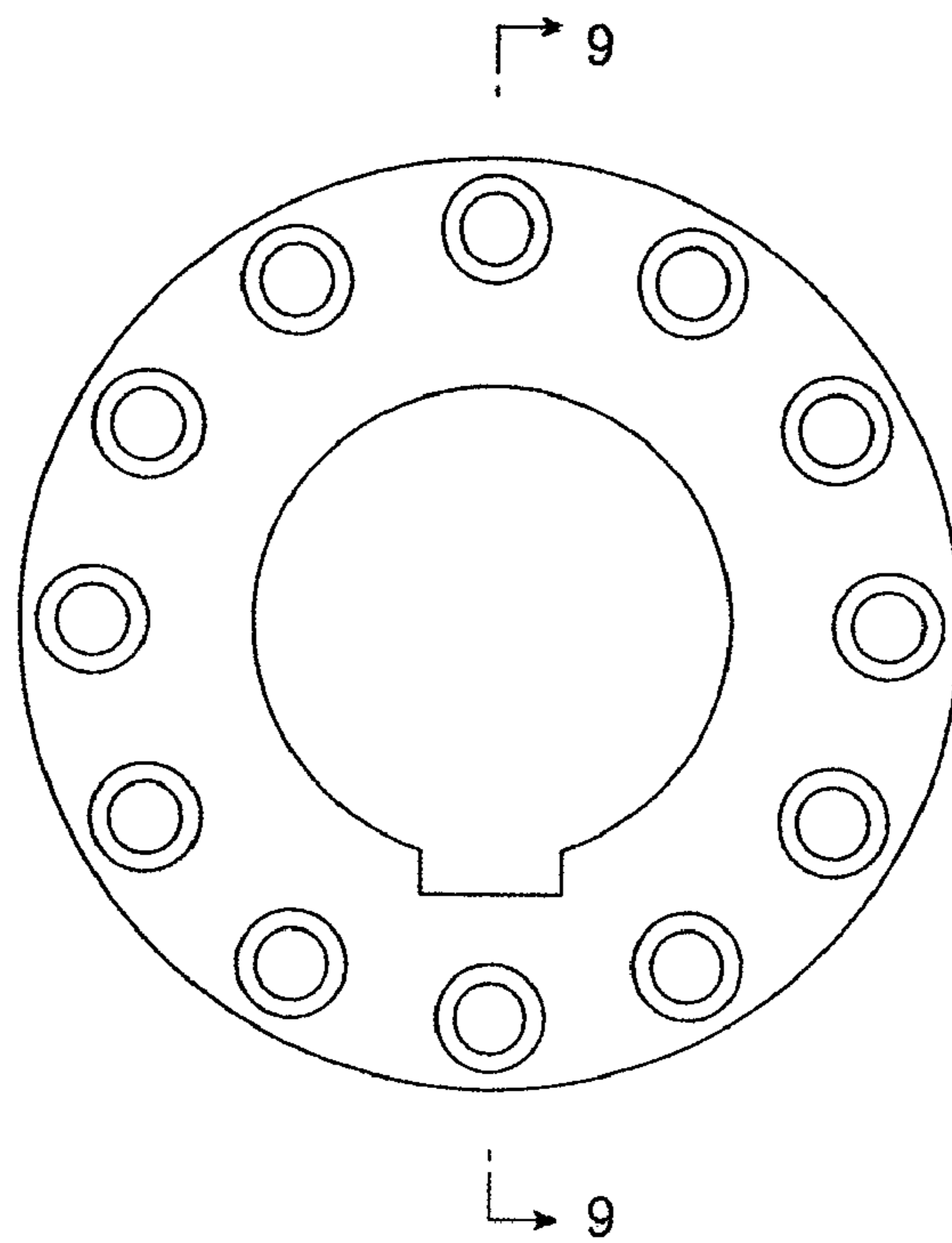


FIGURE 5

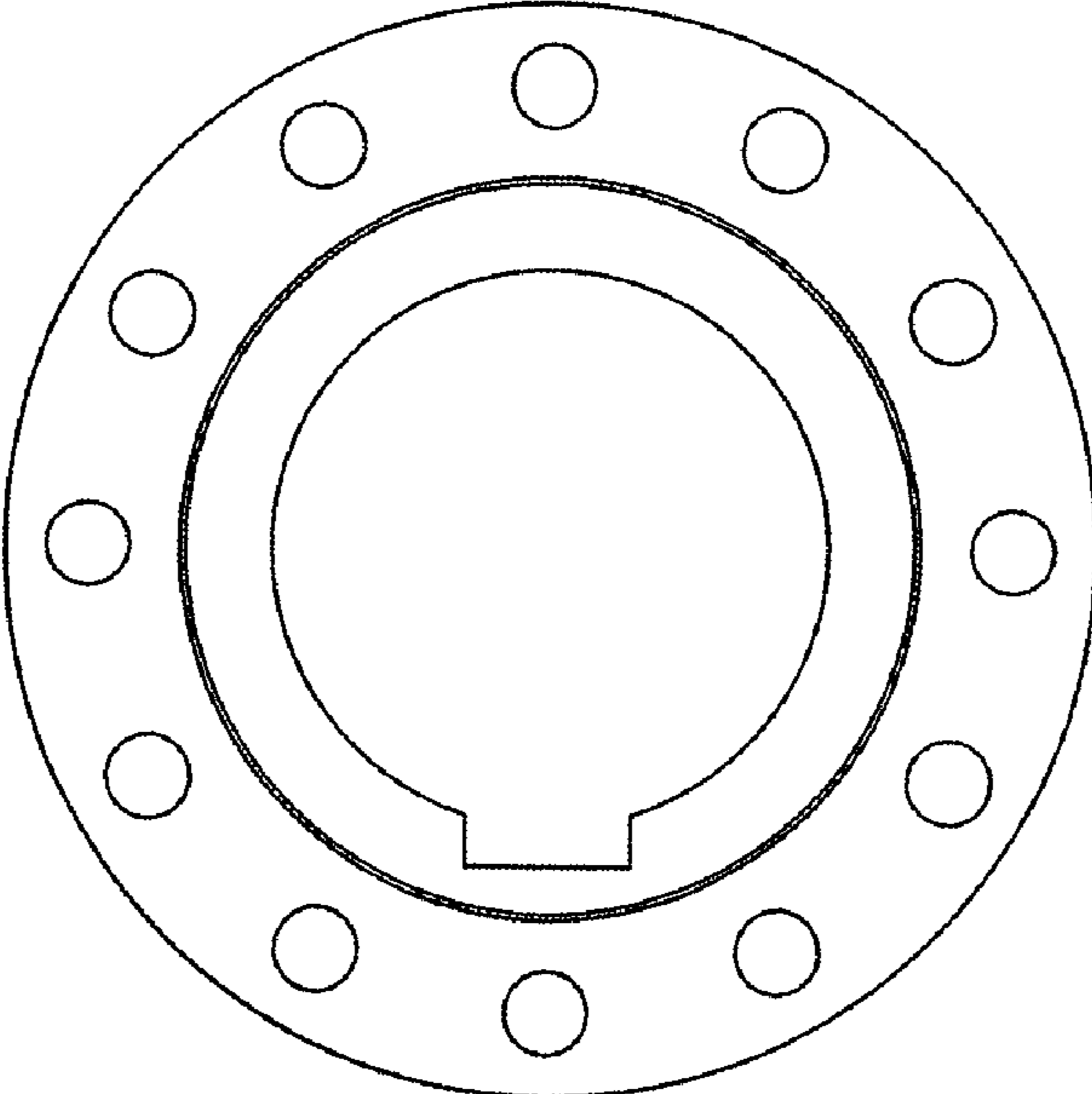


FIGURE 6

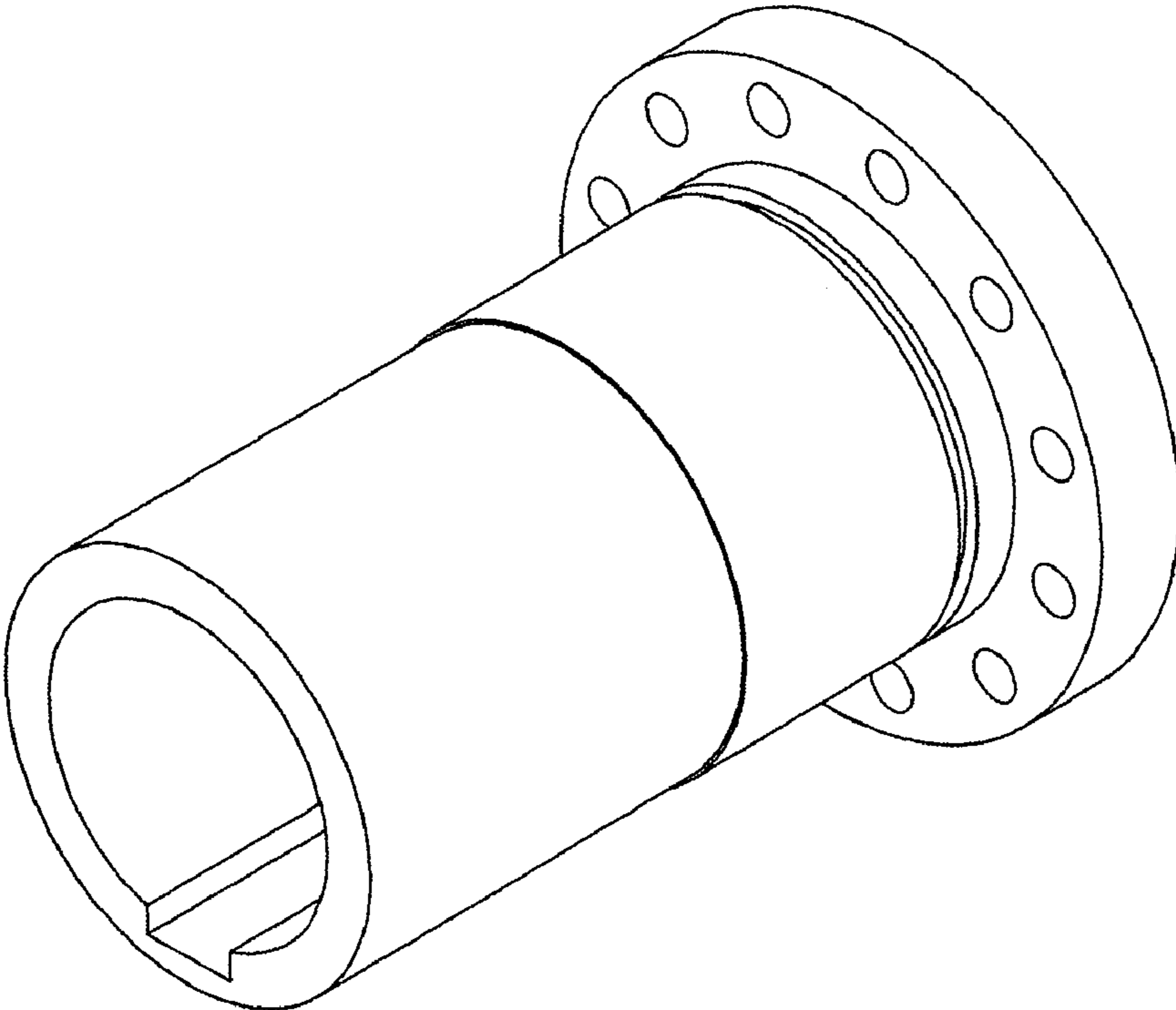


FIGURE 7



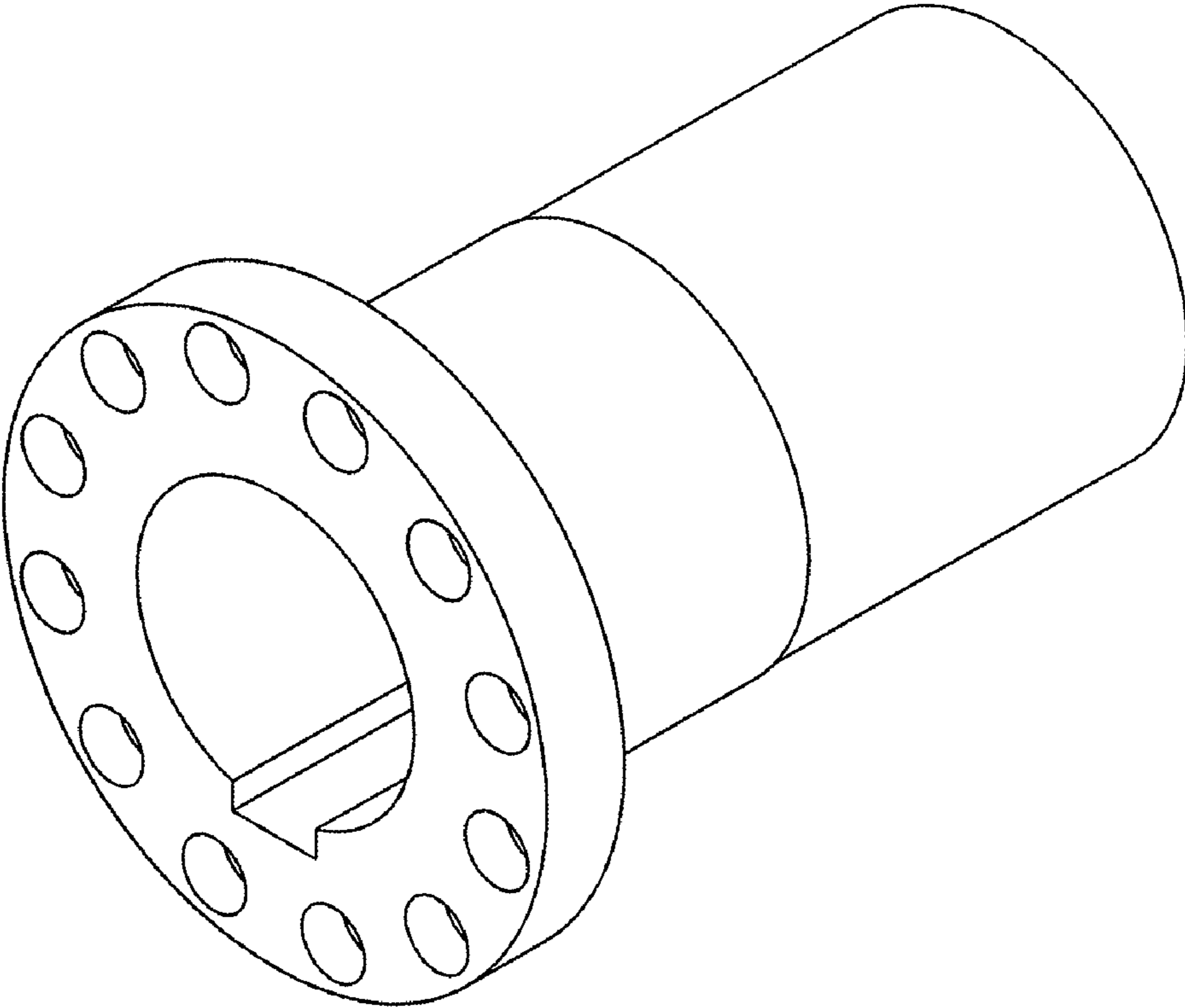


FIGURE 8

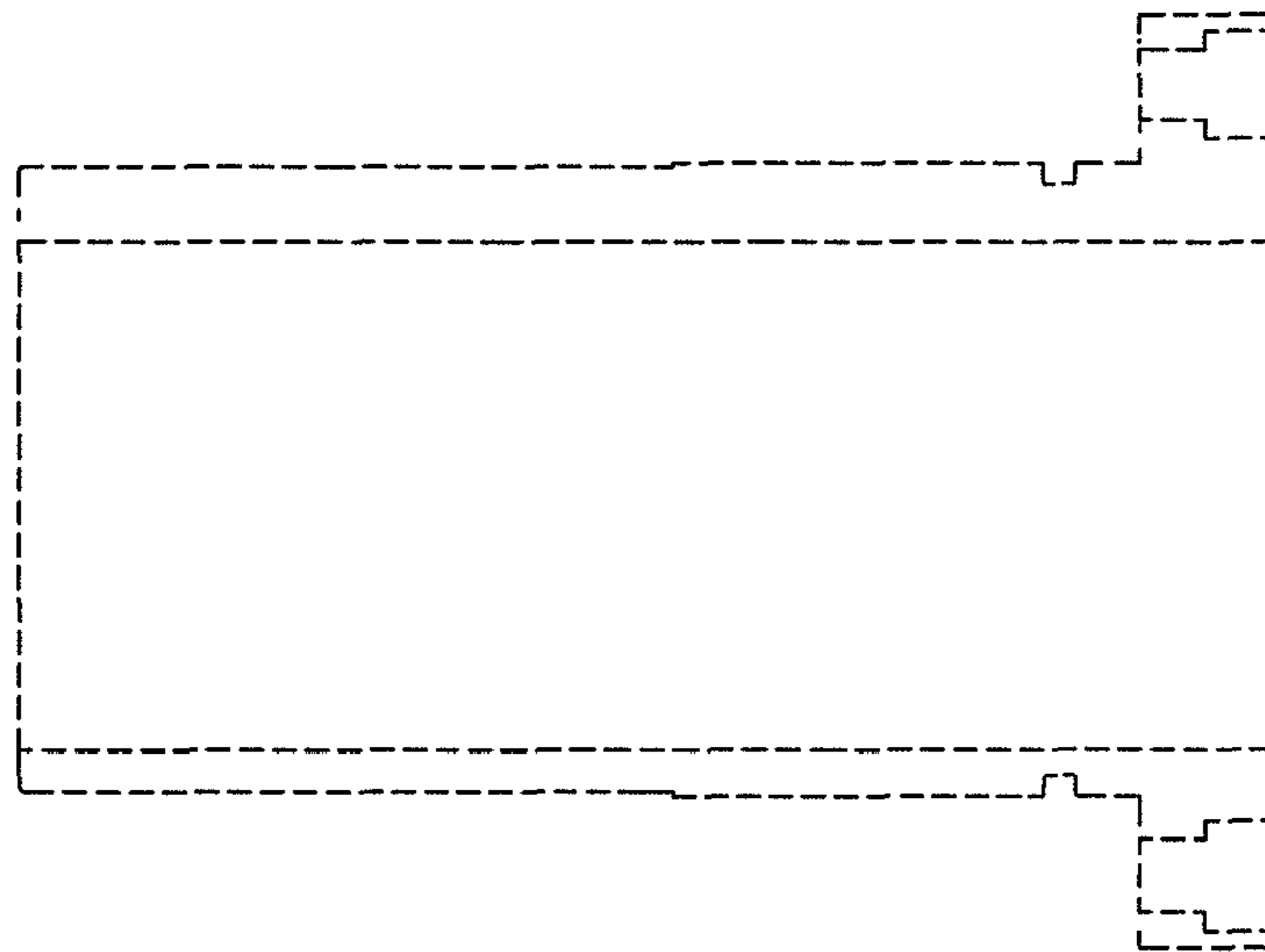


FIGURE 9