



US00D647541S

(12) **United States Design Patent**  
**Simmons et al.**

(10) **Patent No.:** **US D647,541 S**

(45) **Date of Patent:** **\*\* Oct. 25, 2011**

(54) **MOBILE ENVIRONMENTAL PRODUCTS  
BAGGING MACHINE**

(75) Inventors: **Michael C. Simmons**, Overland Park, KS (US); **Robert K. Hoggatt**, Spring Hill, KS (US)

(73) Assignee: **Michael C. Simmons**, Overland Park, KS (US)

(\*\*) Term: **14 Years**

(21) Appl. No.: **29/352,866**

(22) Filed: **Dec. 29, 2009**

(51) **LOC (9) Cl.** ..... **15-03**

(52) **U.S. Cl.** ..... **D15/27; D15/145**

(58) **Field of Classification Search** ..... D15/10,  
D15/27, 122, 145; 56/341; 141/71, 114,  
141/172, 231, 314

See application file for complete search history.

(56) **References Cited**

**U.S. PATENT DOCUMENTS**

2,299,702	A *	10/1942	Mosel	.....	220/553
3,552,346	A	1/1971	Garden		
4,819,701	A *	4/1989	Thornton	.....	141/231
D320,800	S *	10/1991	Johnson et al.	.....	D15/27
6,145,709	A *	11/2000	Hogan et al.	.....	222/278
6,431,407	B1 *	8/2002	Hogan et al.	.....	222/278
6,598,629	B2	7/2003	Malone et al.		
6,776,198	B1 *	8/2004	Haines et al.	.....	141/10
6,866,073	B1 *	3/2005	Meixelsperger et al.	.....	141/73

6,955,195	B1 *	10/2005	Marceau et al.	.....	141/10
2003/0140983	A1 *	7/2003	Ensor	.....	141/314
2004/0128953	A1 *	7/2004	Cullen	.....	53/459
2005/0120682	A1 *	6/2005	Cullen	.....	53/459
2009/0241479	A1 *	10/2009	Cullen	.....	53/473

**OTHER PUBLICATIONS**

Dr. Owen Geiger, "Sandbag Machines" at EarthbagBuilding.com, <http://www.earthbagbuilding.com/articles/machines.htm> (last visited Jun. 25, 2009).

"Rotochopper—The Thinking Man's Grinder" at Rotochopper, Inc., [http://www.rotochopper.com/Bagging\\_Solutions.php](http://www.rotochopper.com/Bagging_Solutions.php) (last visited Jun. 25, 2009).

\* cited by examiner

*Primary Examiner* — Patricia Palasik

(74) *Attorney, Agent, or Firm* — Hovey Williams LLP

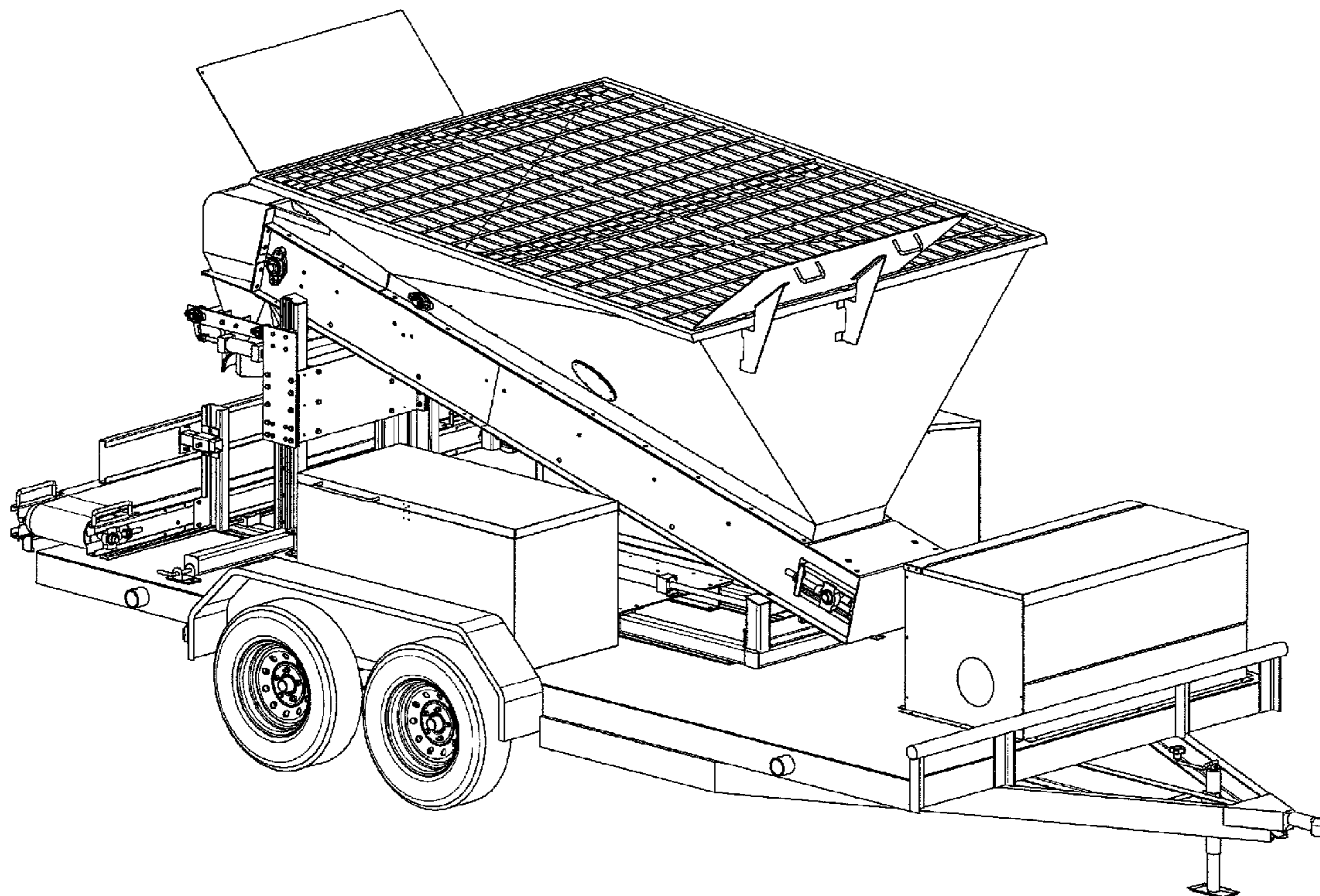
(57) **CLAIM**

The ornamental design for a mobile environmental products bagging machine, as shown and described.

**DESCRIPTION**

FIG. 1 is a right front perspective view of a mobile bagging machine incorporating our novel design; FIG. 2 is a right rear perspective view thereof; FIG. 3 is a left front perspective view thereof; FIG. 4 is a left rear perspective view thereof; FIG. 5 is a right side elevational view thereof; FIG. 6 is a left side elevational view thereof; FIG. 7 is a top plan view thereof; FIG. 8 is a front elevational view thereof; and, FIG. 9 is a rear elevational view thereof.

**1 Claim, 8 Drawing Sheets**



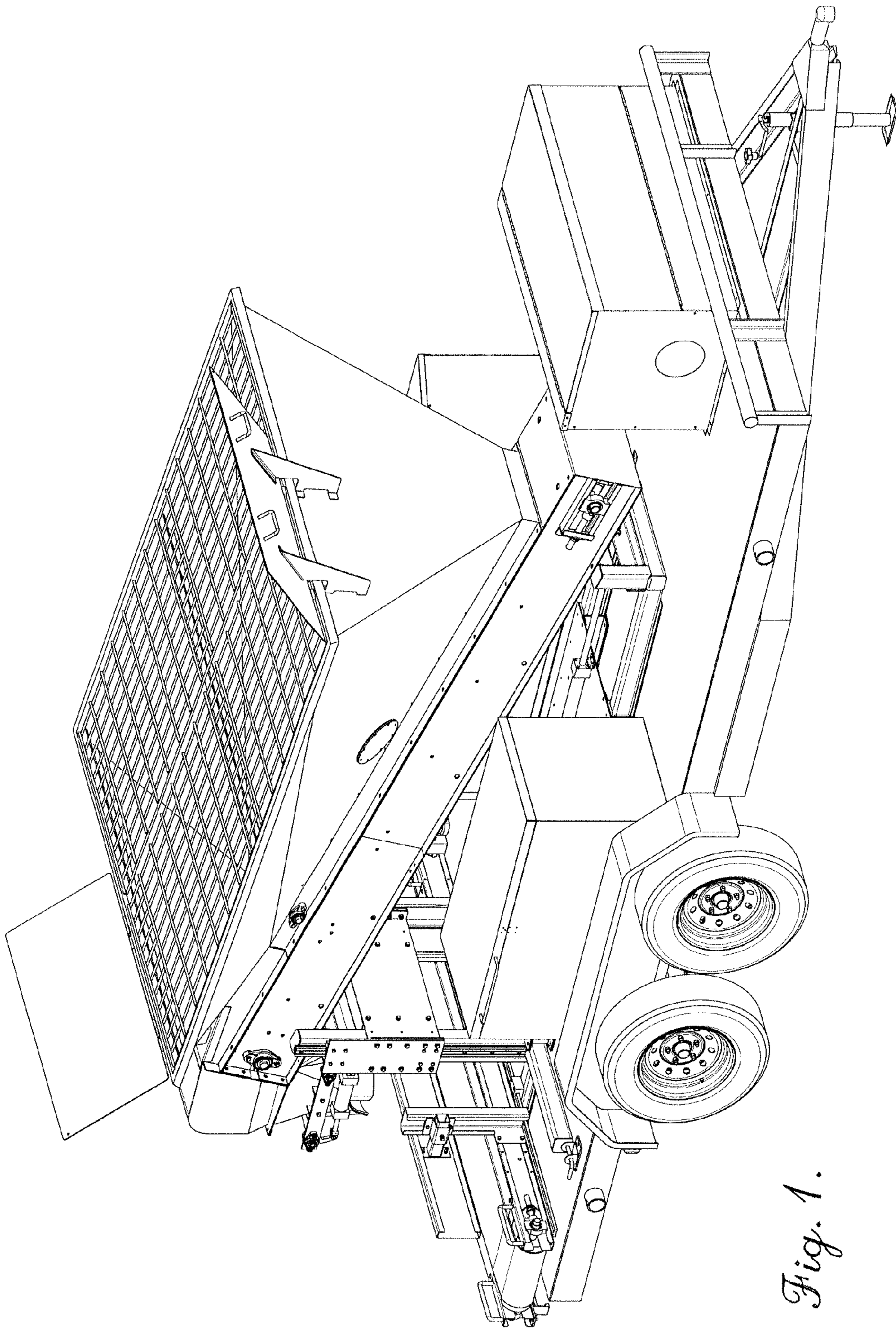
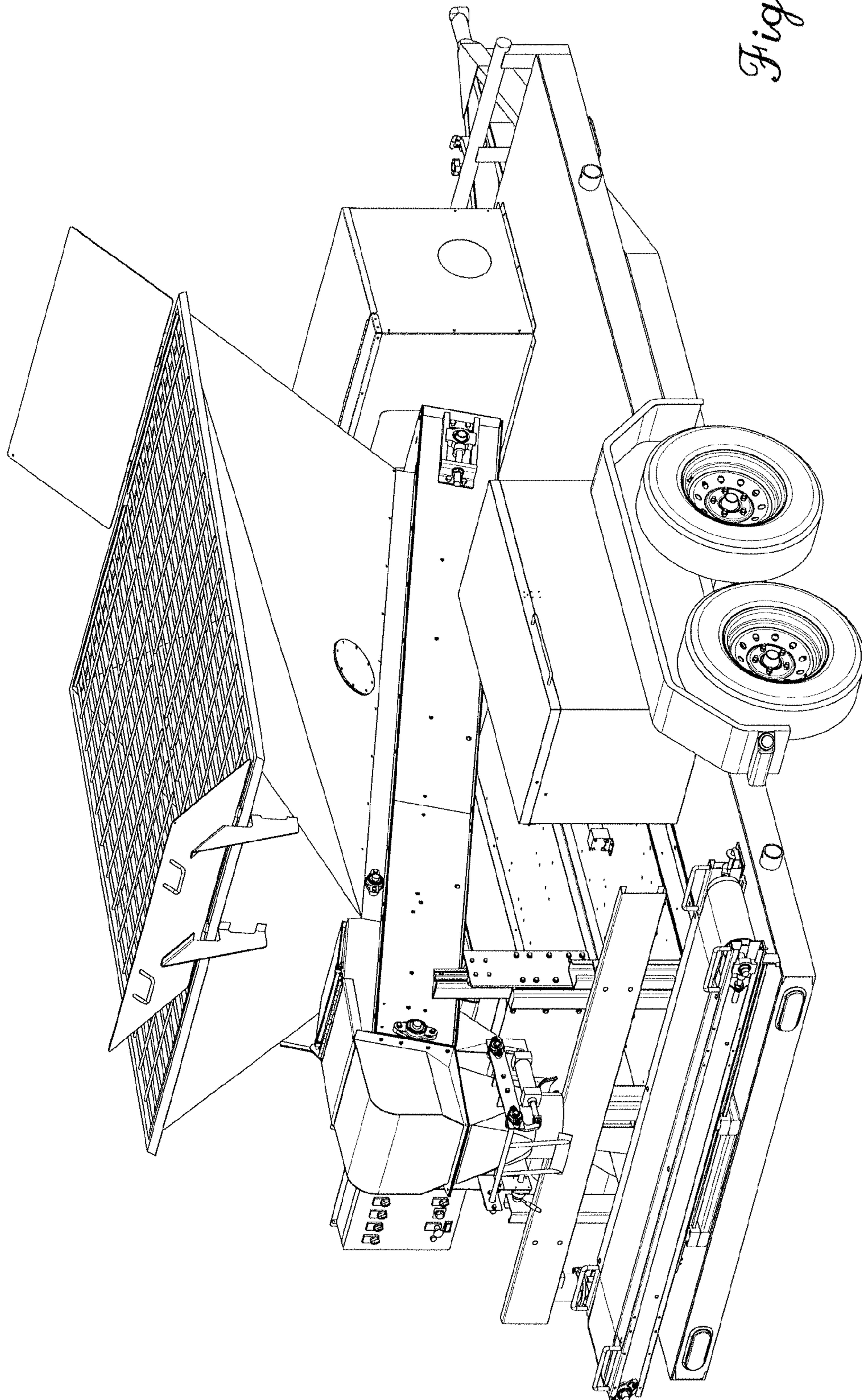
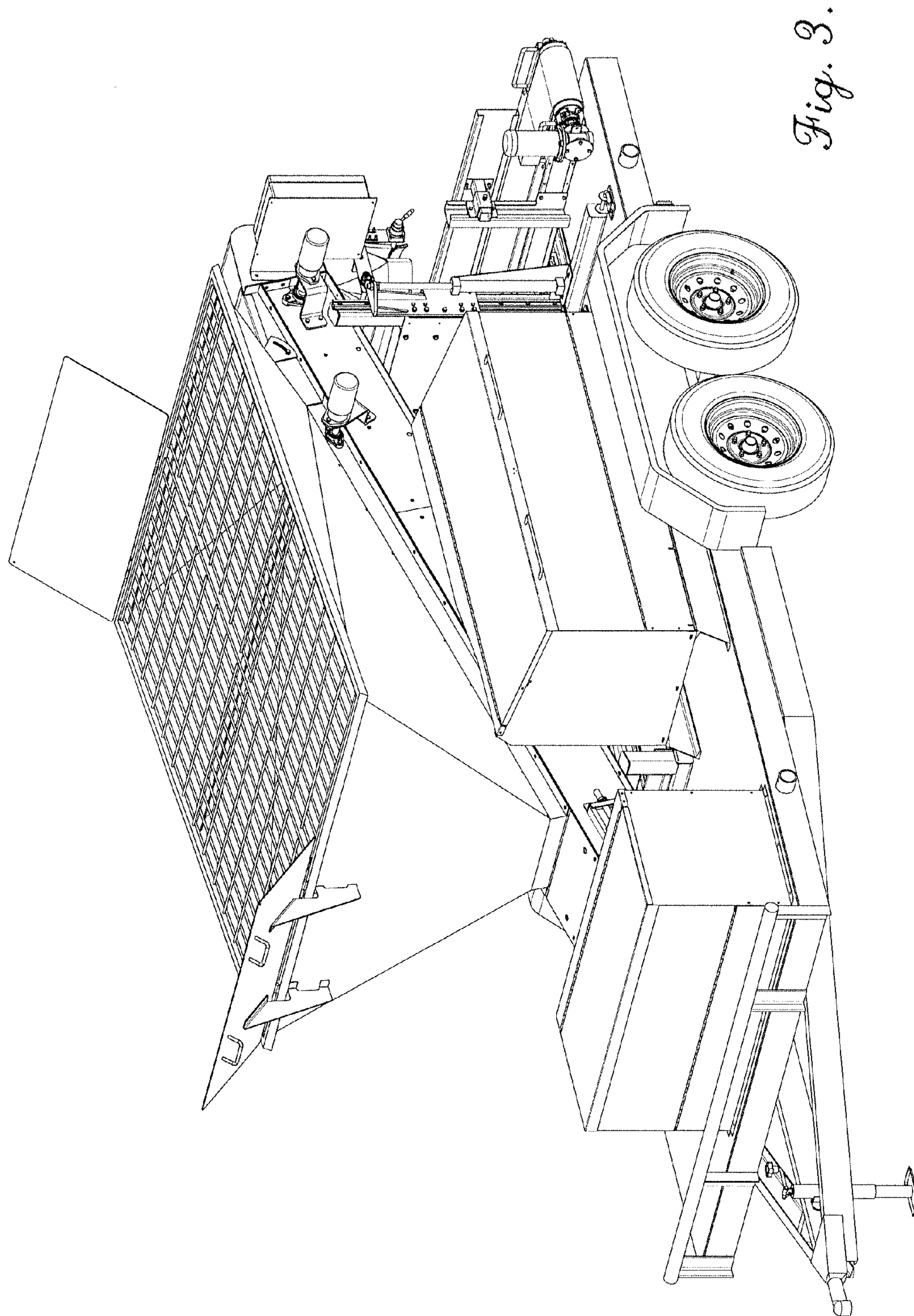


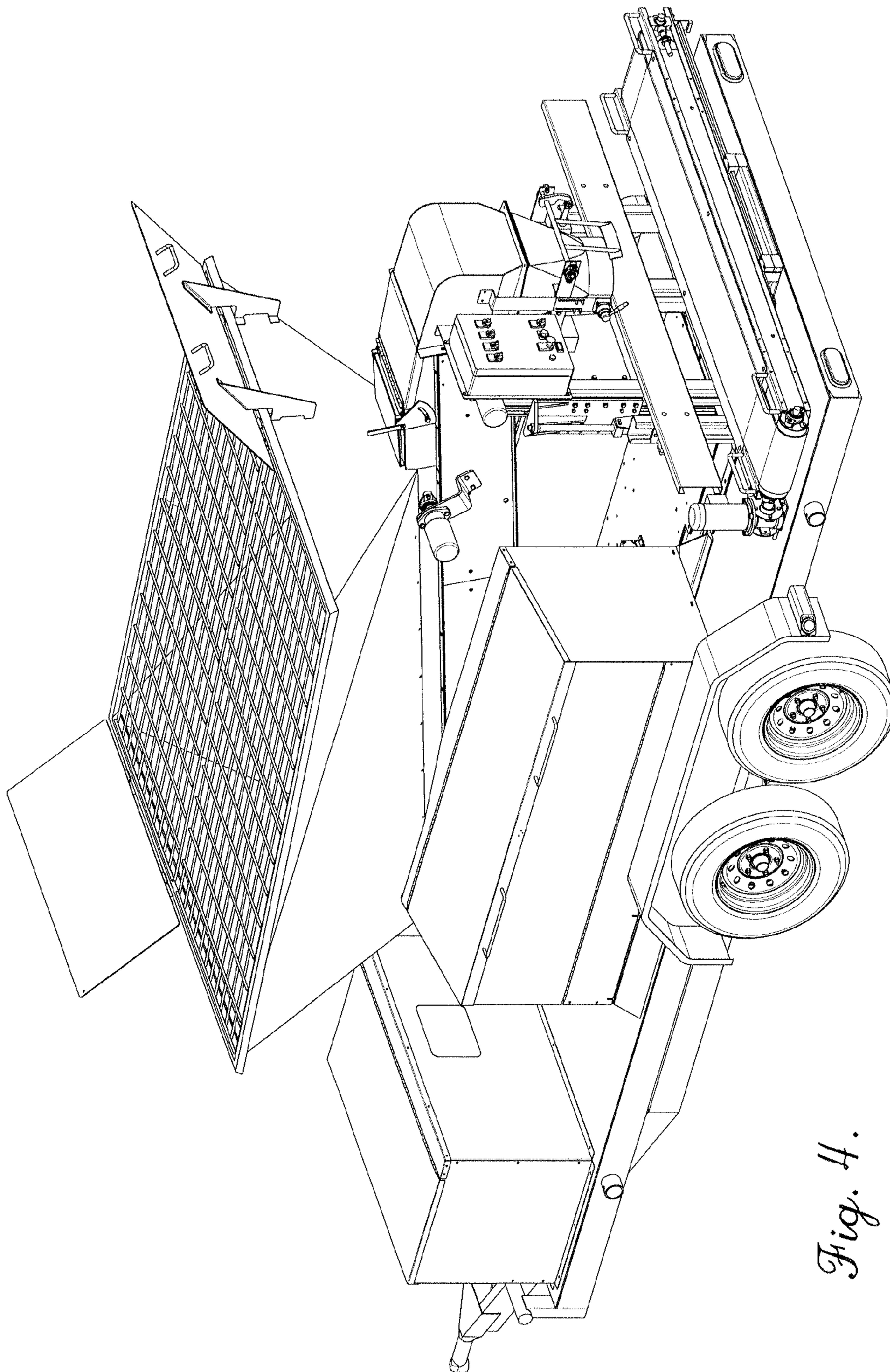
Fig. 1.

*Fig. 2.*

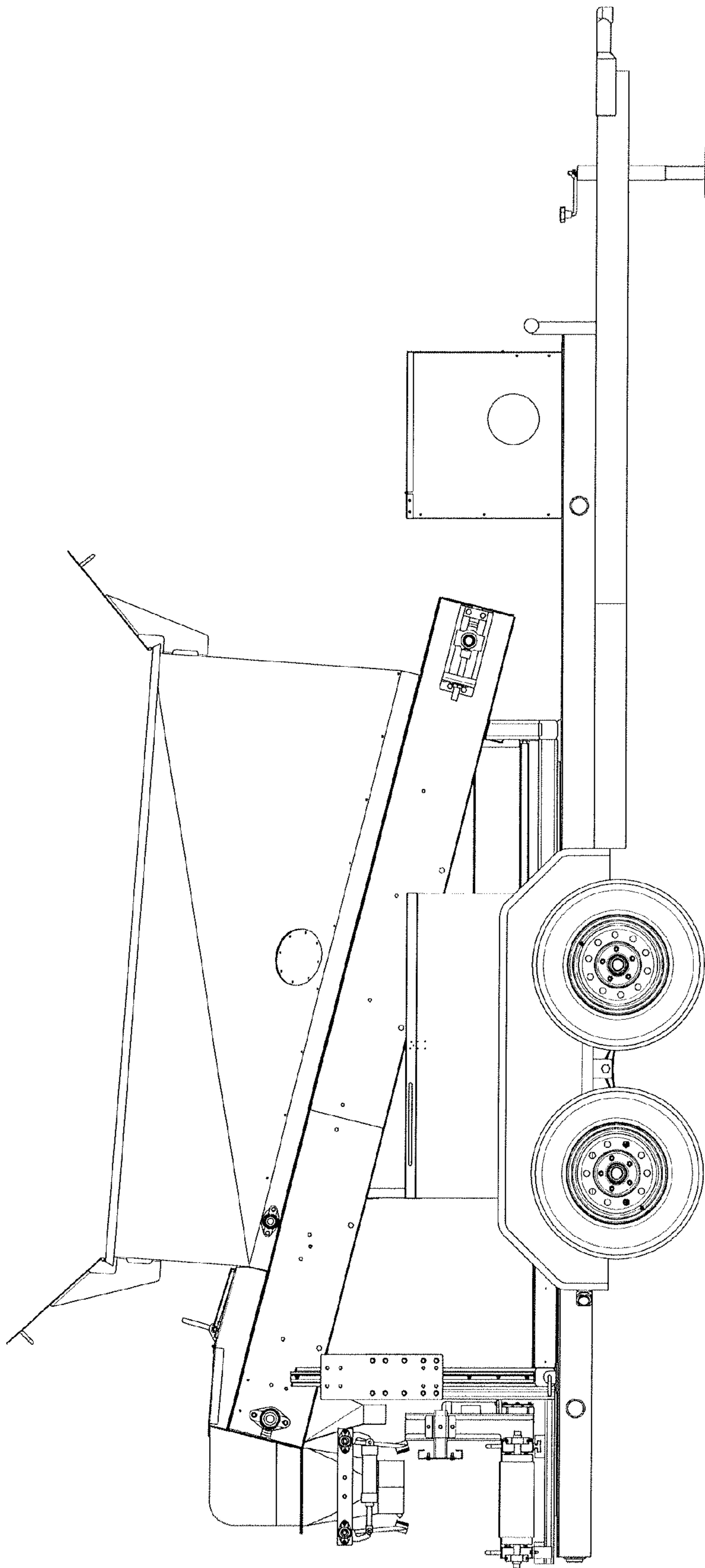




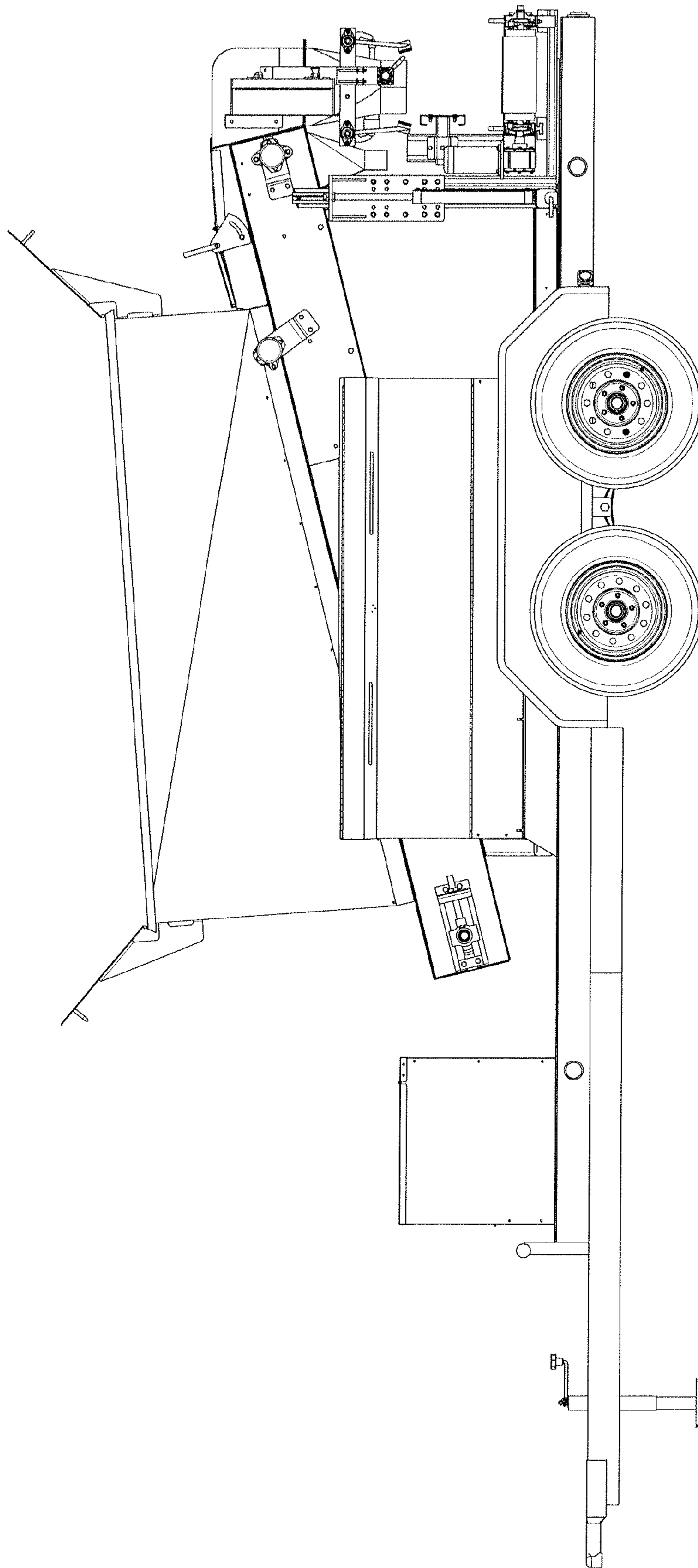
*Fig. 3.*



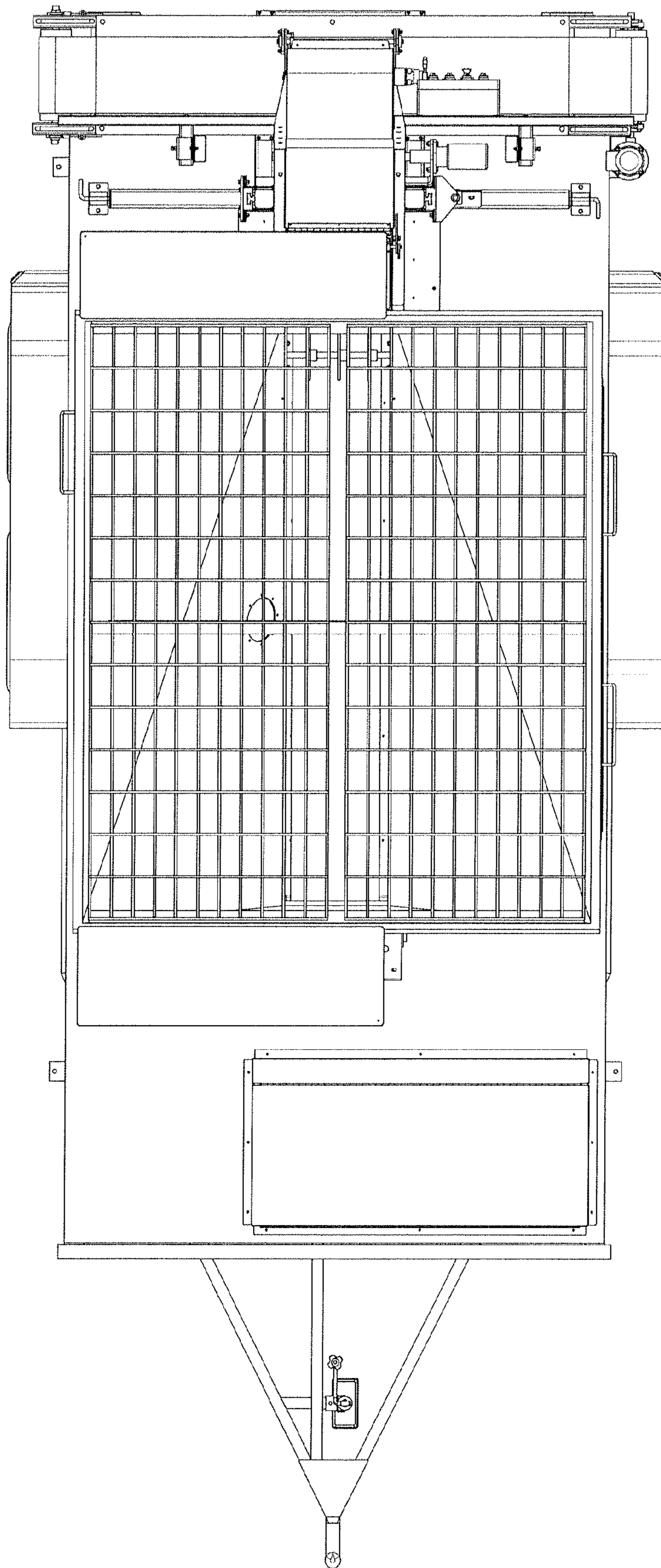
*Fig. 4.*



*Fig. 5.*

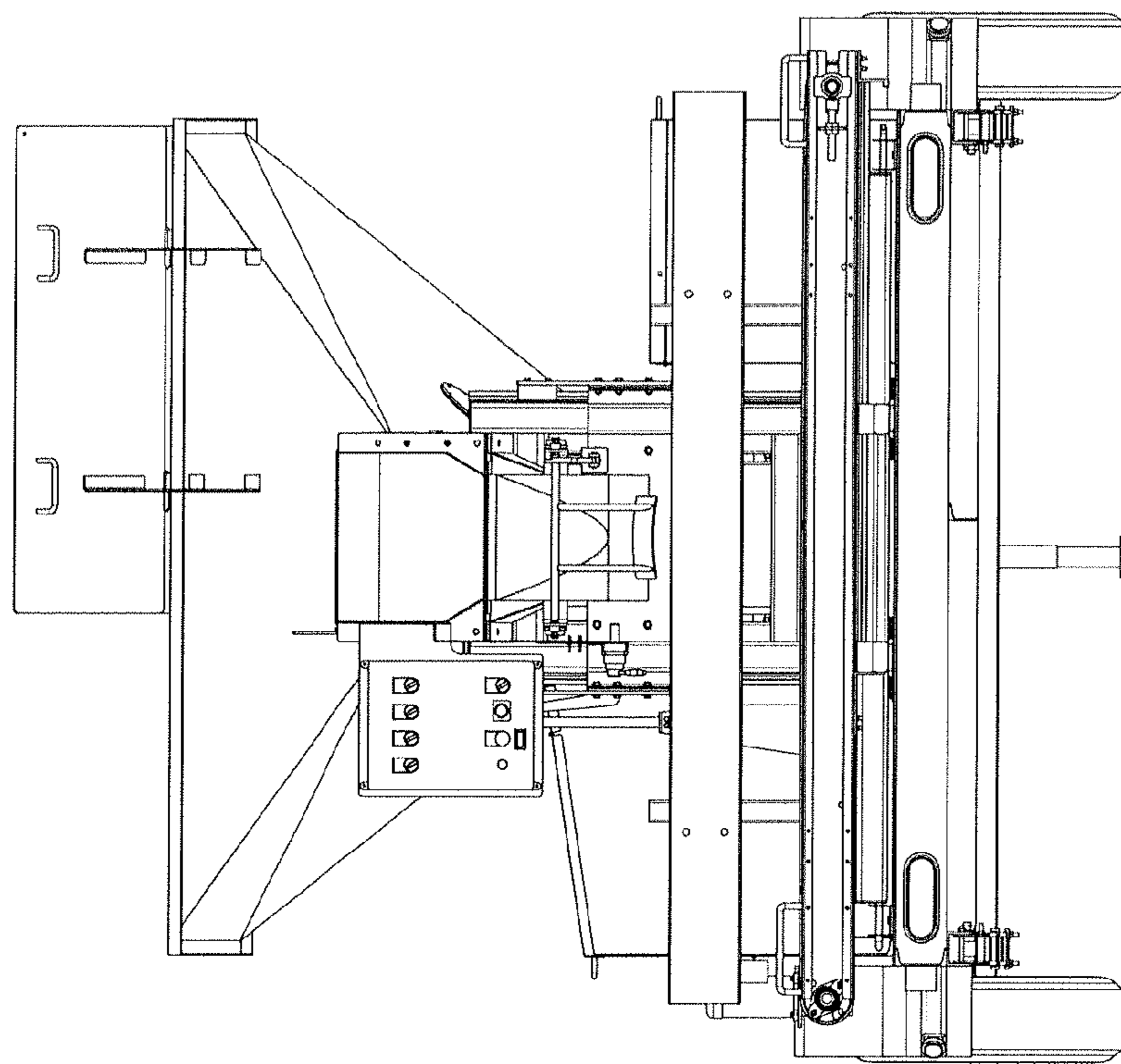


*Fig. 6.*

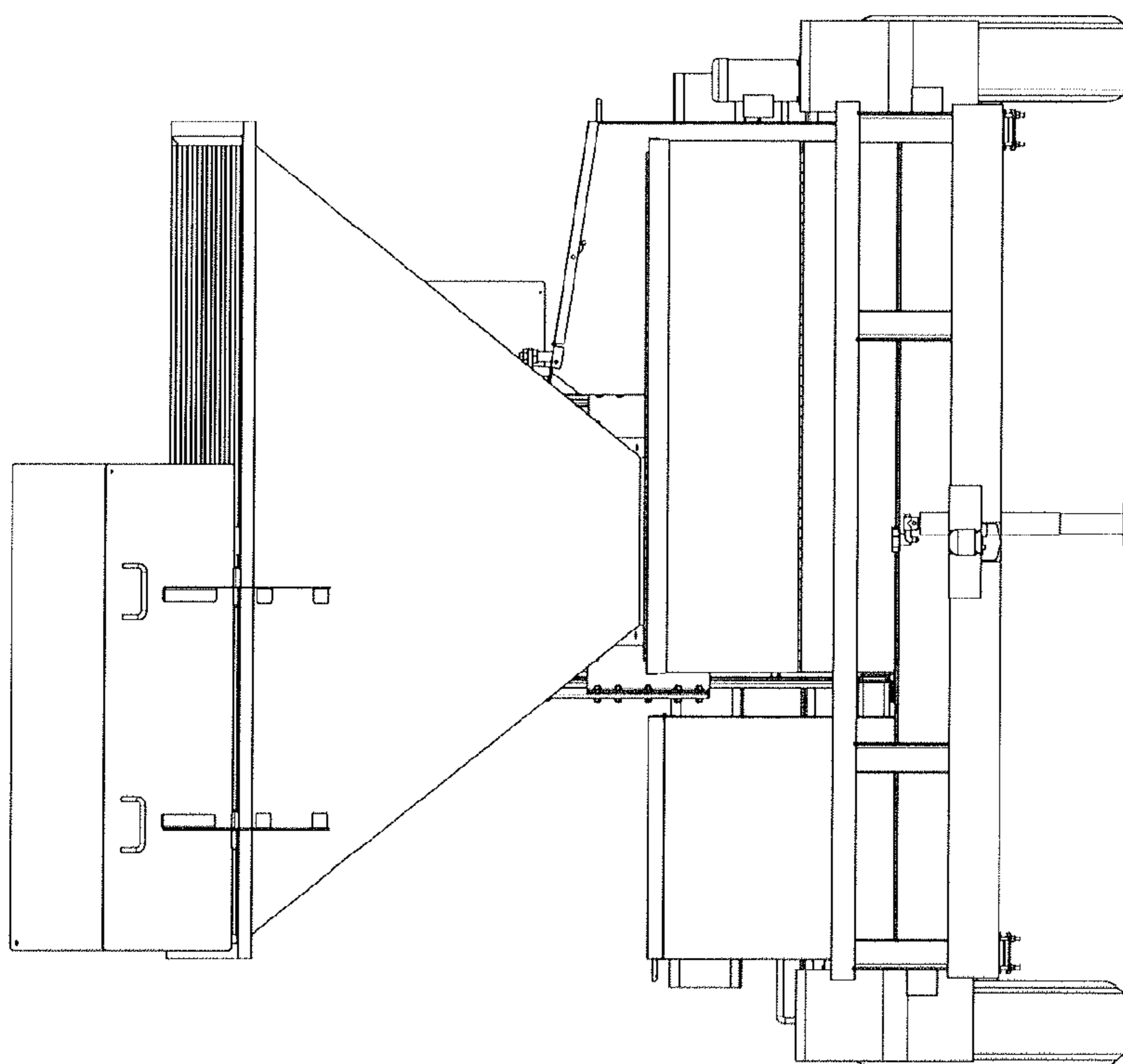


*Fig. 7.*





*Fig. 9.*



*Fig. 8.*