



US00D647538S

(12) **United States Design Patent**
Wilhelm

(10) **Patent No.:** **US D647,538 S**
(45) **Date of Patent:** **** Oct. 25, 2011**

- (54) **DISC OF ROTARY MOWER**
- (75) Inventor: **Joël Wilhelm**, Saint-Louis (FR)
- (73) Assignee: **Kuhn S.A.**, Saverne (FR)
- (**) Term: **14 Years**
- (21) Appl. No.: **29/379,291**
- (22) Filed: **Nov. 17, 2010**

D449,623	S	10/2001	Neuerburg	
6,305,153	B1 *	10/2001	Neuerburg	56/13.6
D450,065	S	11/2001	Neuerburg	
6,311,463	B1 *	11/2001	Mellin et al.	56/6
6,393,811	B2 *	5/2002	Neuerburg	56/6
2005/0138913	A1 *	6/2005	Thompson et al.	56/295
2005/0193706	A1 *	9/2005	Thompson et al.	56/255
2010/0101201	A1 *	4/2010	Yanke	56/295
2010/0205925	A1 *	8/2010	Thompson et al.	56/255

- (30) **Foreign Application Priority Data**
 - May 17, 2010 (FR) 2010 2572
 - (51) **LOC (9) Cl.** **15-03**
 - (52) **U.S. Cl.** **D15/17**
 - (58) **Field of Classification Search** D15/17;
30/276, 347; 56/255, 289, 295, 17.5, 503,
56/3, 13.6, DIG. 17, DIG. 20
- See application file for complete search history.

OTHER PUBLICATIONS

U.S. Appl. No. 29/379,299, filed Nov. 17, 2010, Wilhelm.

* cited by examiner

Primary Examiner — Mark Goodwin
(74) *Attorney, Agent, or Firm* — Oblon, Spivak,
McClelland, Maier & Neustadt, L.L.P.

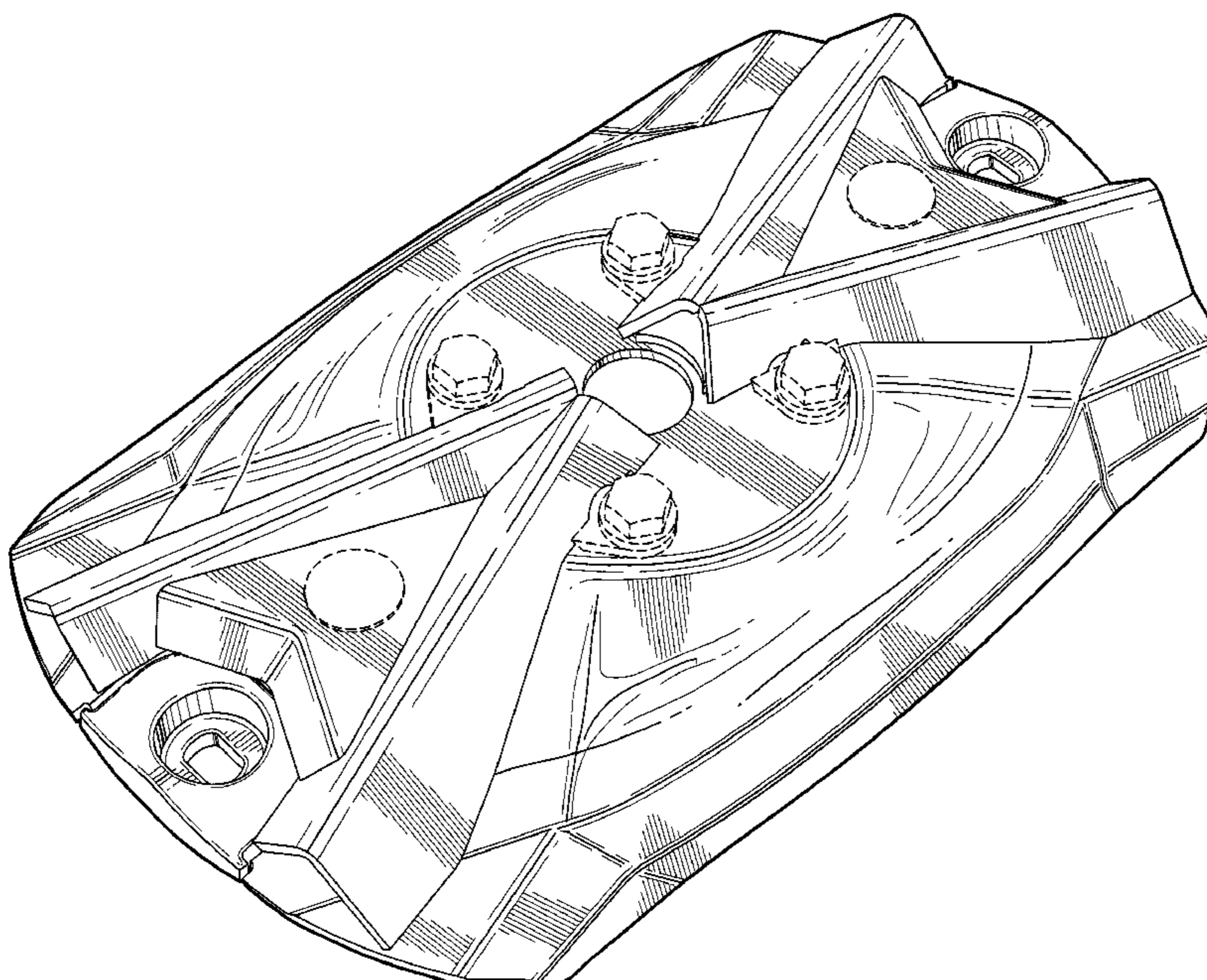
(57) **CLAIM**
The ornamental design for a disc of rotary mower, as shown and described.

DESCRIPTION

- (56) **References Cited**
- U.S. PATENT DOCUMENTS**
- 3,320,732 A * 5/1967 Kirk 56/295
- D254,008 S * 1/1980 Jackson D15/17
- D274,815 S * 7/1984 Ehrler et al. D15/17
- 4,531,349 A * 7/1985 Ehrhart et al. 56/13.6
- D370,489 S * 6/1996 Taggett et al. D15/17
- 5,842,330 A * 12/1998 Richardson et al. 56/6
- 5,845,468 A * 12/1998 Richardson et al. 56/6
- D448,779 S 10/2001 Neuerburg
- D449,053 S 10/2001 Neuerburg
- D449,312 S 10/2001 Neuerburg
- D449,313 S 10/2001 Neuerburg
- D449,314 S 10/2001 Neuerburg

FIG. 1 is a front, top, and right side perspective view of a disc of rotary mower, showing my new design;
FIG. 2 is a rear, bottom, and left side perspective view thereof;
FIG. 3 is a front elevational view thereof, the rear elevational view being a mirror image of the front elevational view shown; and,
FIG. 4 is a right side elevational view thereof, the left side elevational view being a mirror image of the right side elevational view shown.
The broken lines in the drawings depict environmental subject matter only and form no part of the claimed design.

1 Claim, 4 Drawing Sheets



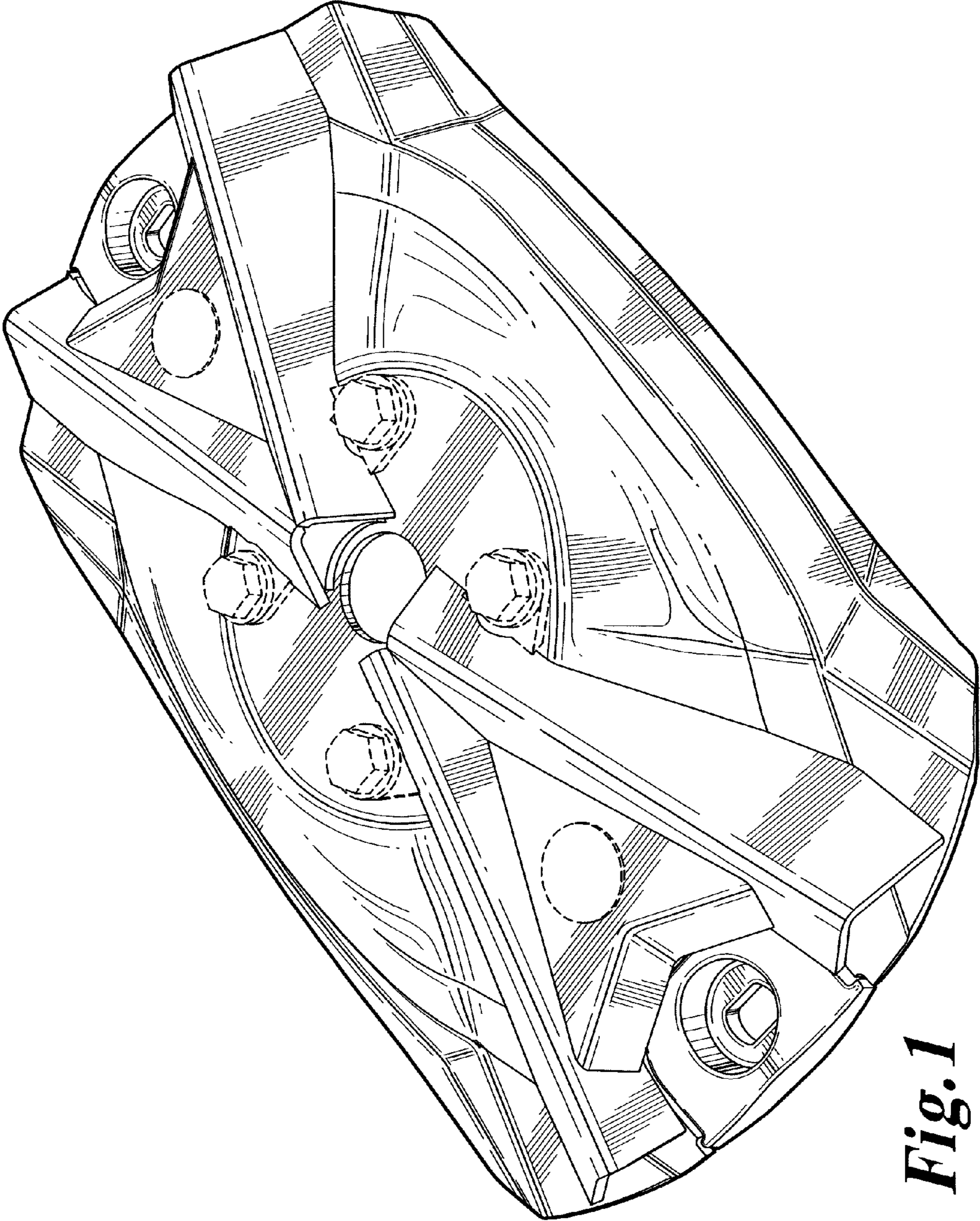


Fig. 1

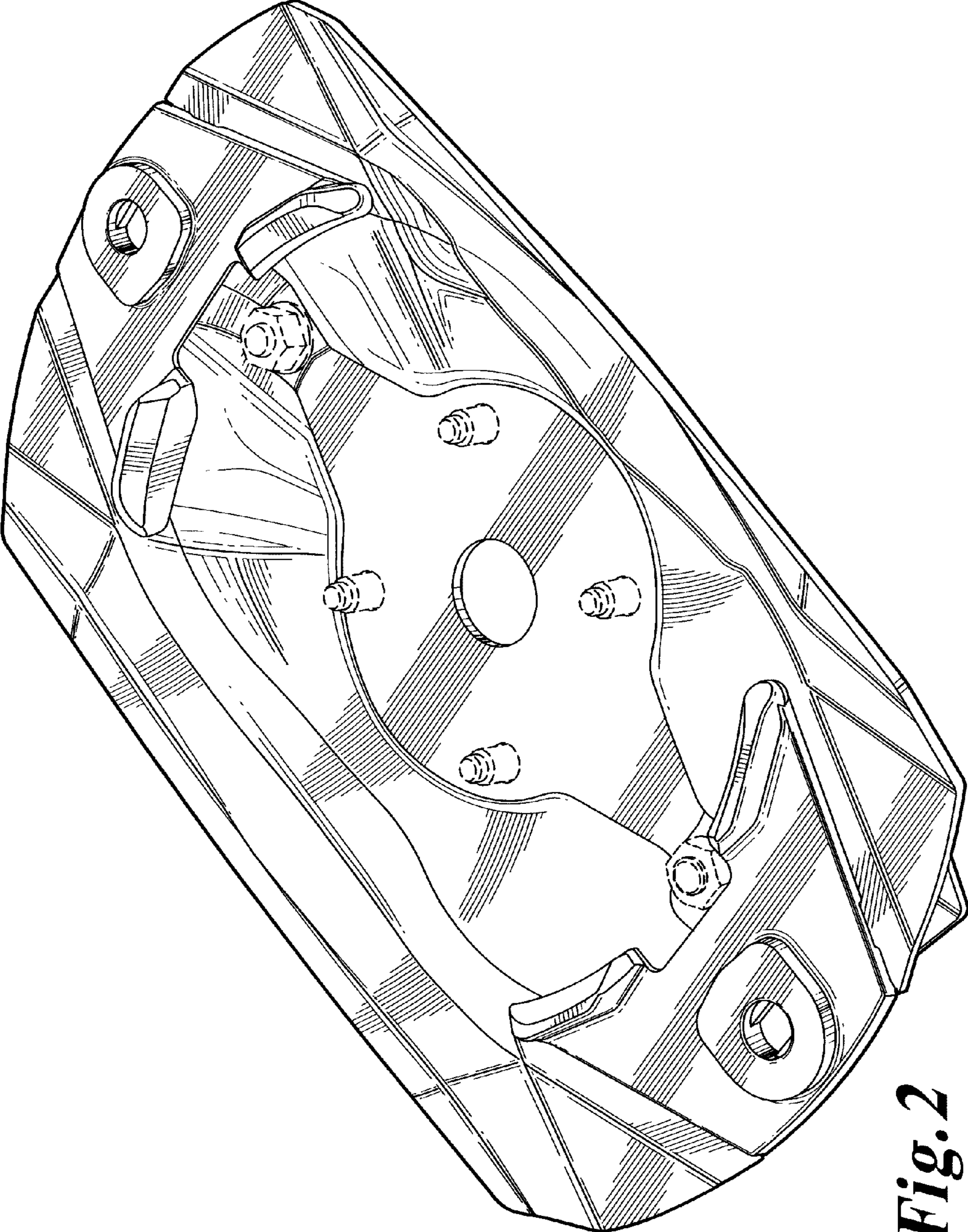


Fig. 2

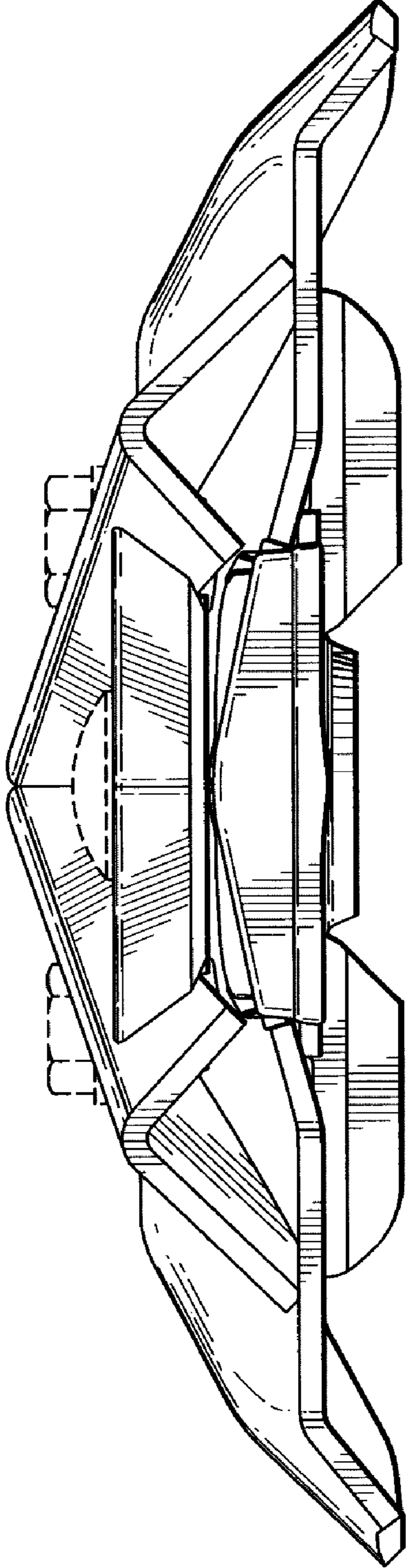


Fig. 3

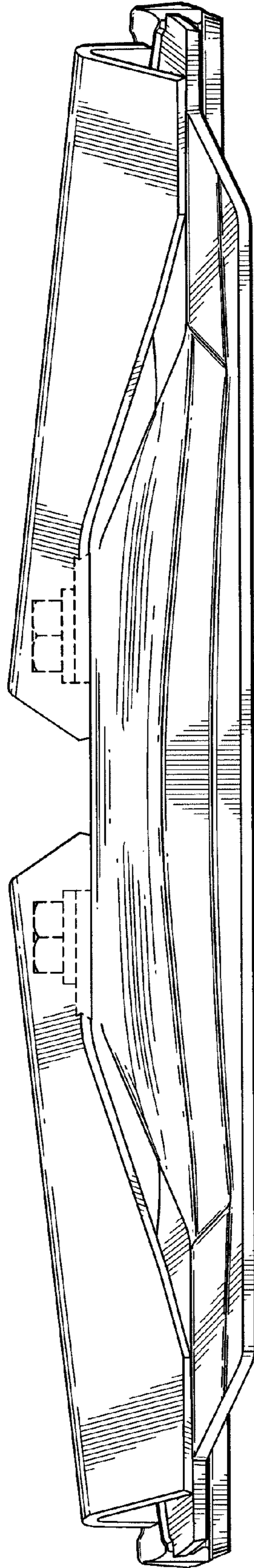


Fig. 4