

US00D647536S

(12) **United States Design Patent**  
**Tiefenthaler**

(10) **Patent No.:** **US D647,536 S**

(45) **Date of Patent:** **\*\* Oct. 25, 2011**

(54) **COVER FOR AN ENGINE**

(75) Inventor: **Carl T. Tiefenthaler**, Jackson, WI (US)

(73) Assignee: **Briggs & Stratton Corporation**,  
Wauwatosa, WI (US)

(\*\*) Term: **14 Years**

(21) Appl. No.: **29/387,394**

(22) Filed: **Mar. 11, 2011**

(51) **LOC (9) Cl.** ..... **15-01**

(52) **U.S. Cl.** ..... **D15/5**

(58) **Field of Classification Search** ..... D15/1,  
D15/2, 3, 5, 6, 14, 17, 149; 123/22, 41, 51 A,  
123/34, 606 R, 52.1, 50 A, 50 B, 54.1, 54.2,  
123/54.4, 54.5, 65 R, 195 R, 195 HC, 657,  
123/311

See application file for complete search history.

(56) **References Cited**

**U.S. PATENT DOCUMENTS**

D471,207 S *	3/2003	Kern et al. ....	D15/5
D513,012 S *	12/2005	Strandell et al. ....	D15/5
D513,754 S *	1/2006	Strandell et al. ....	D15/5
D525,991 S *	8/2006	Walters ..... ..	D15/5
D548,750 S *	8/2007	Neeley et al. ....	D15/5
D553,645 S *	10/2007	Drew et al. .... ..	D15/5
D572,271 S *	7/2008	Maeda ..... ..	D15/1
D576,178 S *	9/2008	Neeley ..... ..	D15/1
D583,831 S *	12/2008	Post et al. .... ..	D15/5
D594,476 S *	6/2009	Mayer et al. .... ..	D15/5
D594,878 S *	6/2009	Post et al. .... ..	D15/5
D598,471 S *	8/2009	Wang et al. .... ..	D15/1
D628,596 S *	12/2010	Azuma ..... ..	D15/1

**OTHER PUBLICATIONS**

Professional Series 875 and 700 Series DOV engines, downloaded from website [www.briggsandstratton.com/engines/push-mower](http://www.briggsandstratton.com/engines/push-mower) on Jun. 14, 2011, 4 pages.

Briggs & Stratton 700 Series DOV engine, downloaded from website [www.usinenouvelle.com/industry/briggs-et-stratton-635/briggs-stratton-series-dov-p57879.html](http://www.usinenouvelle.com/industry/briggs-et-stratton-635/briggs-stratton-series-dov-p57879.html) on Jun. 14, 2011, 3 pages.

\* cited by examiner

*Primary Examiner* — T. Chase Nelson

*Assistant Examiner* — Ania Dworzecka

(74) *Attorney, Agent, or Firm* — Foley & Lardner LLP

(57) **CLAIM**

I claim the ornamental design for a cover for an engine, as shown and described.

**DESCRIPTION**

FIG. 1 is a front perspective view from above of the claimed design;

FIG. 2 is a rear perspective view from above of the claimed design of FIG. 1;

FIG. 3 is a top view of the claimed design of FIG. 1;

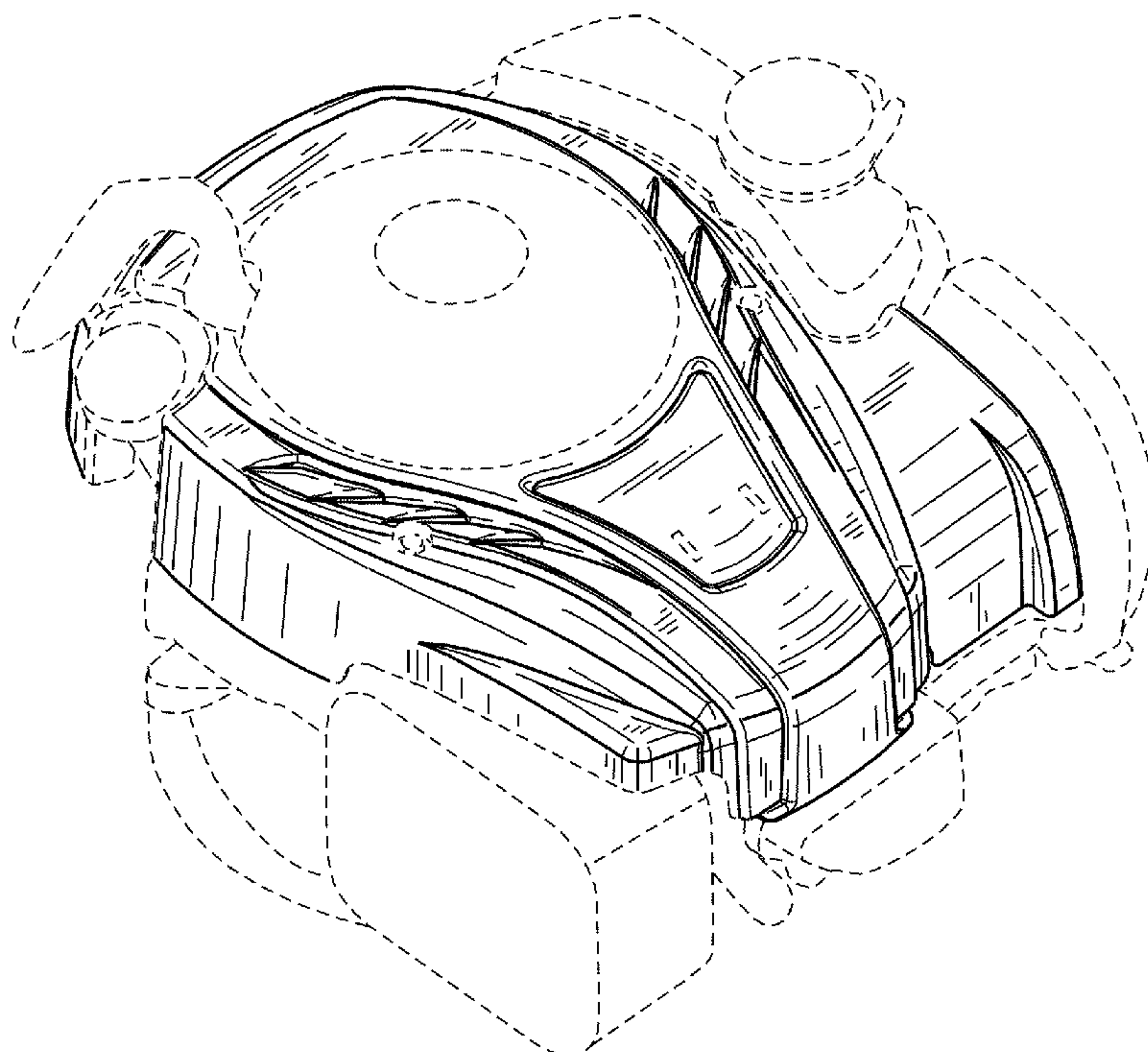
FIG. 4 is a front view of the claimed design of FIG. 1;

FIG. 5 is a left side view of the claimed design of FIG. 1;

FIG. 6 is a right side view of the claimed design of FIG. 1; and, FIG. 7 is a rear view of the claimed design of FIG. 1.

The broken lines in the drawings are for illustrative purposes only, and depict environmental structure that forms no part of the claimed design.

**1 Claim, 7 Drawing Sheets**



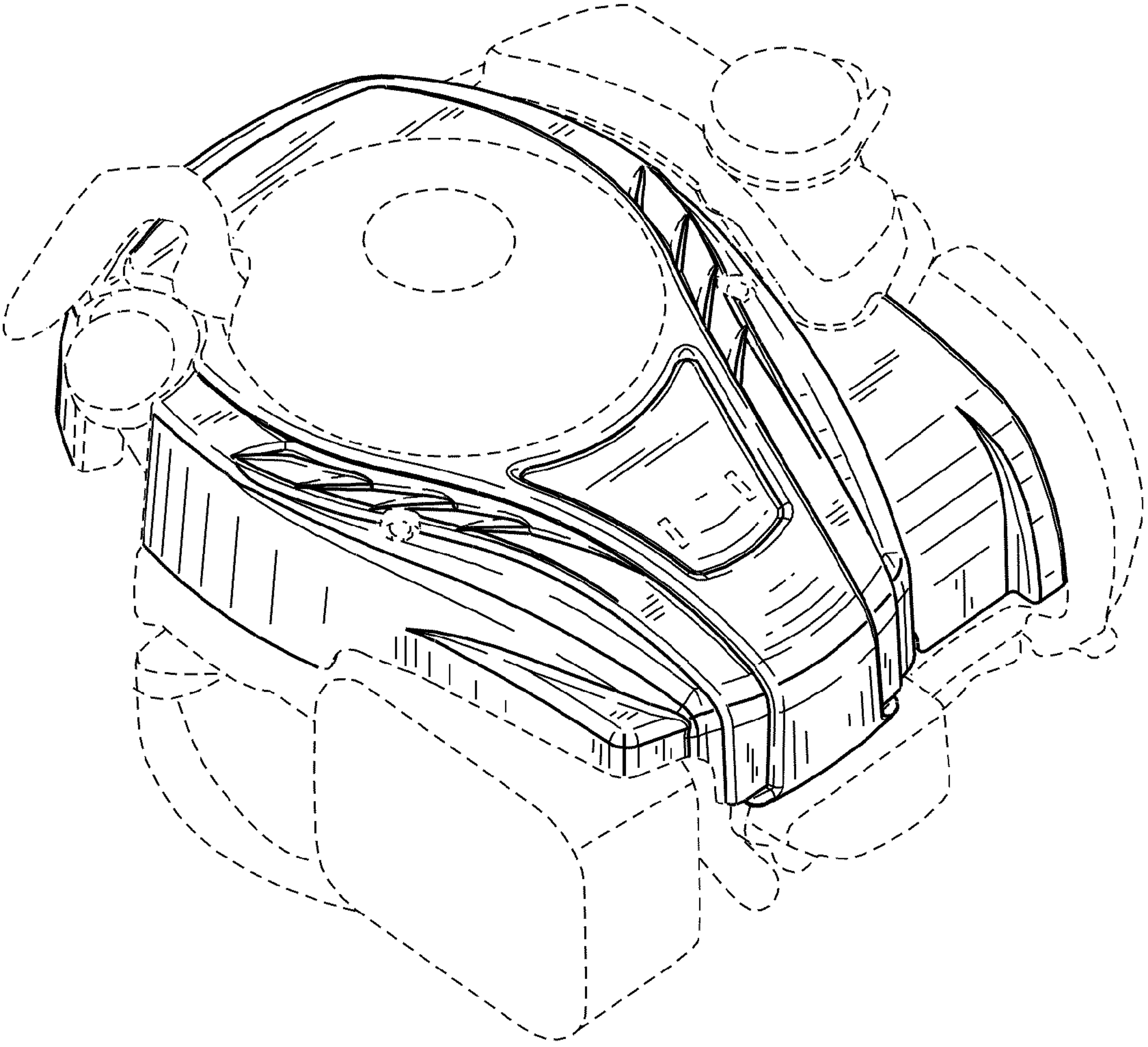


FIG. 1

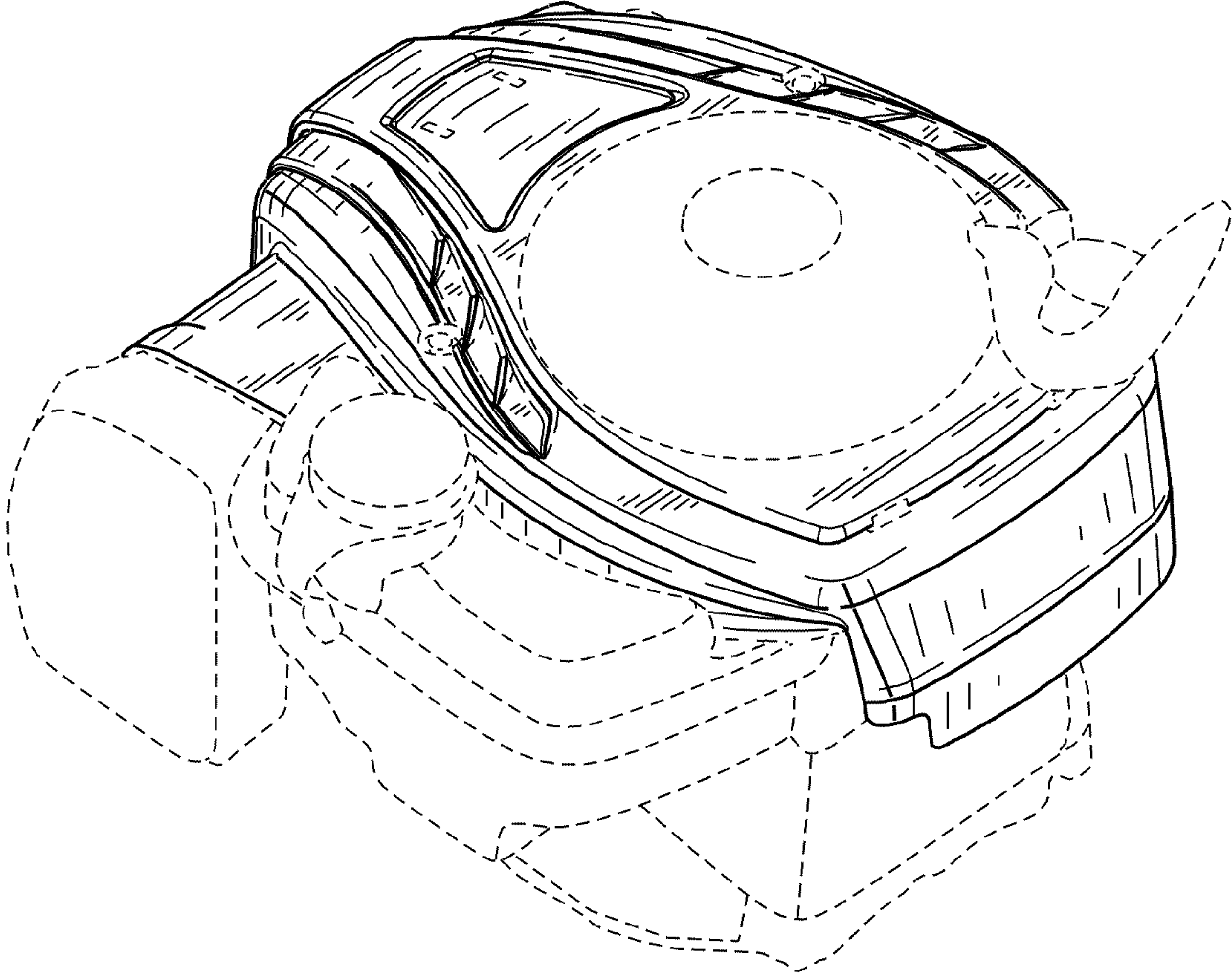


FIG. 2



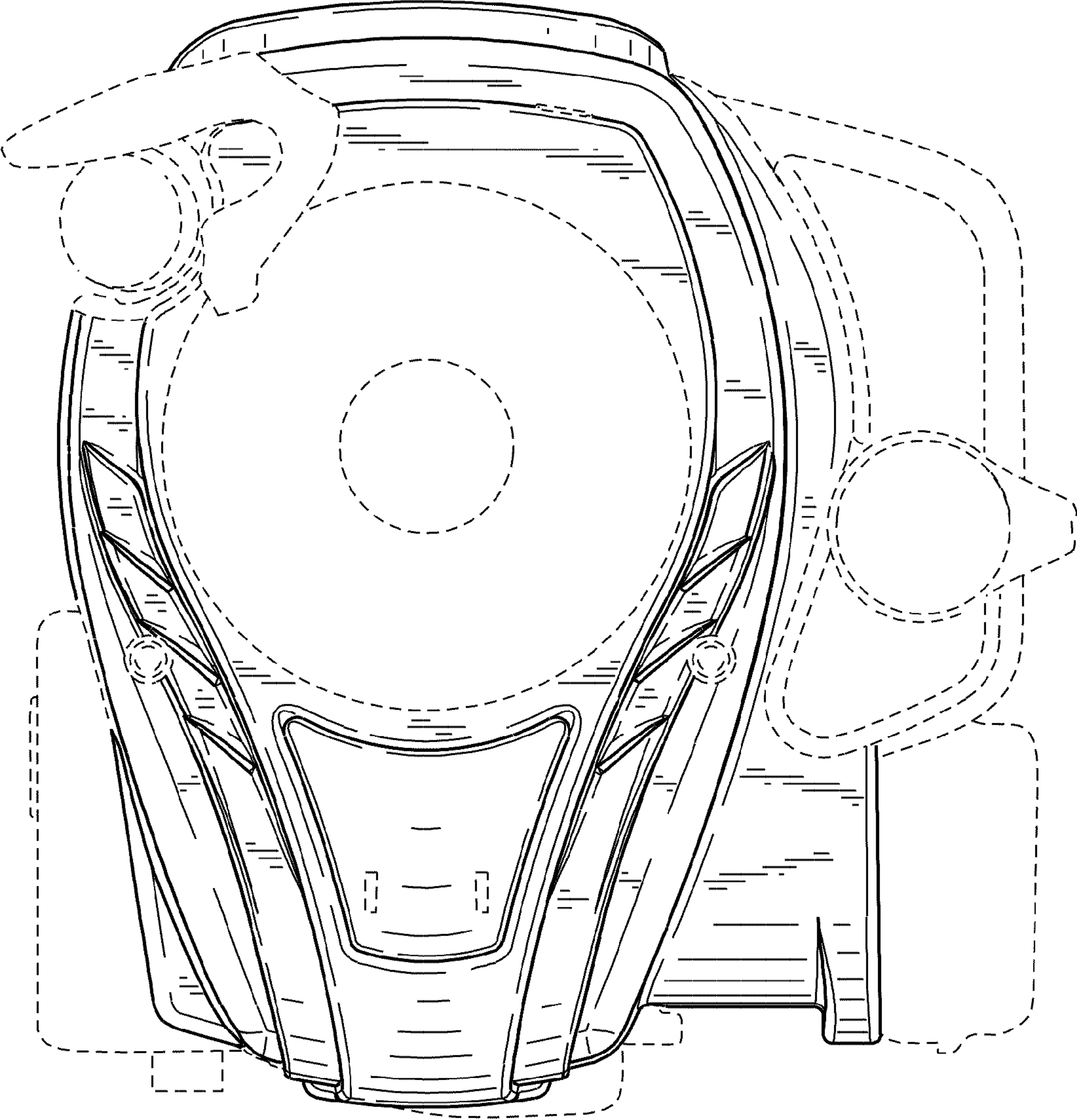


FIG. 3

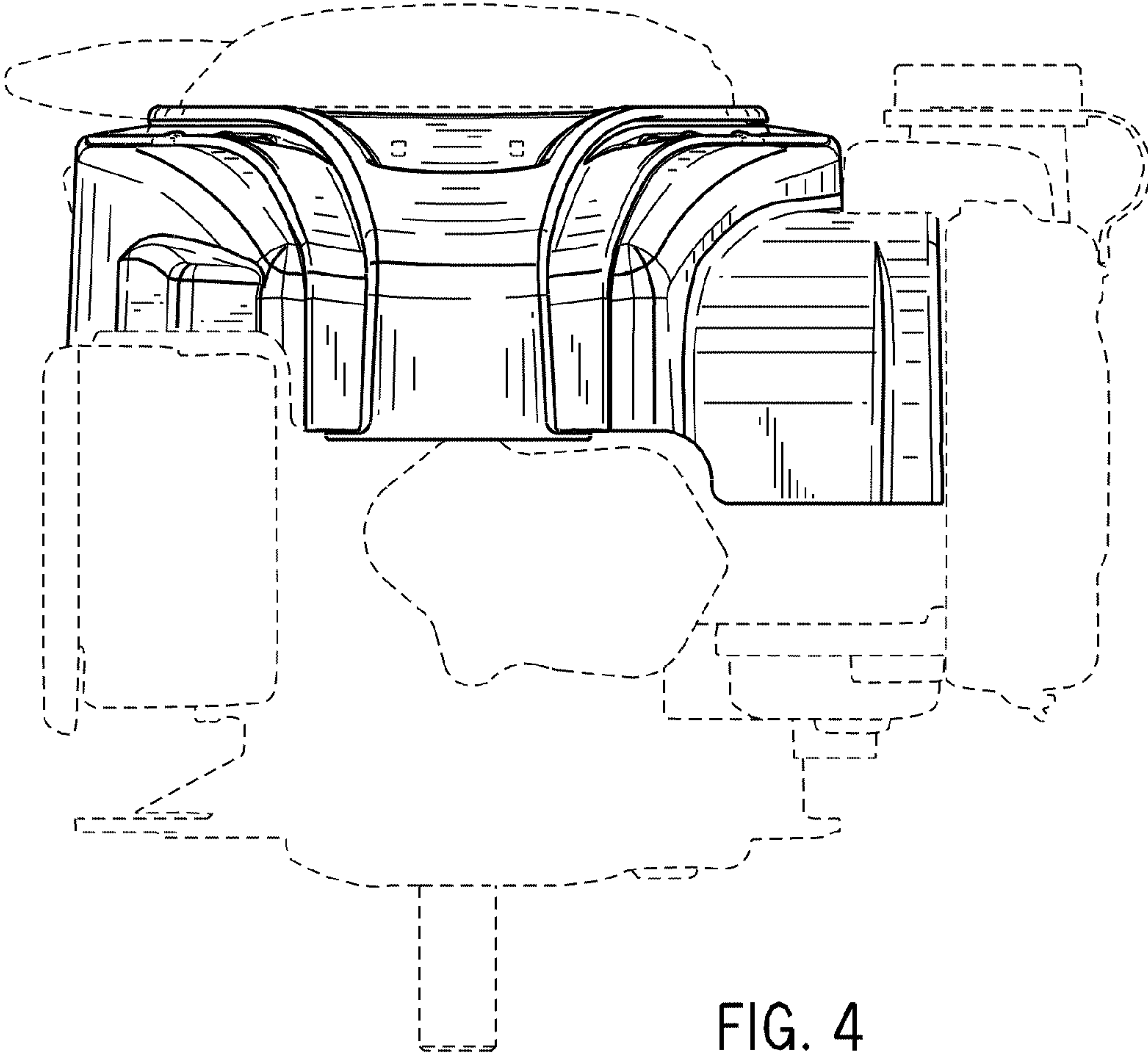


FIG. 4

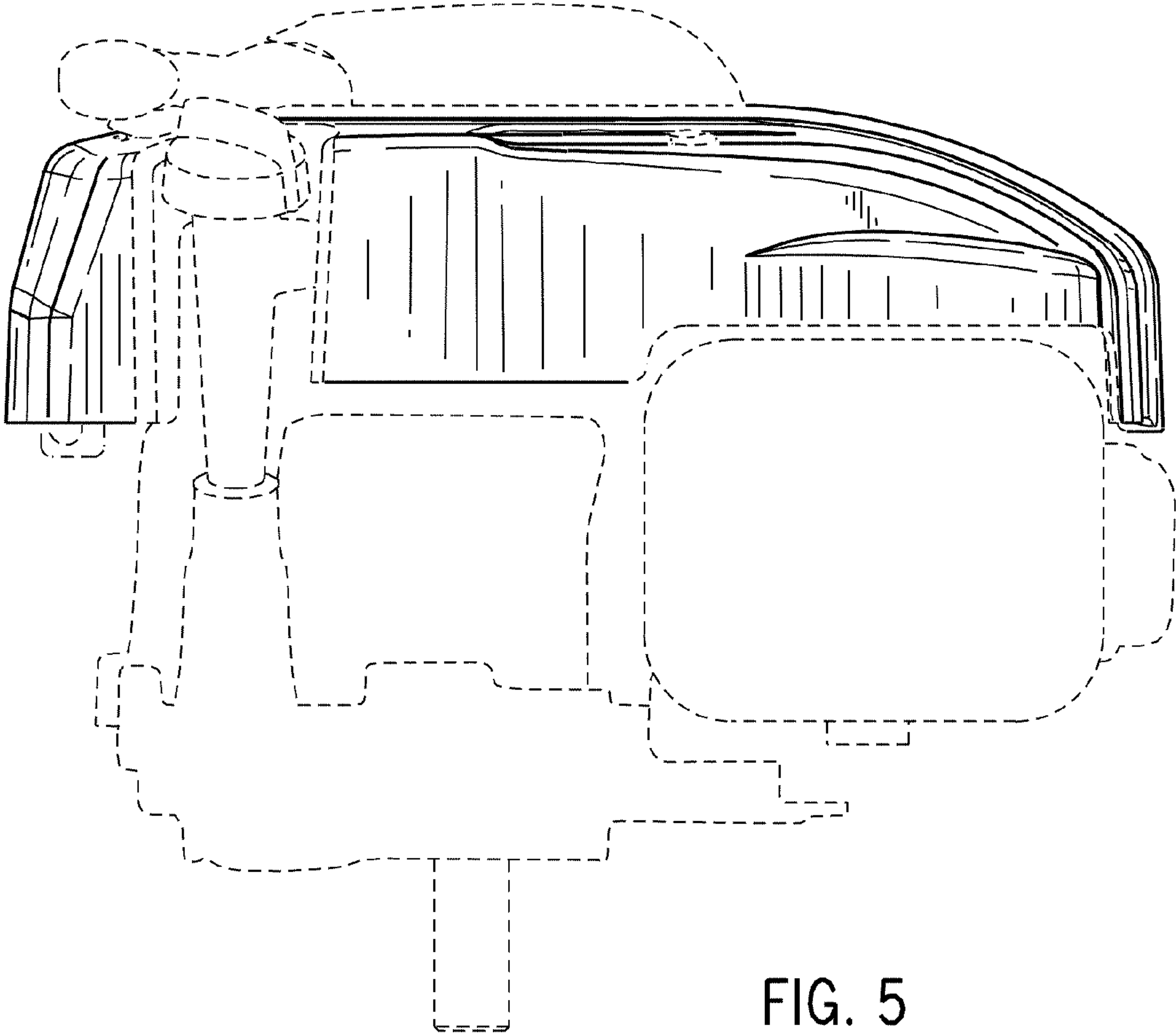


FIG. 5

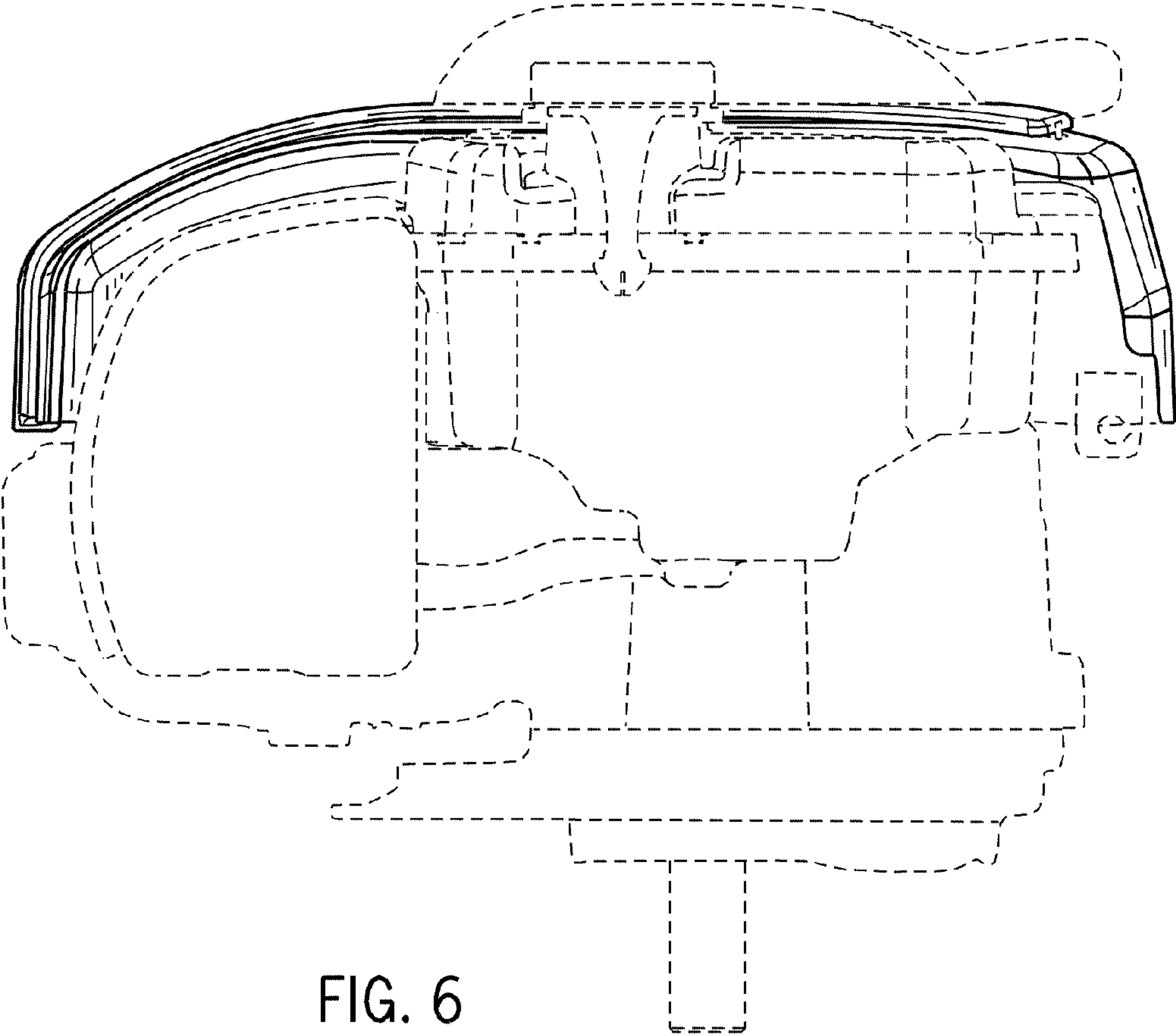


FIG. 6

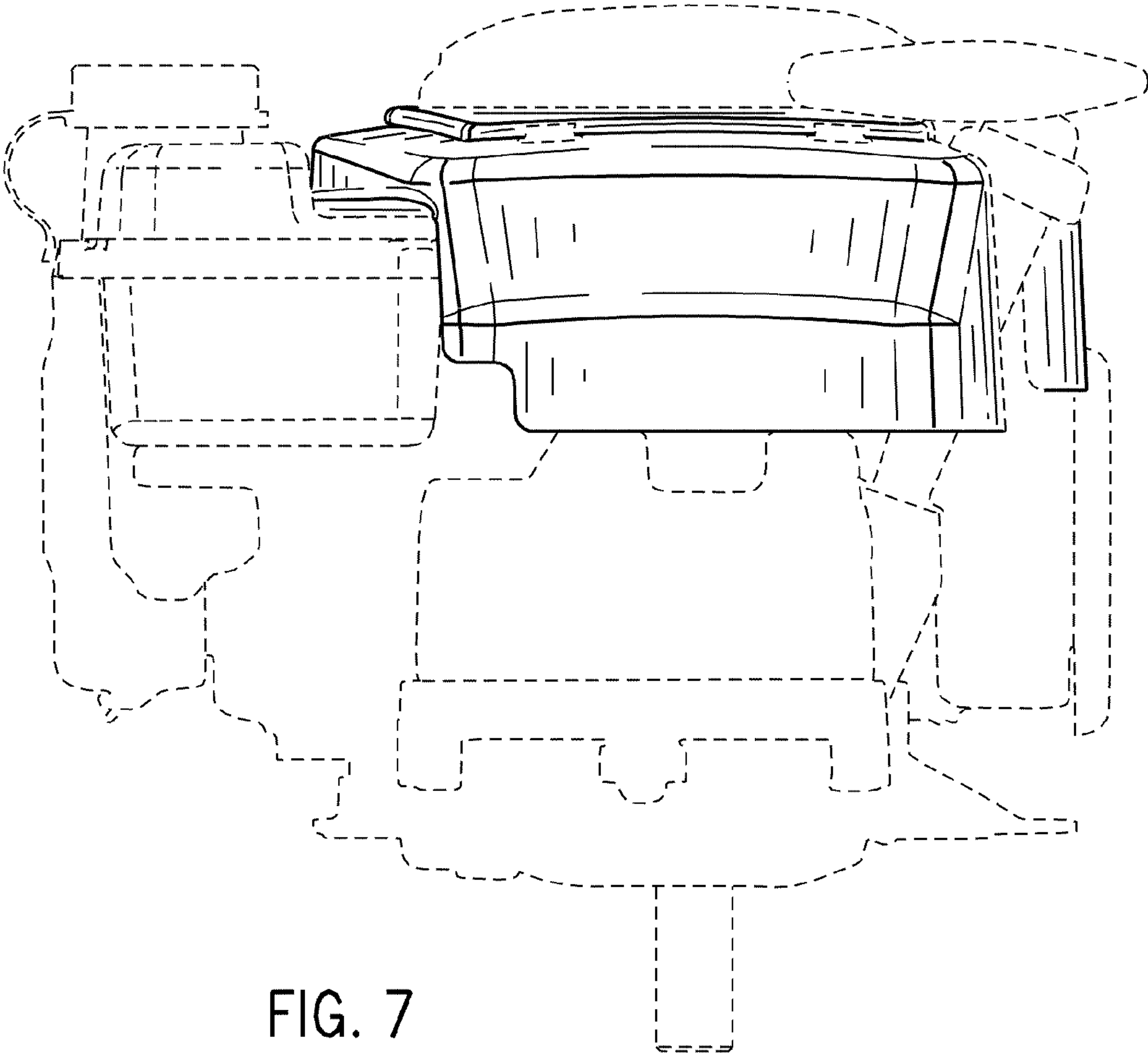


FIG. 7