



US00D647535S

(12) **United States Design Patent**
Kajiya

(10) **Patent No.:** **US D647,535 S**

(45) **Date of Patent:** **** Oct. 25, 2011**

(54) **FLANGE**

(75) **Inventor:** **Plinio Gunji Kajiya**, Sao Bernardo do Campo (BR)

(73) **Assignee:** **ZF DO Brasil Ltda.** (BR)

(**) **Term:** **14 Years**

(21) **Appl. No.:** **29/379,027**

(22) **Filed:** **Nov. 12, 2010**

(30) **Foreign Application Priority Data**

May 13, 2010 (BR) DI7001893-6

(51) **LOC (9) Cl.** **15-01**

(52) **U.S. Cl.** **D15/5**

(58) **Field of Classification Search** D15/1,
D15/2, 3, 5, 6, 14, 17, 149; 123/22, 41.34,
123/51 A, 606 R, 52.1, 50 A, 50 B, 54.1,
123/54.2, 54.4, 54.5, 65 R, 195 R, 195 HC,
123/657, 311

See application file for complete search history.

(56) **References Cited**

U.S. PATENT DOCUMENTS

D377,657 S * 1/1997 Winters, Sr. D15/149
D608,372 S * 1/2010 Brace et al. D15/5

D608,795 S * 1/2010 Brace et al. D15/5
D609,195 S * 2/2010 Yamashita et al. D13/162
D626,579 S * 11/2010 Oonuma et al. D16/131
D627,368 S * 11/2010 Yan et al. D15/5

* cited by examiner

Primary Examiner — T. Chase Nelson

Assistant Examiner — Ania Dworzecka

(74) *Attorney, Agent, or Firm* — Alston & Bird LLP

(57) **CLAIM**

I claim the ornamental design for a flange, as shown and described.

DESCRIPTION

FIG. 1 is a first perspective view of a flange showing my new design;

FIG. 2 is a second perspective view thereof;

FIG. 3 is a third perspective view thereof;

FIG. 4 is a fourth perspective view thereof;

FIG. 5 is a left side elevation view thereof;

FIG. 6 is a front elevation view of thereof;

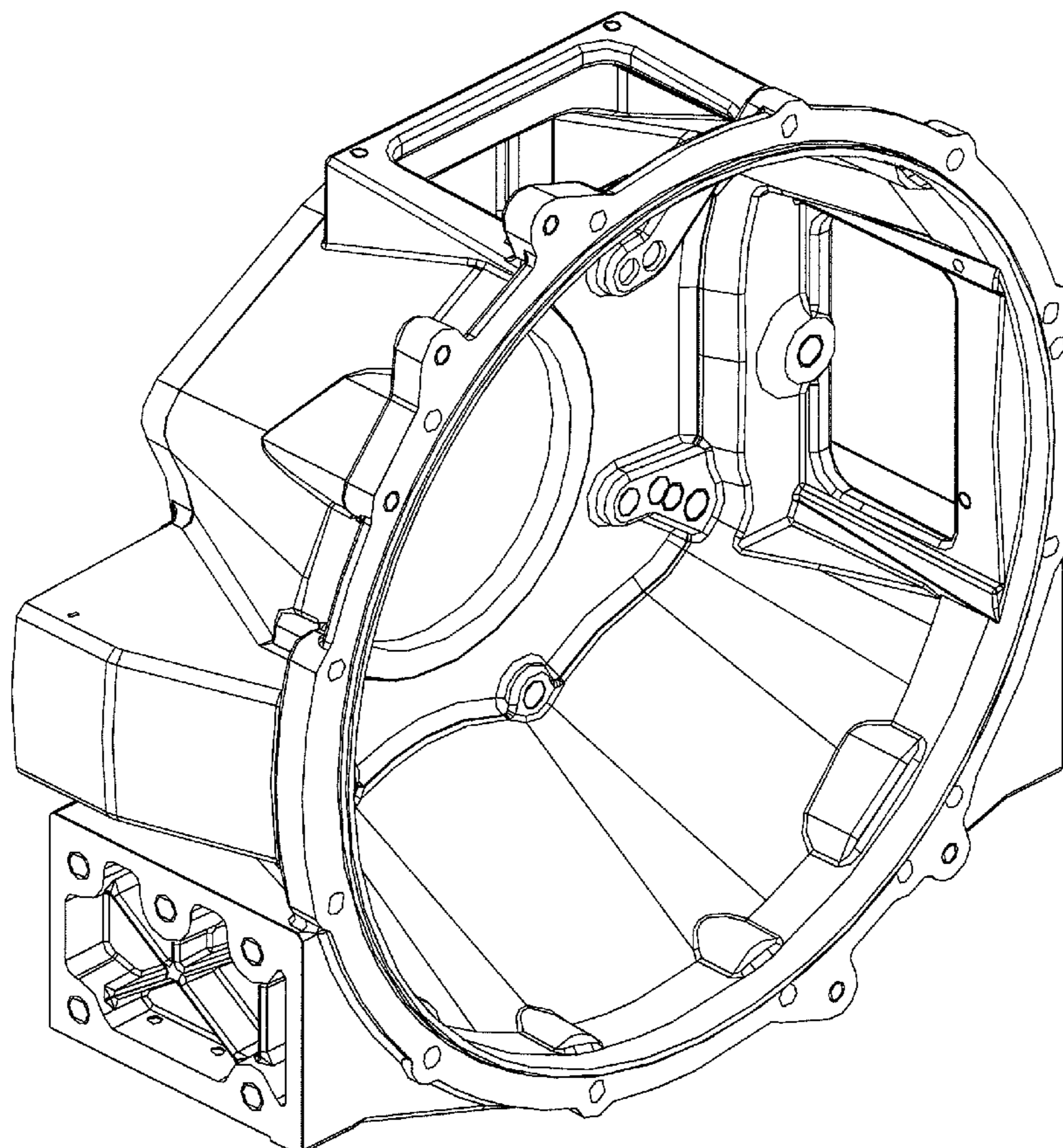
FIG. 7 is a top plan view thereof;

FIG. 8 is a rear elevation view thereof;

FIG. 9 is a right side elevation view thereof; and,

FIG. 10 is a bottom plan view thereof.

1 Claim, 10 Drawing Sheets



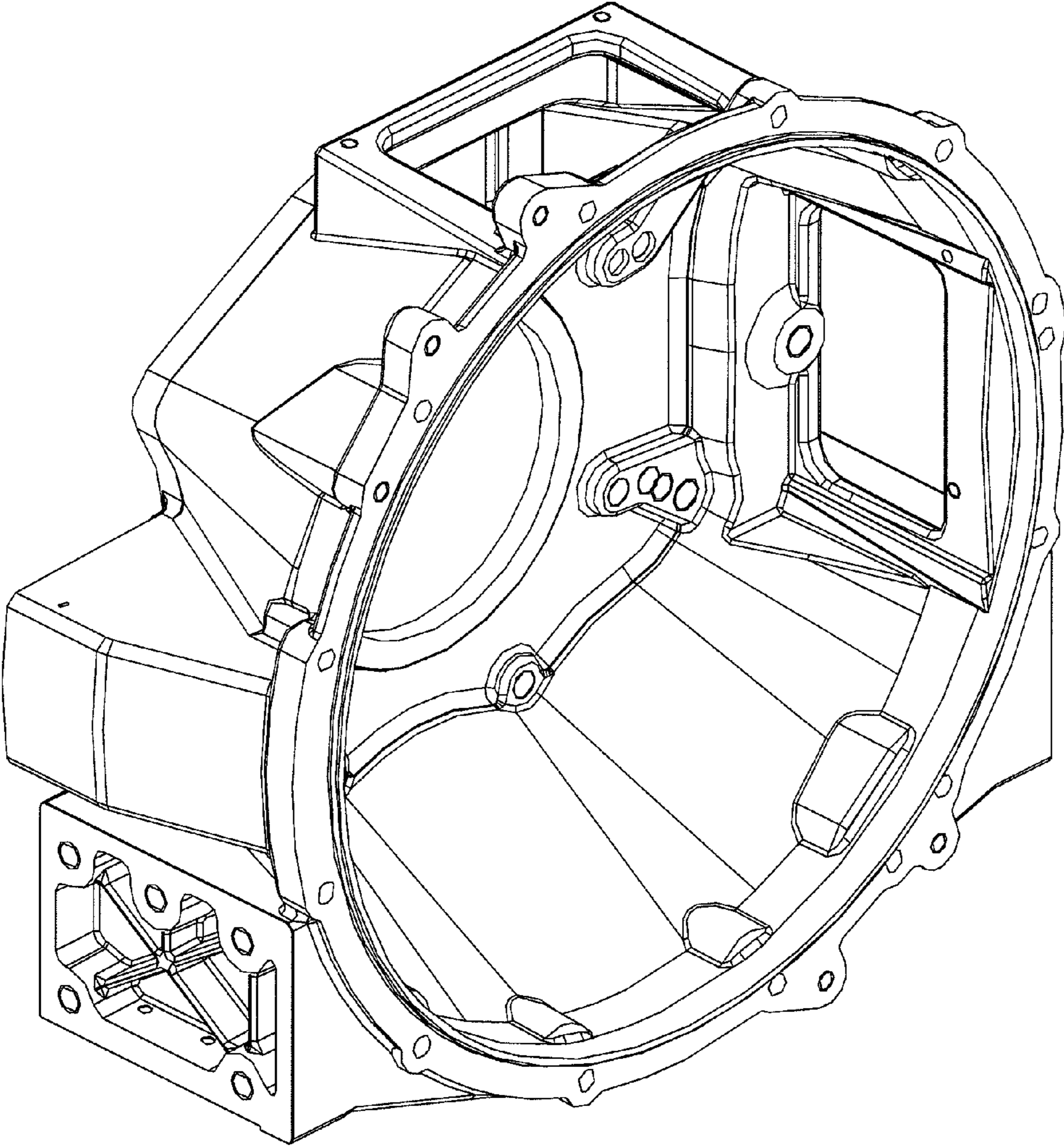


FIG. 1

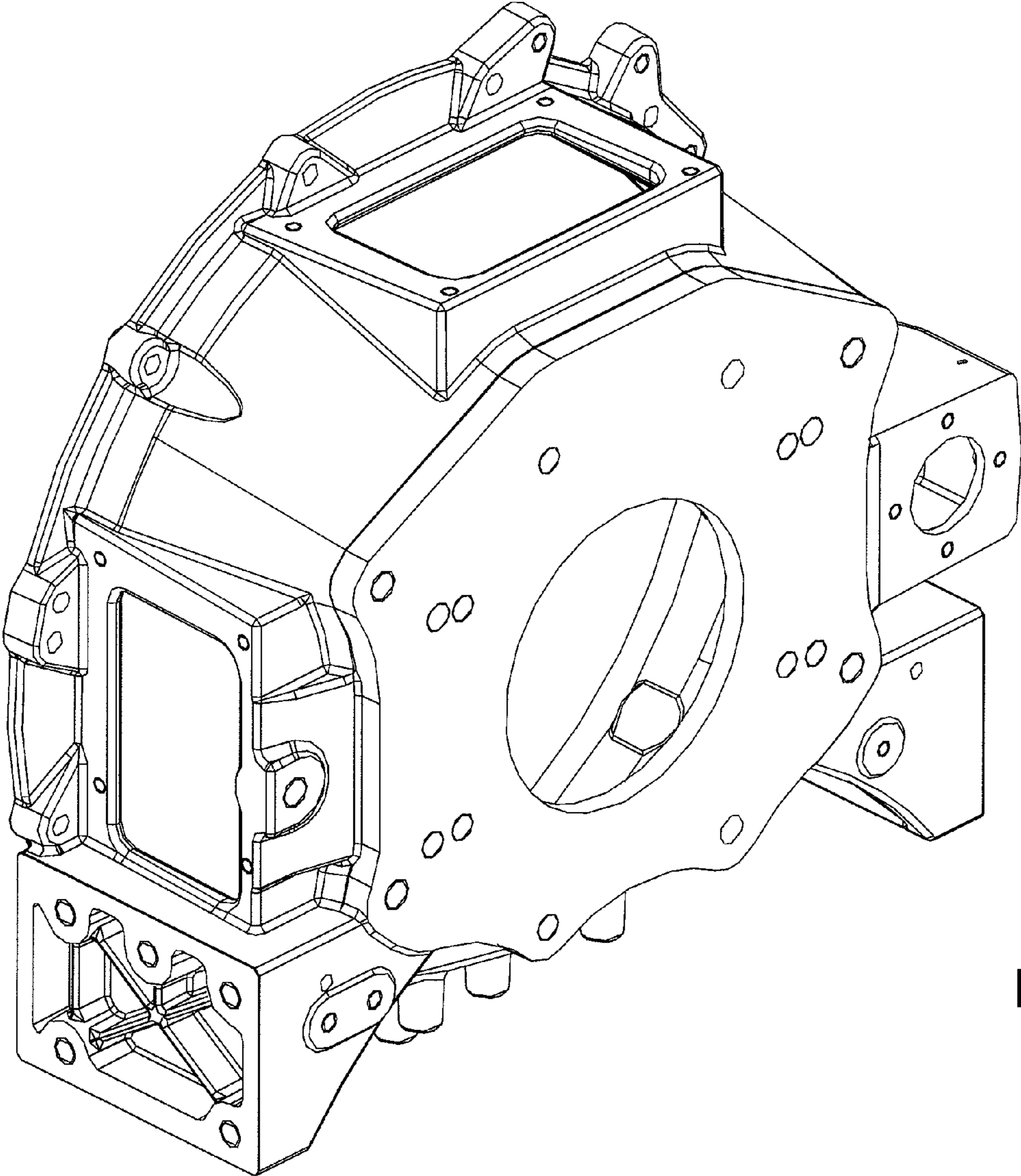


FIG. 2

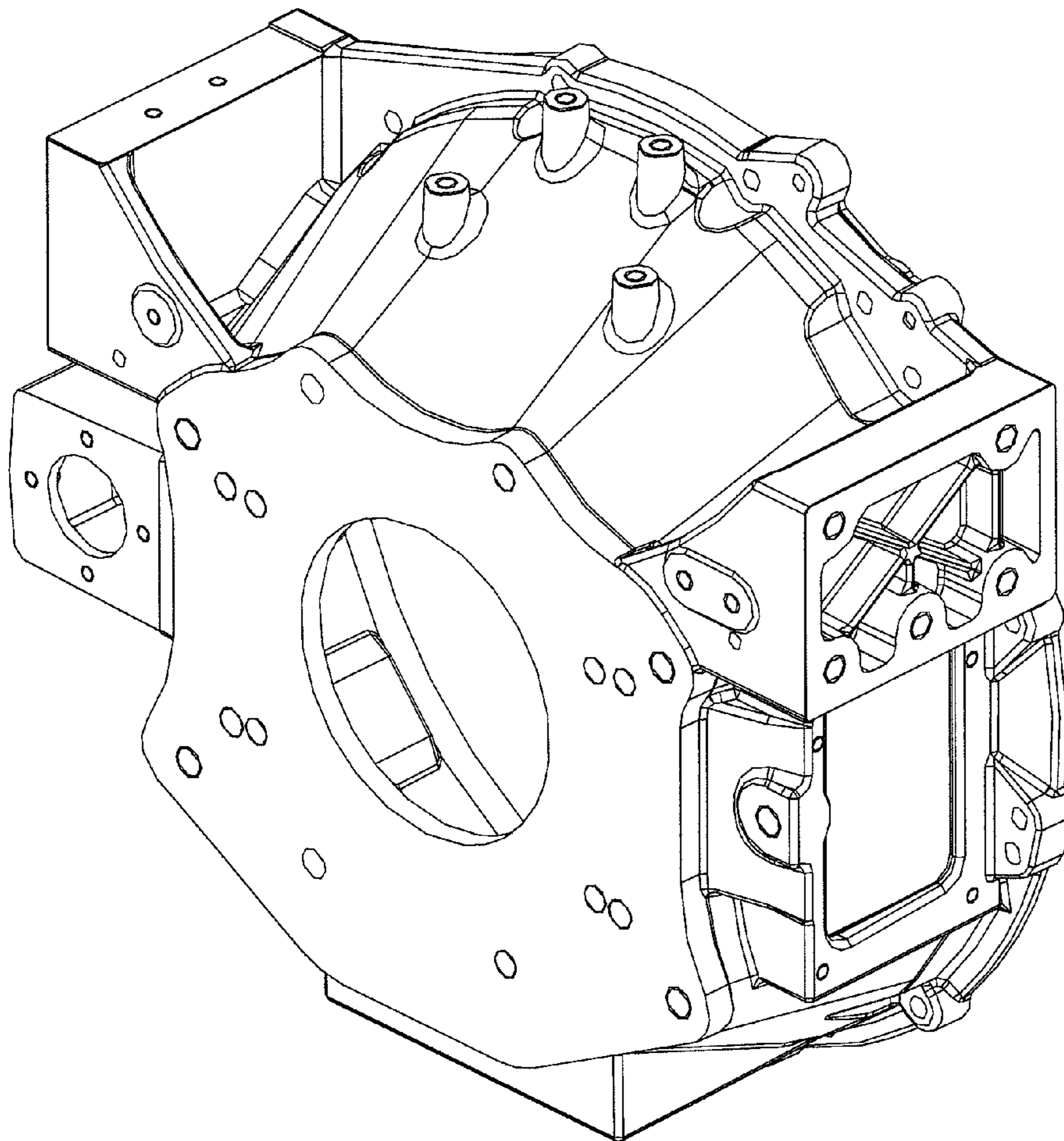


FIG. 3

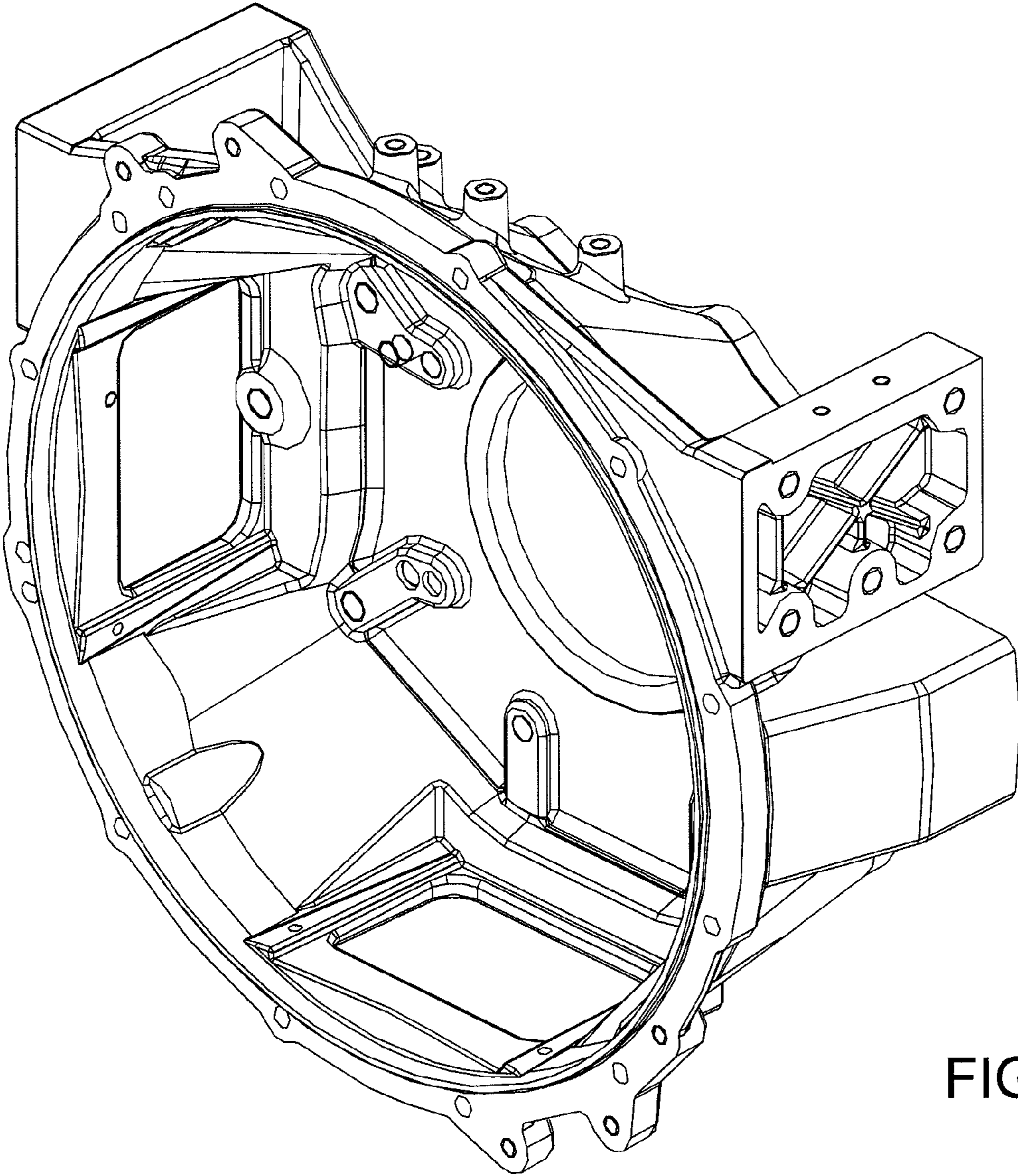


FIG. 4

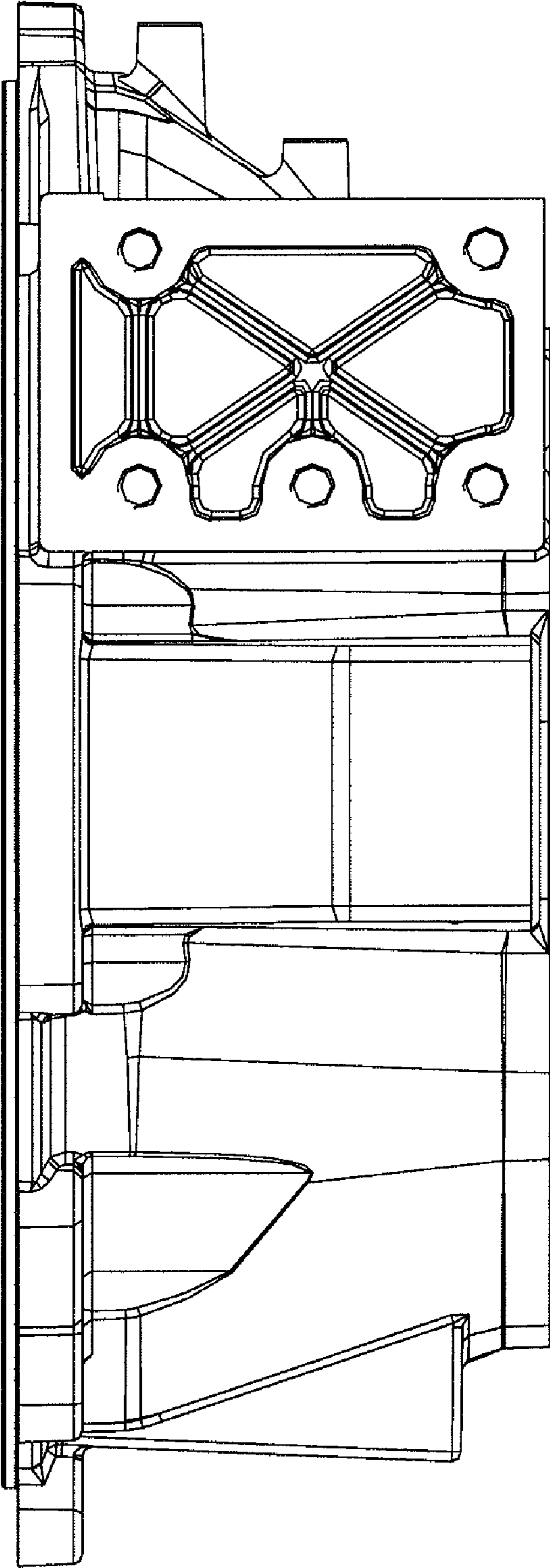


FIG. 5

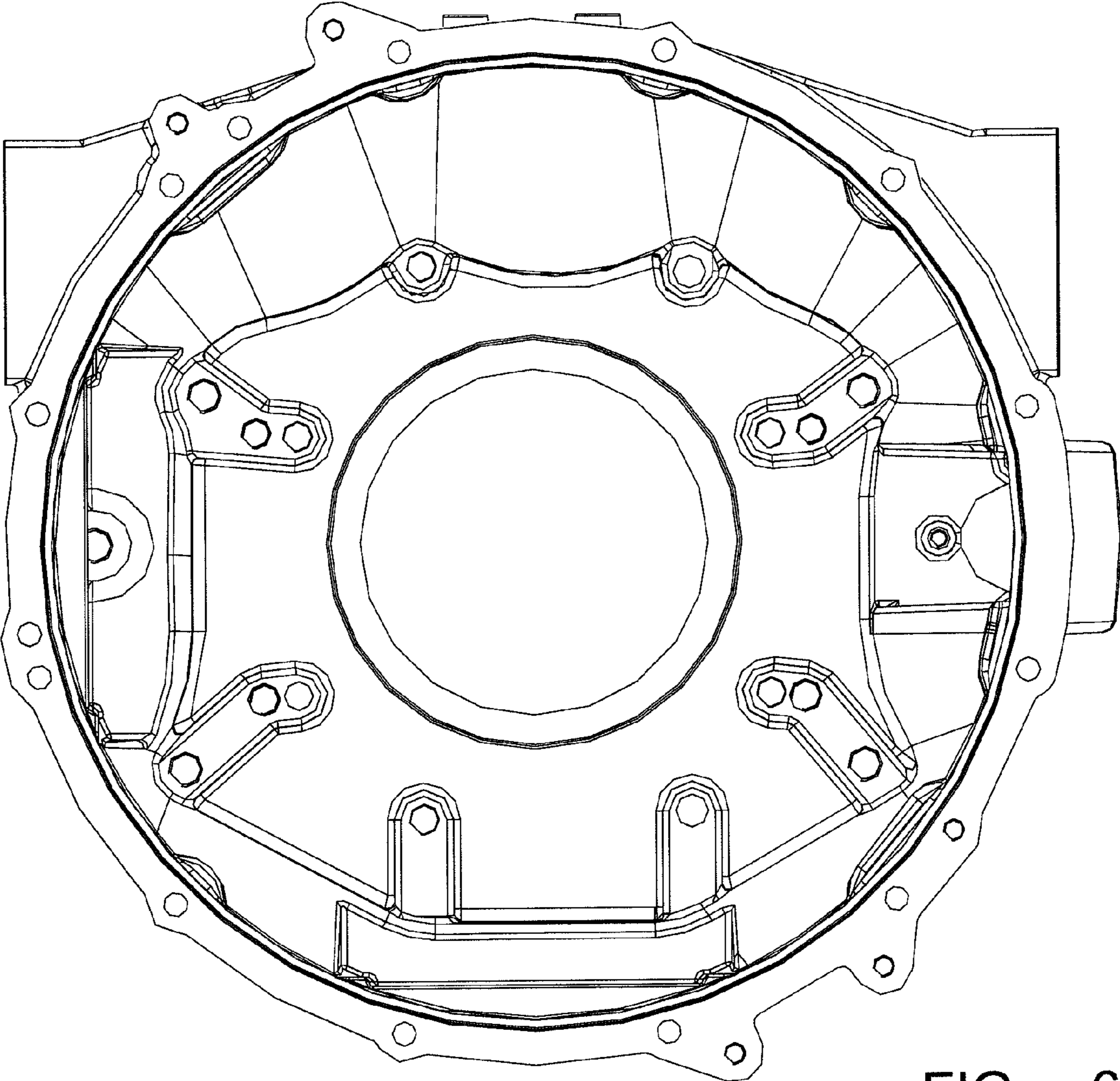


FIG. 6

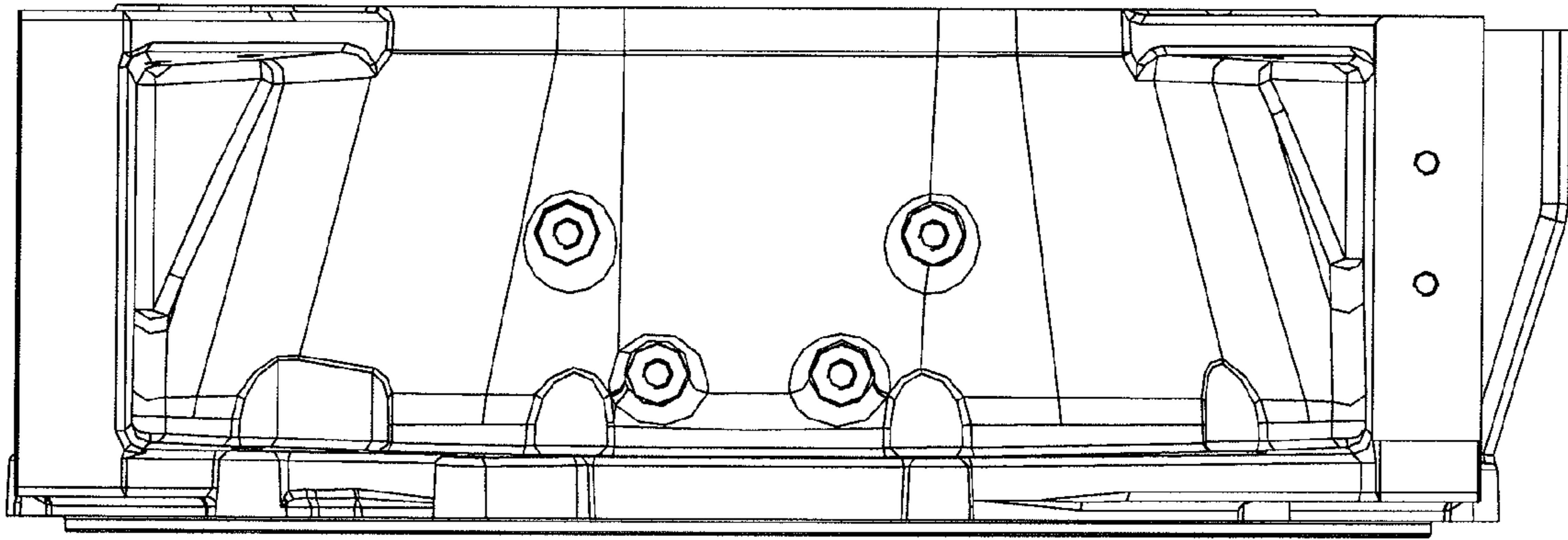


FIG. 7

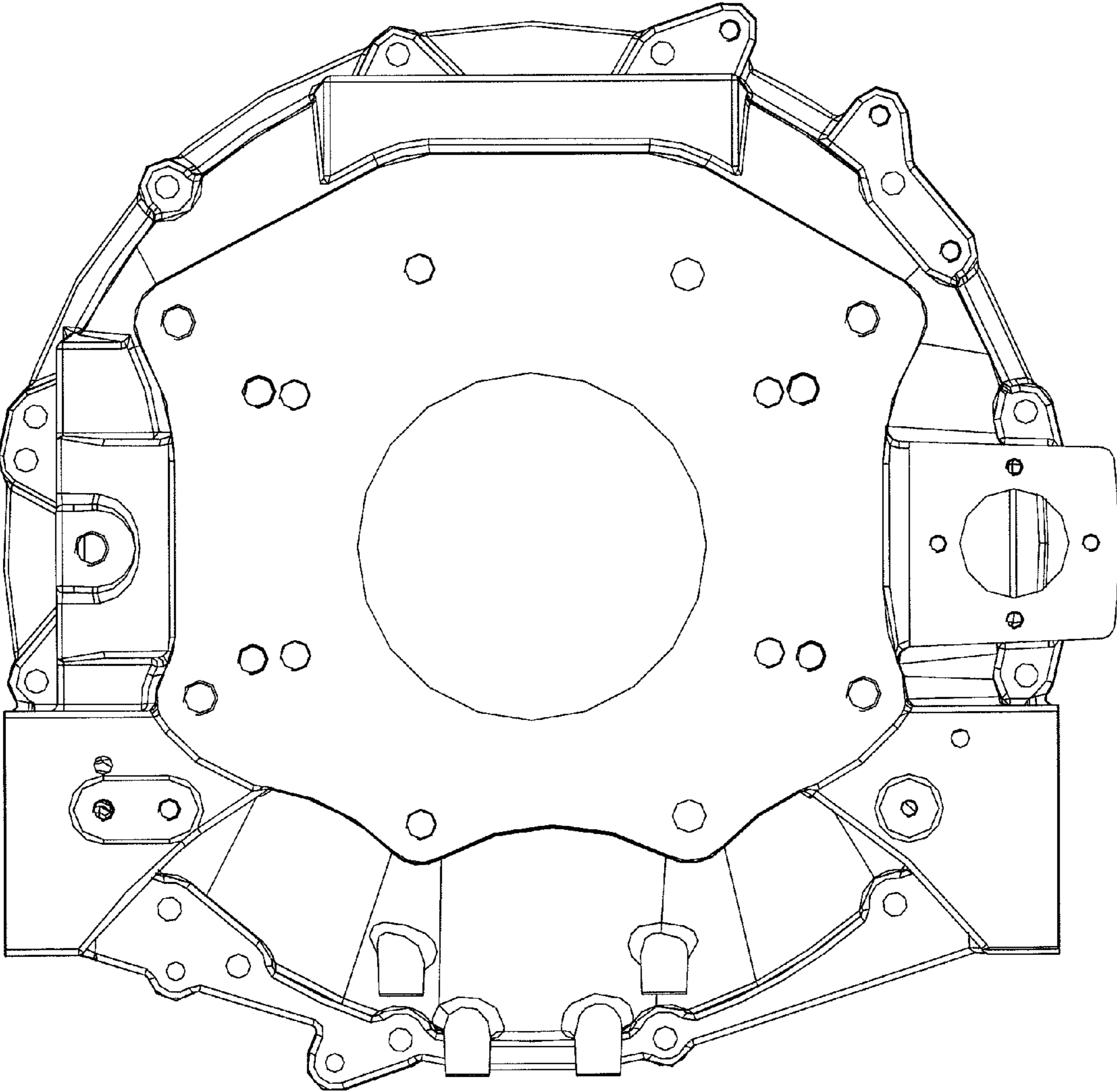


FIG. 8

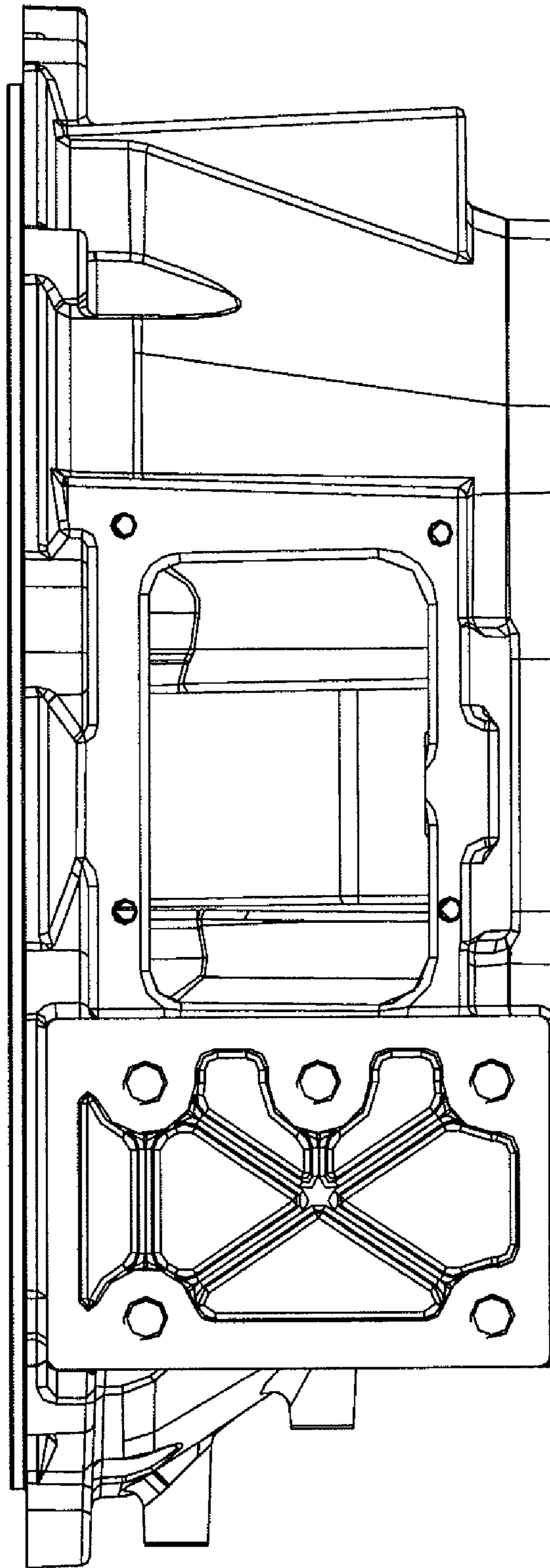


FIG. 9

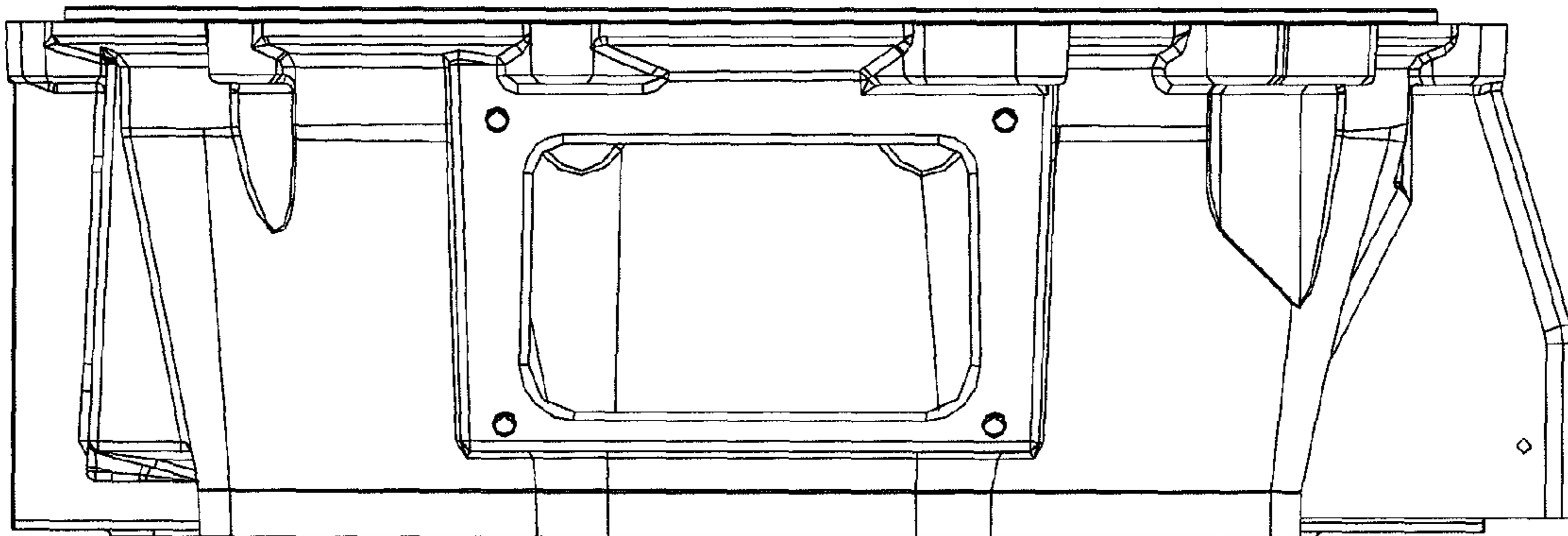


FIG. 10