



US00D647533S

(12) **United States Design Patent**  
**Busch**

(10) **Patent No.:** **US D647,533 S**

(45) **Date of Patent:** **\*\* Oct. 25, 2011**

(54) **USB DRIVE WITH SUCTION CUP**

D574,384 S \* 8/2008 Knoch ..... D14/436  
D603,410 S \* 11/2009 Knoch ..... D14/436  
D631,056 S \* 1/2011 Mans et al. .... D14/480.5

(76) Inventor: **Rebecca S. Busch**, Westmont, IL (US)

(\*\*) Term: **14 Years**

(21) Appl. No.: **29/372,622**

(22) Filed: **Dec. 15, 2010**

(51) **LOC (9) Cl.** ..... **14-02**

(52) **U.S. Cl.** ..... **D14/480.3**

(58) **Field of Classification Search** ..... D14/411,  
D14/433, 435.1, 436, 480.1–480.7, 484.1,  
D14/137, 155, 203.1–203.8, 240; D3/201,  
D3/273; D13/107, 108, 133, 154, 184; 710/300,  
710/301; 439/131, 135–147; D8/349, 354,  
D8/373

See application file for complete search history.

(56) **References Cited**

U.S. PATENT DOCUMENTS

D275,868 S \* 10/1984 Ake ..... D20/43  
D371,735 S \* 7/1996 Motta ..... D8/373  
D376,308 S \* 12/1996 Lee ..... D8/354  
D391,837 S \* 3/1998 Adams ..... D8/354  
D445,110 S \* 7/2001 MacLeod ..... D14/433  
D558,199 S \* 12/2007 Fiorentino et al. .... D14/436

OTHER PUBLICATIONS

10 Stupid And/Or Cool USB Flash Drives : EveryJoe—Sports News—Tech Reviews—Entertainment—Life Tips for EveryJoe, p. 8 [online] posted May 5, 2009 [retrieved on Nov. 2, 2009]. Retrieved from the Internet <URL: <http://www.everyjoe.com/articles/10-stupid-and-or-cool-usb-flash-drives/>>.\*

\* cited by examiner

*Primary Examiner* — Cathron Brooks

*Assistant Examiner* — Karen E Kearney

(74) *Attorney, Agent, or Firm* — Ryndak & Suri LLP

(57) **CLAIM**

I claim the ornamental design for a USB drive with suction cup, as shown.

**DESCRIPTION**

FIG. 1 is a perspective view of the USB drive with suction cup of the invention;

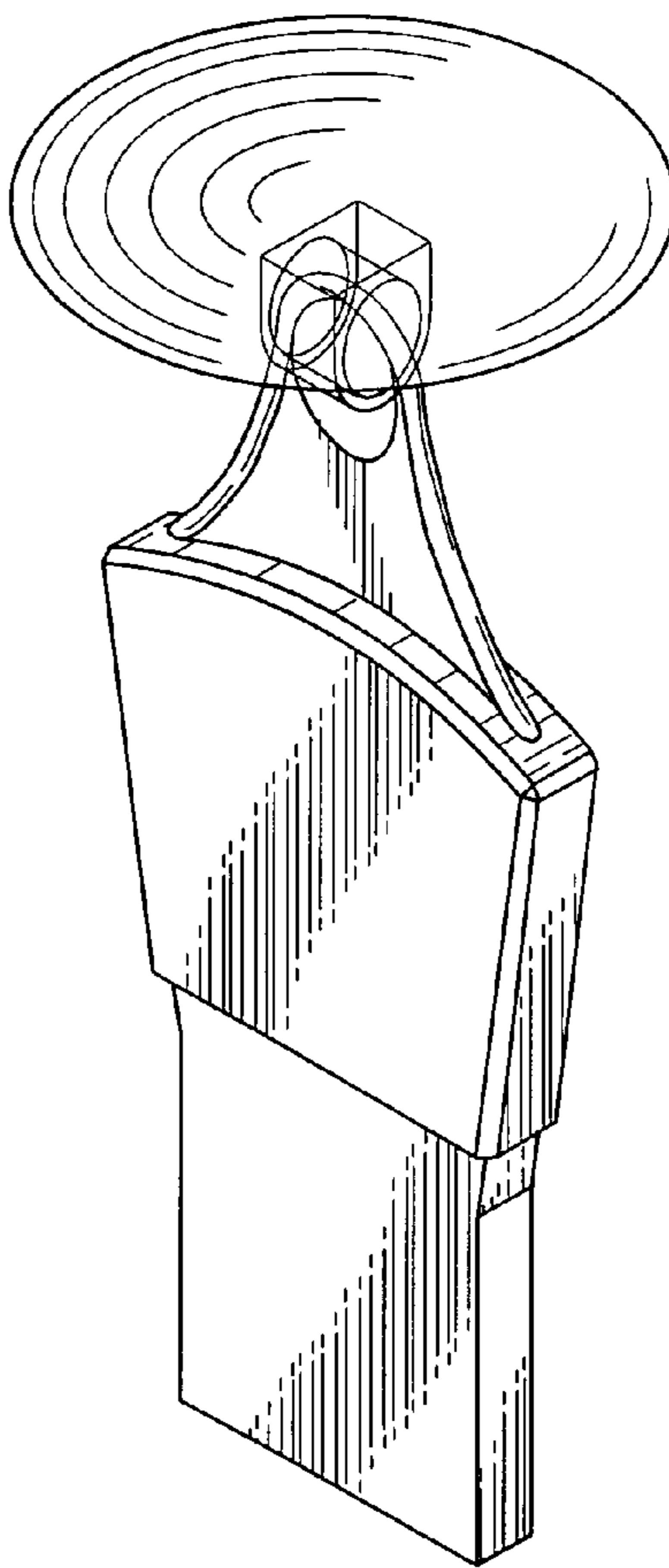
FIG. 2 is a front elevation view thereof;

FIG. 3 is a side elevation view thereof;

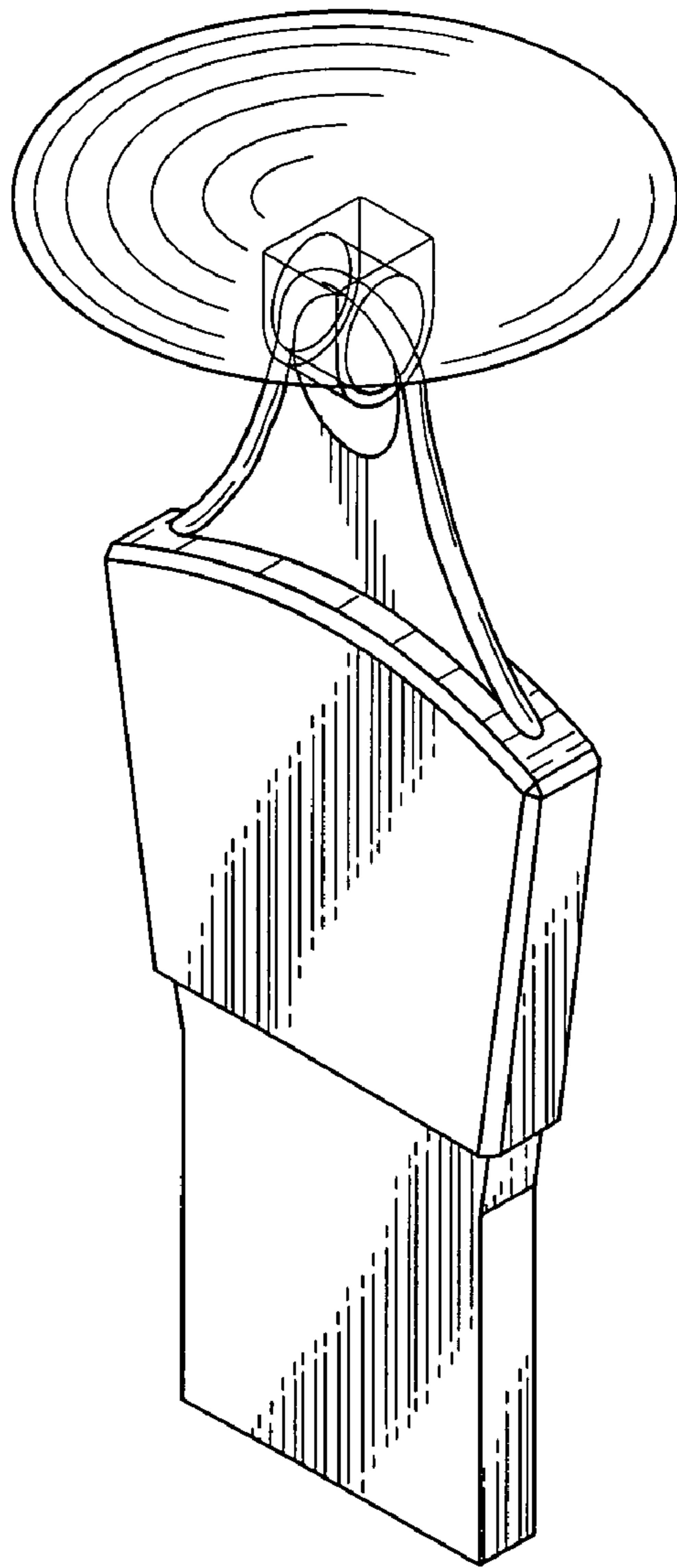
FIG. 4 is a top plan view thereof; and,

FIG. 5 is a bottom plan view thereof.

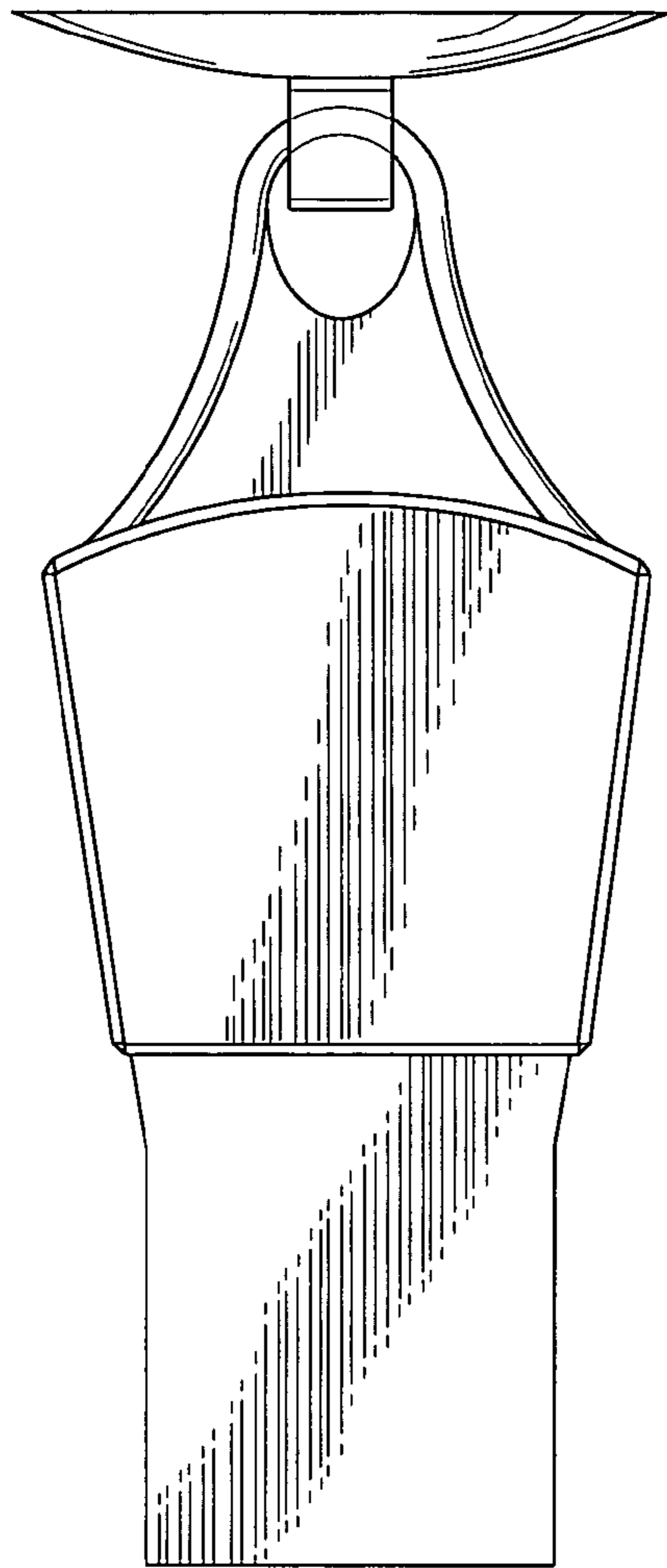
**1 Claim, 3 Drawing Sheets**



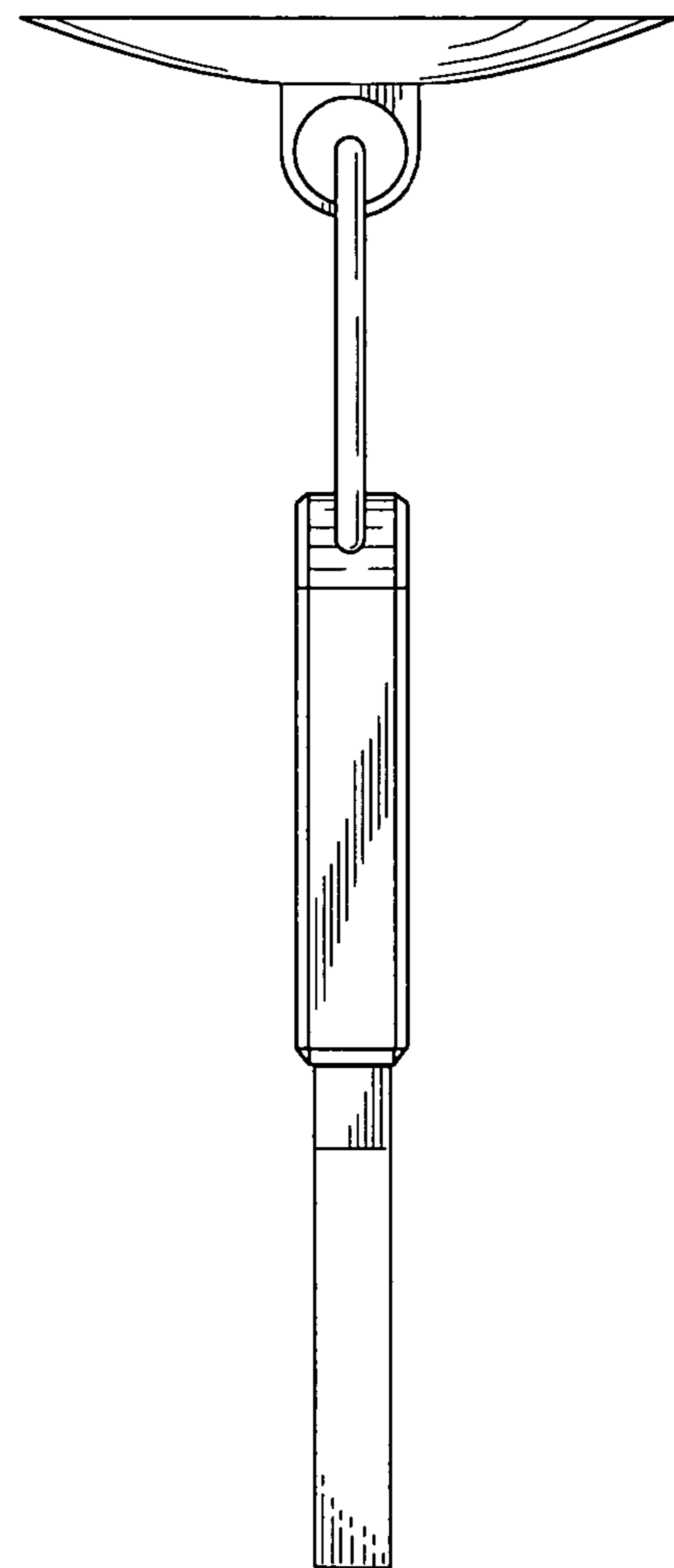
*Fig. 1*



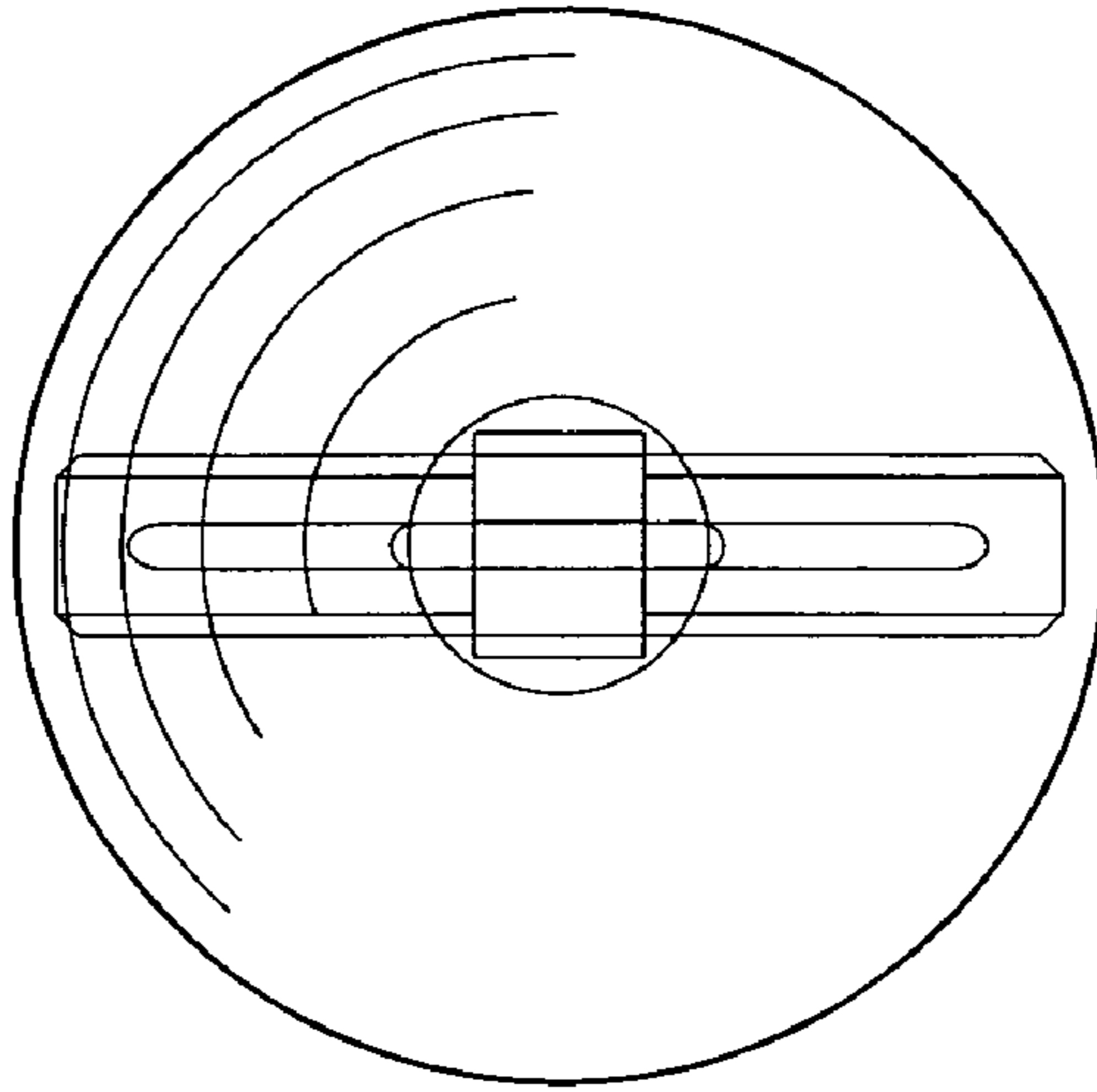
*Fig. 2*



*Fig. 3*



*Fig. 4*



*Fig. 5*

