



US00D647532S

(12) **United States Design Patent**  
**Busch**

(10) **Patent No.:** **US D647,532 S**

(45) **Date of Patent:** **\*\* Oct. 25, 2011**

(54) **BOTTLE CAP WITH FLIP-UP USB DRIVE**

(76) Inventor: **Rebecca S. Busch**, Westmont, IL (US)

(\*\*) Term: **14 Years**

(21) Appl. No.: **29/372,322**

(22) Filed: **Nov. 8, 2010**

(51) **LOC (9) Cl.** ..... **14-02**

(52) **U.S. Cl.** ..... **D14/480.3; D14/480.6; D9/436; D9/454**

(58) **Field of Classification Search** ..... D14/411, D14/433, 435.1, 436, 480.1–480.7, 484.1, D14/137, 155, 203.1–203.8, 240; D3/201, D3/273; D13/107, 108, 133, 154, 184; 710/300, 710/301; 439/131, 135–147; D9/436, 454  
See application file for complete search history.

(56) **References Cited**

**U.S. PATENT DOCUMENTS**

D340,188	S	*	10/1993	Forsyth	.....	D9/449
D451,924	S	*	12/2001	Chu	.....	D14/436
6,480,390	B2	*	11/2002	Matsumiya et al.	.....	361/736
D476,892	S	*	7/2003	Martin et al.	.....	D9/449
D518,483	S	*	4/2006	Yu et al.	.....	D14/436
7,066,753	B1	*	6/2006	Tseng	.....	439/259
7,097,472	B2	*	8/2006	Parker	.....	439/131
7,121,852	B2	*	10/2006	Ng et al.	.....	439/131
D537,036	S	*	2/2007	Chen	.....	D14/433
D552,610	S	*	10/2007	Newby et al.	.....	D14/433
7,462,044	B1	*	12/2008	Regen et al.	.....	439/131
D601,019	S	*	9/2009	Zupan	.....	D9/449
7,833,029	B2	*	11/2010	Choi et al.	.....	439/135
D637,587	S	*	5/2011	Pan	.....	D14/242
D638,001	S	*	5/2011	Nakhjiri et al.	.....	D14/242

2010/0221936 A1\* 9/2010 Zhao et al. .... 439/135  
\* cited by examiner

*Primary Examiner* — Cathron Brooks  
*Assistant Examiner* — Karen E Kearney  
(74) *Attorney, Agent, or Firm* — Ryndak & Suri LLP

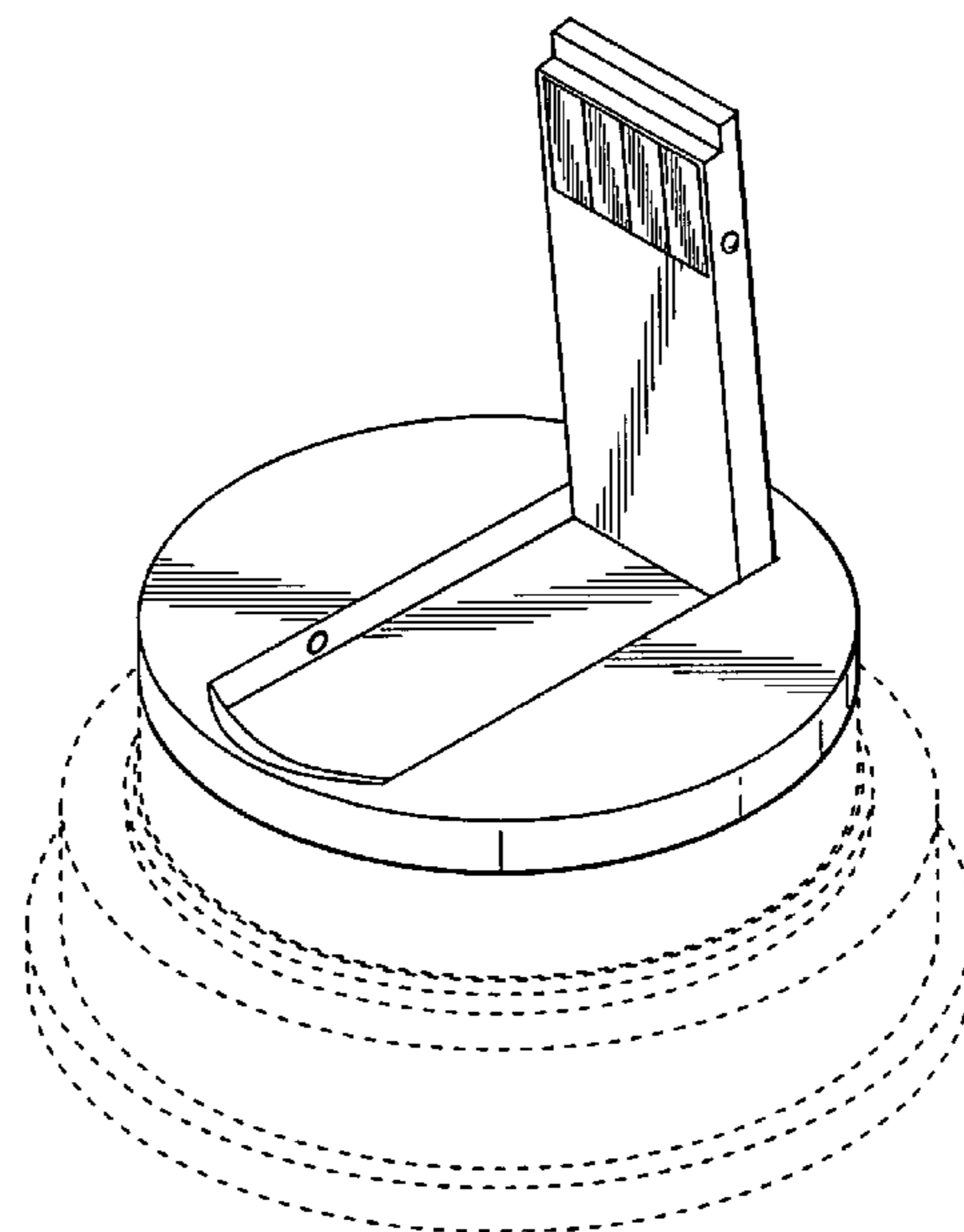
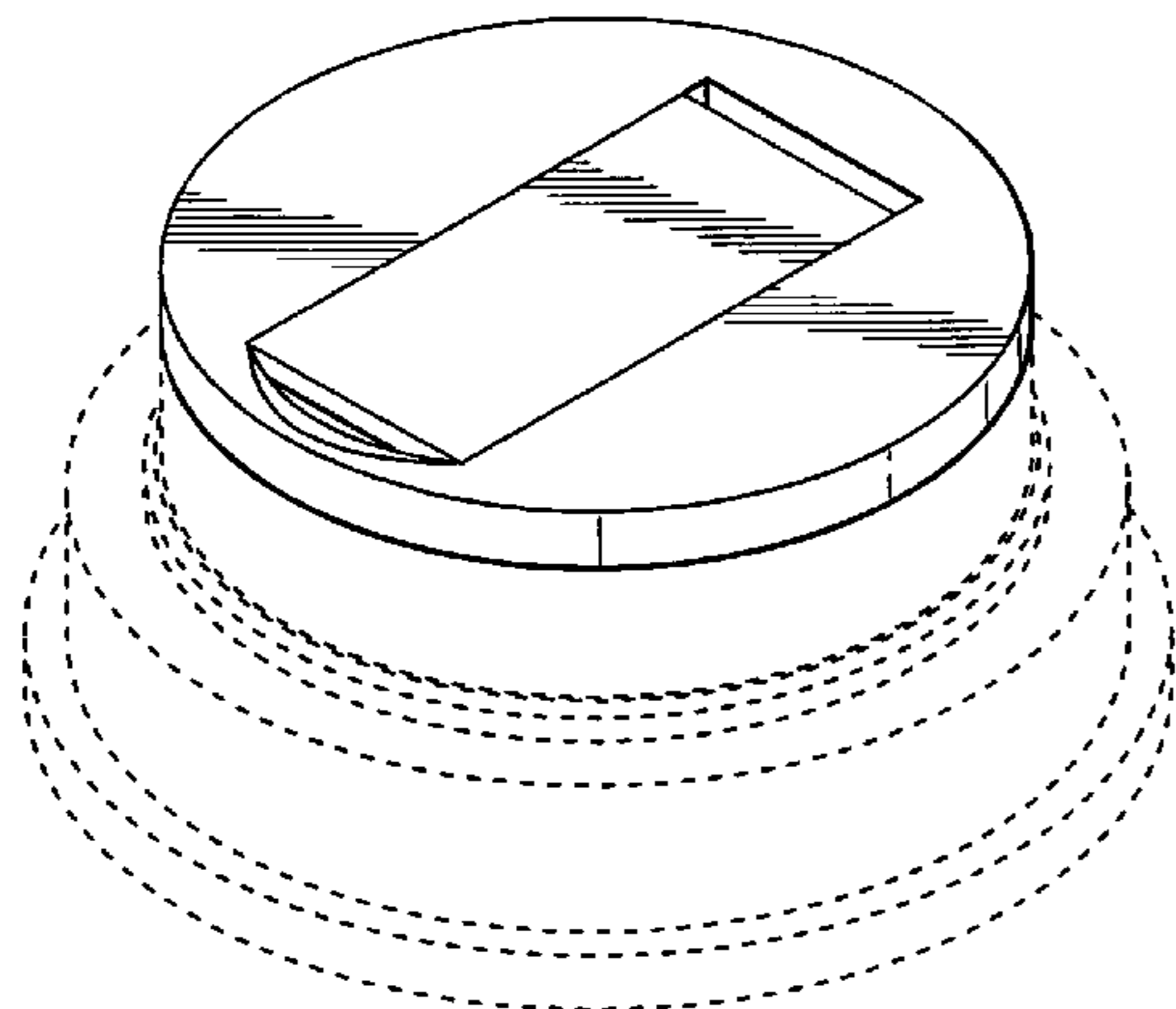
(57) **CLAIM**

I claim the ornamental design for a bottle cap with flip-up USB drive, as shown and described.

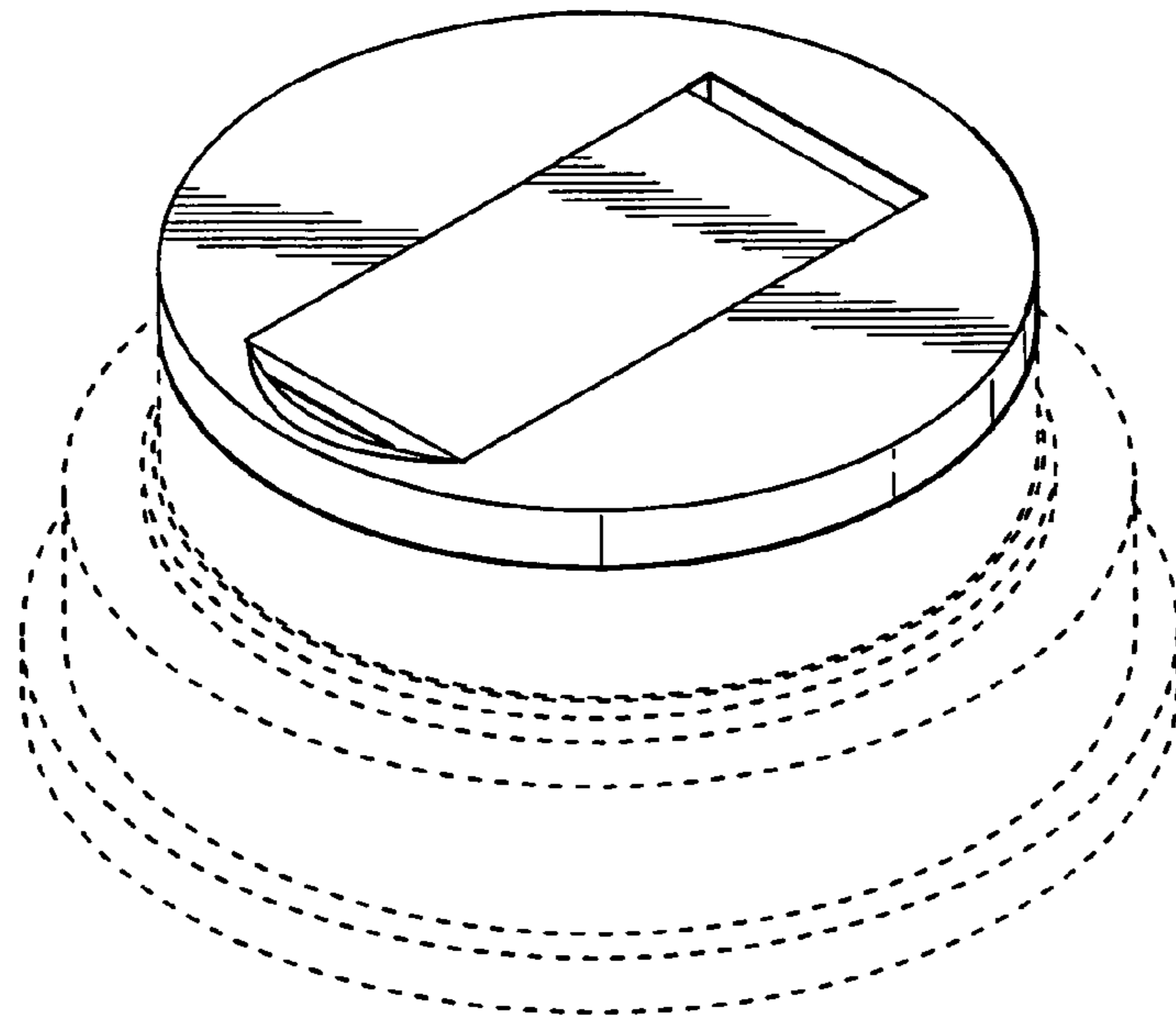
**DESCRIPTION**

FIG. 1 is a perspective view of the bottle cap with flip-up USB drive of the invention with the USB drive in the closed (down) position;  
FIG. 2 is a perspective view thereof with the USB drive in the open (up) position;  
FIG. 3 is a top plan view thereof with the USB drive in the closed (down) position;  
FIG. 4 is a top plan view thereof with the USB drive in the open (up) position;  
FIG. 5 is a bottom plan view thereof;  
FIG. 6 is a front elevation view thereof with the USB drive in the closed (down) position;  
FIG. 7 is a right side elevation view thereof with the USB drive in the open (up) position;  
FIG. 8 is a left side elevation view thereof with the USB drive in the open (up) position;  
FIG. 9 is a front elevation view thereof with the USB drive in the open (up) position; and,  
FIG. 10 is a rear elevation view thereof with the USB drive in the open (up) position.  
The broken lines in the drawings show environmental structure and form no part of the claimed design.

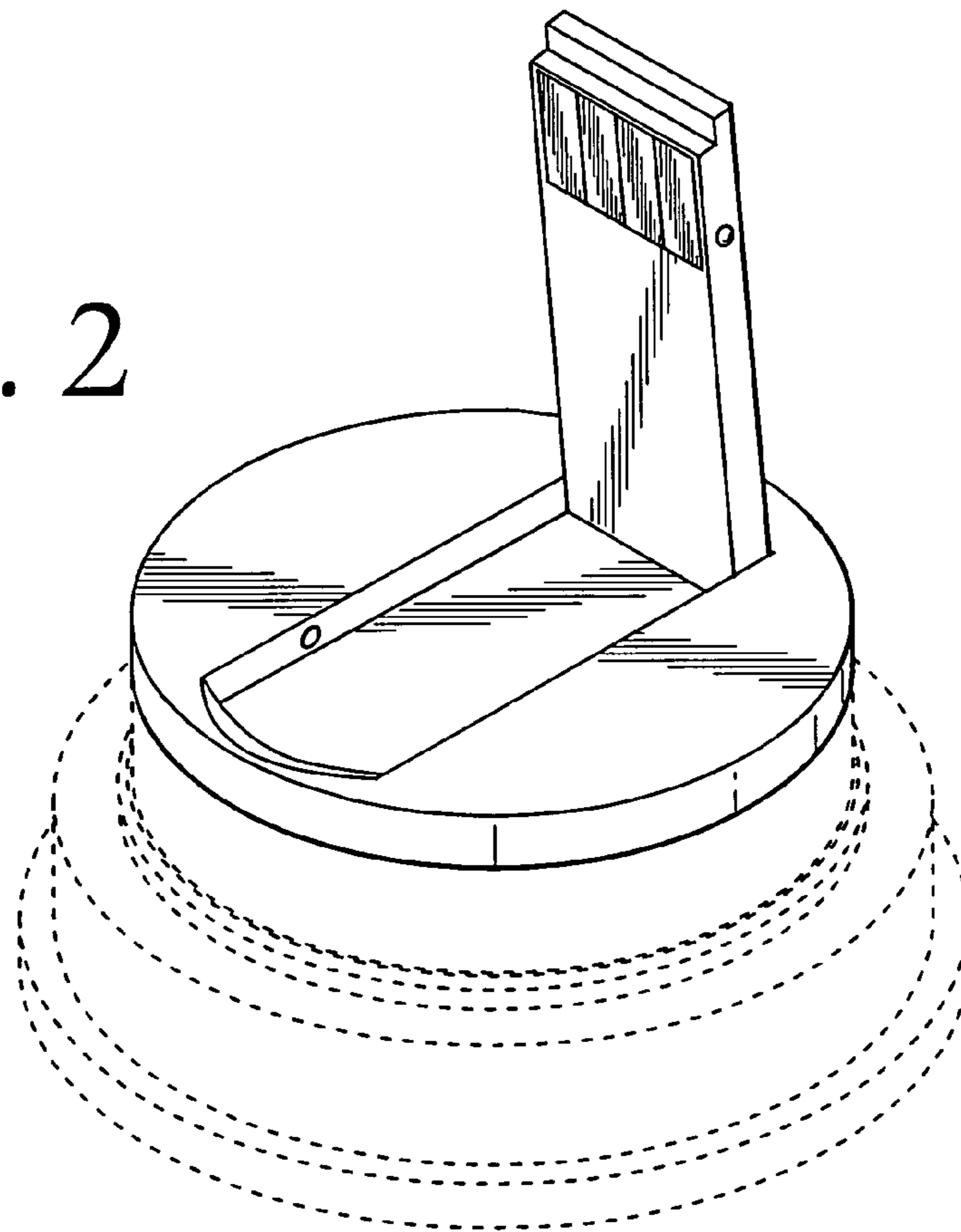
**1 Claim, 5 Drawing Sheets**



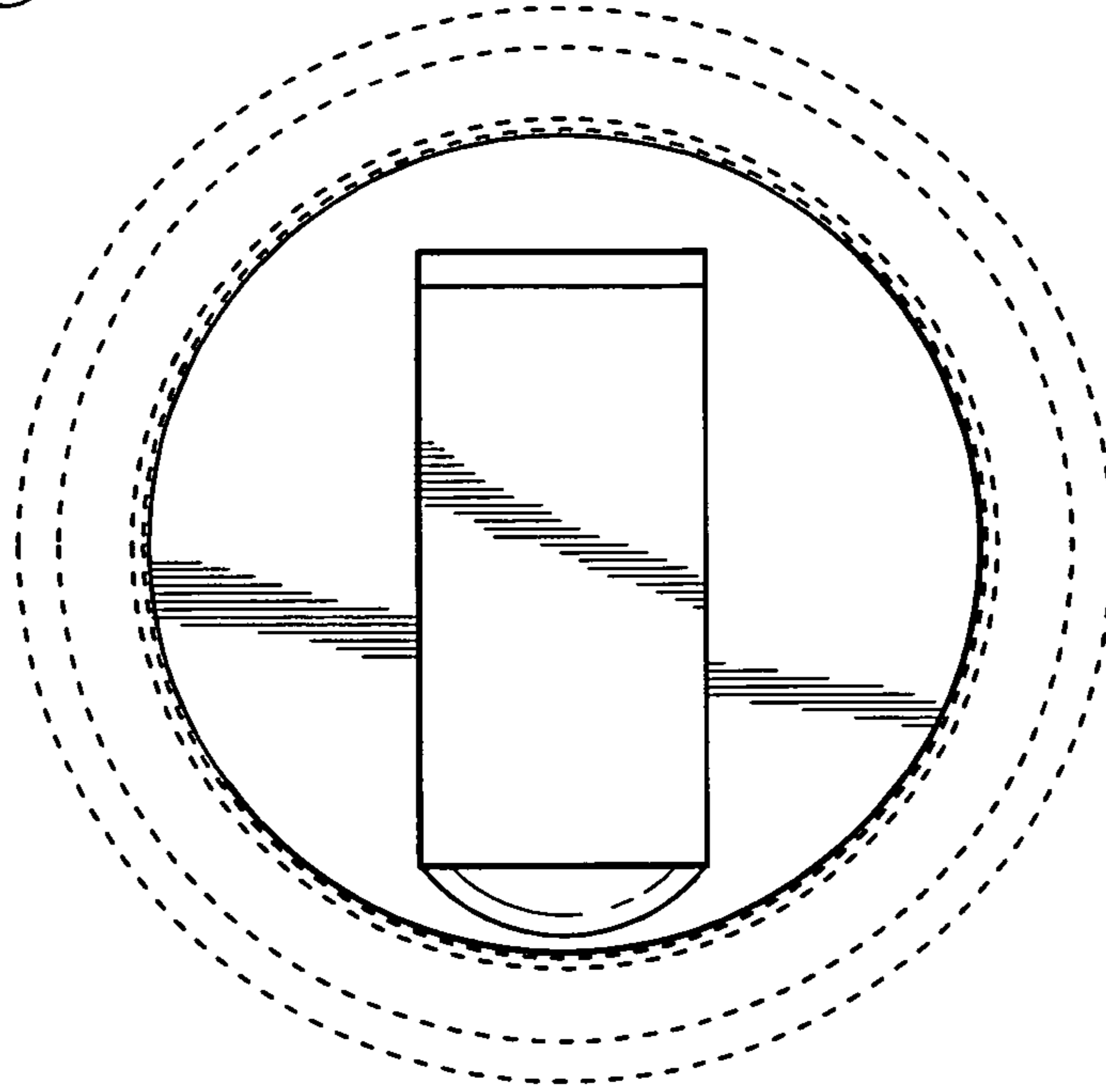
*Fig. 1*



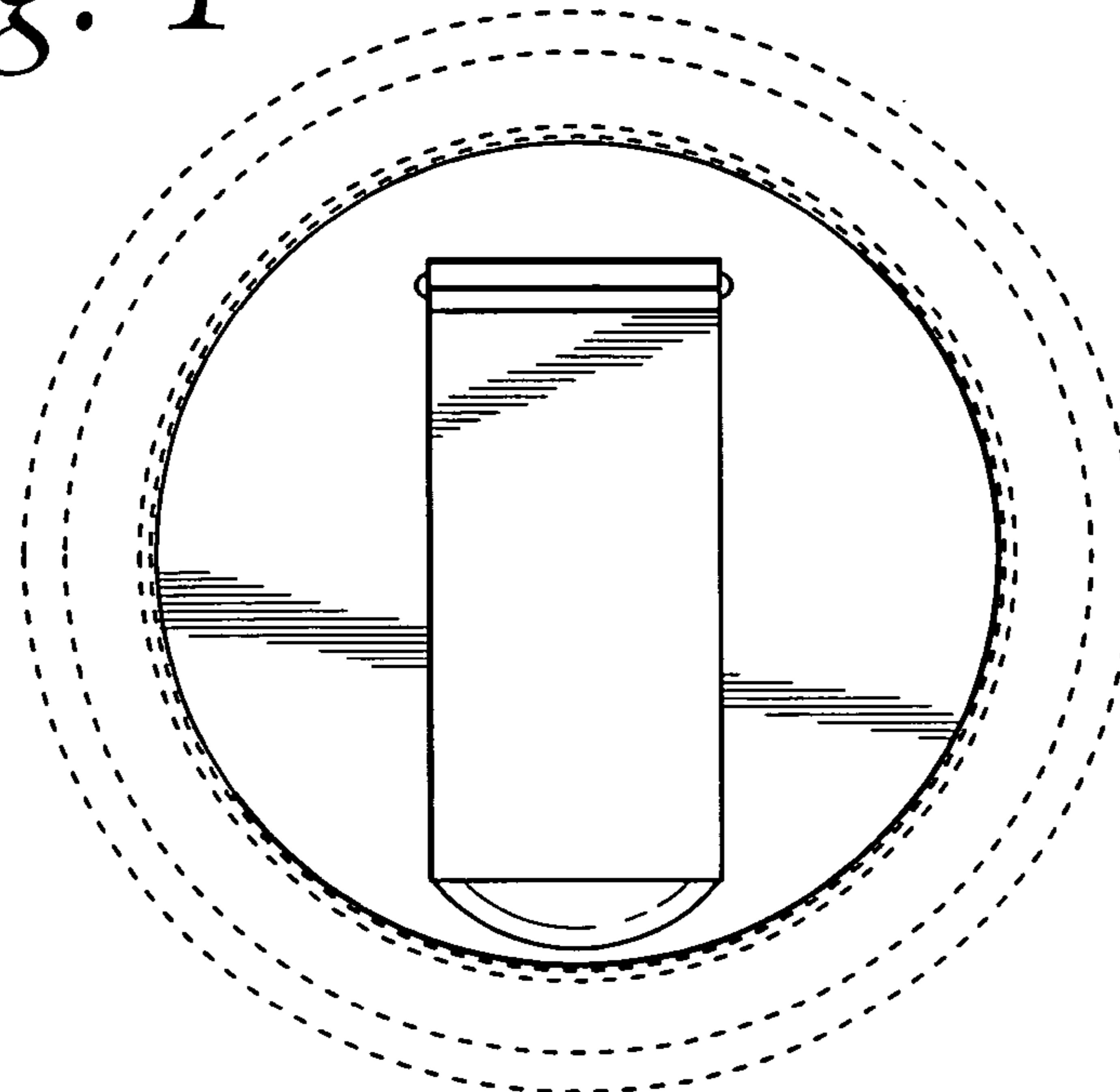
*Fig. 2*



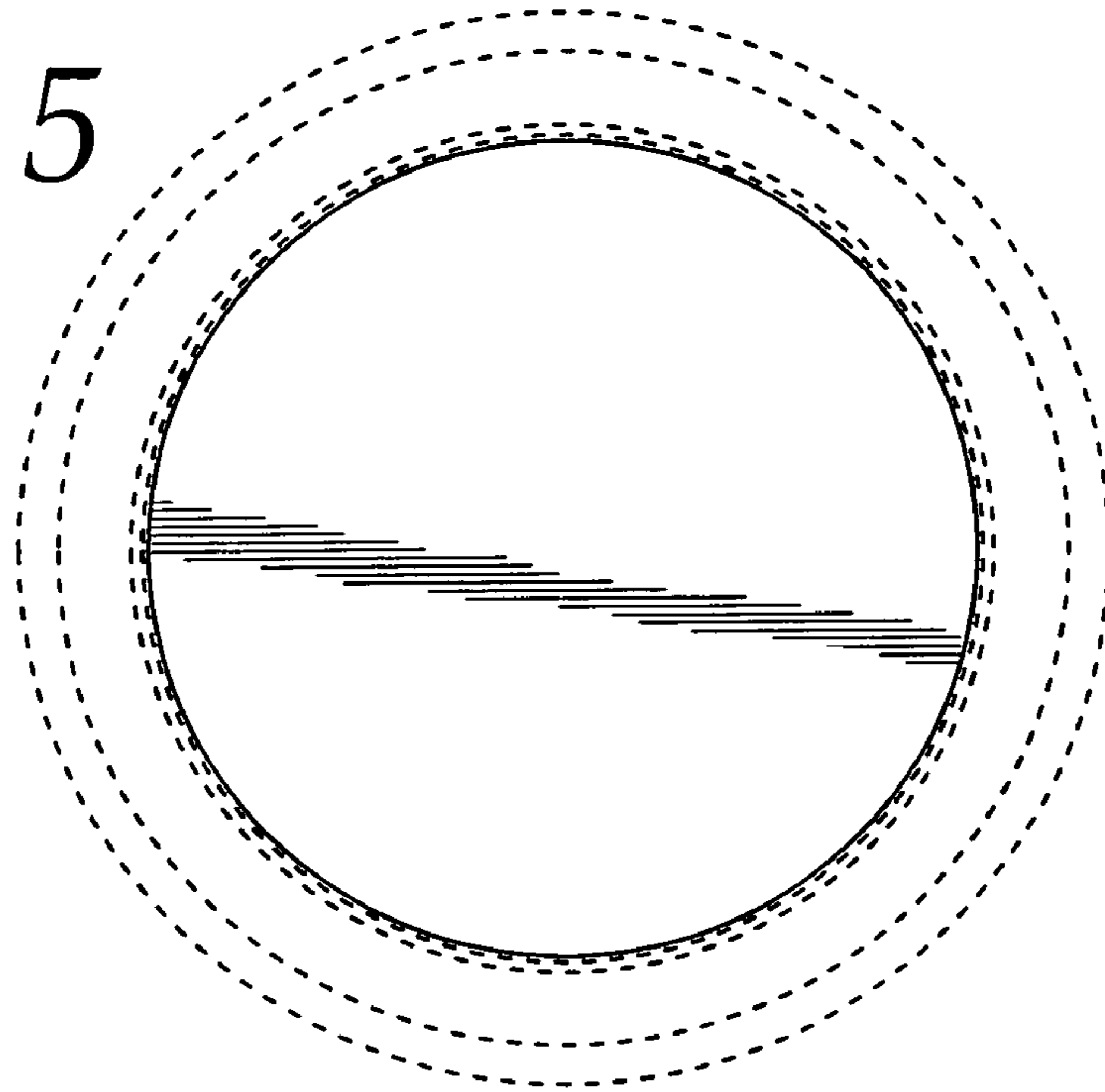
*Fig. 3*



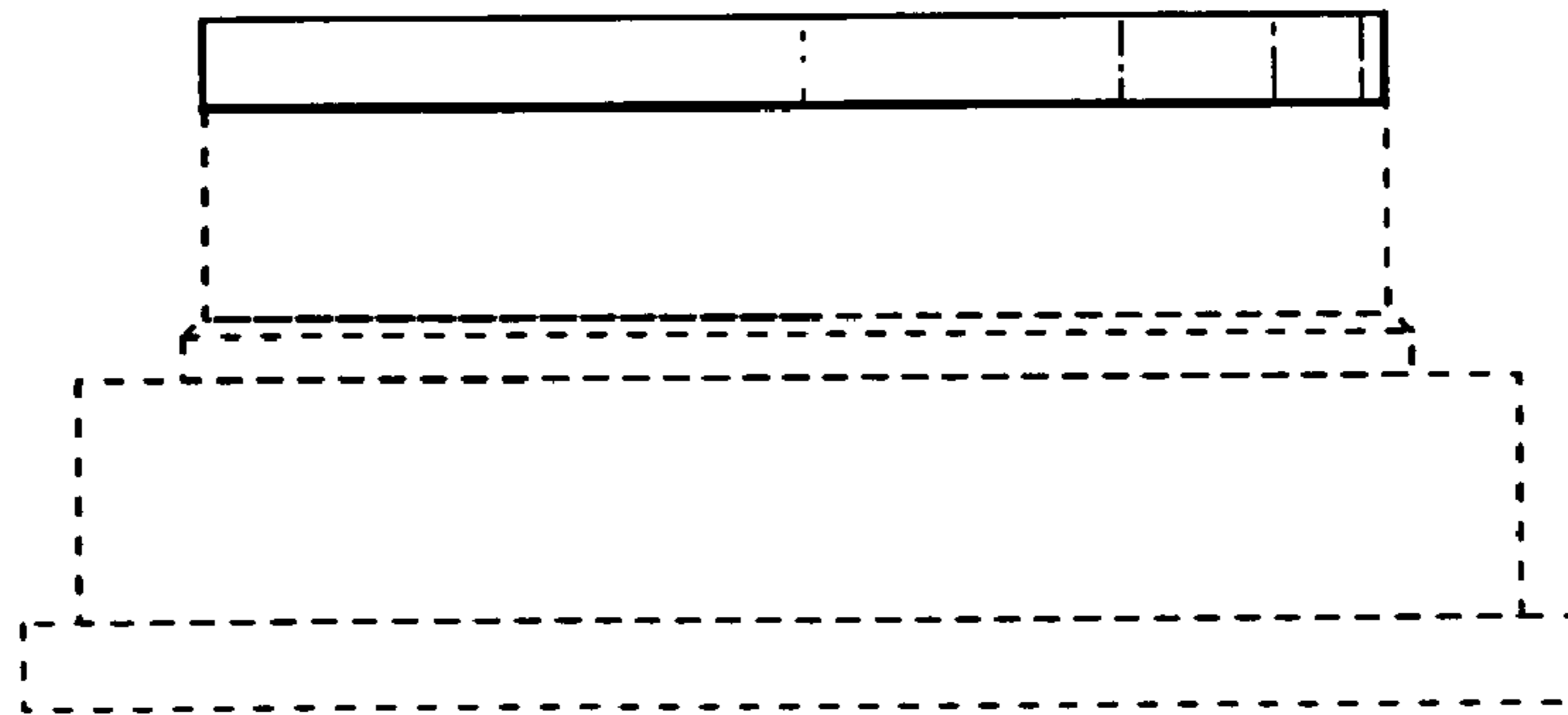
*Fig. 4*



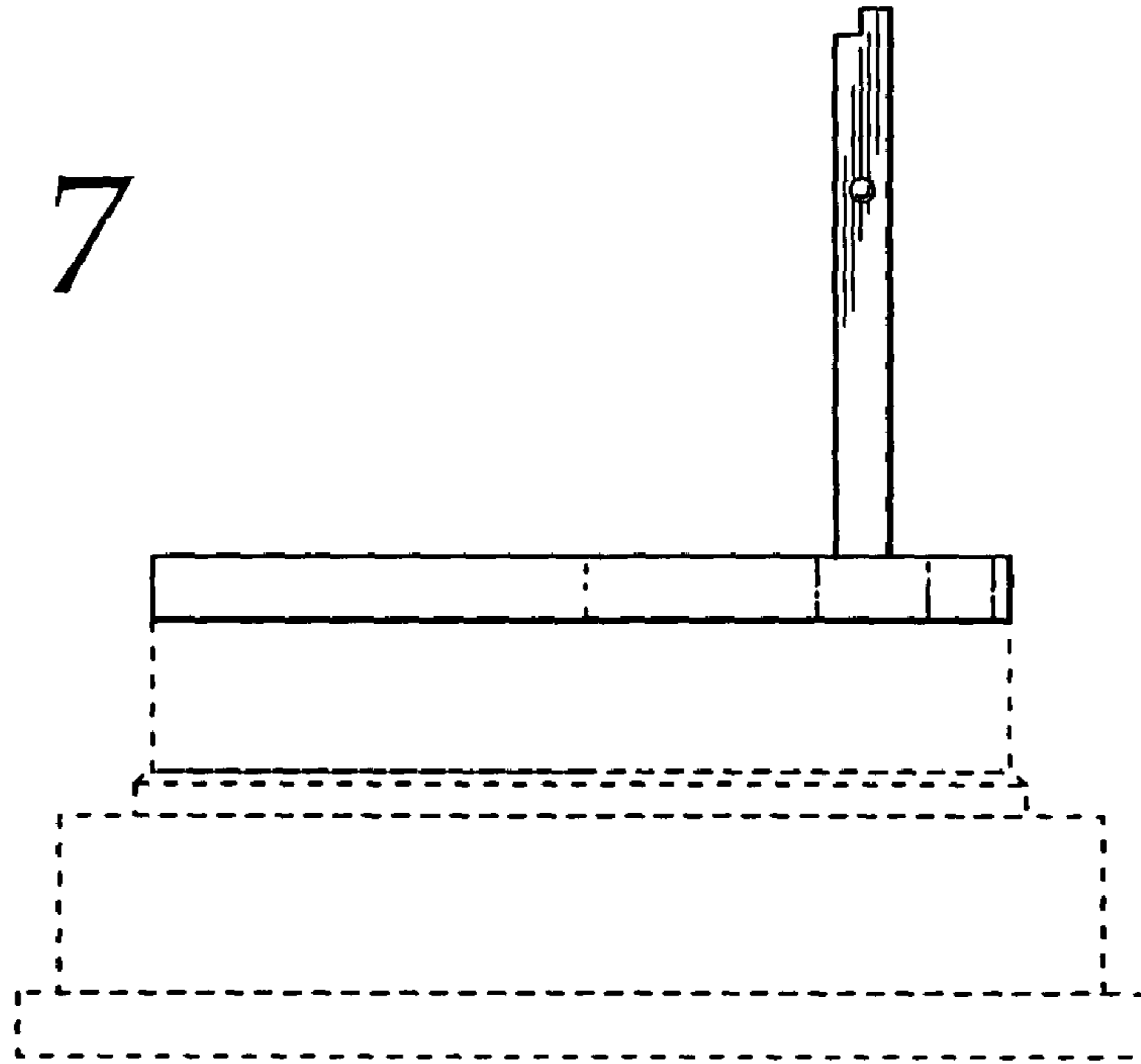
*Fig. 5*



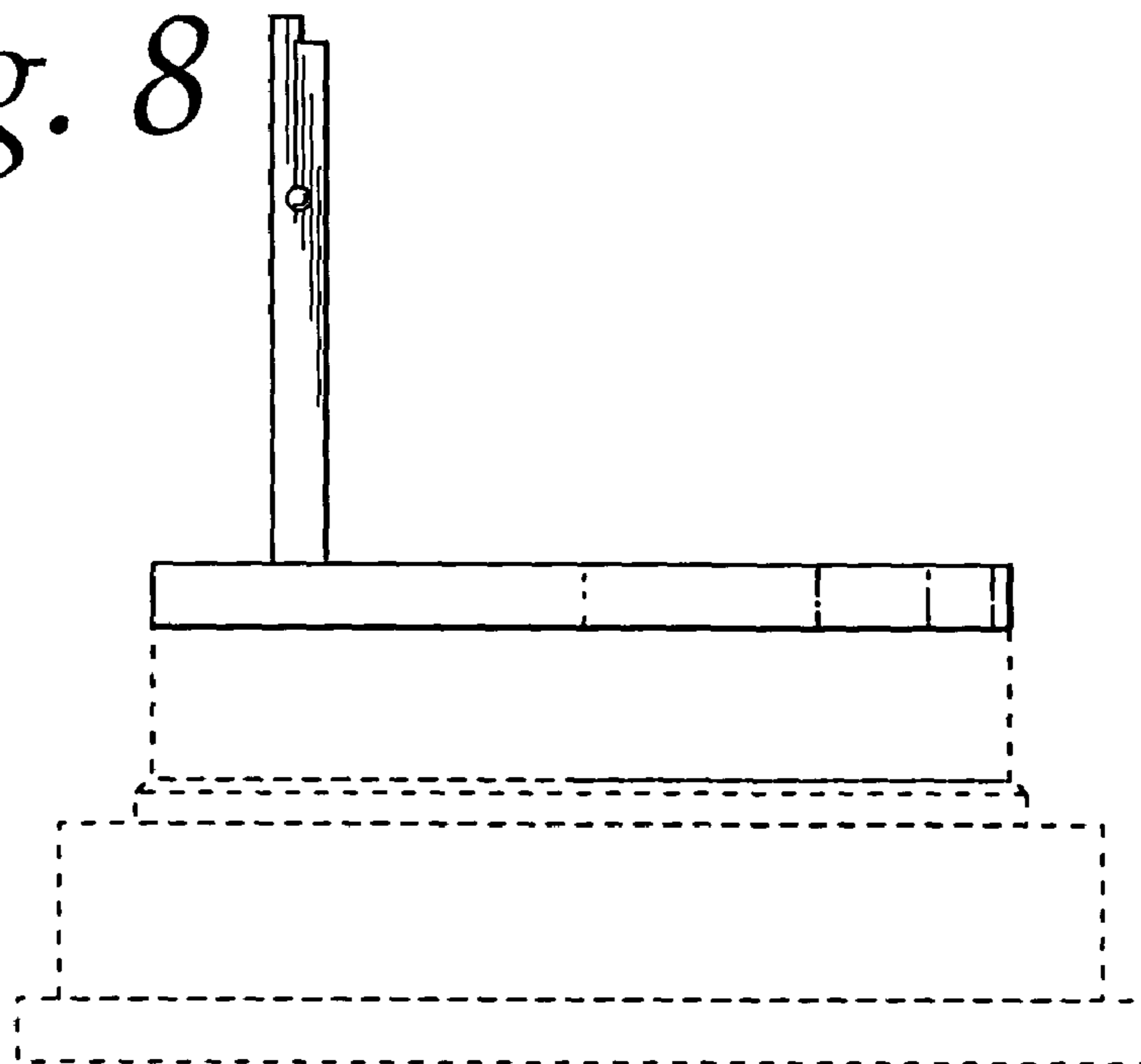
*Fig. 6*



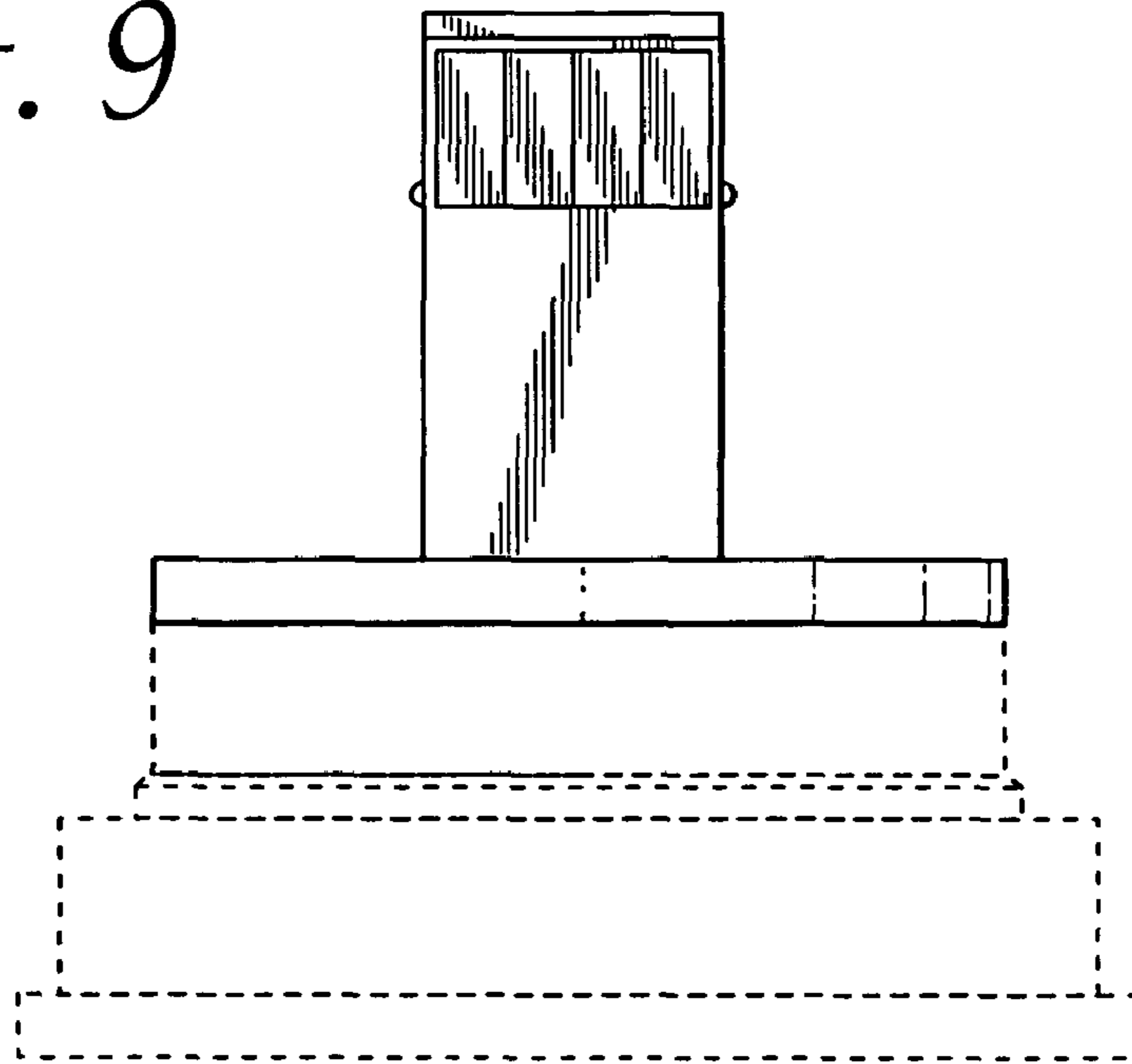
*Fig. 7*



*Fig. 8*



*Fig. 9*



*Fig. 10*

