



US00D647531S

(12) **United States Design Patent**
Busch

(10) **Patent No.:** **US D647,531 S**

(45) **Date of Patent:** **** Oct. 25, 2011**

(54) **BOTTLE CAP WITH SWING-OUT USB DRIVE**

(74) *Attorney, Agent, or Firm* — Ryndak & Suri LLP

(76) Inventor: **Rebecca S. Busch**, Westmont, IL (US)

(57) **CLAIM**

(**) Term: **14 Years**

I claim the ornamental design for a bottle cap with swing-out USB drive, as shown and described.

(21) Appl. No.: **29/372,321**

DESCRIPTION

(22) Filed: **Nov. 8, 2010**

(51) **LOC (9) Cl.** **14-02**

(52) **U.S. Cl.** **D14/480.3; D14/480.6; D9/436; D9/454**

(58) **Field of Classification Search** D14/411, D14/433, 435.1, 436, 480.1–480.7, 484.1, D14/137, 155, 203.1–203.8, 240; D3/201, D3/273; D13/107, 108, 133, 154, 184; 710/300, 710/301; 439/131, 135–147; D9/436, 454
See application file for complete search history.

FIG. 1 is a perspective view of the bottle cap with swing-out USB drive of the invention with the USB drive in the closed (in) position;

FIG. 2 is a perspective view thereof with the USB drive in the open (out) position;

FIG. 3 is a top plan view thereof with the USB drive in the closed (in) position;

FIG. 4 is a top plan view thereof with the USB drive in the open (out) position;

FIG. 5 is a bottom plan view thereof with the USB drive in the closed (in) position;

FIG. 6 is a bottom plan view thereof with the USB drive in the open (out) position;

FIG. 7 is a front elevation view thereof with the USB drive in the closed (in) position;

FIG. 8 is a front elevation view thereof with the USB drive in the open (out) position;

FIG. 9 is a side elevation view thereof with the USB drive in the closed (in) position; and,

FIG. 10 is a side elevation view thereof with the USB drive in the open (out) position.

The broken lines in the drawings show environmental structure and form no part of the claimed design.

(56) **References Cited**

U.S. PATENT DOCUMENTS

D451,924 S *	12/2001	Chu	D14/436
6,676,420 B1 *	1/2004	Liu et al.	439/131
D518,483 S *	4/2006	Yu et al.	D14/436
7,466,556 B2 *	12/2008	Hiew et al.	361/737
D609,900 S *	2/2010	Behar et al.	D3/201
D622,279 S *	8/2010	Ma	D14/480.6
D623,192 S *	9/2010	Peng	D14/480.6
D638,001 S *	5/2011	Nakhjiri et al.	D14/242
2011/0104954 A1 *	5/2011	Zhao et al.	439/660

* cited by examiner

Primary Examiner — Cathron Brooks

Assistant Examiner — Karen E Kearney

1 Claim, 5 Drawing Sheets

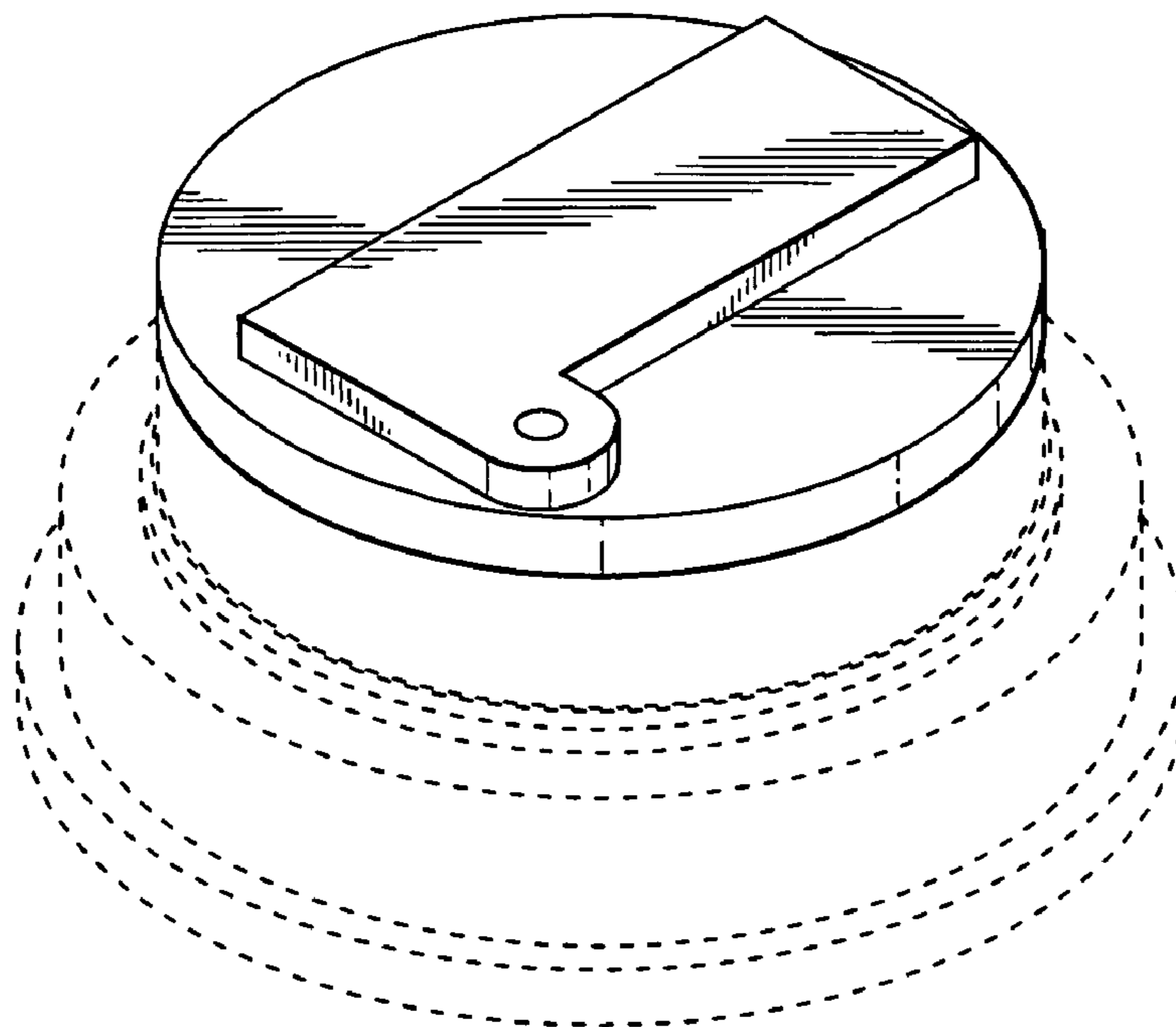


Fig. 1

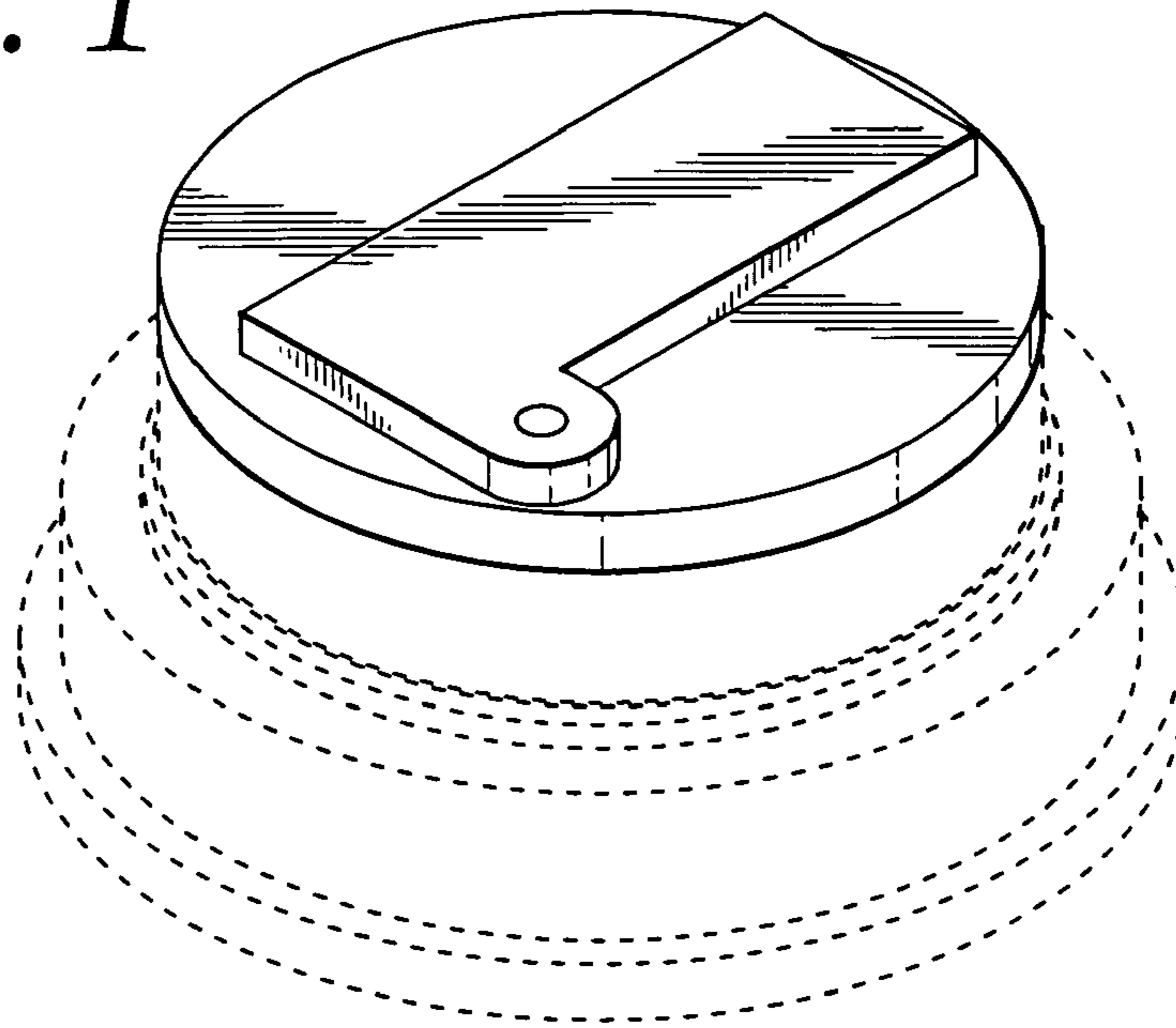


Fig. 2

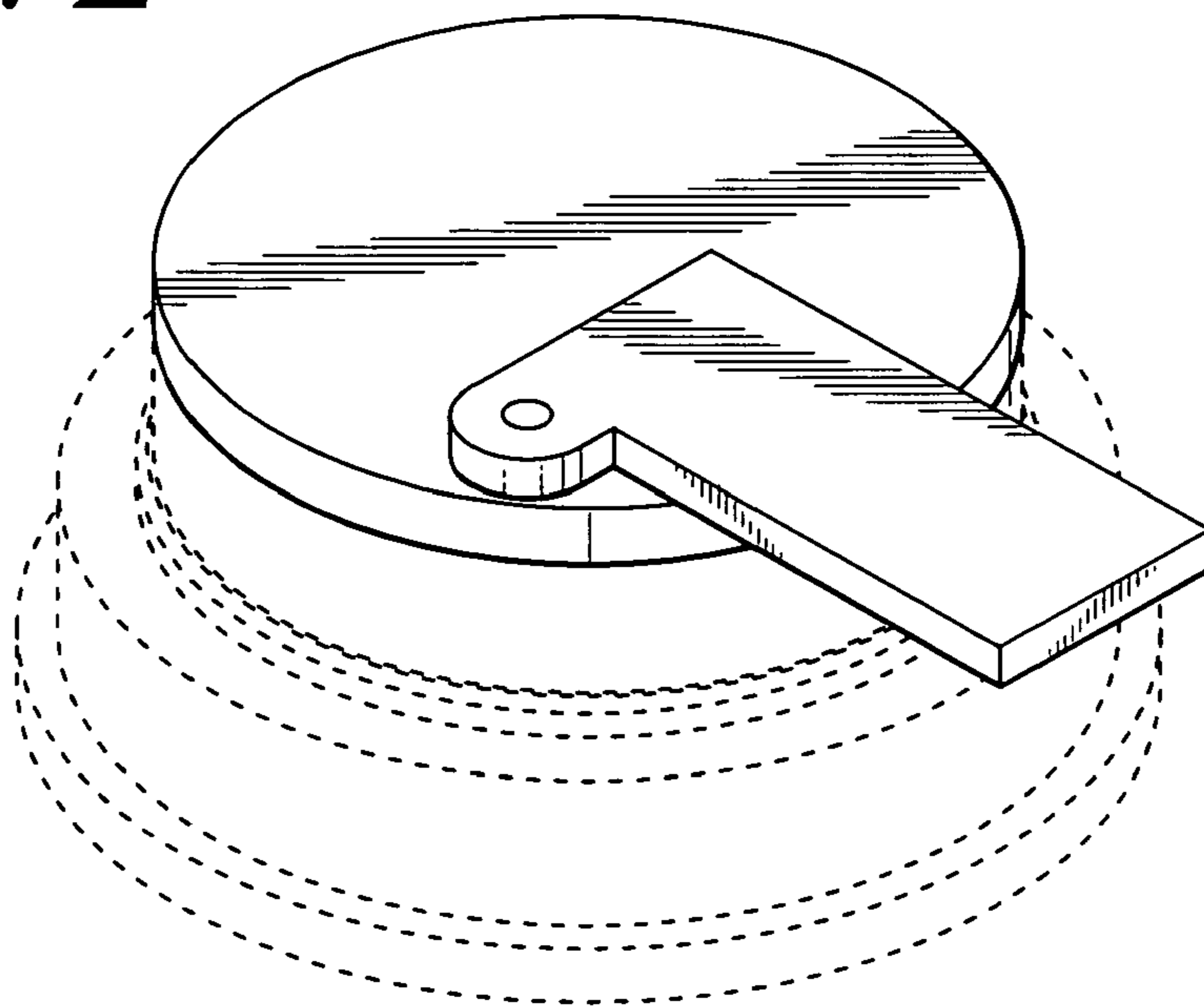


Fig. 3

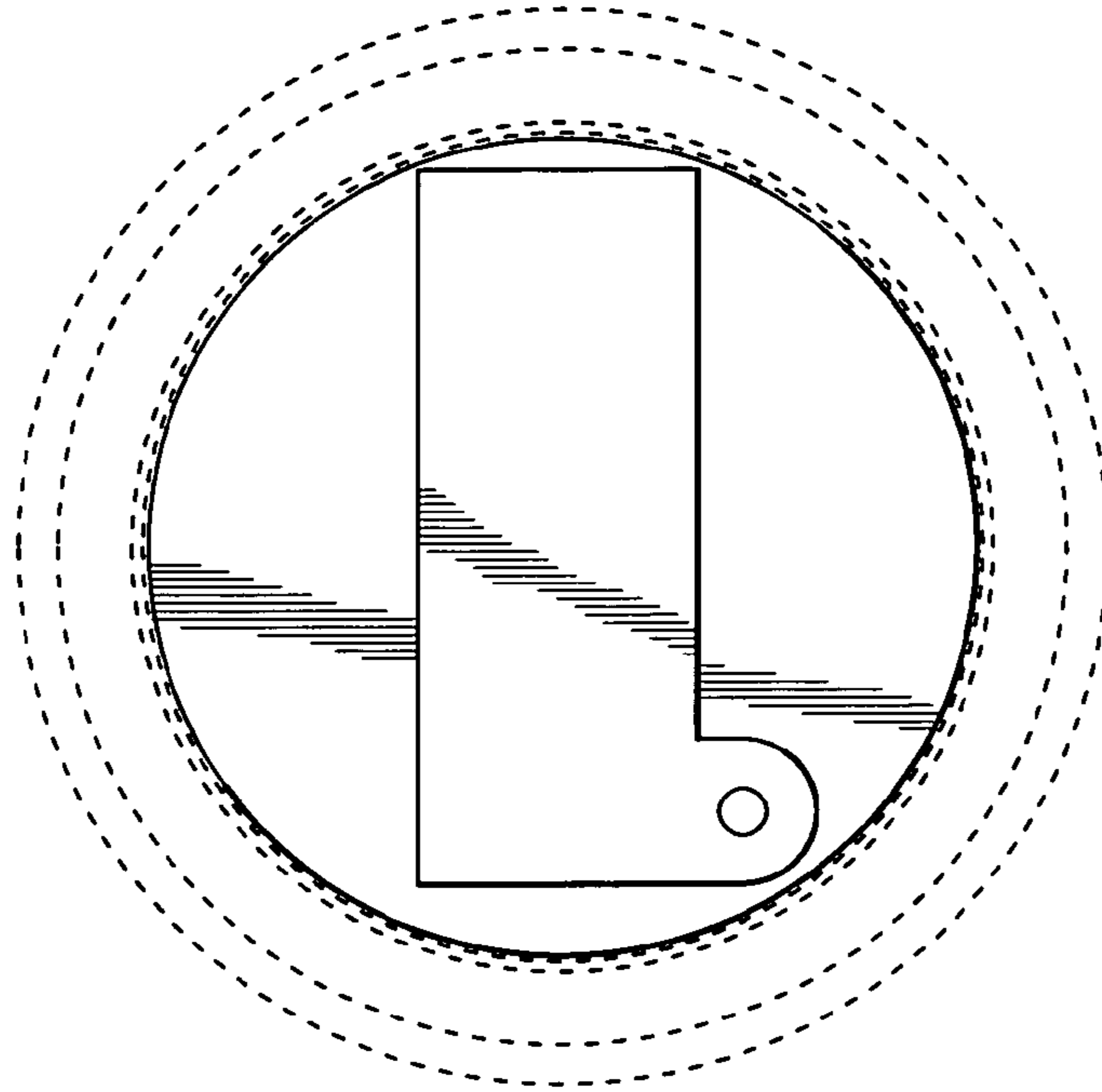


Fig. 4

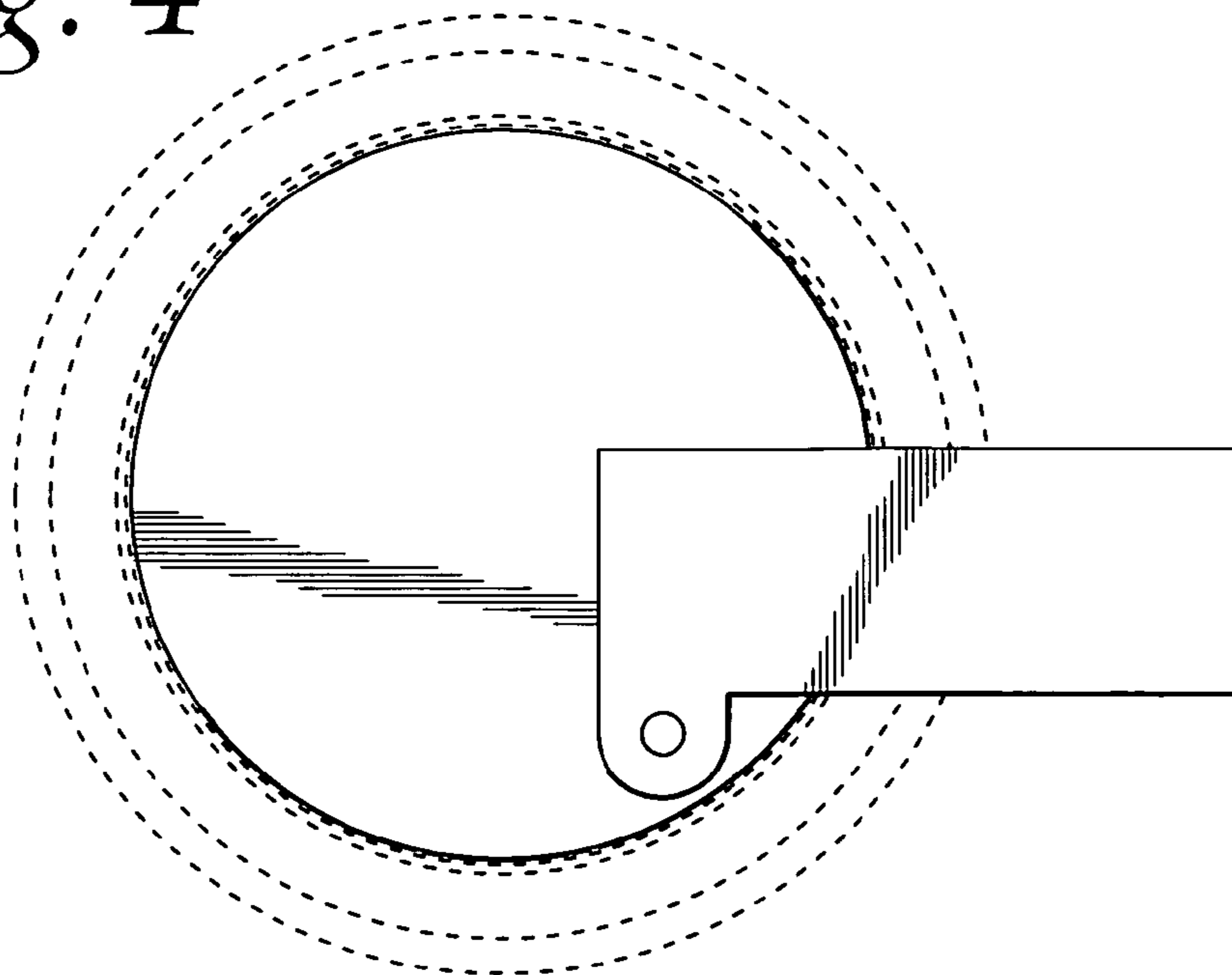


Fig. 5

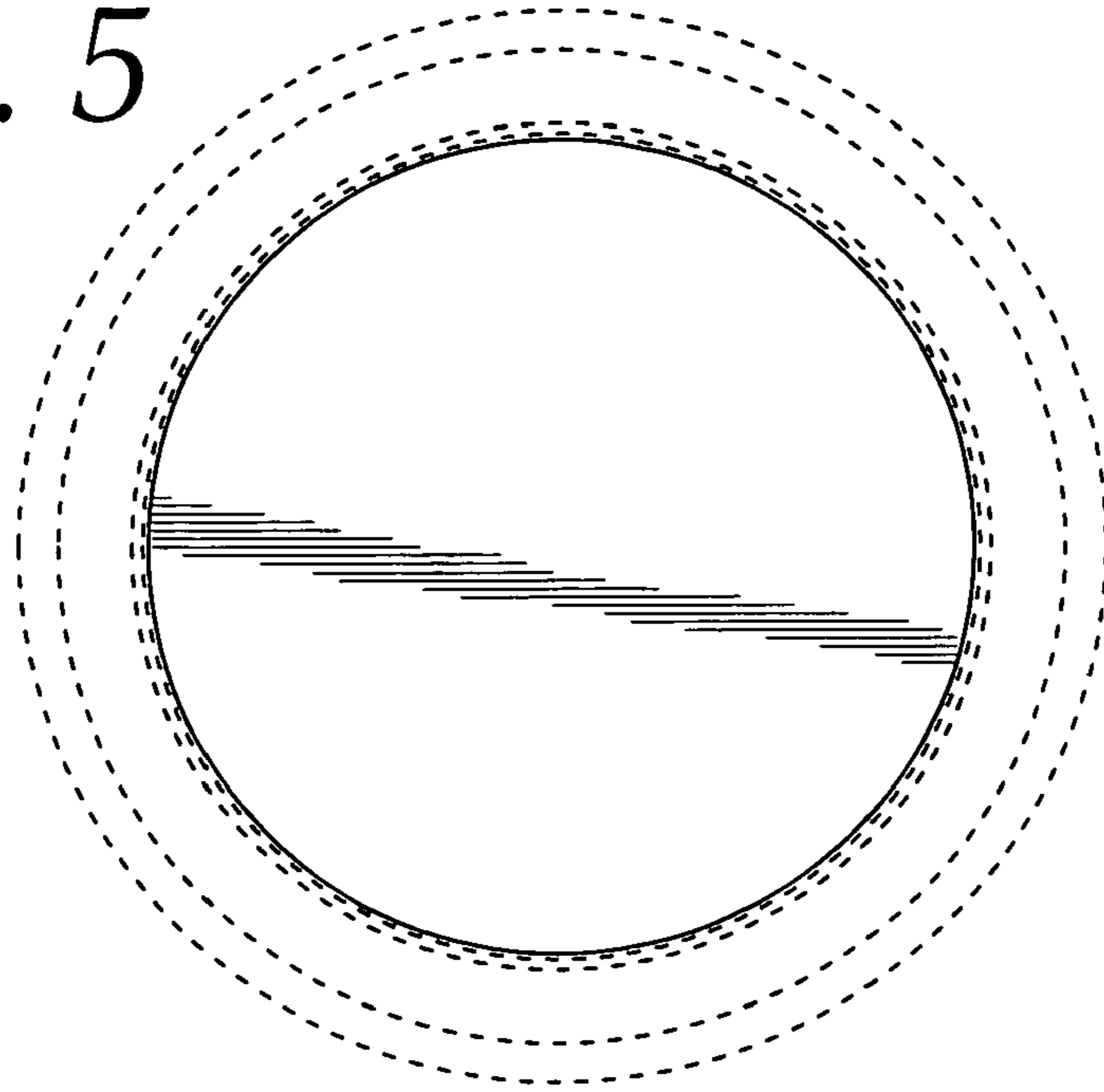


Fig. 6

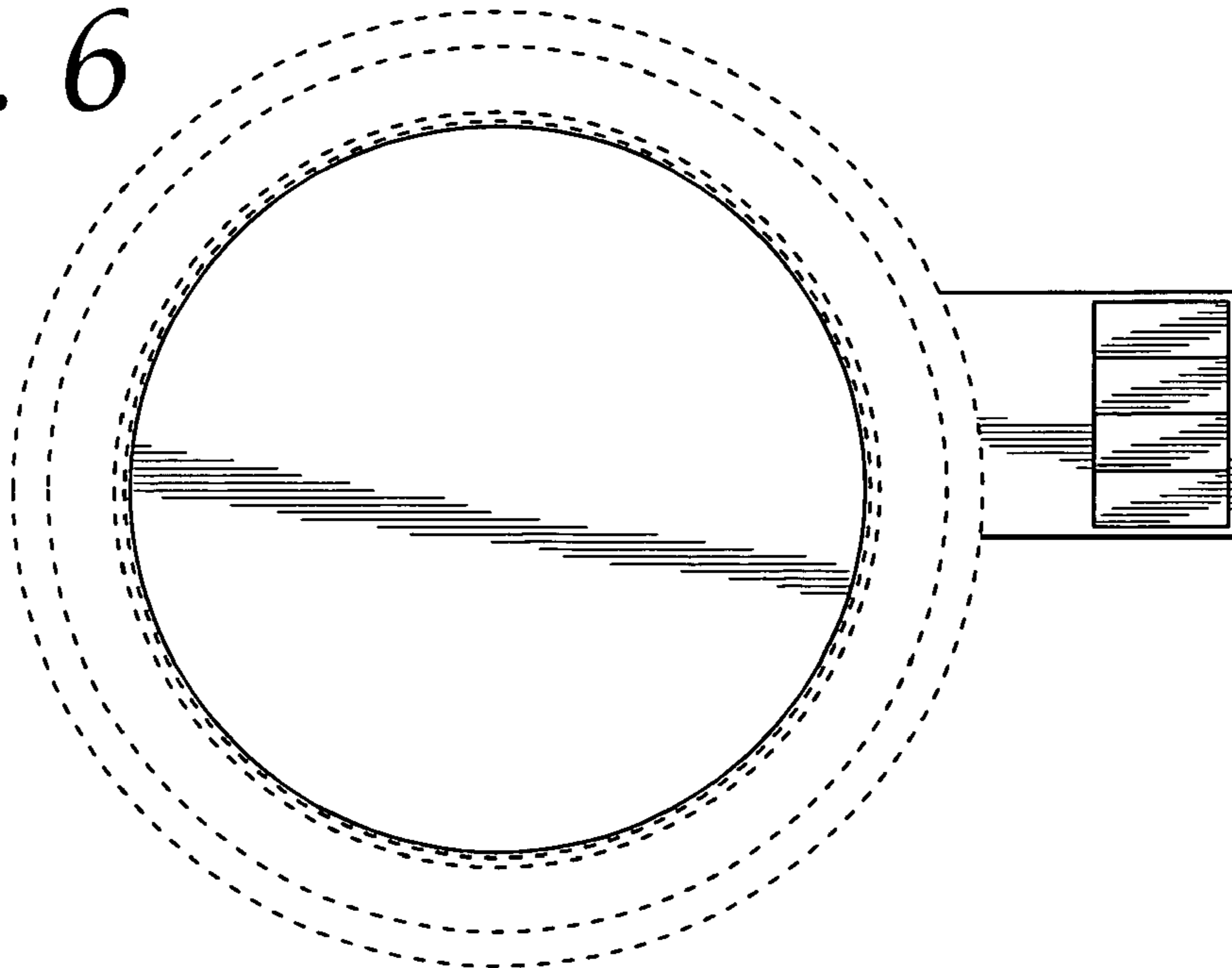


Fig. 7

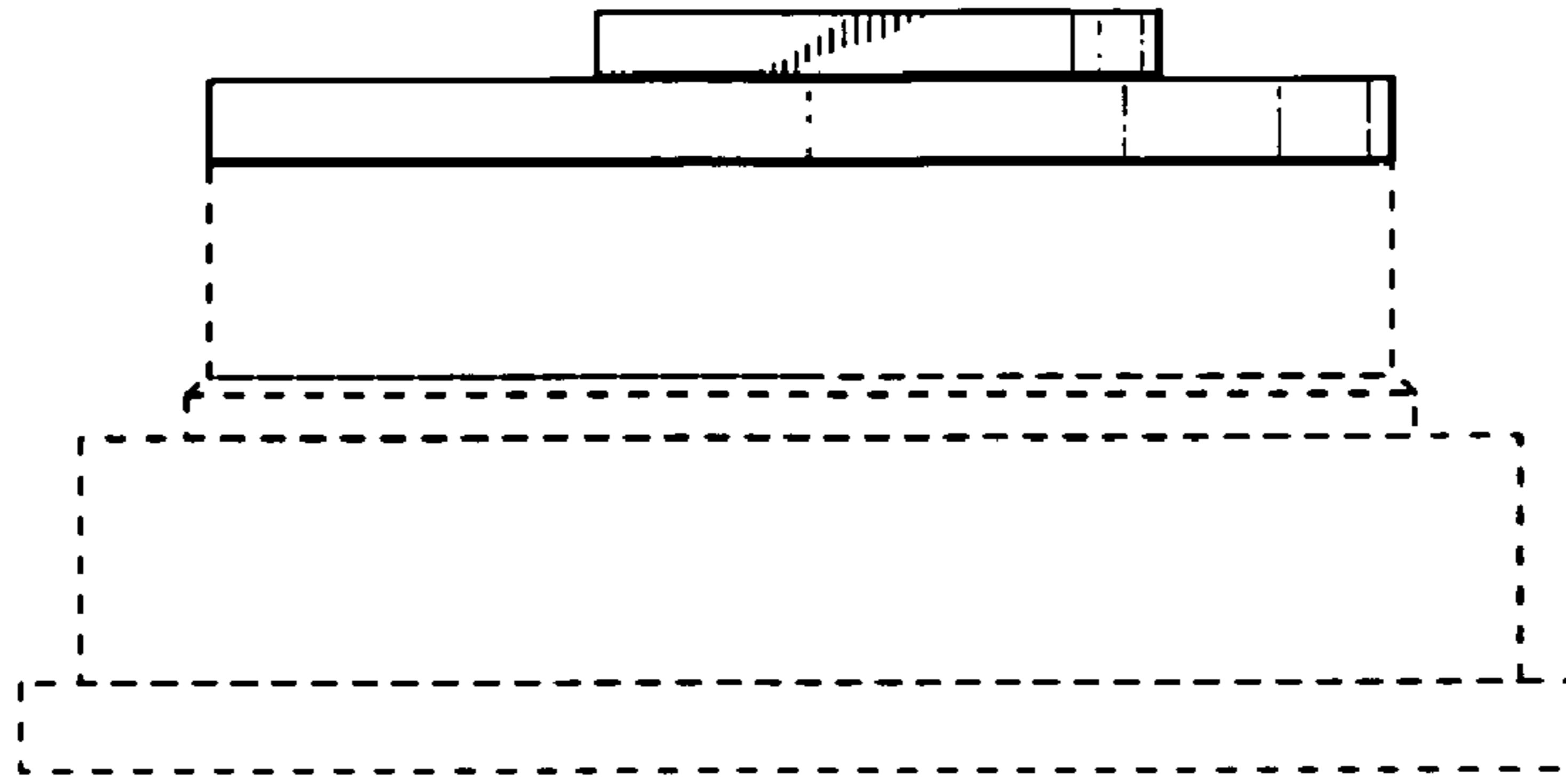


Fig. 8

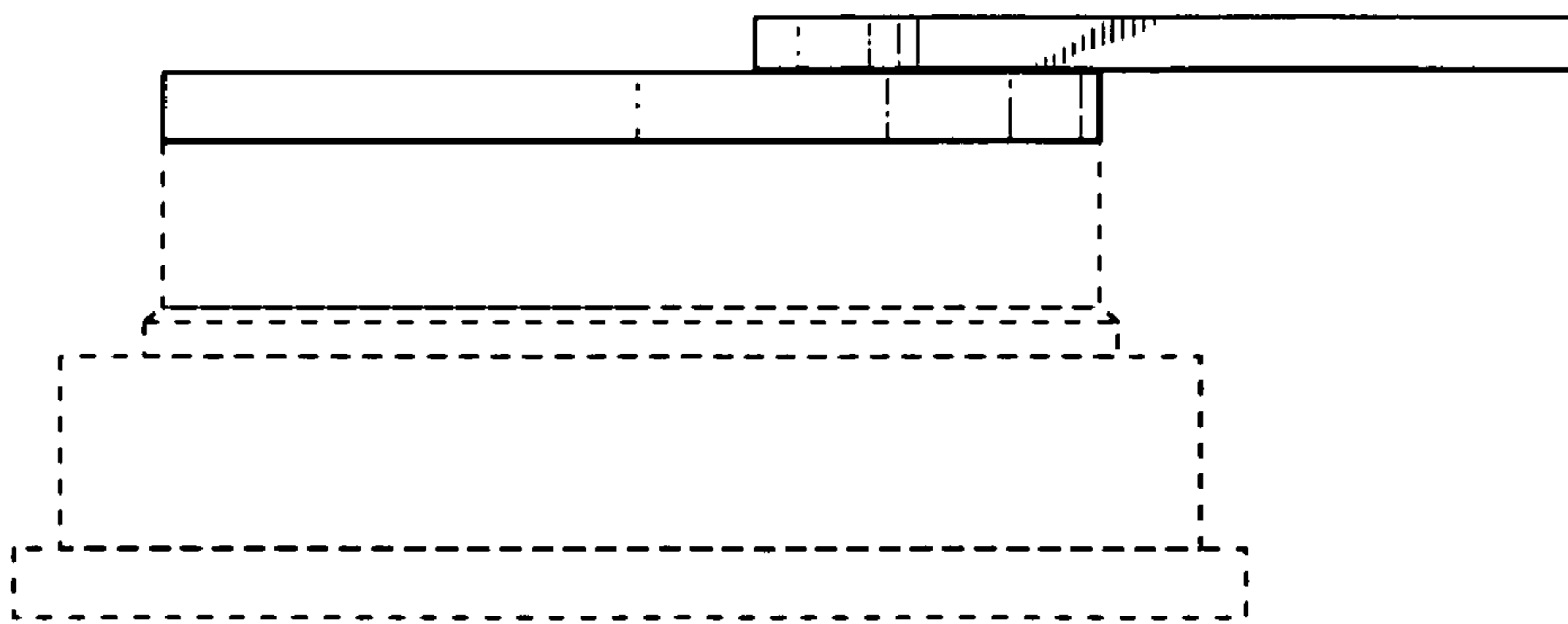


Fig. 9

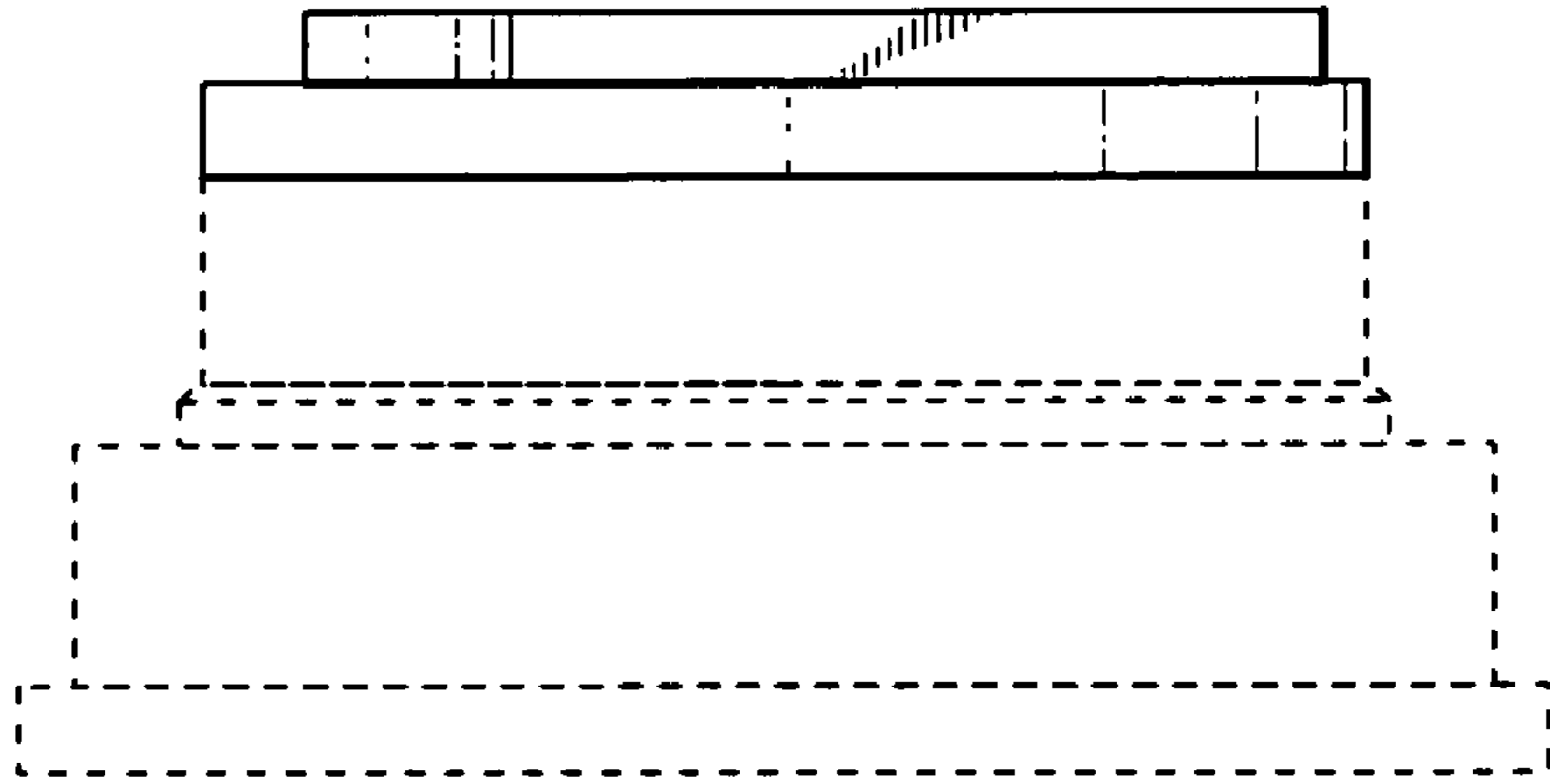


Fig. 10

