



US00D647530S

(12) **United States Design Patent**  
**Busch**

(10) **Patent No.:** **US D647,530 S**

(45) **Date of Patent:** **\*\* Oct. 25, 2011**

(54) **BOTTLE CAP WITH SLIDE-OUT USB DRIVE**

(76) Inventor: **Rebecca S. Busch**, Westmont, IL (US)

(\*\*) Term: **14 Years**

(21) Appl. No.: **29/372,320**

(22) Filed: **Nov. 8, 2010**

(51) **LOC (9) Cl.** ..... **14-02**

(52) **U.S. Cl.** ..... **D14/480.3; D14/480.5; D9/436; D9/454**

(58) **Field of Classification Search** ..... D14/411, D14/433, 435.1, 436, 480.1–480.7, 484.1, D14/137, 155, 203.1–203.8, 240; D3/201, D3/273; D13/107, 108, 133, 154, 184; 710/300, 710/301; 439/131, 135–147; D9/436, 454  
See application file for complete search history.

(56) **References Cited**

**U.S. PATENT DOCUMENTS**

D451,924	S	*	12/2001	Chu	.....	D14/436
D512,060	S	*	11/2005	Wang et al.	.....	D14/480.1
D518,483	S	*	4/2006	Yu et al.	.....	D14/436
D545,166	S	*	6/2007	Laaper	.....	D8/105
7,232,318	B2	*	6/2007	Wang	.....	439/135
D553,131	S	*	10/2007	Dal Porto et al.	.....	D14/480.2
D555,158	S	*	11/2007	Lo	.....	D14/480.5
D558,199	S	*	12/2007	Fiorentino	.....	D14/436
D559,248	S	*	1/2008	Heshes et al.	.....	D14/480.5
D577,582	S	*	9/2008	Walsh et al.	.....	D9/443
7,558,069	B2	*	7/2009	Chung	.....	361/737
7,740,494	B2	*	6/2010	Lin et al.	.....	439/131

**OTHER PUBLICATIONS**

TechEBlog >> Memorex FlashDisc, p. 1 [online] posted Mar. 16, 2006 [retrieved on Jun. 20, 2007]. Retrieved from the Internet <URL: <http://www.techeblog.com/index.php/tech-gadget/memorex-flashdisc>>.\*

USB Flash Drive Style Sphere, p. 1 [online], [retrieved on Dec. 13, 2006]. Retrieved from the Internet <URL: <http://www.memorysuppliers.com/noname4.html>>.\*

\* cited by examiner

*Primary Examiner* — Cathron Brooks

*Assistant Examiner* — Karen E Kearney

(74) *Attorney, Agent, or Firm* — Ryndak & Suri LLP

(57) **CLAIM**

I claim the ornamental design for a bottle cap with slide-out USB drive, as shown and described.

**DESCRIPTION**

FIG. 1 is a perspective view of the bottle cap with slide-out USB drive of the invention with the USB drive in the closed (in) position;

FIG. 2 is a perspective view thereof with the USB drive in the open (out) position;

FIG. 3 is a top plan view thereof with the USB drive in the closed (in) position;

FIG. 4 is a top plan view thereof with the USB drive in the open (out) position;

FIG. 5 is a bottom plan view thereof with the USB drive in the closed (in) position;

FIG. 6 is a bottom plan view thereof with the USB drive in the open (out) position;

FIG. 7 is a front elevation view thereof;

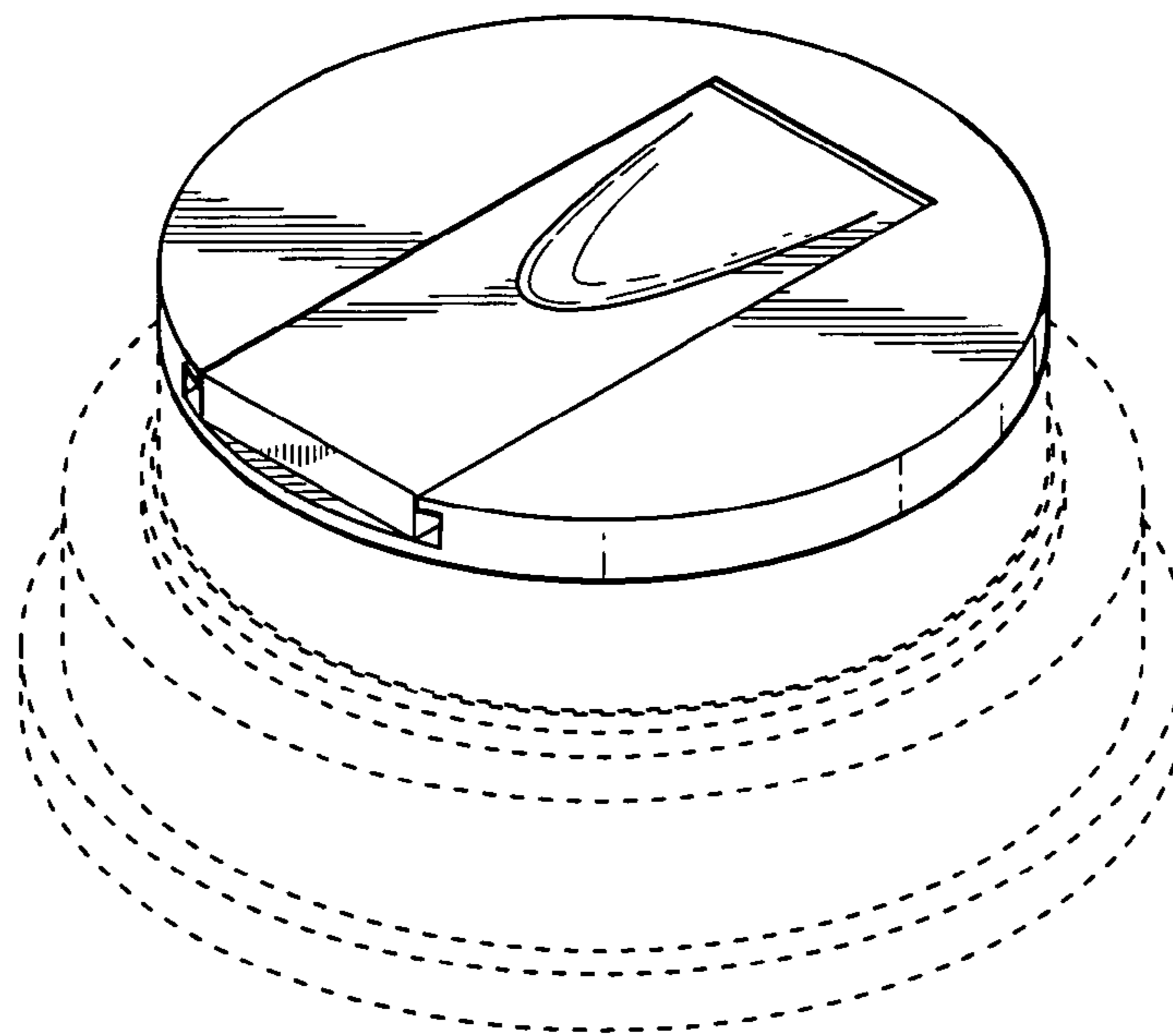
FIG. 8 is a rear elevation view thereof;

FIG. 9 is a right side elevation view thereof; and,

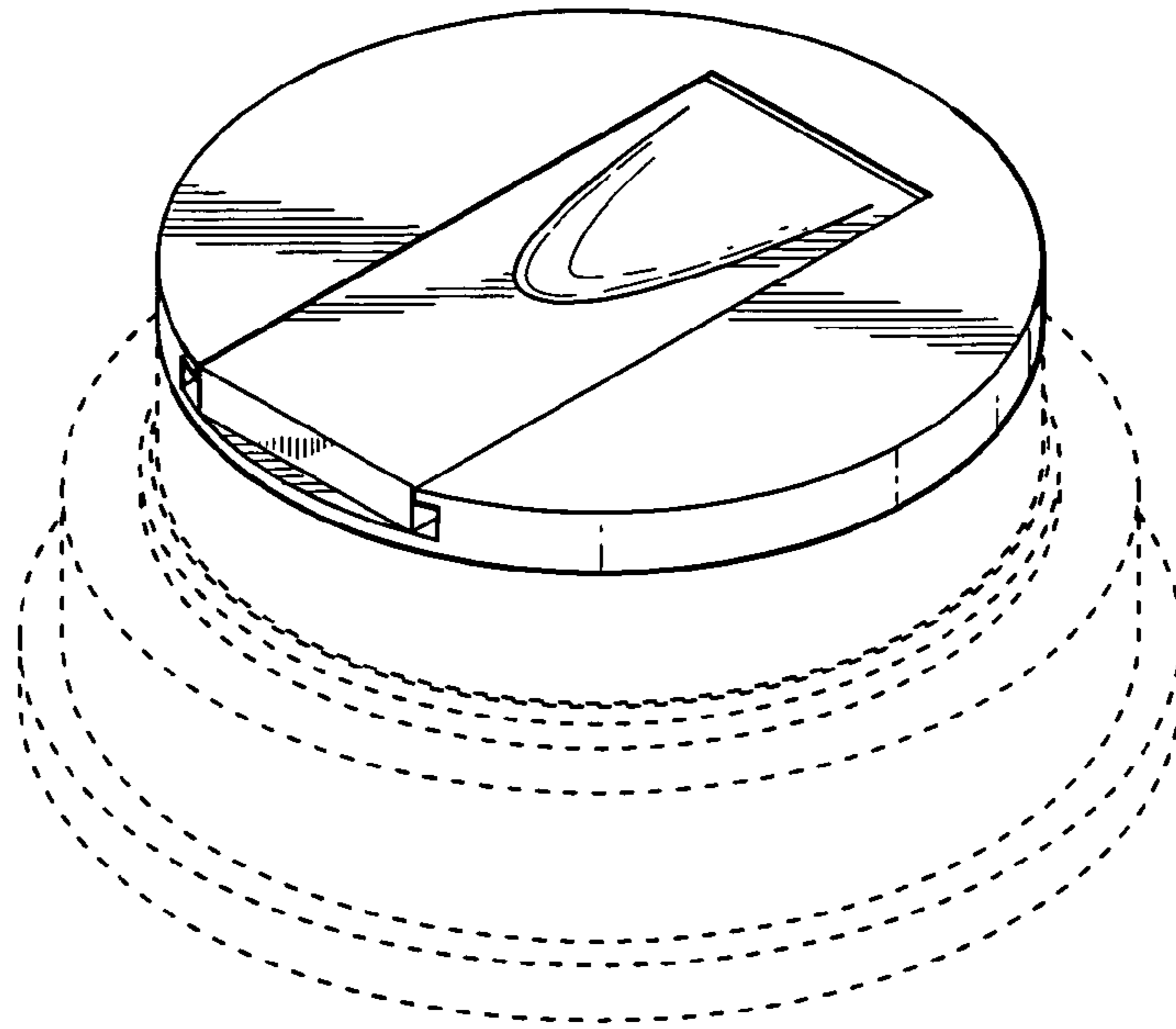
FIG. 10 is a left side elevation view thereof.

The broken lines in the drawings show environmental structure and form no part of the claimed design.

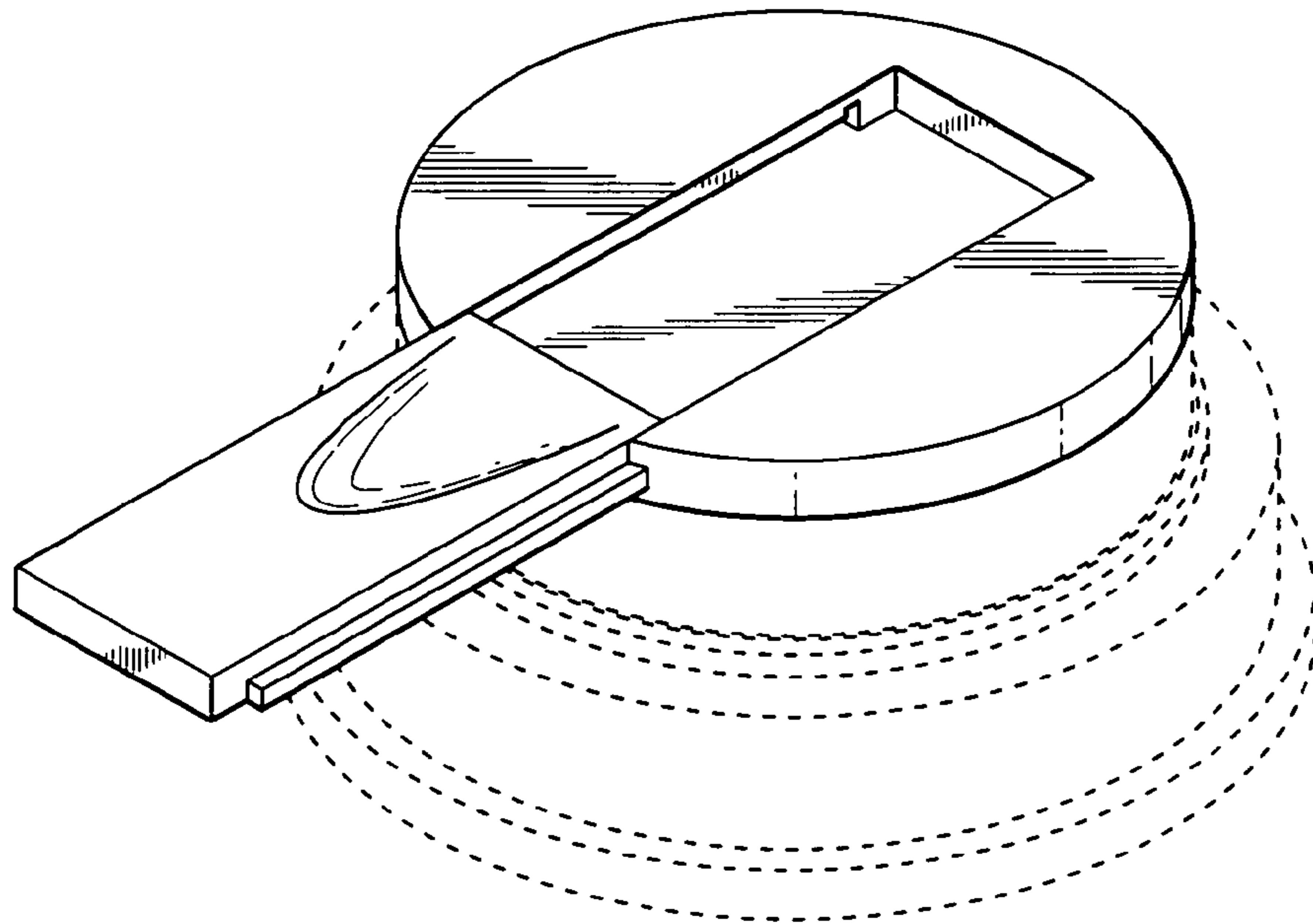
**1 Claim, 5 Drawing Sheets**



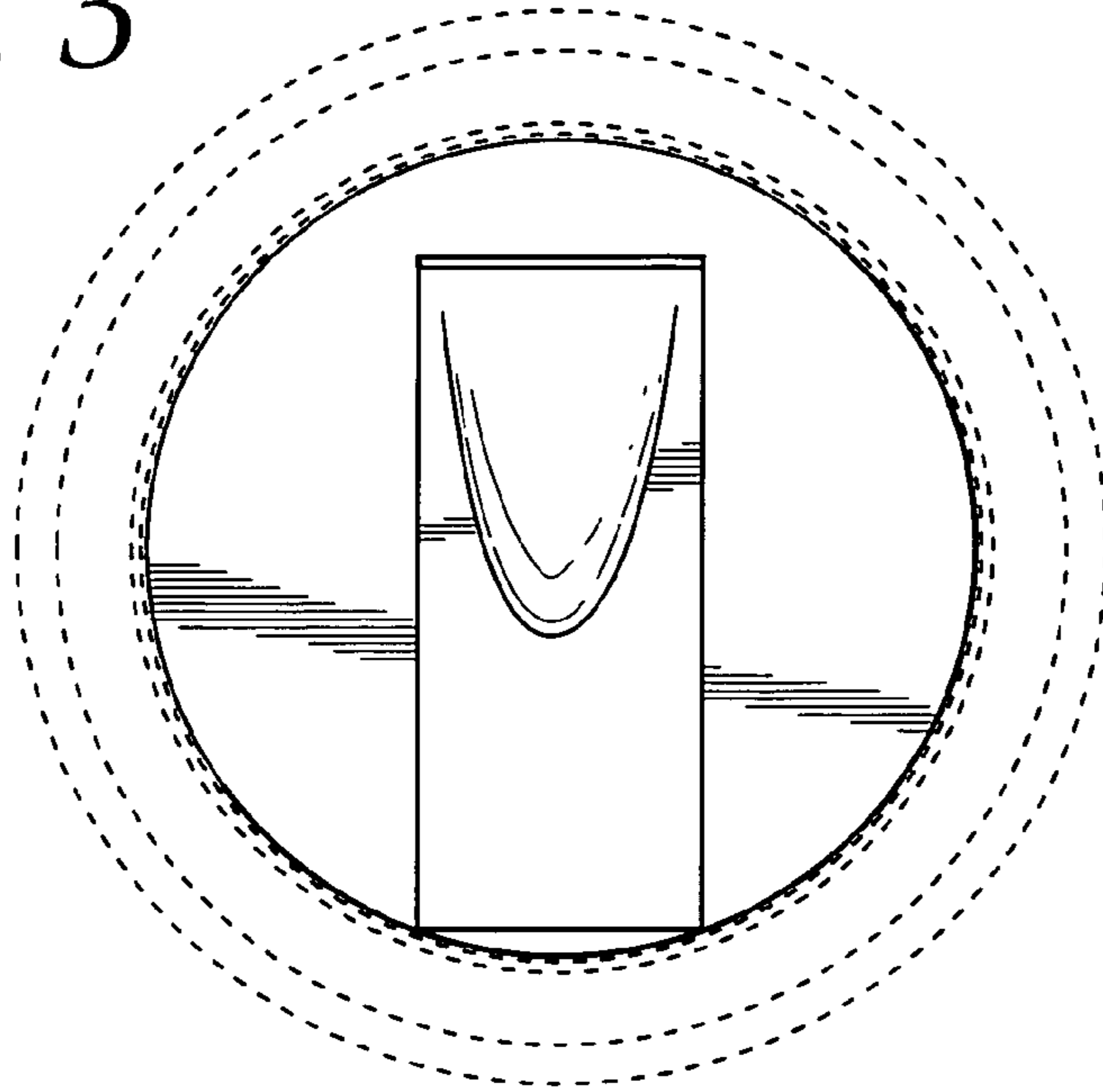
*Fig. 1*



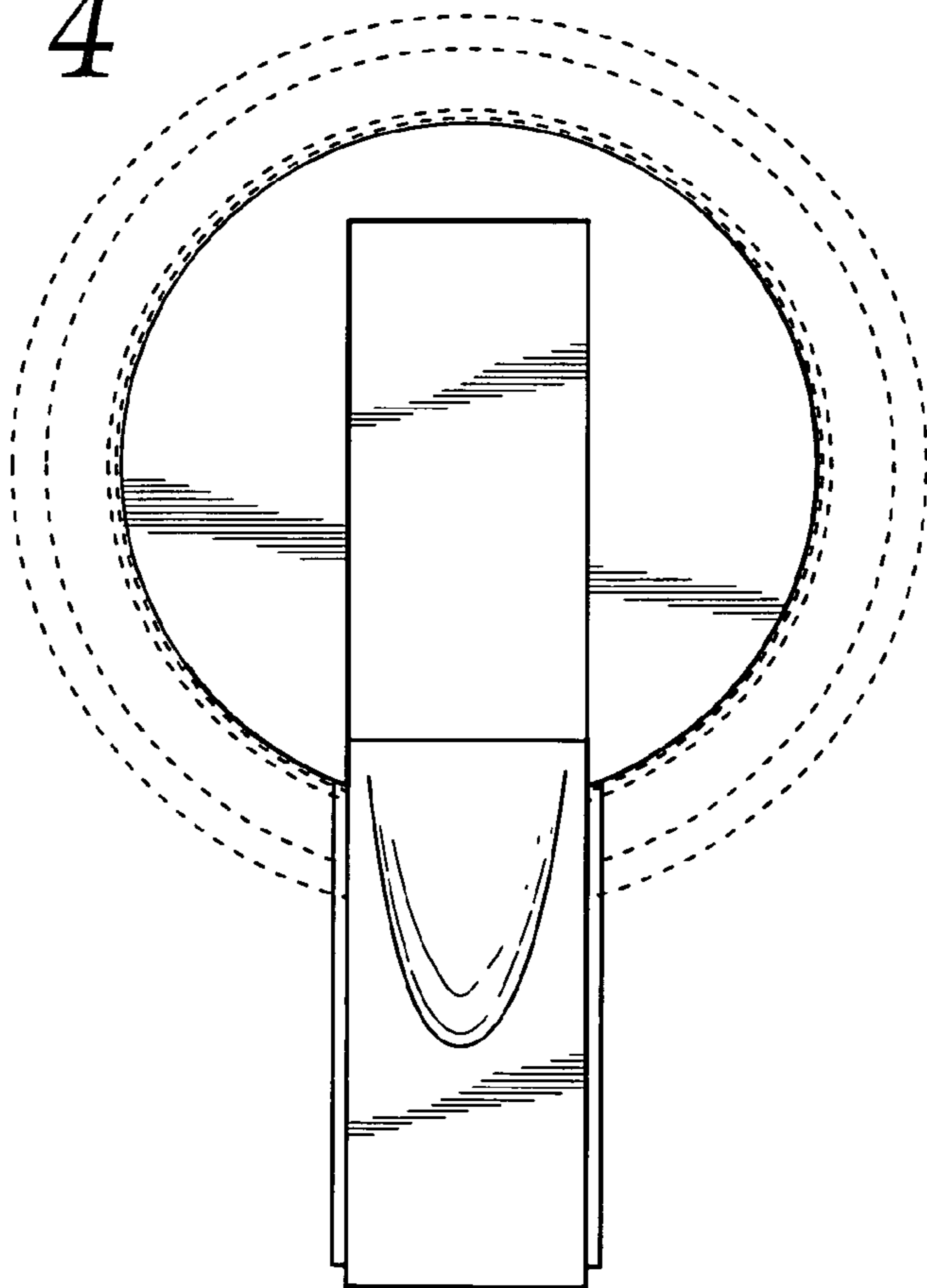
*Fig. 2*



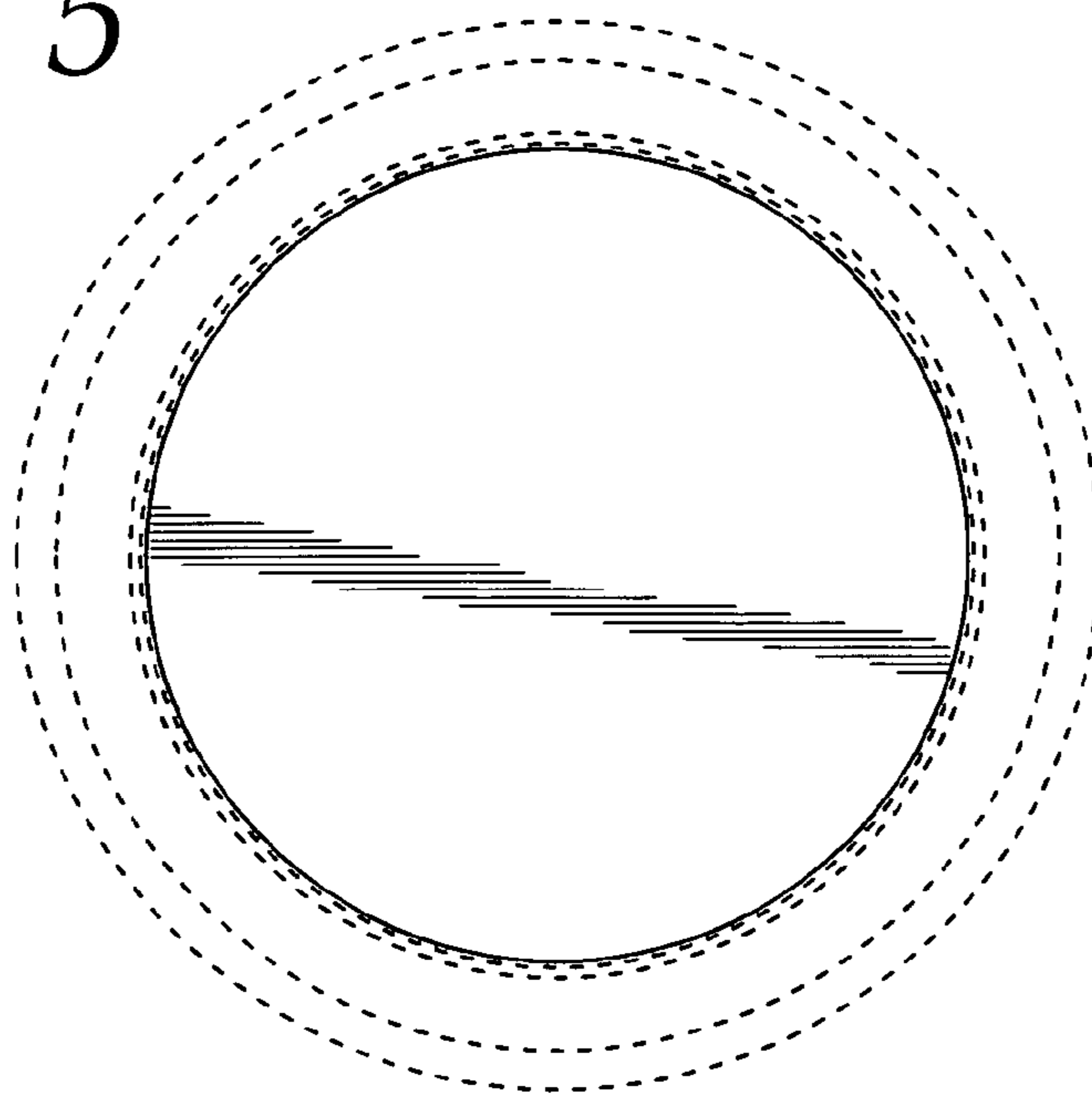
*Fig. 3*



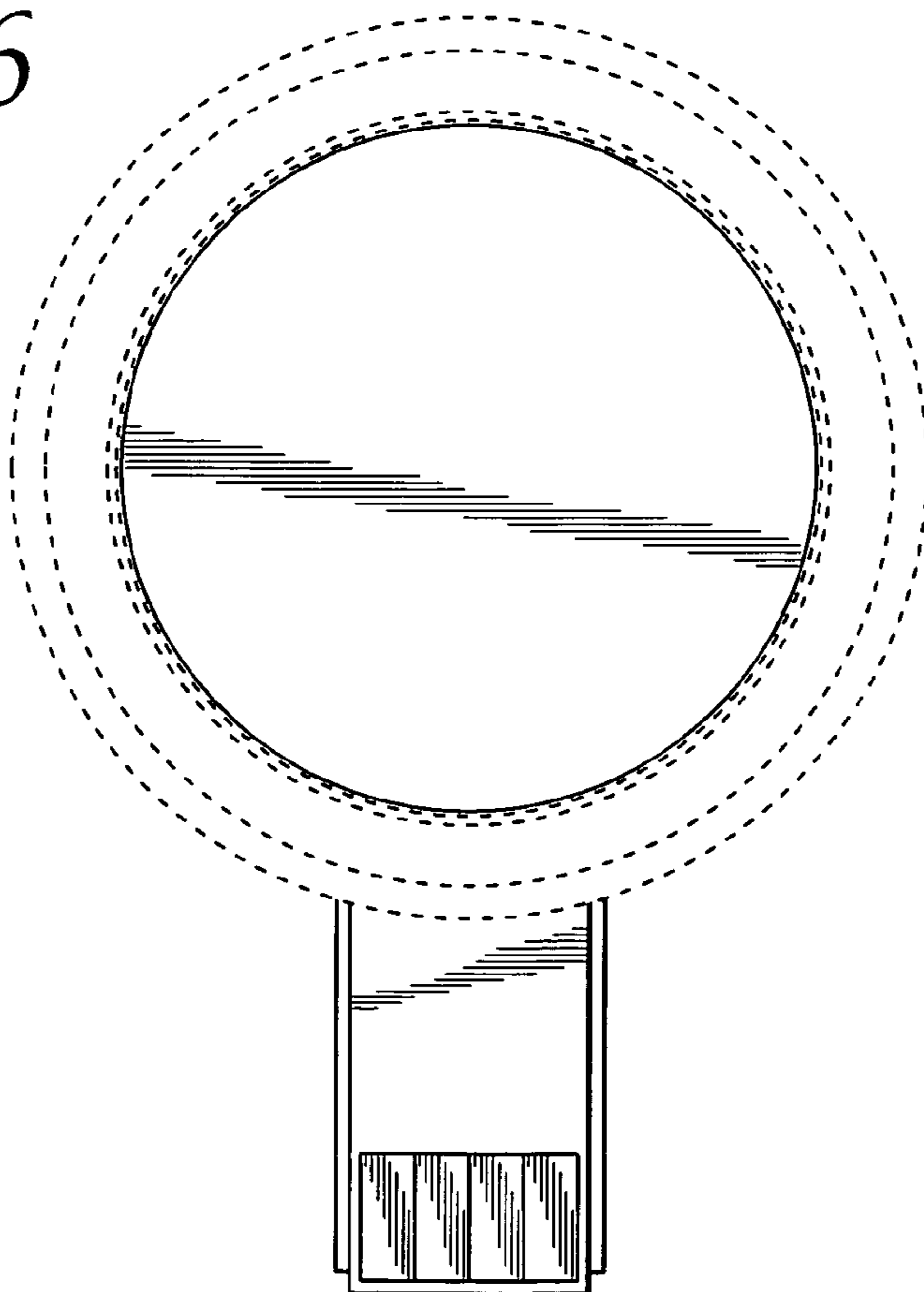
*Fig. 4*



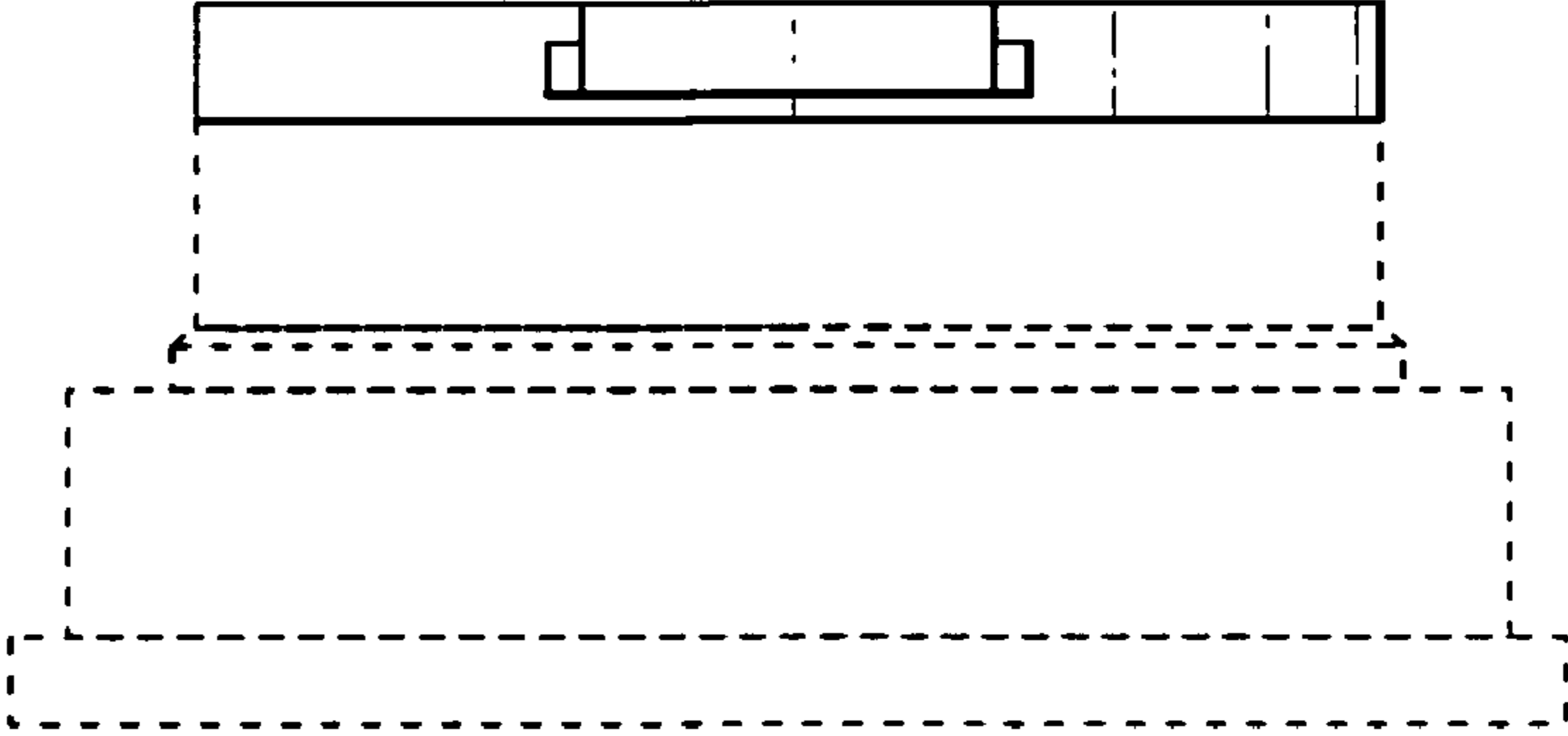
*Fig. 5*



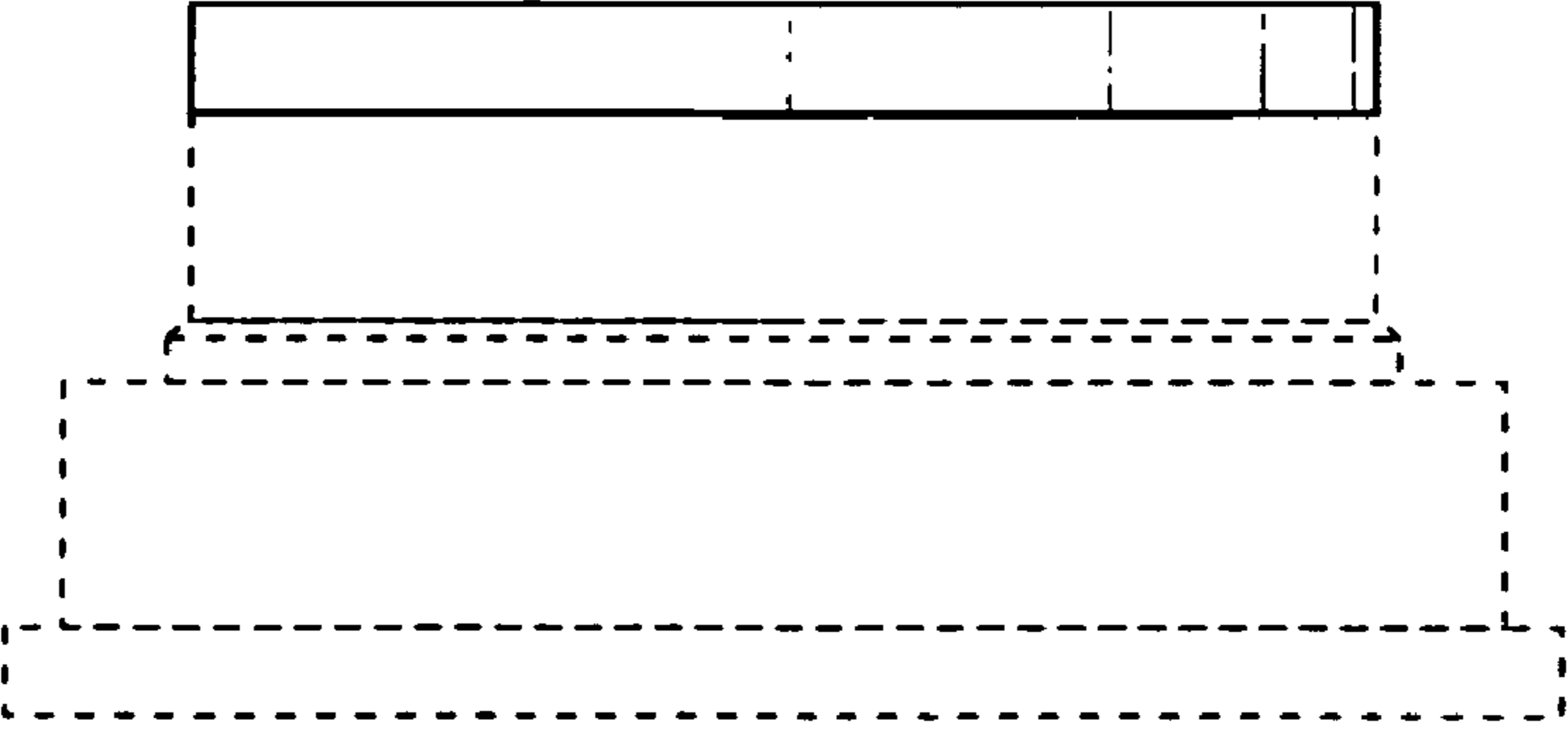
*Fig. 6*



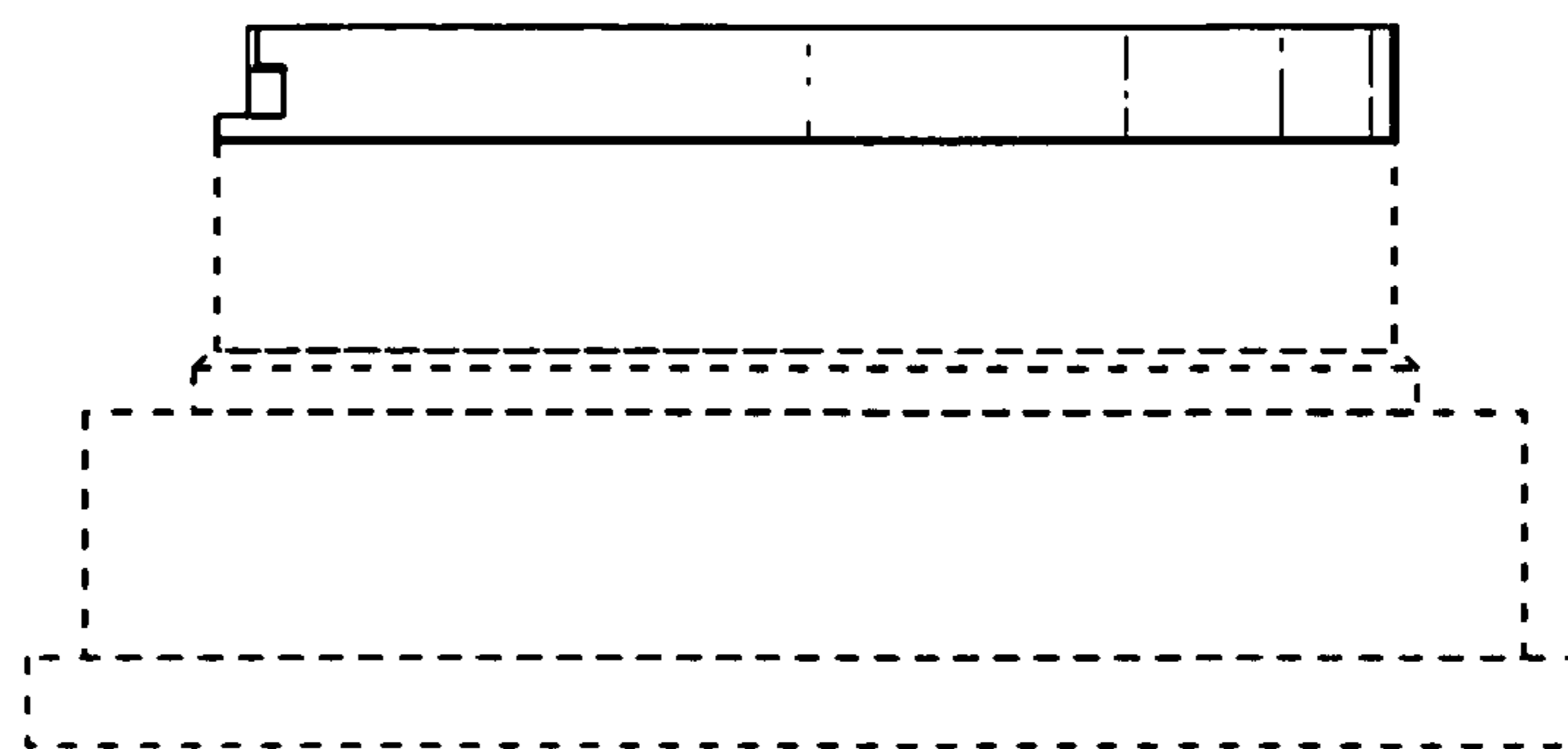
*Fig. 7*



*Fig. 8*



*Fig. 9*



*Fig. 10*

