

US00D647529S

(12) **United States Design Patent**
Busch

(10) **Patent No.:** **US D647,529 S**

(45) **Date of Patent:** **** Oct. 25, 2011**

(54) **BOTTLE CAP WITH DETACHABLE USB DRIVE**

(76) Inventor: **Rebecca S. Busch**, Westmont, IL (US)

(**) Term: **14 Years**

(21) Appl. No.: **29/372,319**

(22) Filed: **Nov. 8, 2010**

(51) **LOC (9) Cl.** **14-02**

(52) **U.S. Cl.** **D14/480.3; D14/480.5; D9/436; D9/454**

(58) **Field of Classification Search** D14/411, D14/433, 435.1, 436, 480.1–480.7, 484.1, D14/137, 155, 203.1–203.8, 240; D3/201, D3/273; D13/107, 108, 133, 154, 184; 710/300, 710/301; 439/131, 135–147; D9/436, 454
See application file for complete search history.

(56) **References Cited**

U.S. PATENT DOCUMENTS

D451,924 S *	12/2001	Chu	D14/436
D512,060 S *	11/2005	Wang et al.	D14/480.1
D545,166 S *	6/2007	Laaper	D8/105
7,232,318 B2 *	6/2007	Wang	439/135
D553,131 S *	10/2007	Dal Porto et al.	D14/480.2
D558,199 S *	12/2007	Fiorentino	D14/436
D559,248 S *	1/2008	Heshes et al.	D14/480.5
D574,384 S *	8/2008	Knoch	D14/436
7,556,512 B2 *	7/2009	Wu et al.	439/135
7,558,069 B2 *	7/2009	Chung	361/737
D603,410 S *	11/2009	Knoch	D14/436
7,740,494 B2 *	6/2010	Lin et al.	439/131

OTHER PUBLICATIONS

10 Stupid And/Or Cool USB Flash Drives : EveryJoe—Sports News—Tech Reviews—Entertainment—Life Tips for EveryJoe, [online] posted May 5, 2009 [retrieved on Nov. 2, 2009]. Retrieved

from the Internet <URL: <http://www.everyjoe.com/articles/10-stupid-and-or-cool-usb-flash-drives/>>.*

TechEBlog >> Memorex FlashDisc, [online] posted Mar. 16, 2006 [retrieved on Jun. 20, 2007]. Retrieved from the Internet <URL: <http://www.techeblog.com/index.php/tech-gadget/memorex-flashdisc>>.*

USB Flash Drive Style Sphere, [online], [retrieved on Dec. 13, 2006]. Retrieved from the Internet <URL: <http://www.memorysuppliers.com/noname4.html>>.*

* cited by examiner

Primary Examiner — Cathron Brooks

Assistant Examiner — Karen E Kearney

(74) *Attorney, Agent, or Firm* — Ryndak & Suri LLP

(57) **CLAIM**

I claim the ornamental design for a bottle cap with detachable USB drive, as shown and described.

DESCRIPTION

FIG. 1 is a perspective view of the bottle cap with detachable USB drive of the invention with the USB drive attached;

FIG. 2 is a perspective view thereof with the USB drive detached;

FIG. 3 is a top plan view thereof with the USB drive attached;

FIG. 4 is a top plan view thereof with the USB drive detached;

FIG. 5 is a bottom plan view thereof with the USB drive attached;

FIG. 6 is a bottom plan view thereof with the USB drive detached;

FIG. 7 is a front elevation view thereof;

FIG. 8 is a rear elevation view thereof;

FIG. 9 is a right side elevation view thereof; and,

FIG. 10 is a left side elevation view thereof.

The broken lines in the drawings show environmental structure and form no part of the claimed design.

1 Claim, 5 Drawing Sheets

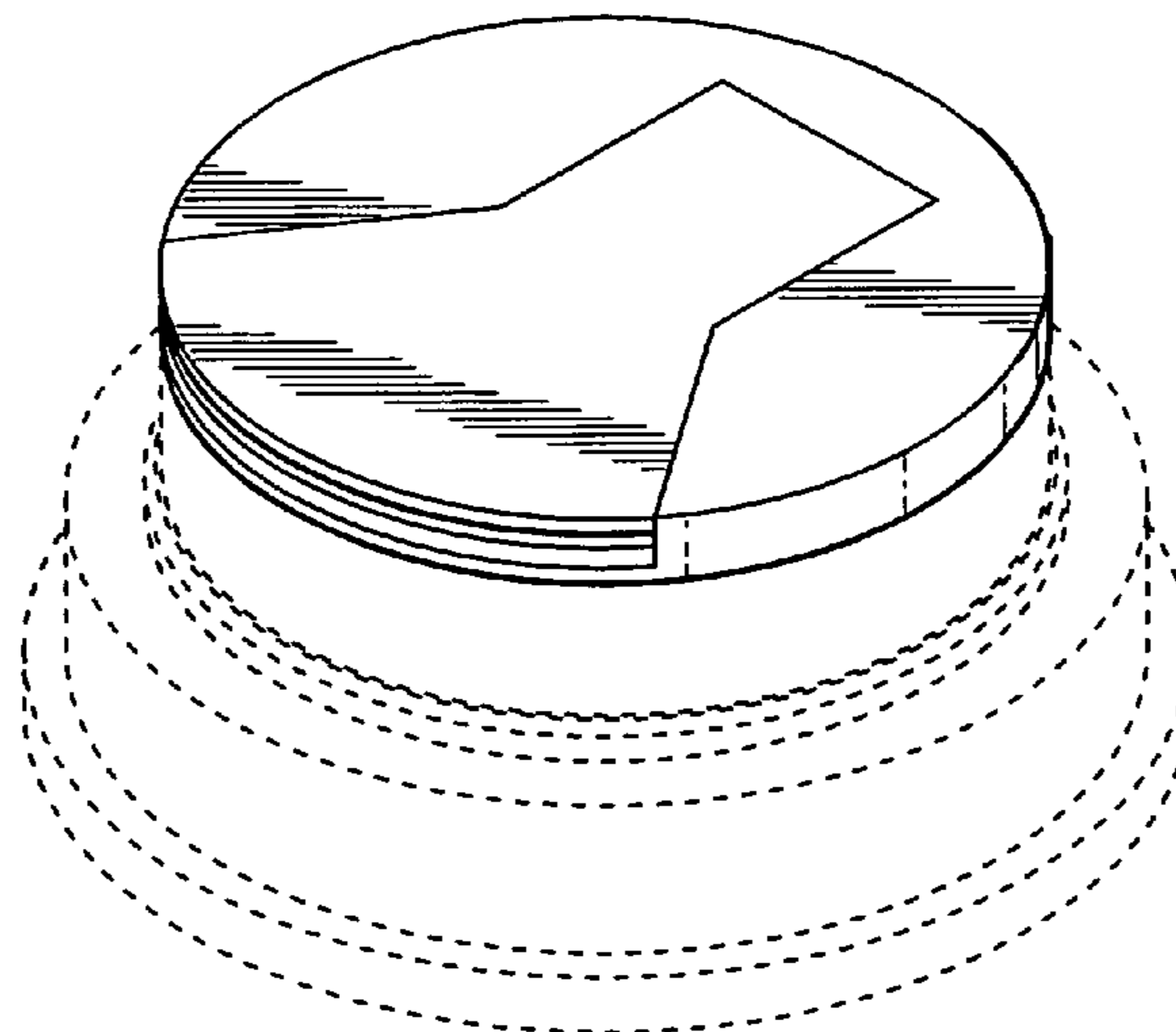


Fig. 1

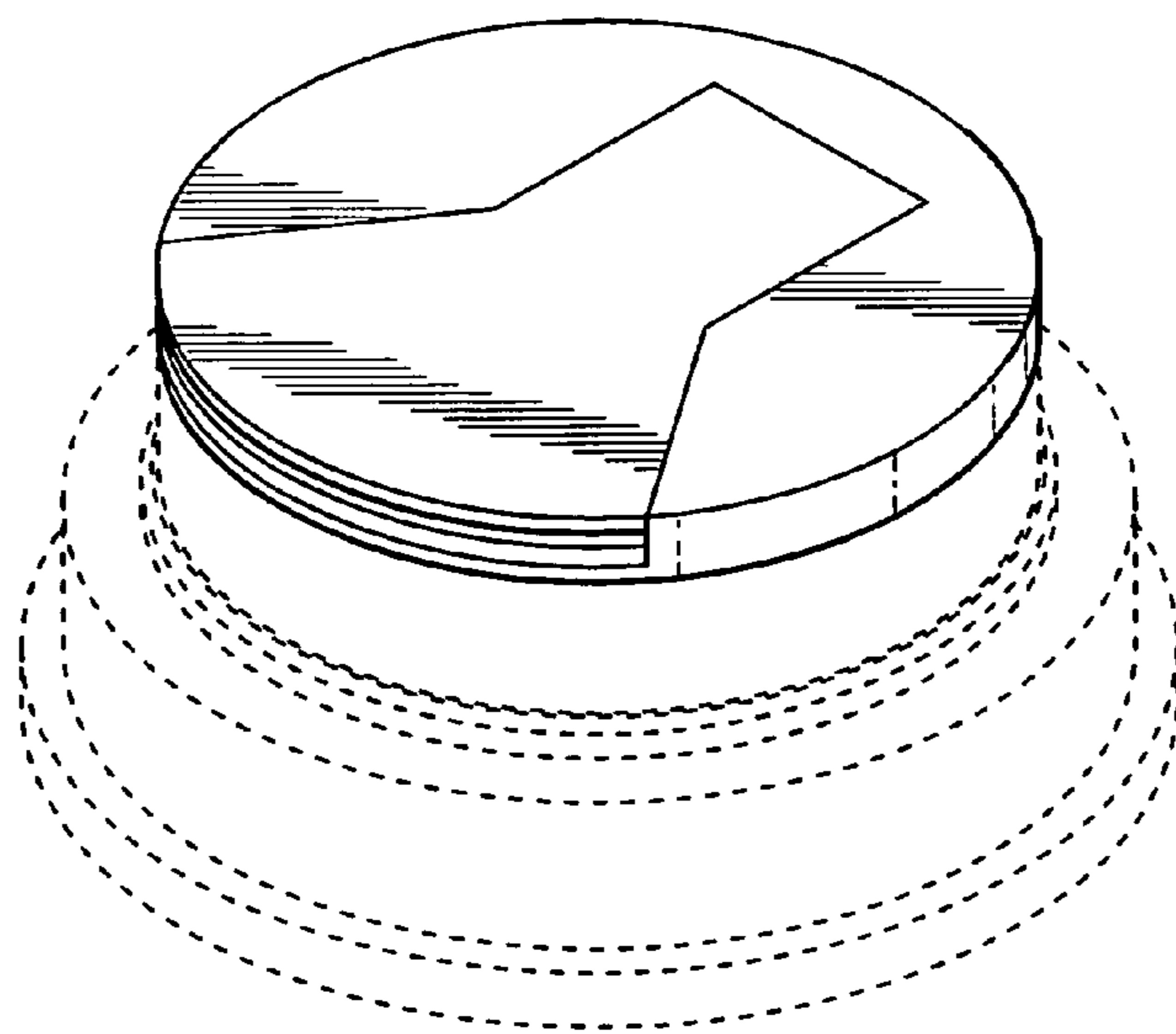


Fig. 2

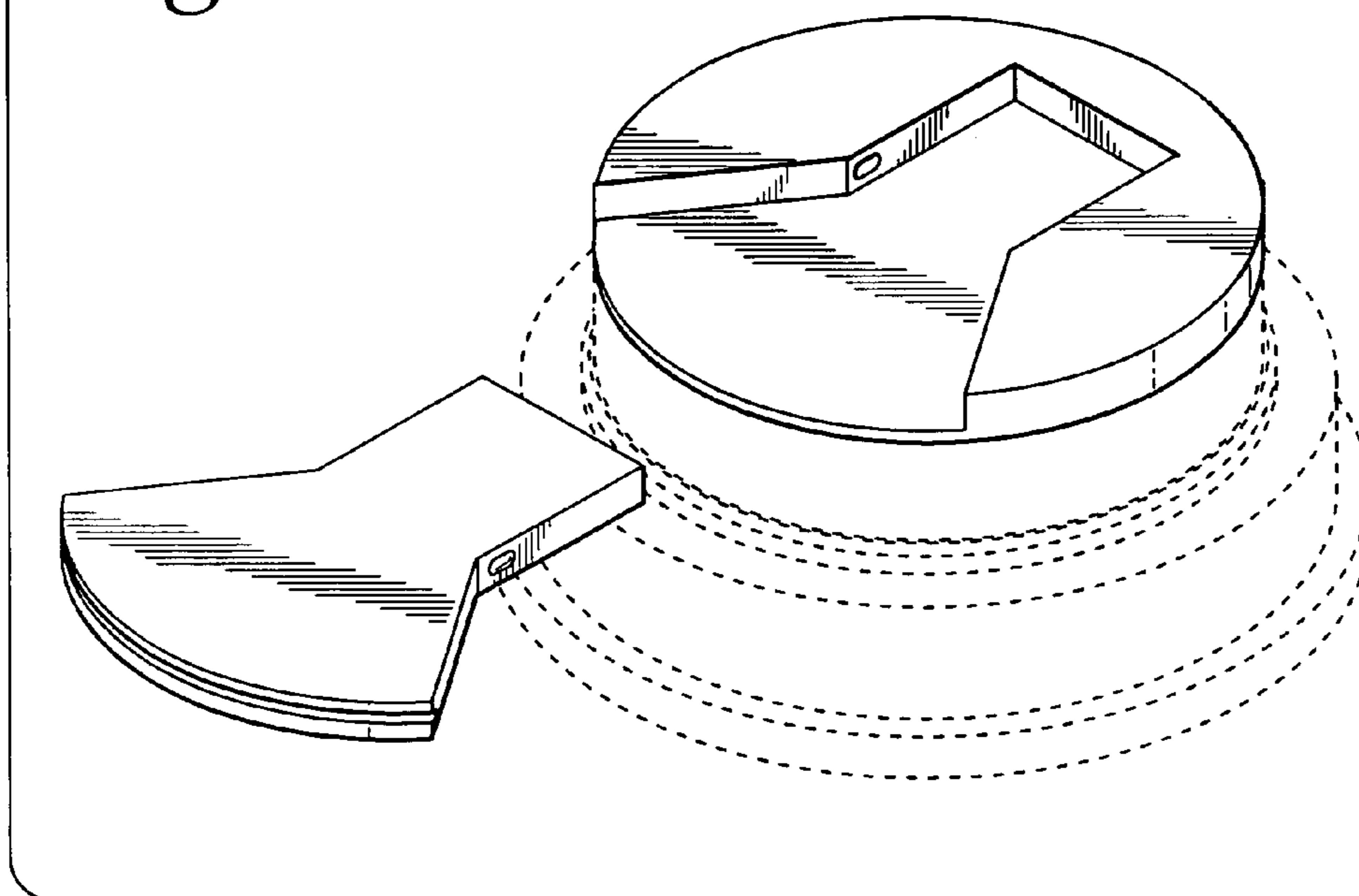


Fig. 3

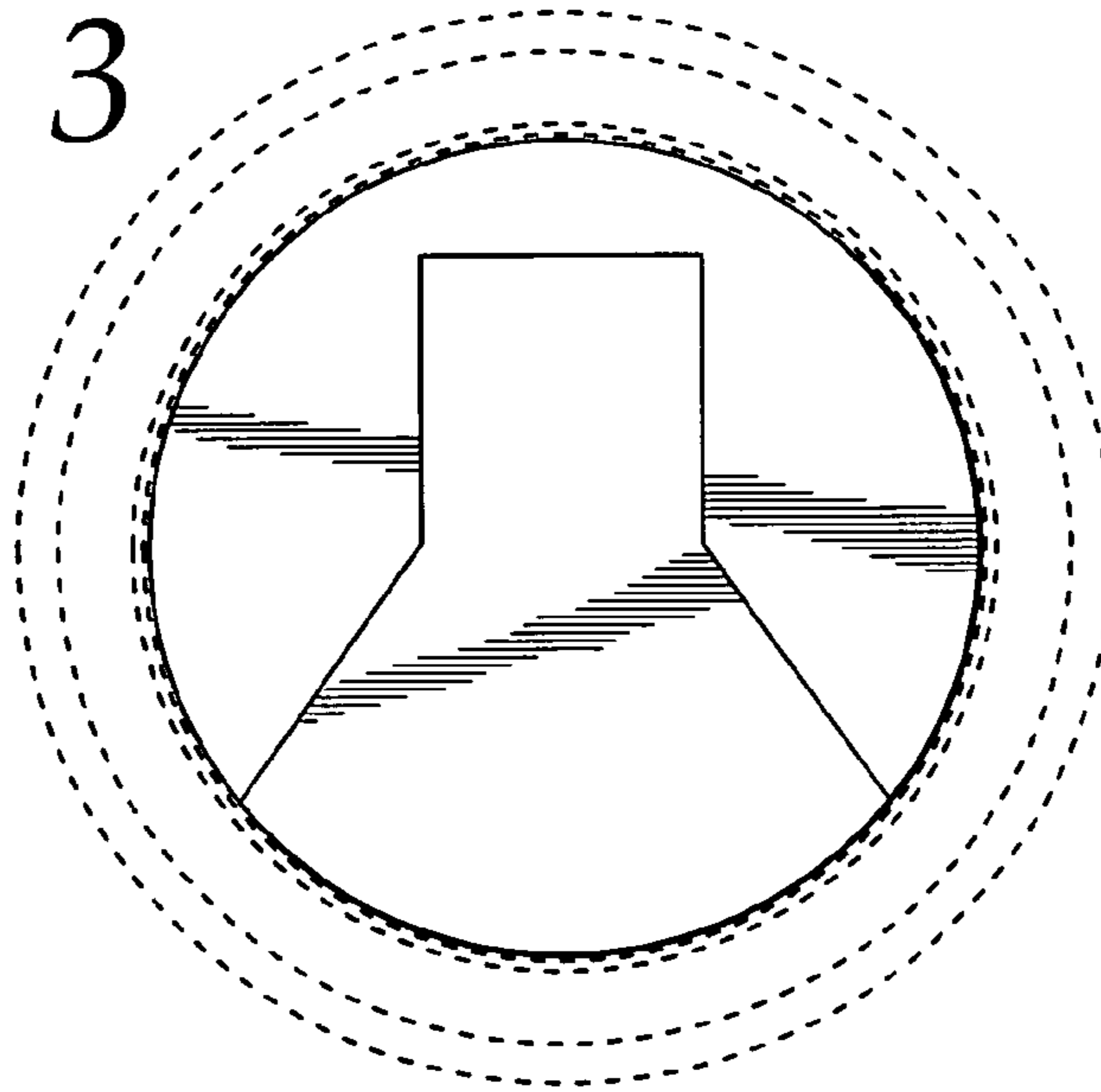


Fig. 4

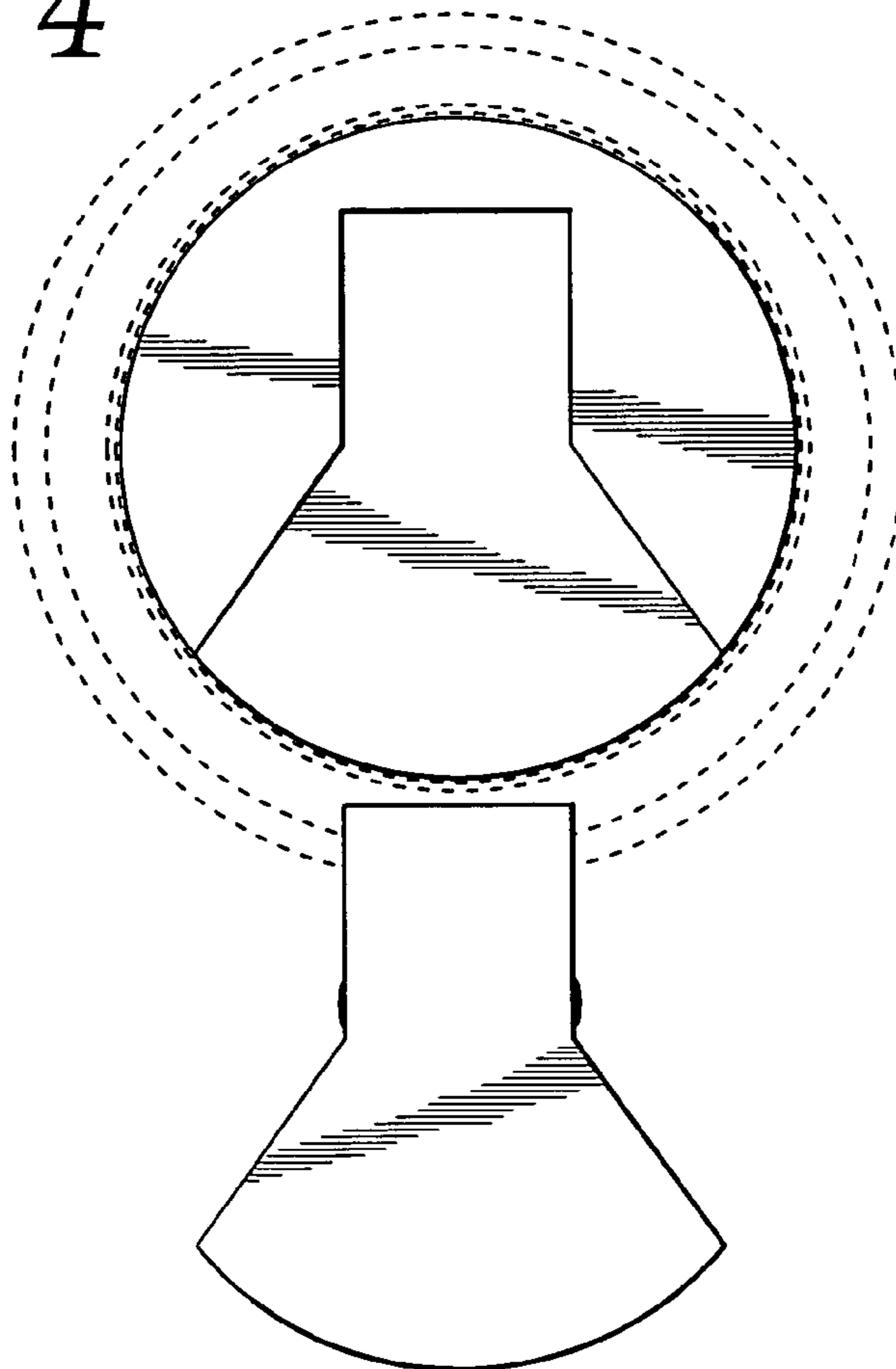


Fig. 5

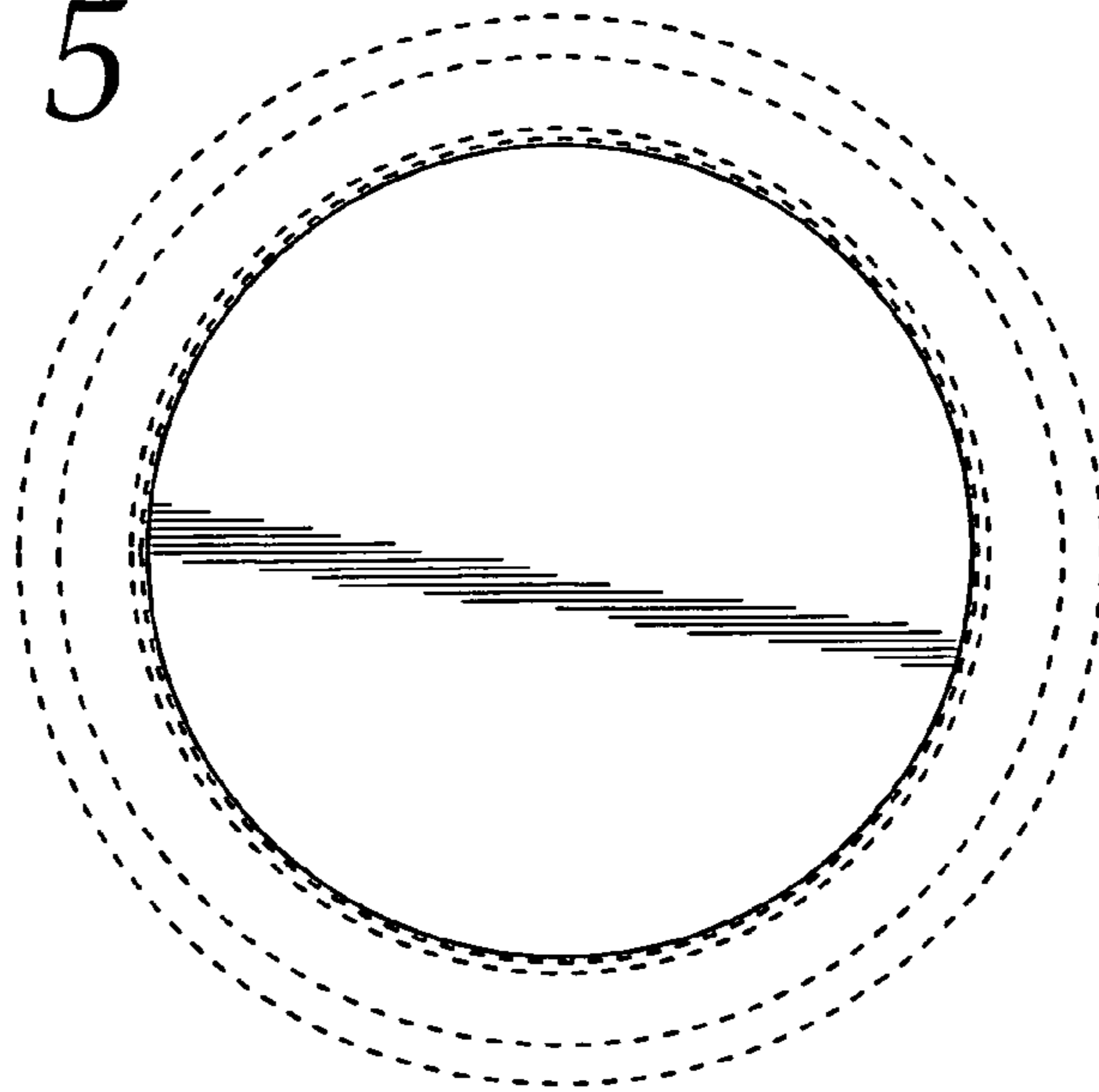


Fig. 6

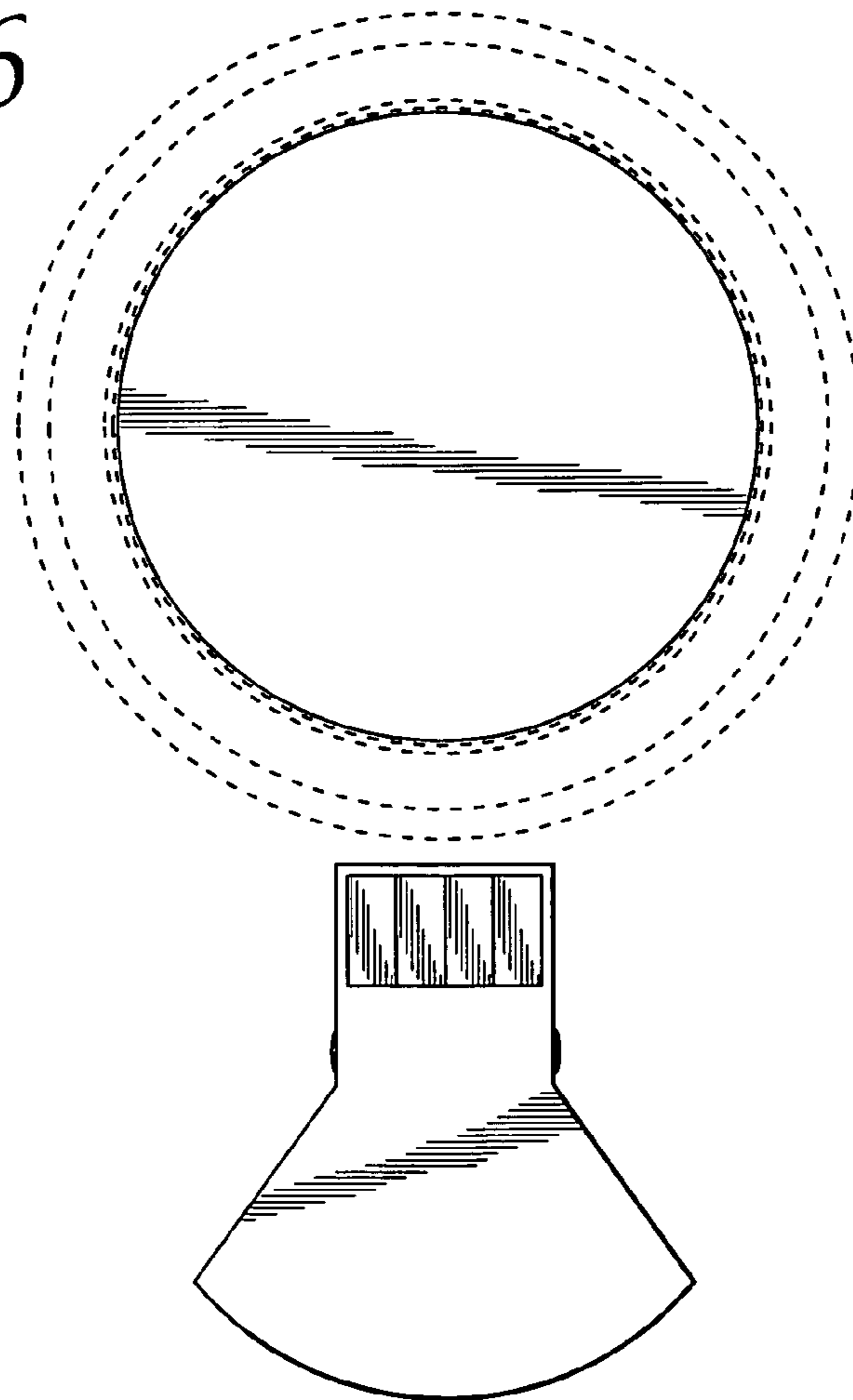


Fig. 7



Fig. 8

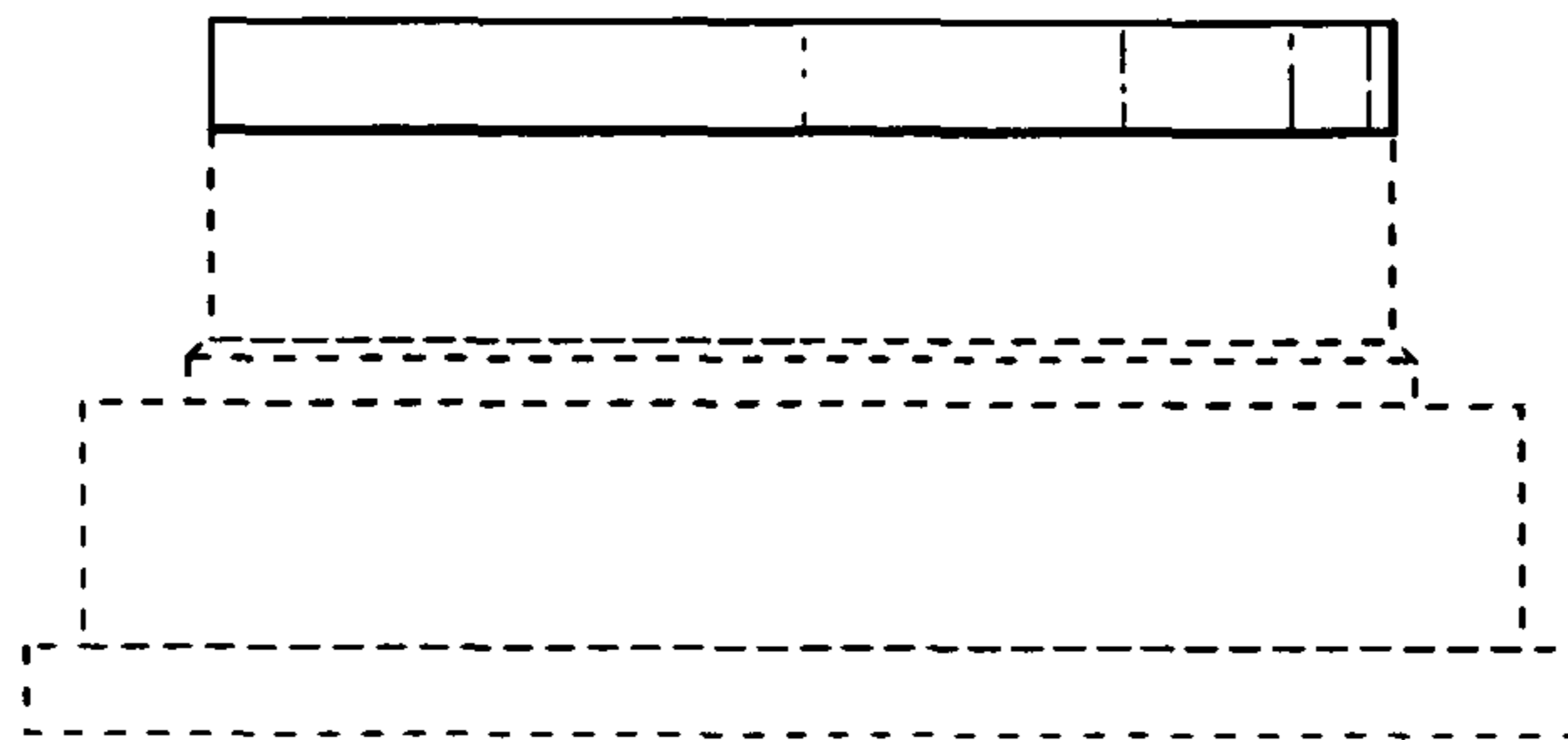


Fig. 9

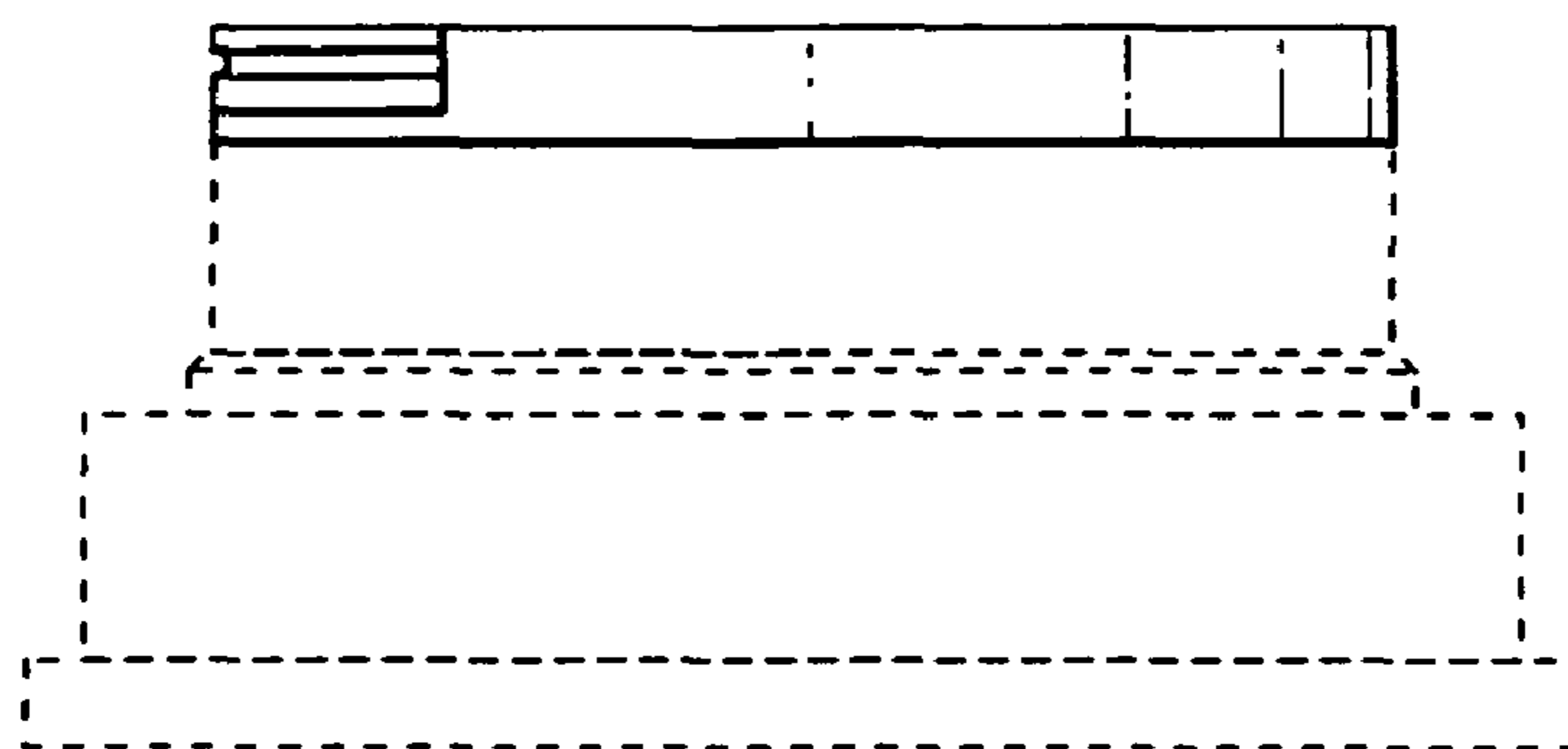


Fig. 10

