



US00D647528S

(12) **United States Design Patent**  
**Busch**

(10) **Patent No.:** **US D647,528 S**

(45) **Date of Patent:** **\*\* Oct. 25, 2011**

(54) **USB DRIVE WITH HANGER**

(76) Inventor: **Rebecca S. Busch**, Westmont, IL (US)

(\*\*) Term: **14 Years**

(21) Appl. No.: **29/372,618**

(22) Filed: **Dec. 15, 2010**

(51) **LOC (9) Cl.** ..... **14-02**

(52) **U.S. Cl.** ..... **D14/480.1**

(58) **Field of Classification Search** ..... D14/411,  
D14/433, 435.1, 436, 480.1–480.7, 484.1,  
D14/137, 155, 203.1–203.8, 240; D3/201,  
D3/273; D13/107, 108, 133, 154, 184; 710/300,  
710/301; 439/131, 135–147; D8/356, 370,  
D8/380, 383

See application file for complete search history.

(56) **References Cited**

**U.S. PATENT DOCUMENTS**

D29,487 S *	10/1898	Dean	.....	D19/65
D379,920 S *	6/1997	Bozzo	.....	D8/368
D380,665 S *	7/1997	Berg et al.	.....	D8/367
D445,110 S *	7/2001	MacLeod	.....	D14/433
D484,782 S *	1/2004	Fuehrer	.....	D8/383
D558,199 S *	12/2007	Fiorentino	.....	D14/436
D565,390 S *	4/2008	Sipe	.....	D8/356
D574,384 S *	8/2008	Knoch	.....	D14/436
D603,410 S *	11/2009	Knoch	.....	D14/436
D614,018 S *	4/2010	McClanahan et al.	.....	D8/356
D631,056 S *	1/2011	Mans et al.	.....	D14/480.5

**OTHER PUBLICATIONS**

10 Stupid And/Or Cool USB Flash Drives : EveryJoe—Sports News—Tech Reviews—Entertainment—Life Tips for EveryJoe, p. 8 [online] posted May 5, 2009 [retrieved on Nov. 2, 2009]. Retrieved from the Internet <URL: <http://www.everyjoe.com/articles/10-stupid-andor-cool-usb-flash-drives/>>.\*

\* cited by examiner

*Primary Examiner* — Cathron Brooks

*Assistant Examiner* — Karen E Kearney

(74) *Attorney, Agent, or Firm* — Ryndak & Suri LLP

(57) **CLAIM**

I claim the ornamental design for a USB drive with hanger, as shown.

**DESCRIPTION**

FIG. 1 is a perspective view of the USB drive with hanger of the invention;

FIG. 2 is a front elevation view thereof;

FIG. 3 is a rear elevation view thereof;

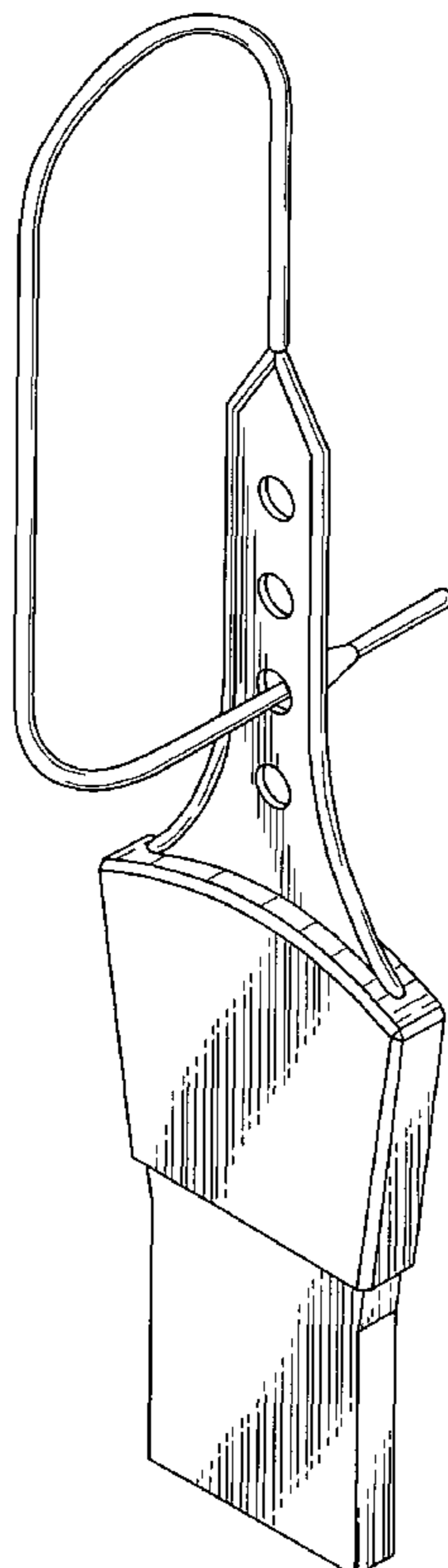
FIG. 4 is a left side elevation view thereof;

FIG. 5 is a right side elevation view thereof;

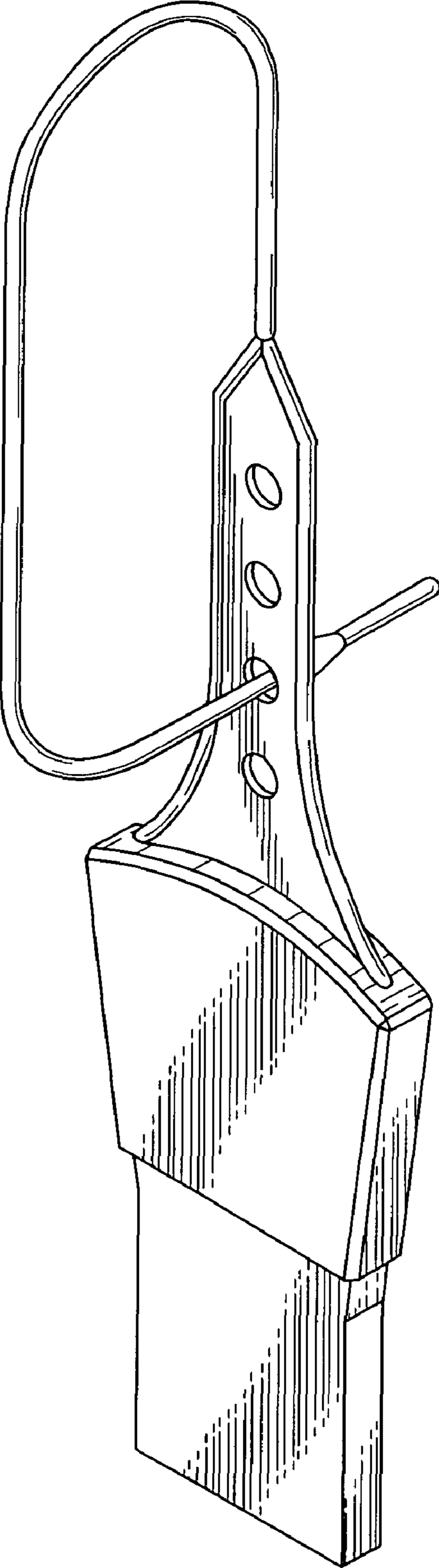
FIG. 6 is a top plan view thereof; and,

FIG. 7 is a bottom plan view thereof.

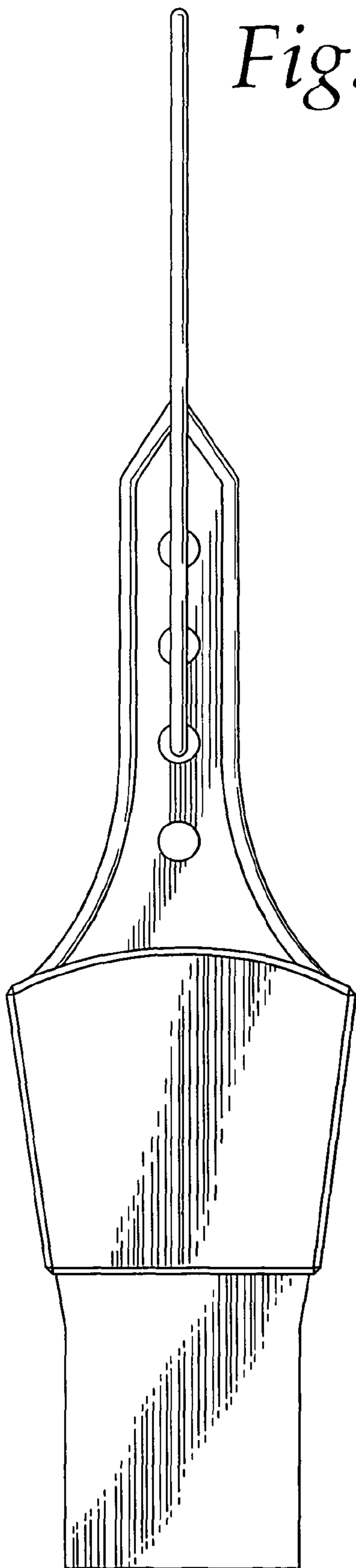
**1 Claim, 4 Drawing Sheets**



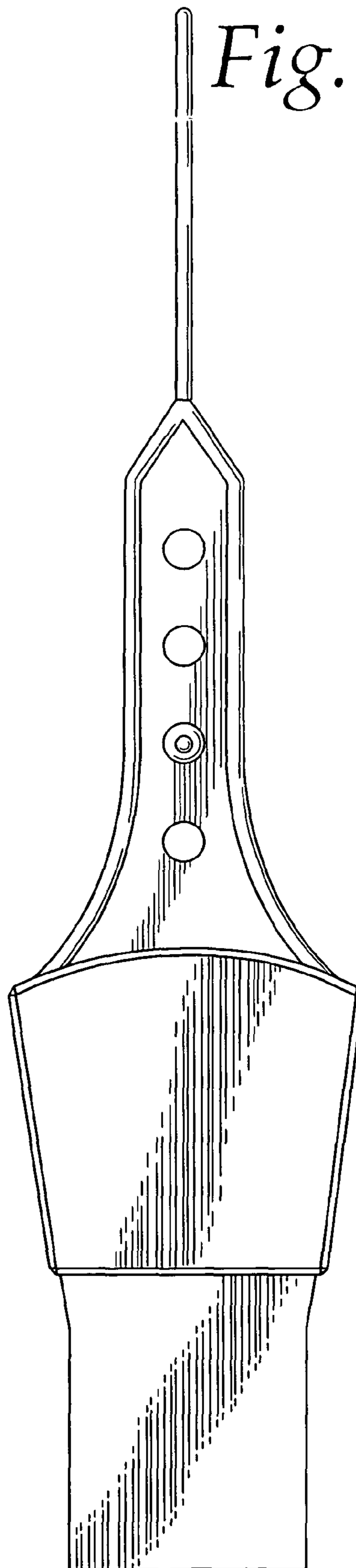
*Fig. 1*



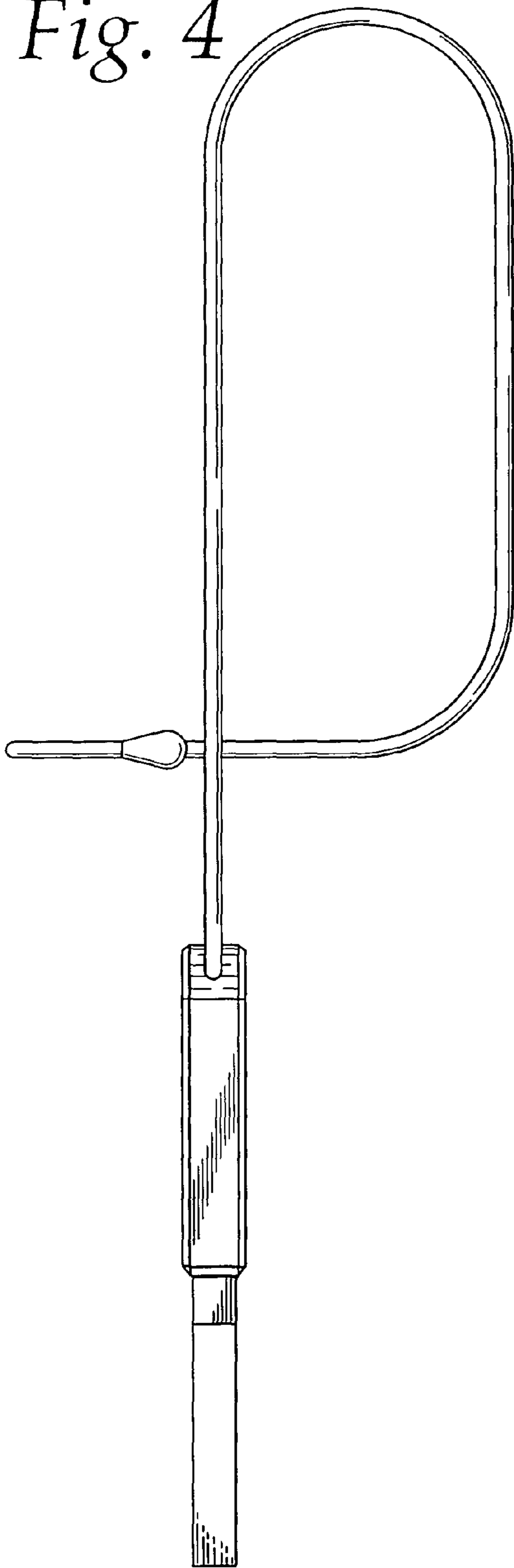
*Fig. 2*



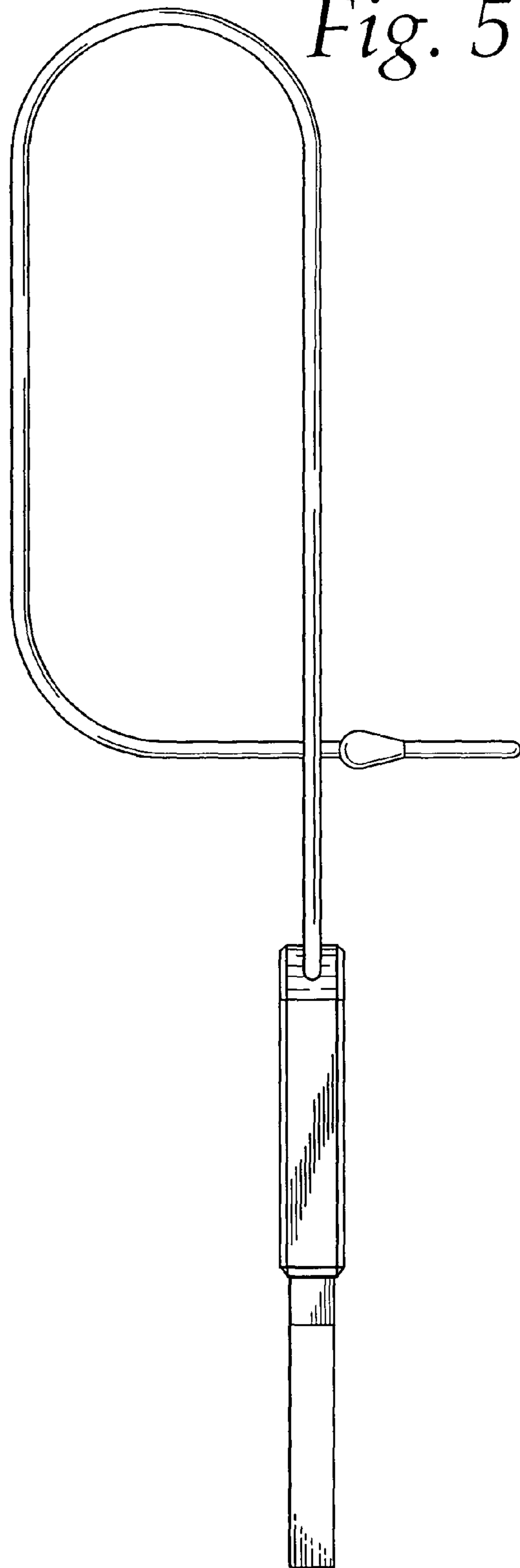
*Fig. 3*



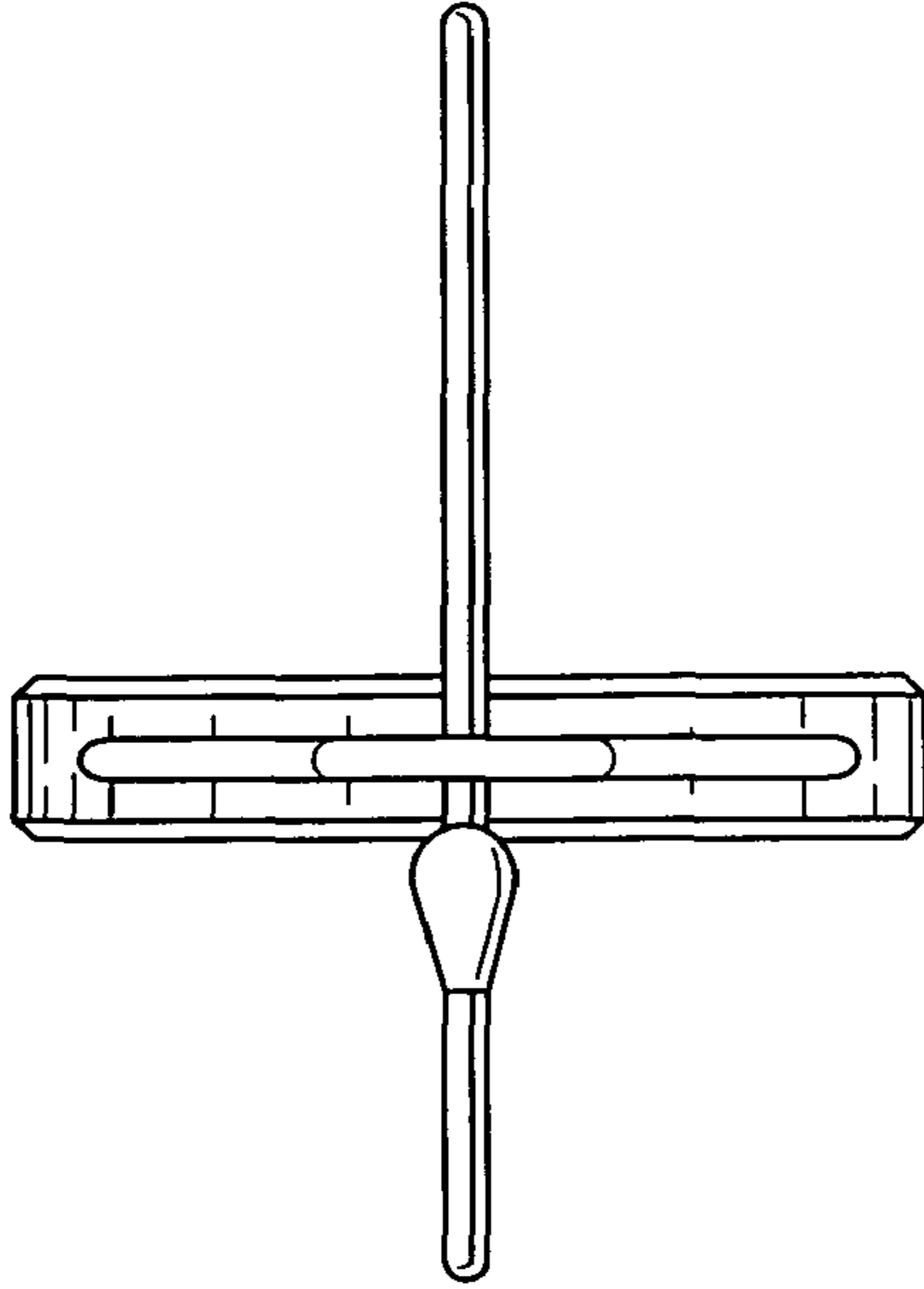
*Fig. 4*



*Fig. 5*



*Fig. 6*



*Fig. 7*

