



US00D647527S

(12) **United States Design Patent**
Zhou et al.

(10) **Patent No.:** **US D647,527 S**

(45) **Date of Patent:** **** Oct. 25, 2011**

(54) **SIDE PANEL OF AN ELECTRONIC DEVICE ENCLOSURE WITH WHEELS**

(75) Inventors: **Hai-Qing Zhou**, Shenzhen (CN);
Chung-Chi Huang, Taipei Hsien (TW)

(73) Assignee: **Hon Hai Precision Industry Co., Ltd.**,
Tu-Cheng, New Taipei (TW)

(**) Term: **14 Years**

(21) Appl. No.: **29/369,817**

(22) Filed: **Sep. 13, 2010**

(51) **LOC (9) Cl.** **14-02**

(52) **U.S. Cl.** **D14/441**

(58) **Field of Classification Search** D14/349–356,
D14/300–302, 308–312; D13/162, 184,
D13/199; 312/223.1–223.2; 360/99.01–99.12;
369/34.01, 36.01; 361/679.01, 679.6, 679.22,
361/752

See application file for complete search history.

(56) **References Cited**

U.S. PATENT DOCUMENTS

5,884,988	A *	3/1999	Foo et al.	312/223.2
6,296,333	B1 *	10/2001	Lee et al.	312/223.2
6,549,397	B1 *	4/2003	Diaz et al.	361/679.6
6,648,429	B2 *	11/2003	Chen et al.	312/223.2

D497,615	S *	10/2004	Kim	D14/349
D510,349	S *	10/2005	Kumano	D14/349
D510,350	S *	10/2005	Kumano	D14/349
D517,064	S *	3/2006	Noda et al.	D14/349
D527,002	S *	8/2006	Frank et al.	D14/349
D548,737	S *	8/2007	Dearborn et al.	D14/349
D549,702	S *	8/2007	Kim et al.	D14/349
2004/0190270	A1 *	9/2004	Aldag et al.	361/752

* cited by examiner

Primary Examiner — Freda S Nunn

(74) *Attorney, Agent, or Firm* — Altis Law Group, Inc.

(57) **CLAIM**

The ornamental design for a side panel of an electronic device enclosure with wheels, as shown and described.

DESCRIPTION

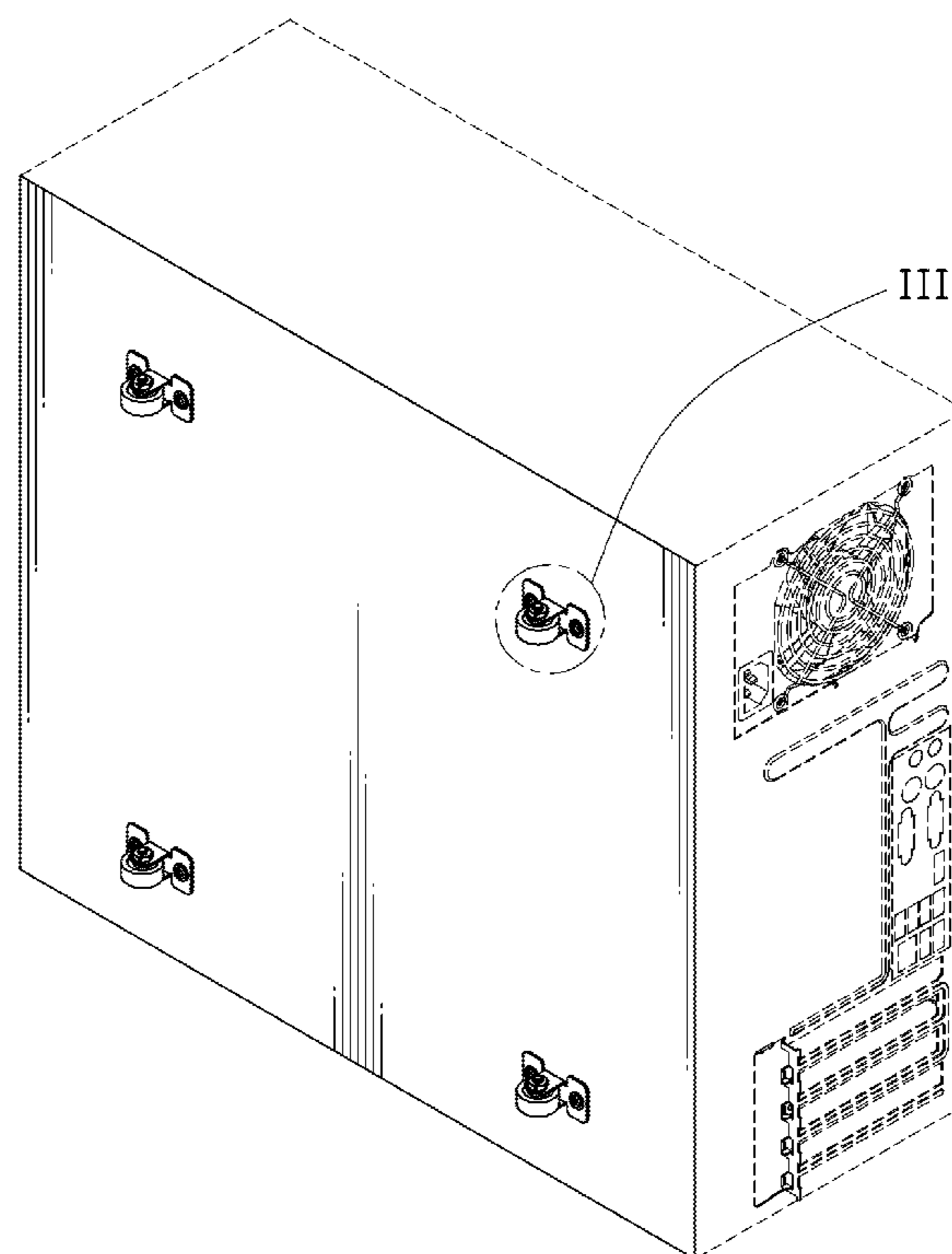
FIG. 1 is a perspective view of a side panel of an electronic device enclosure with wheels showing our design, wherein the wheels are the same with each other.

FIG. 2 is a front elevational view thereof.

FIG. 3 is an enlarged view of a circled portion III of FIG. 1; and,

FIG. 4 is an enlarged view of a circled portion IV of FIG. 2. The broken lines shown in the drawings are included for the purpose of illustrating environmental structure and form no part of the claimed design.

1 Claim, 4 Drawing Sheets



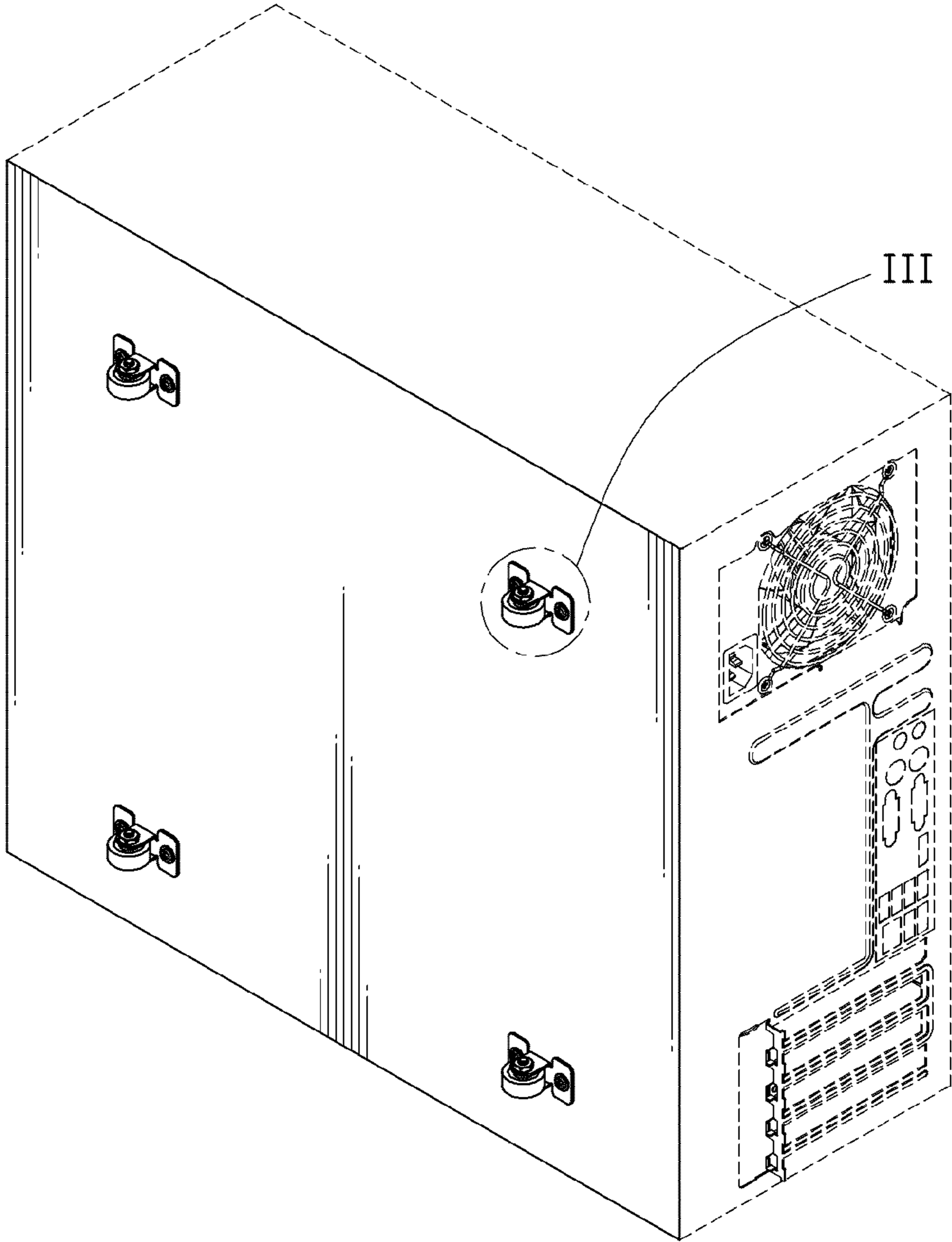


FIG. 1

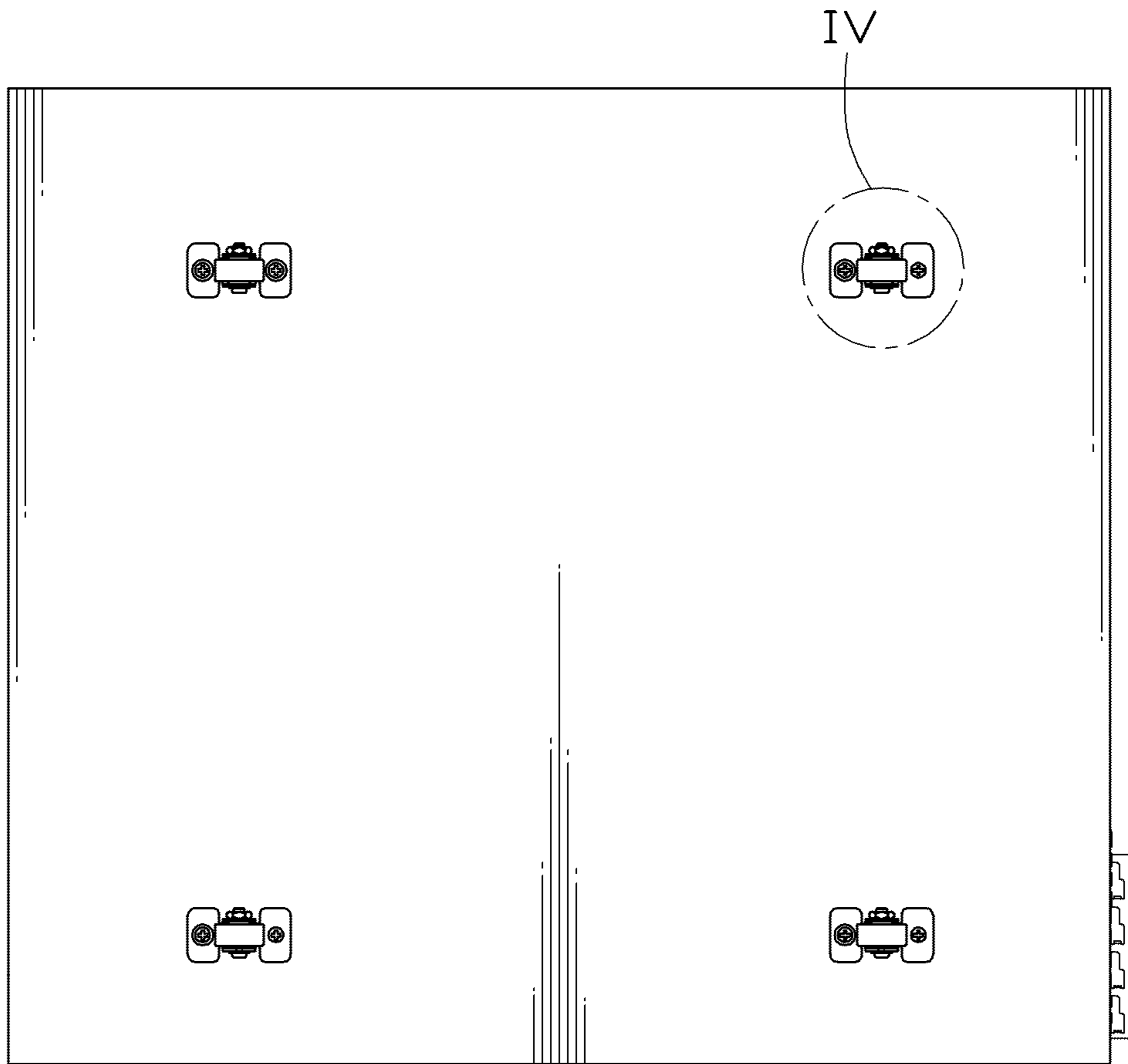


FIG. 2

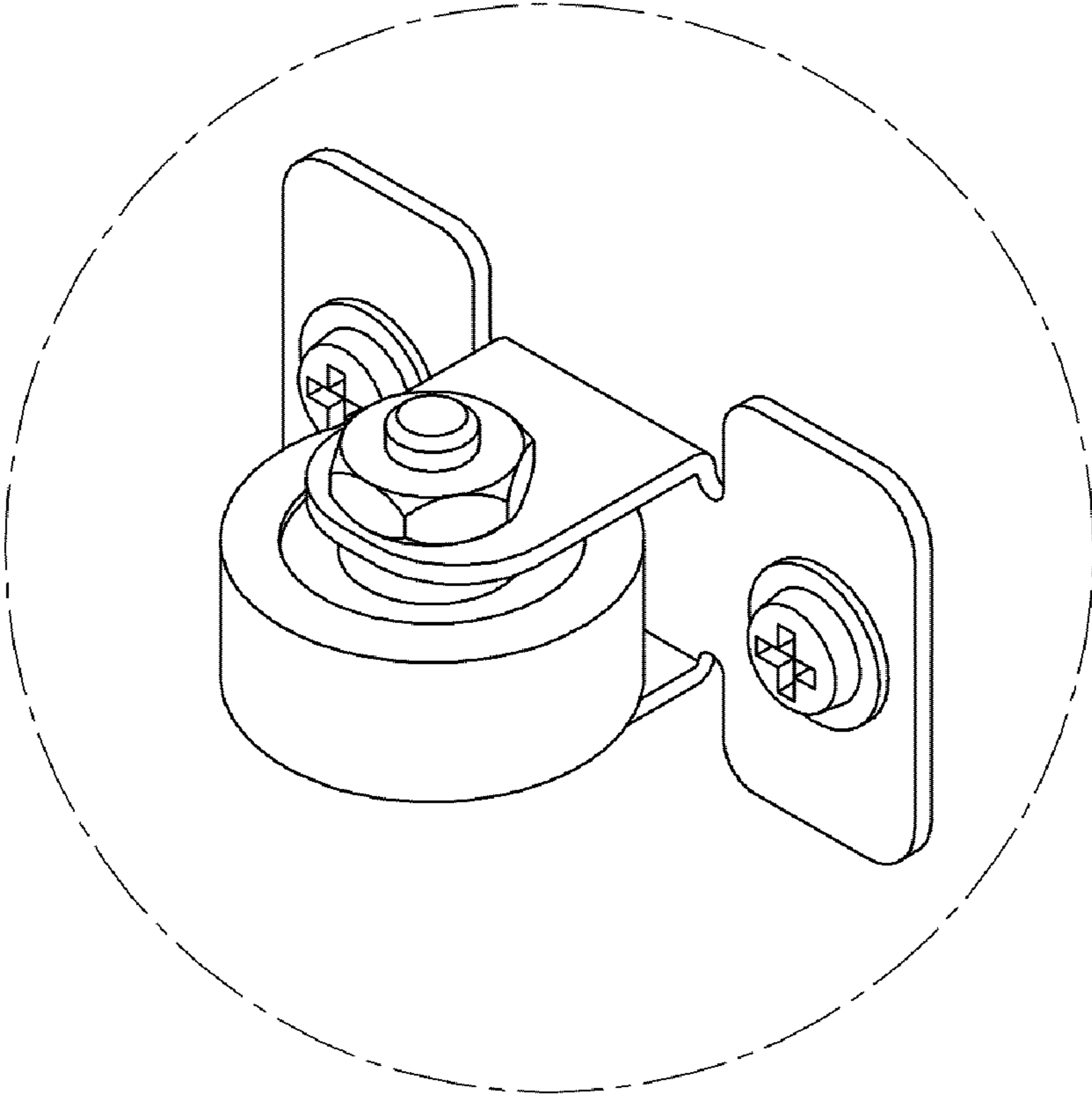


FIG. 3

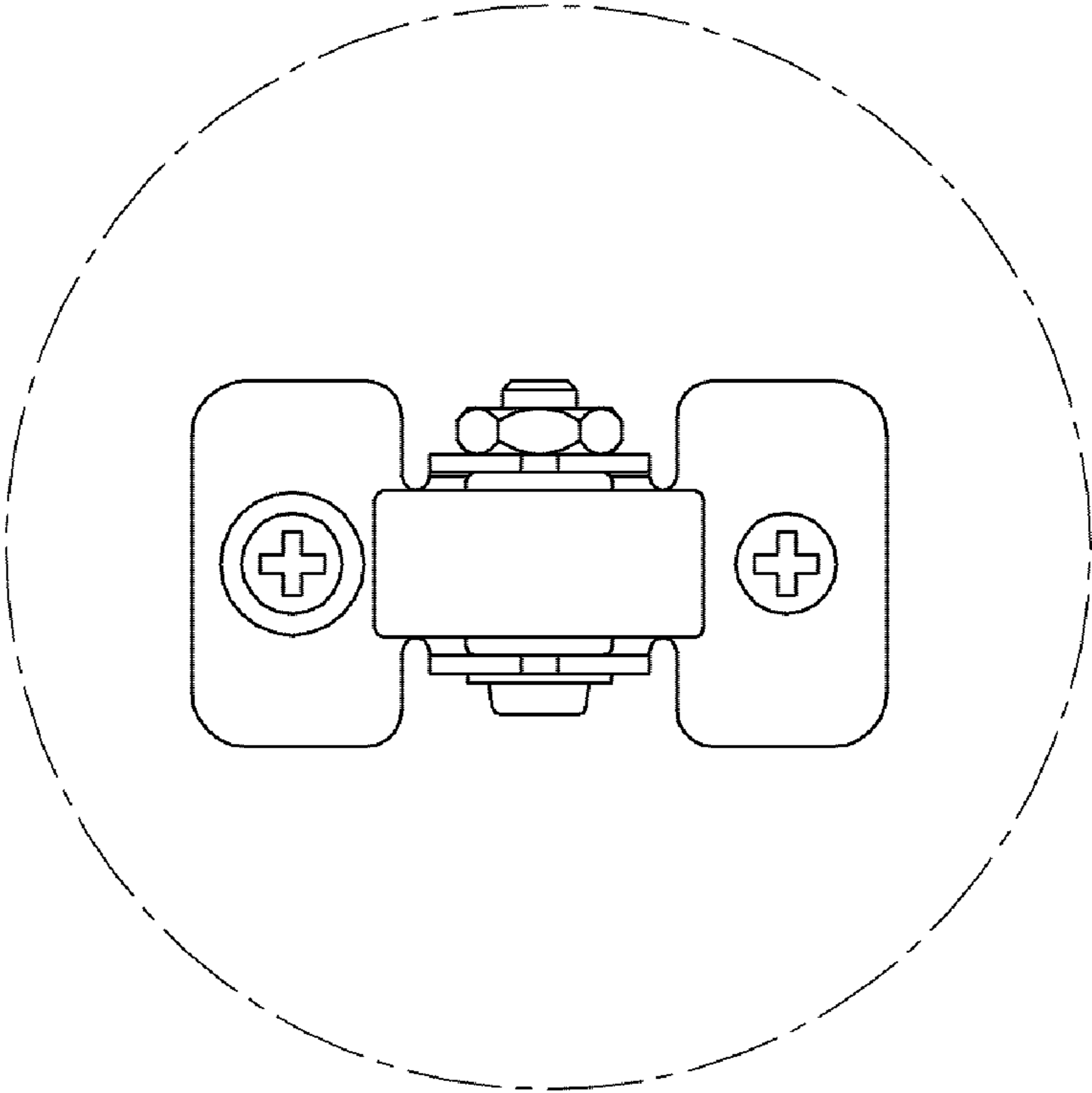


FIG. 4