



US00D647525S

(12) **United States Design Patent**
Seto

(10) **Patent No.:** **US D647,525 S**
(45) **Date of Patent:** **** Oct. 25, 2011**

(54) **CRADLE FOR WIRELESS NETWORK DEVICE**

(75) Inventor: **Naoki Seto**, Nagoya (JP)

(73) Assignee: **Kabushiki Kaisha Buffalo** (JP)

(**) Term: **14 Years**

(21) Appl. No.: **29/379,212**

(22) Filed: **Nov. 16, 2010**

(30) **Foreign Application Priority Data**

May 17, 2010 (JP) 2010-012109

(51) **LOC (9) Cl.** **14-02**

(52) **U.S. Cl.** **D14/434**

(58) **Field of Classification Search** D14/432-434,
D14/314, 204, 420, 421, 447, 217, 358; D13/107,
D13/108, 146; D8/373; 248/346.03, 176.1;
361/679.41, 679.31, 679.32, 679.4, 679.43,
361/679.55, 679.33; 320/109, 112-115;
710/15, 303; 455/557

See application file for complete search history.

(56) **References Cited**

U.S. PATENT DOCUMENTS

7,145,603 B2 * 12/2006 Whitby et al. 348/375
D539,799 S * 4/2007 Liang D14/385

D540,327 S * 4/2007 Wong et al. D14/434
D540,802 S * 4/2007 Hussaini et al. D14/434
2008/0219488 A1 * 9/2008 Crooijmans et al. 381/333
2010/0118485 A1 * 5/2010 Crooijmans et al. 361/679.43

* cited by examiner

Primary Examiner — Freda Nunn

(74) *Attorney, Agent, or Firm* — SAIDMAN DesignLaw Group

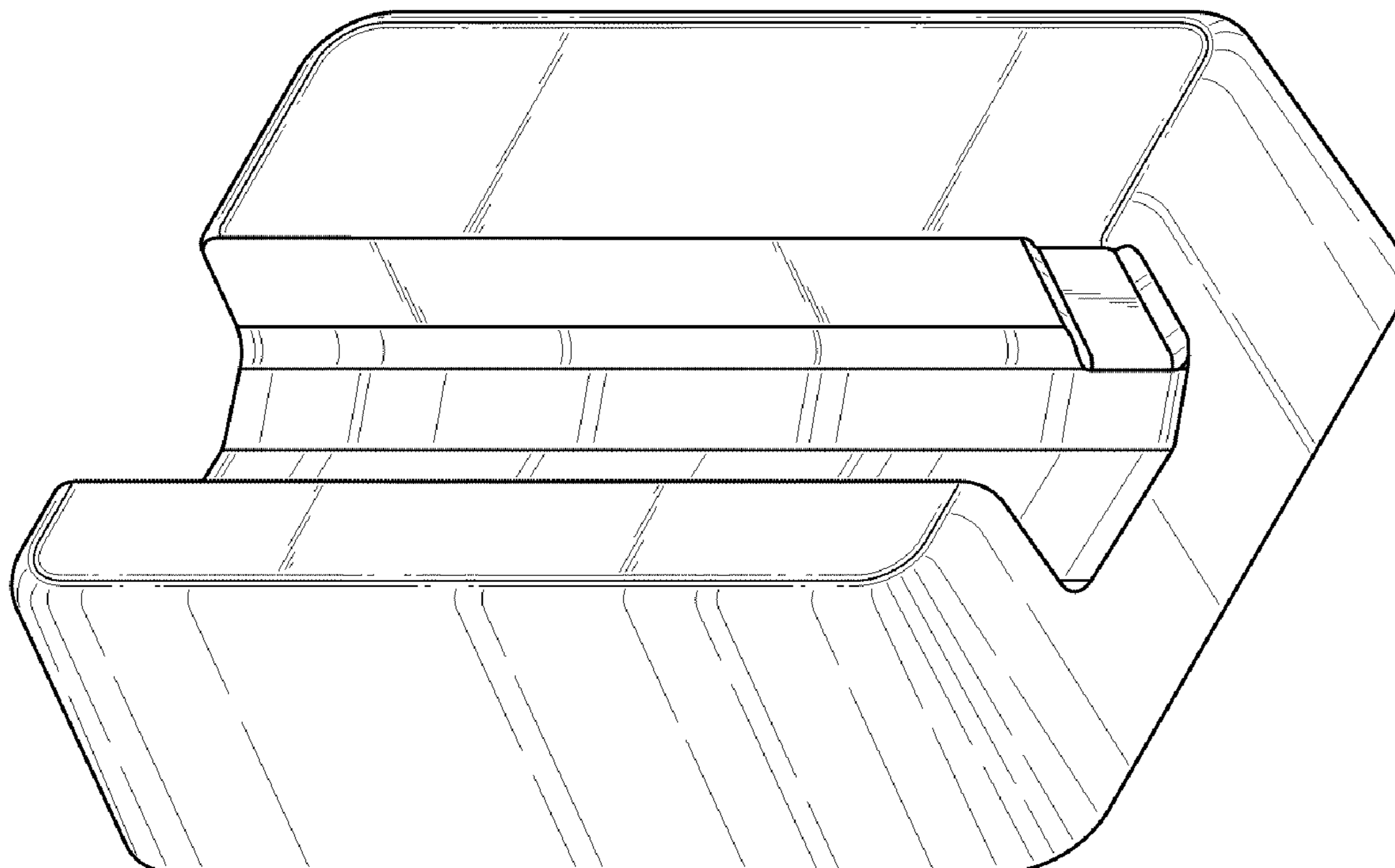
(57) **CLAIM**

The ornamental design for a cradle for wireless network device, as shown and described.

DESCRIPTION

FIG. 1 is a front, perspective view of a cradle for wireless network device showing my new design;
FIG. 2 is a top view thereof;
FIG. 3 is a bottom view thereof;
FIG. 4 is a front view thereof;
FIG. 5 is a rear view thereof;
FIG. 6 is a left-side view thereof;
FIG. 7 is a right-side view thereof;
FIG. 8 is another front, perspective view thereof; and,
FIG. 9 is a perspective view thereof shown in use.
The broken lines are for the purpose of illustrating environmental subject matter and form no part of the claimed design.

1 Claim, 6 Drawing Sheets



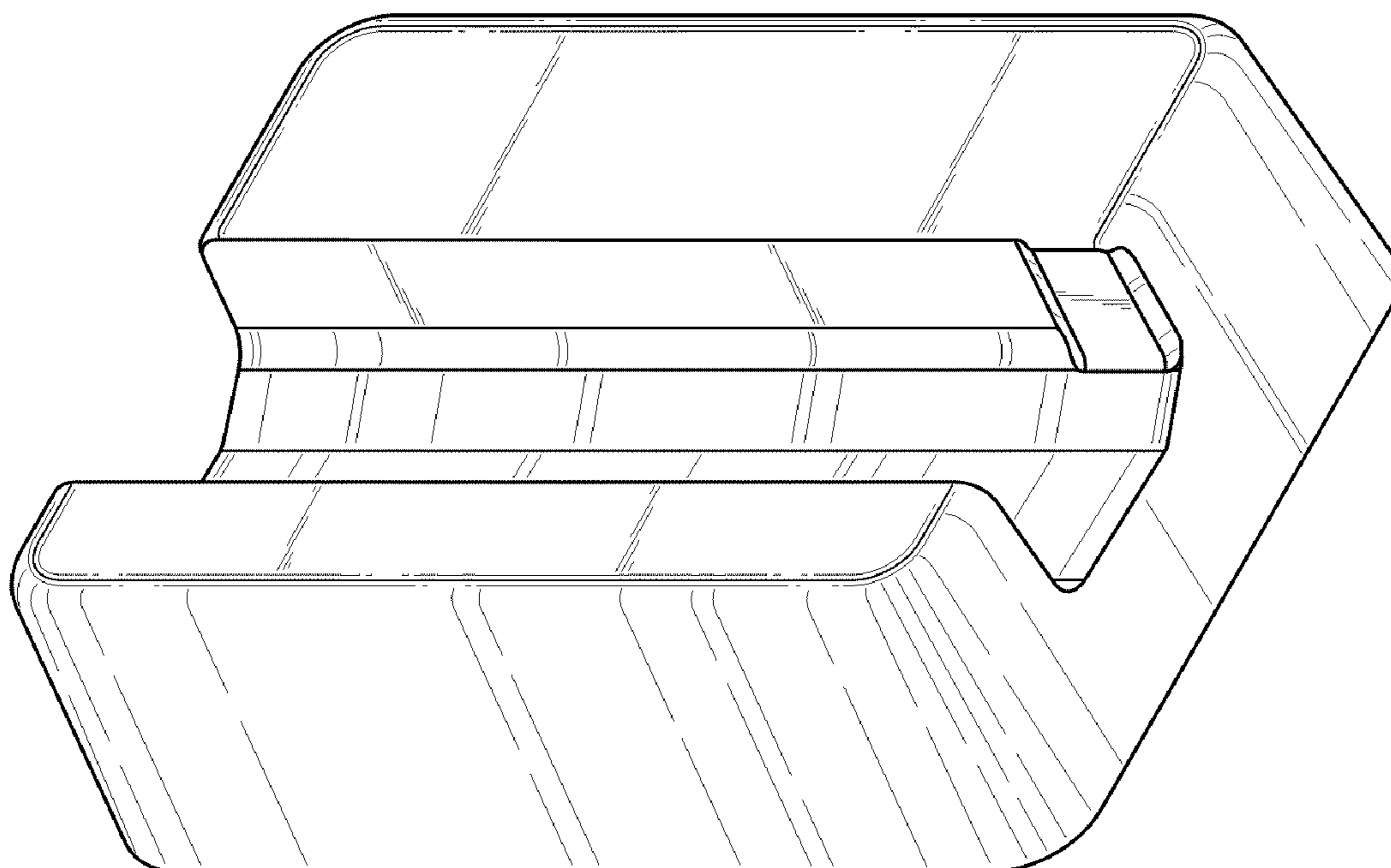


Fig. 1

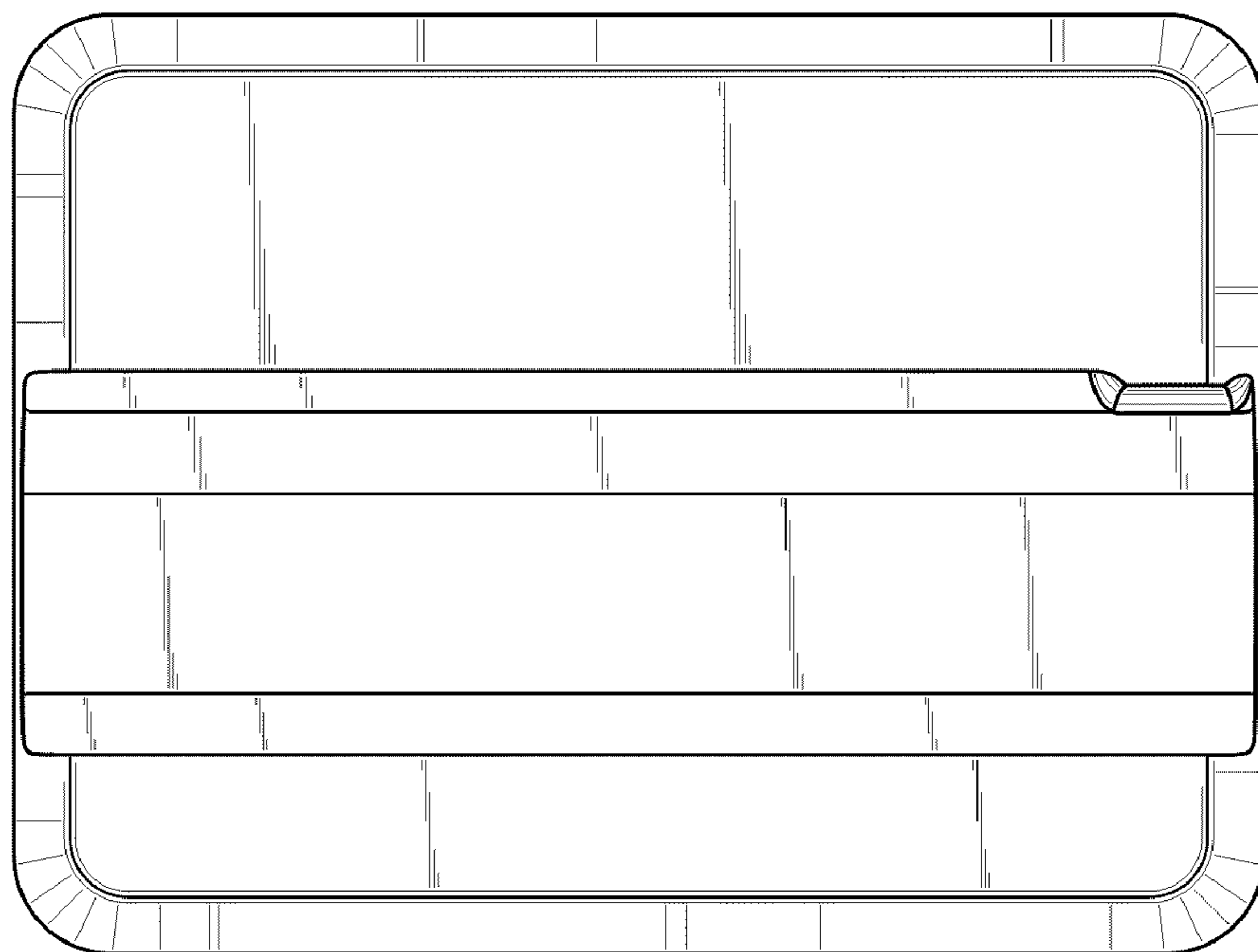


Fig. 2

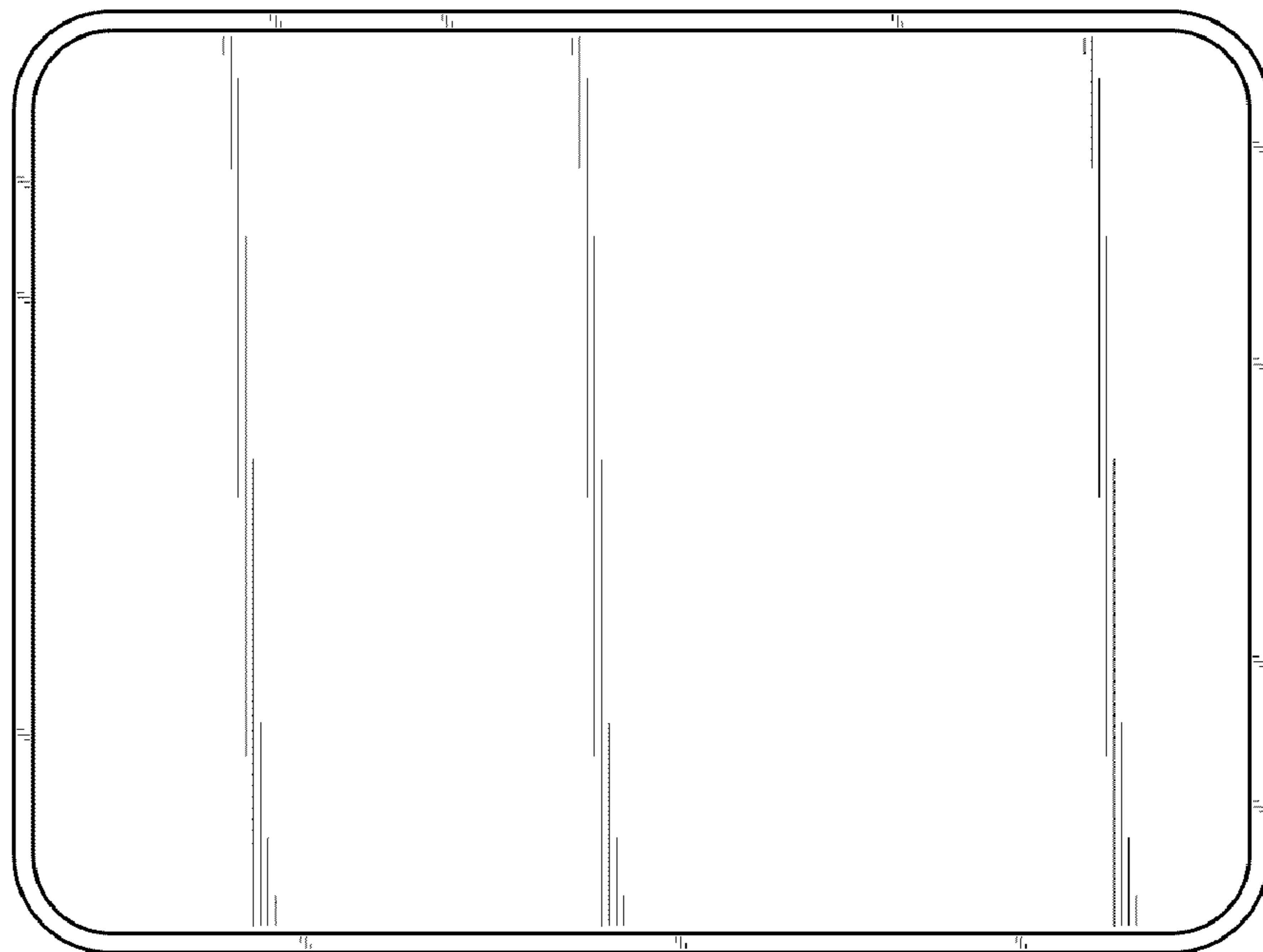


Fig. 3

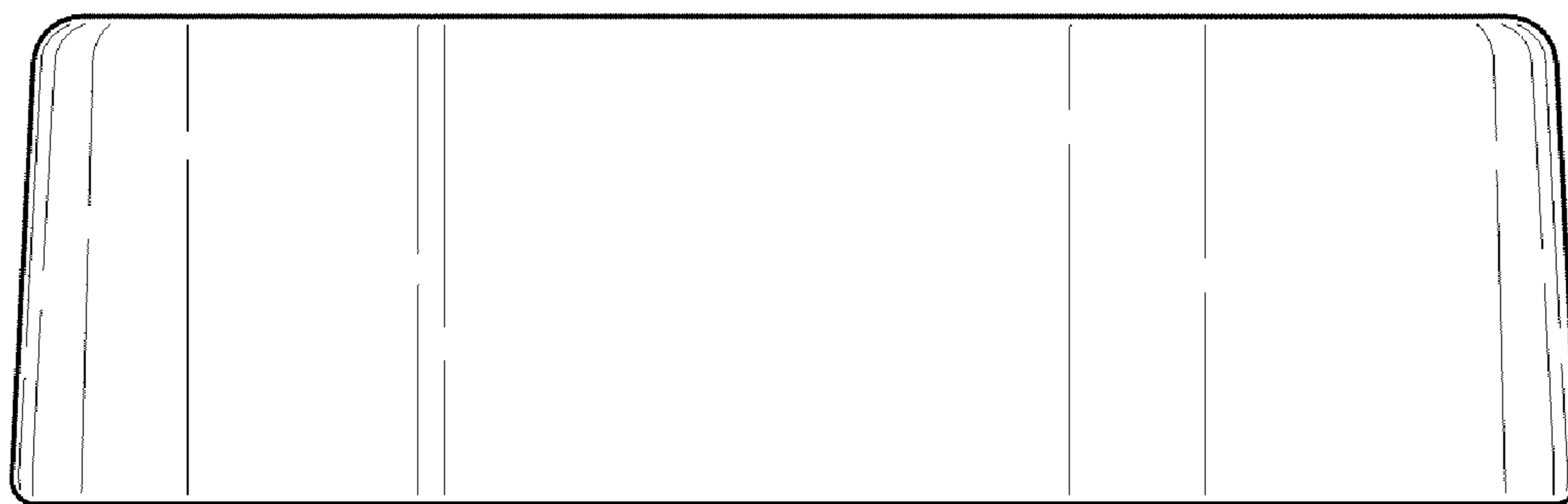


Fig. 4

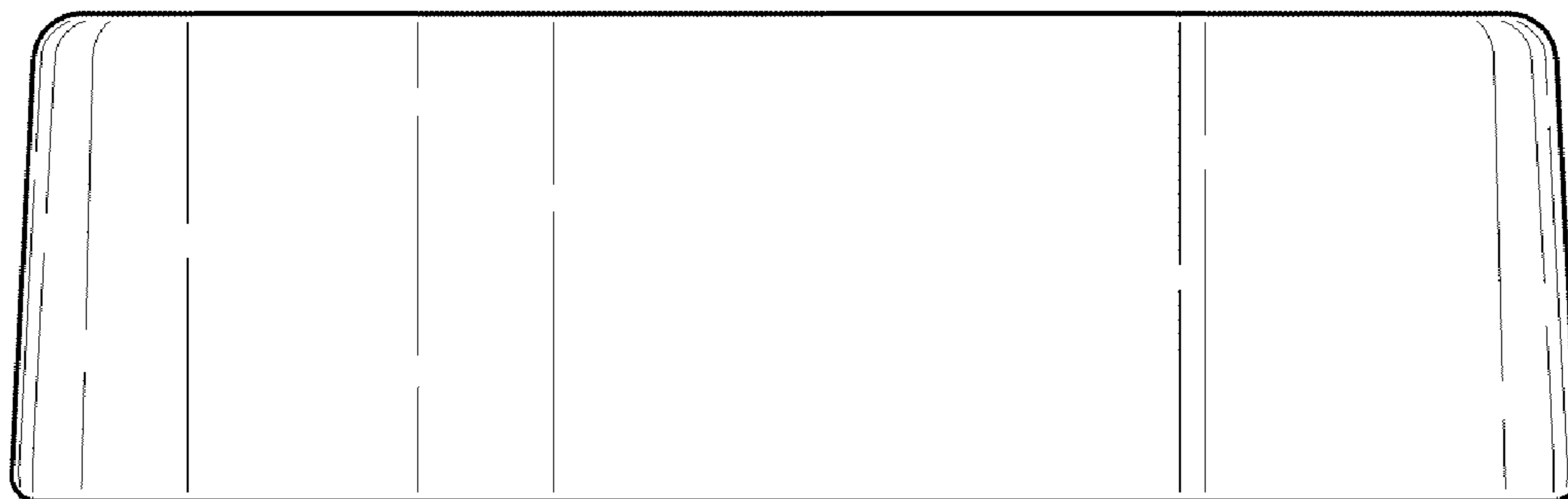


Fig. 5

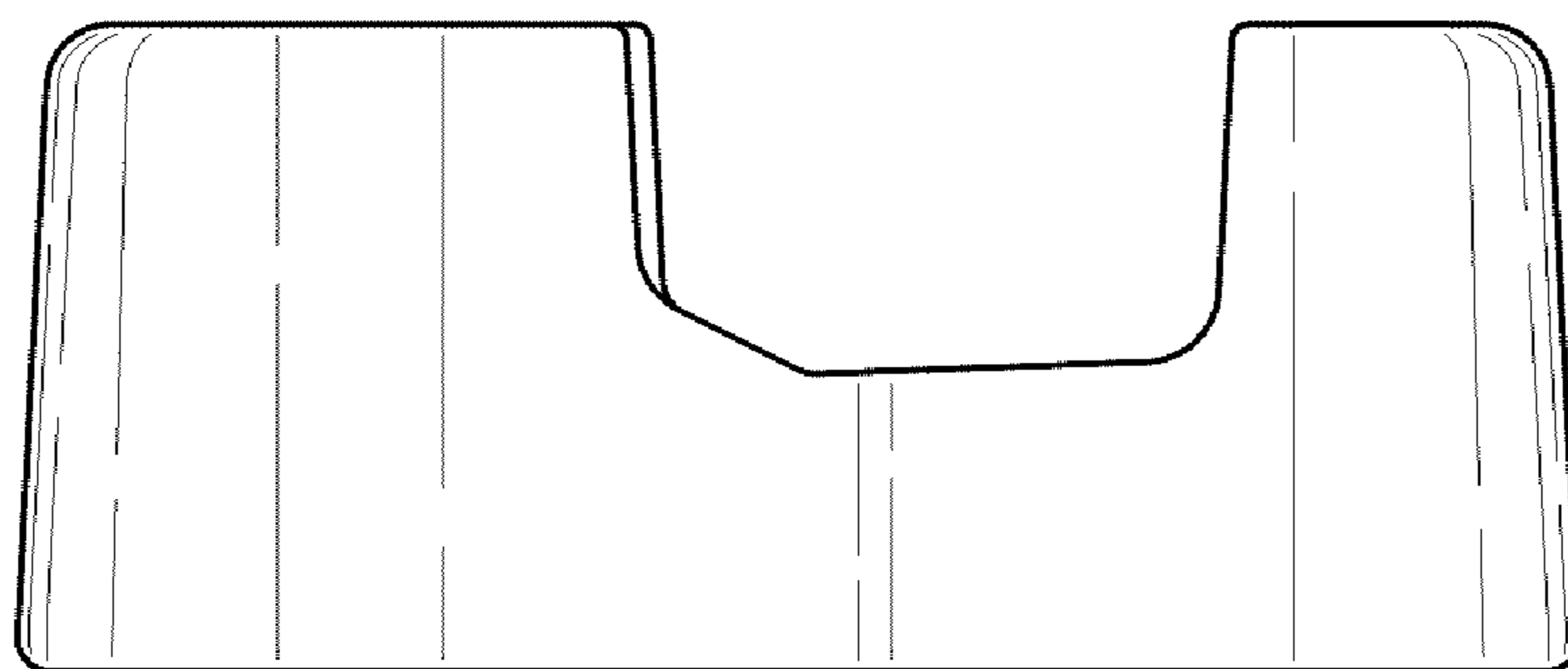


Fig. 6

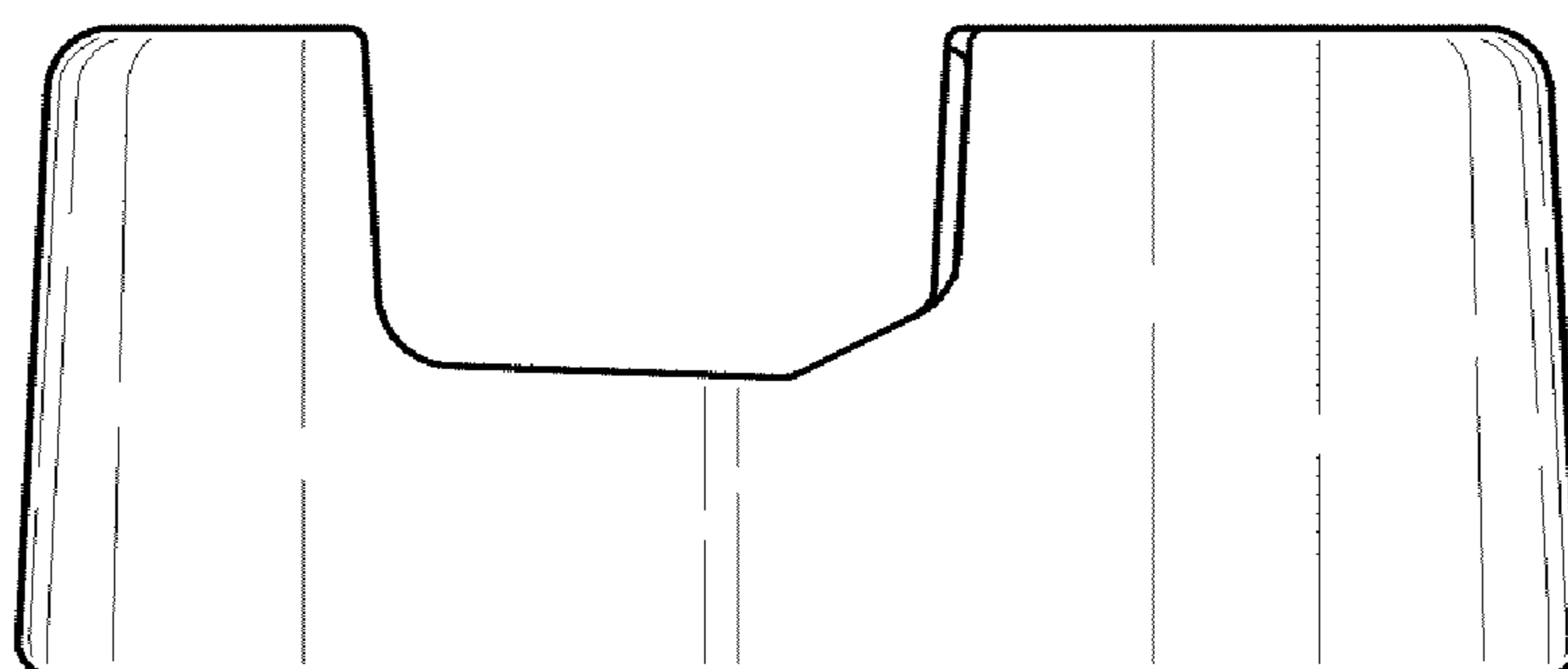


Fig. 7

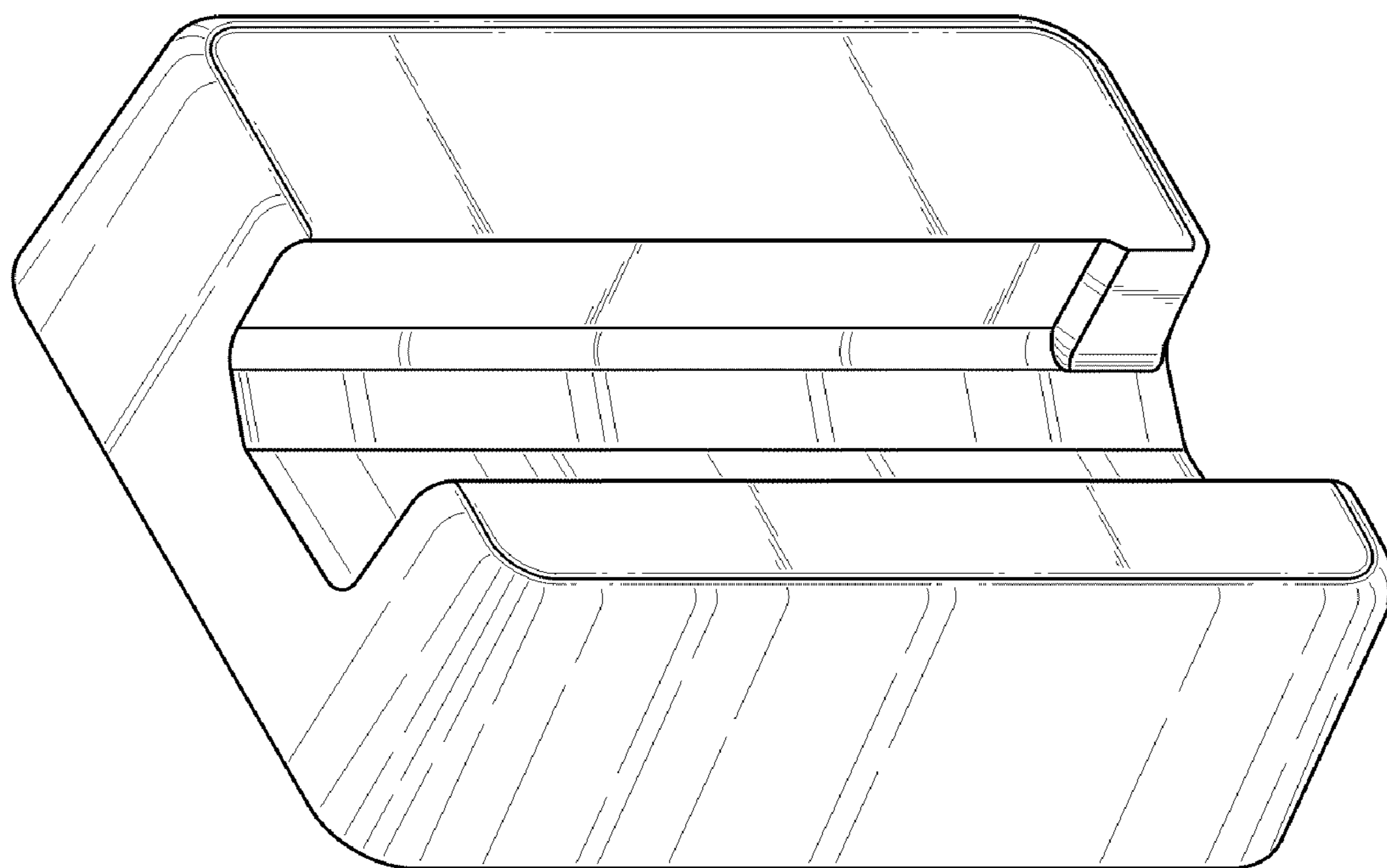


Fig. 8

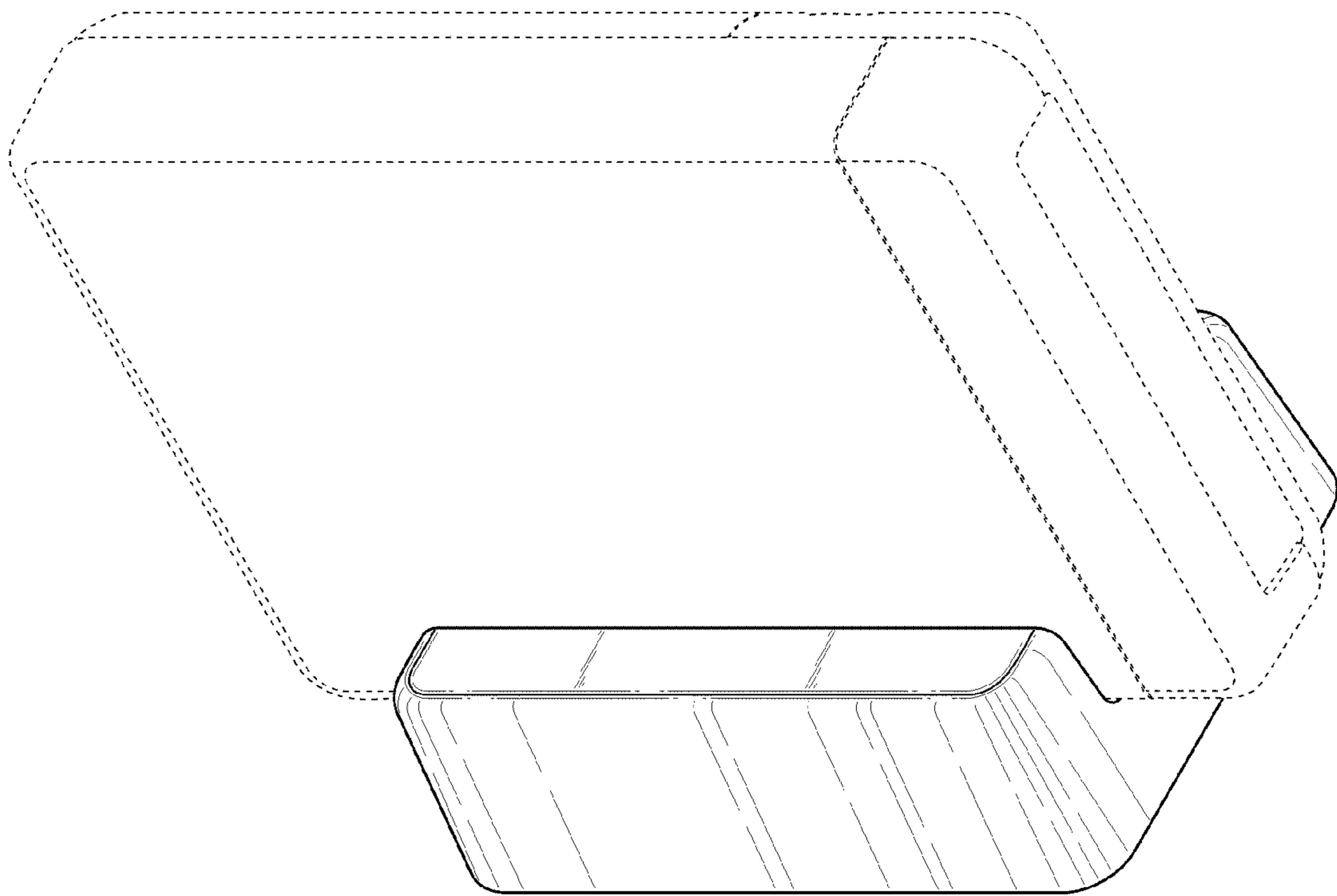


Fig. 9