

US00D647523S

(12) **United States Design Patent**
Su

(10) **Patent No.:** **US D647,523 S**

(45) **Date of Patent:** **** Oct. 25, 2011**

(54) **COMPUTER CASE**

(75) Inventor: **Yen-Wen Su**, Taoyuan (TW)

(73) Assignee: **Enermax Technology Corporation**,
Taoyuan (TW)

(**) Term: **14 Years**

(21) Appl. No.: **29/384,284**

(22) Filed: **Jan. 28, 2011**

(51) **LOC (9) Cl.** **14-02**

(52) **U.S. Cl.** **D14/349**

(58) **Field of Classification Search** D14/300,
D14/308, 349-356; D13/162, 184, 199;
312/223.1-223.3, 351.11; 360/99.01-99.12;
369/34.01-36.01; 361/679.31-679.33

See application file for complete search history.

(56) **References Cited**

U.S. PATENT DOCUMENTS

6,549,397	B1 *	4/2003	Diaz et al.	361/679.6
D545,306	S *	6/2007	Lauffer et al.	D14/349
D585,447	S *	1/2009	Chen	D14/349
D604,732	S *	11/2009	Sun et al.	D14/349
D625,718	S *	10/2010	Lee et al.	D14/349

7,830,654 B2 * 11/2010 Hsieh et al. 361/679.33

* cited by examiner

Primary Examiner — Freda S Nunn

(74) *Attorney, Agent, or Firm* — Chun-Ming Shih; HDLS
IPR Services

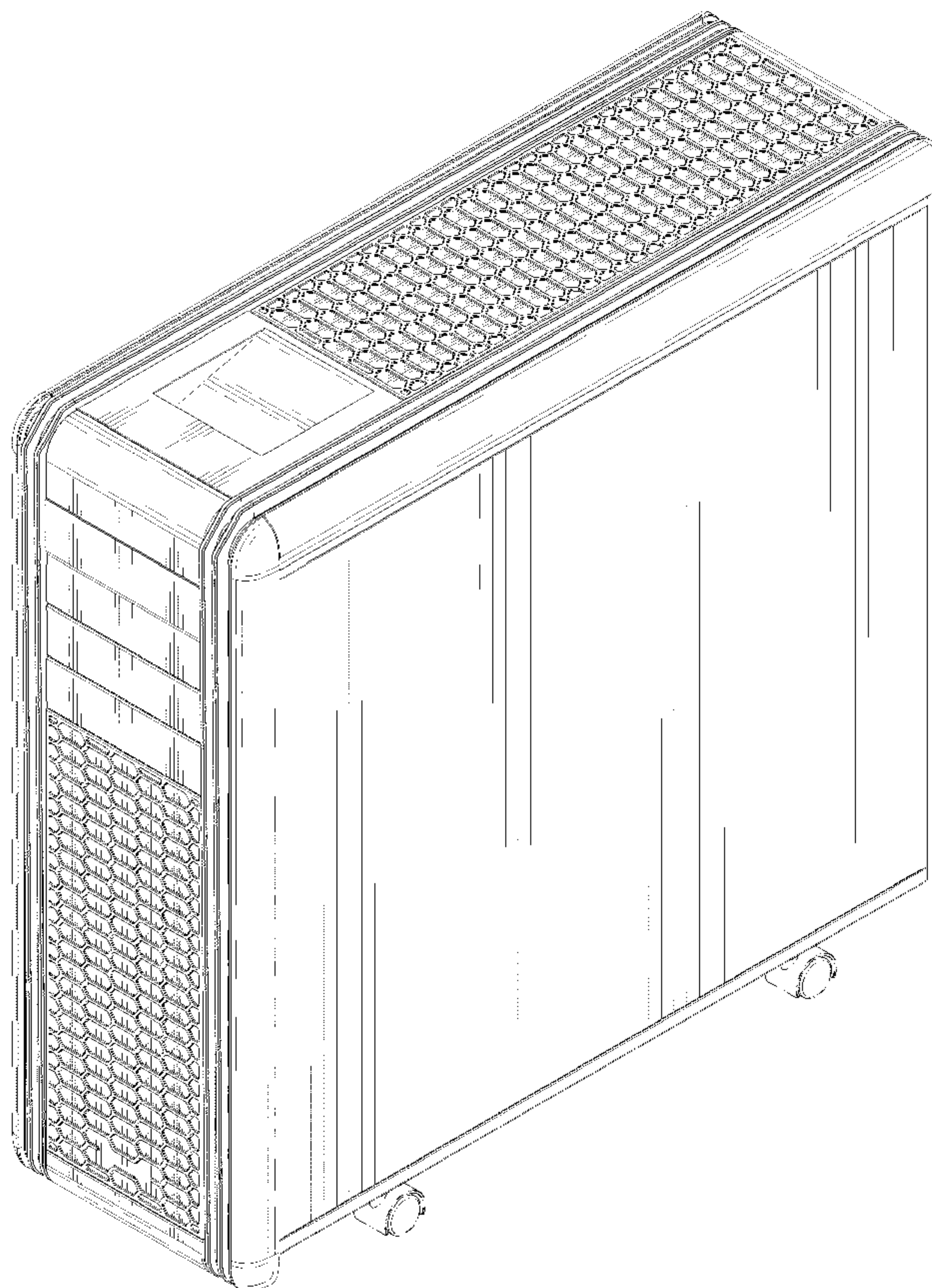
(57) **CLAIM**

The ornamental design for a computer case, as shown and described.

DESCRIPTION

FIG. 1 is a perspective view of a computer case showing my new design, with an enlarged detail of a decorative honey-comb structure thereon;
FIG. 2 is a front view thereof;
FIG. 3 is a rear view thereof;
FIG. 4 is a left side view thereof;
FIG. 5 is a right side view thereof;
FIG. 6 is a top view thereof;
FIG. 7 is a bottom view thereof; and,
FIG. 8 is a perspective view showing the computer case in use. The broken line environmental showing is for illustrative purpose only and forms no part of the claimed design.

1 Claim, 8 Drawing Sheets



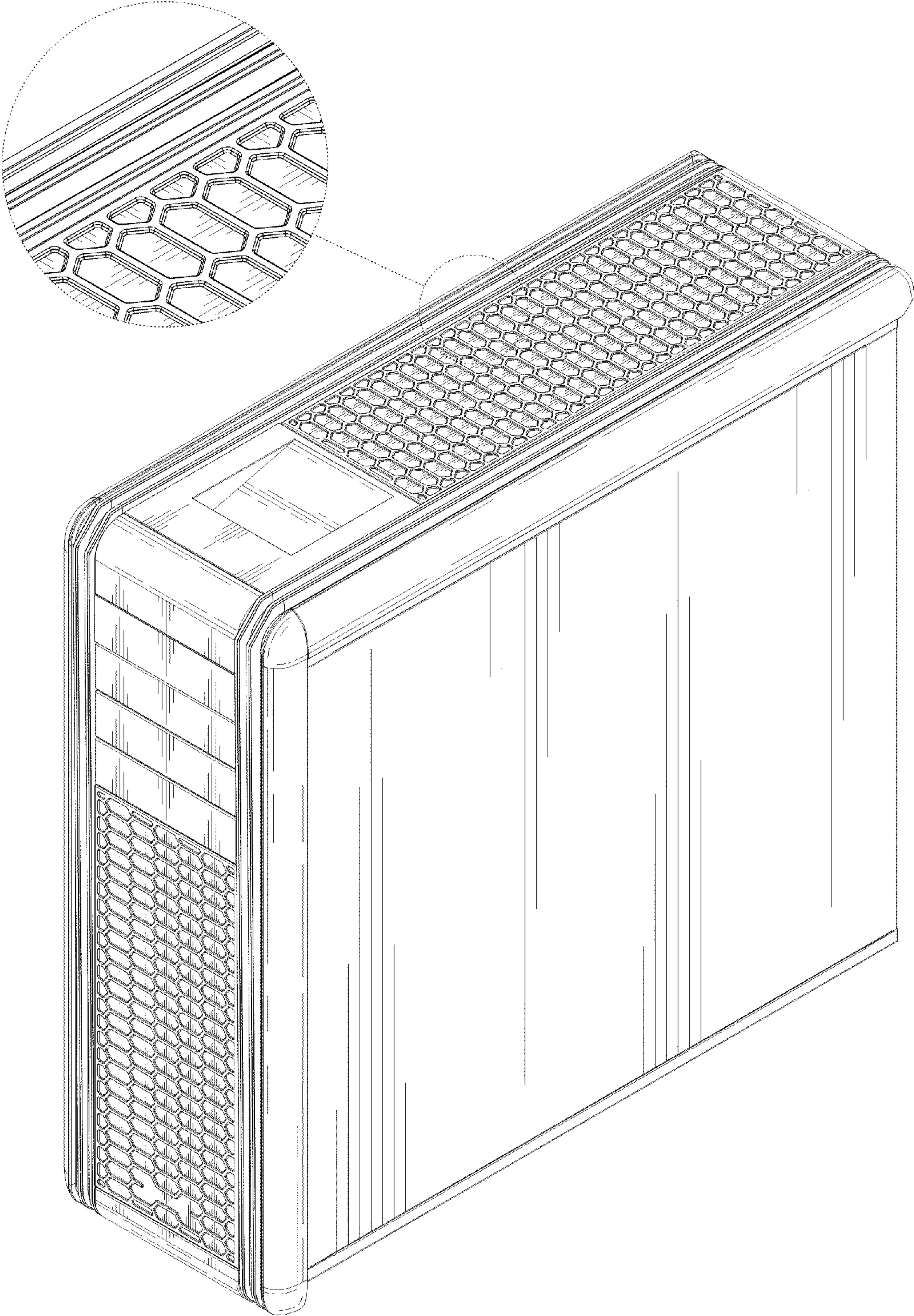


FIG.1

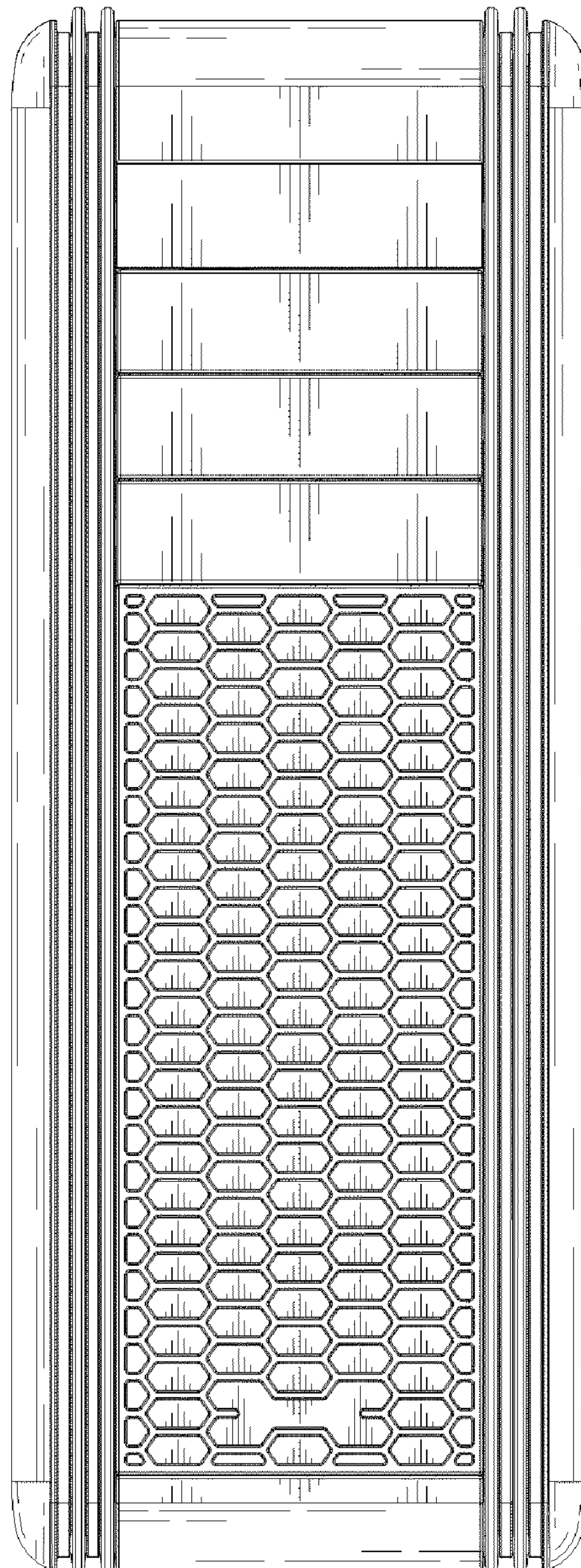


FIG.2

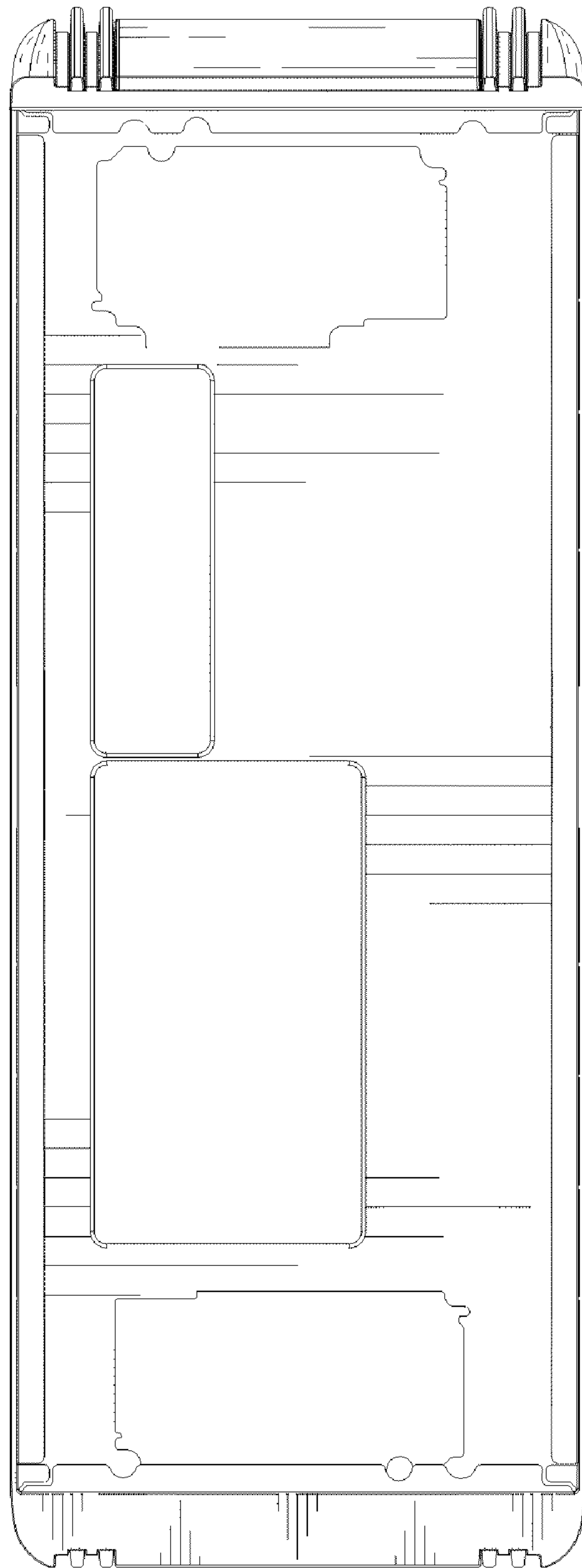


FIG.3

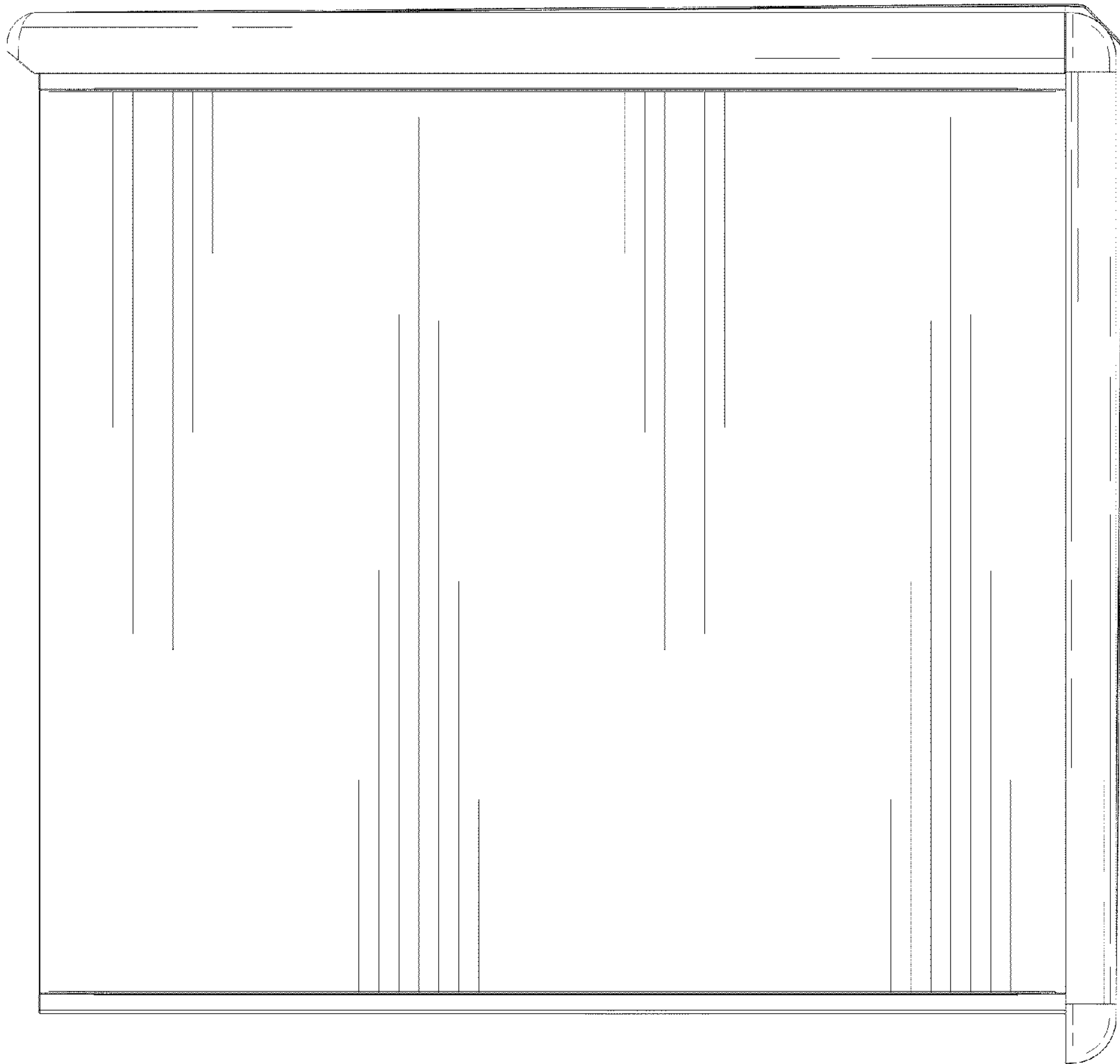


FIG. 4

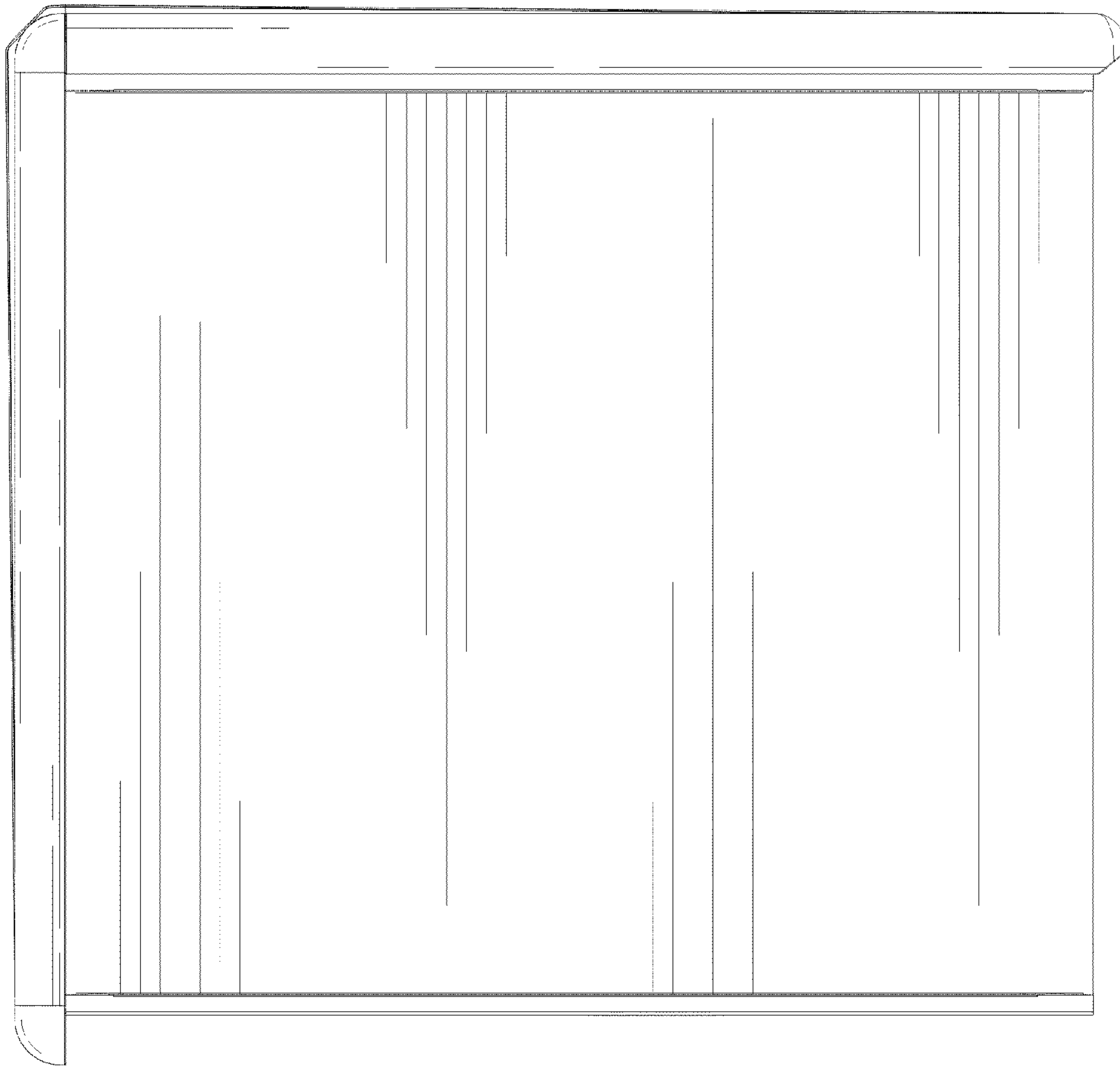


FIG. 5

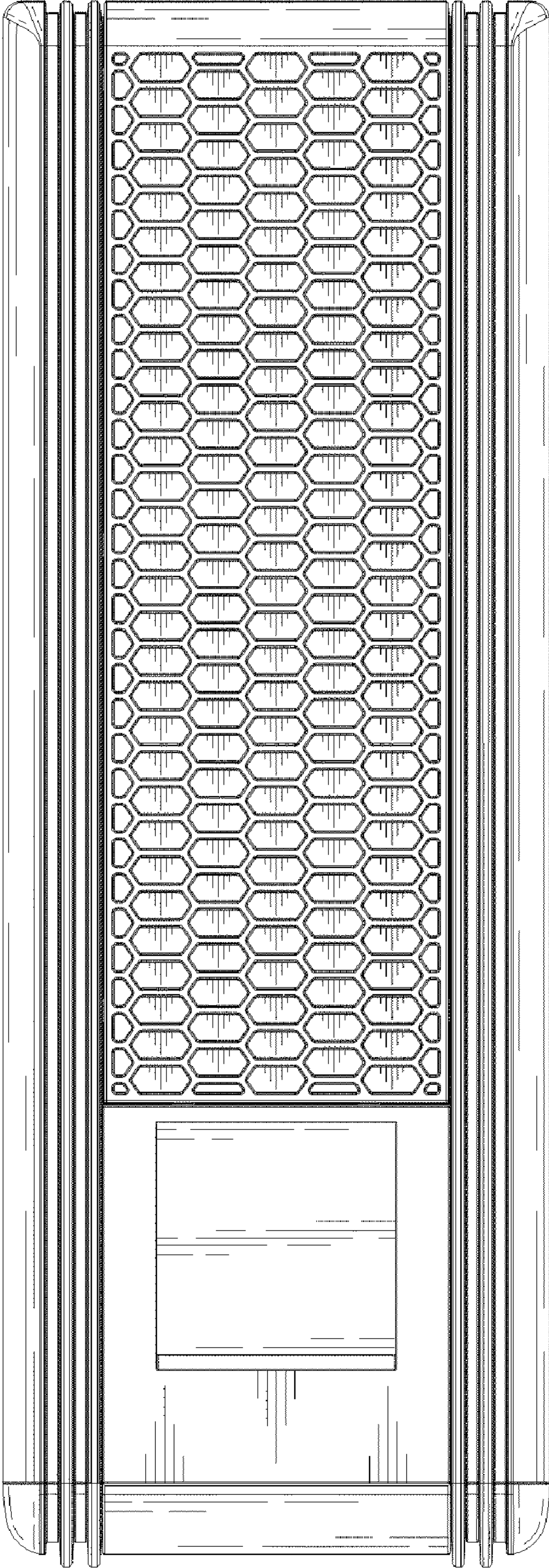


FIG.6

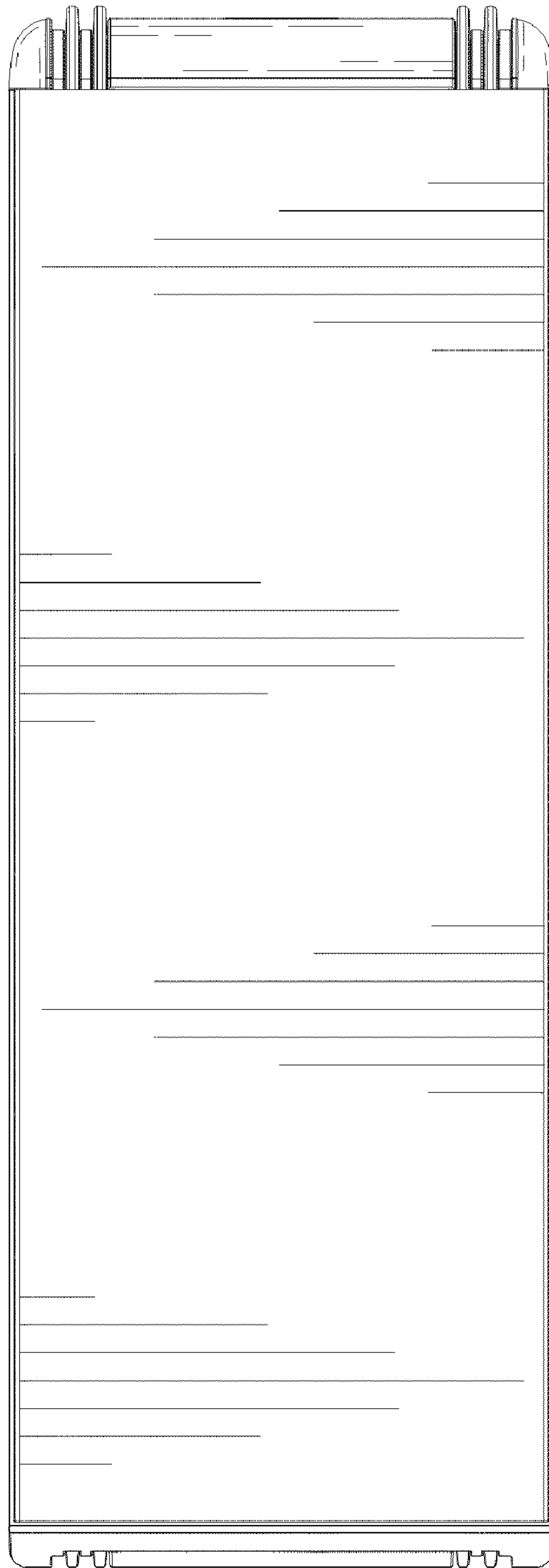


FIG.7

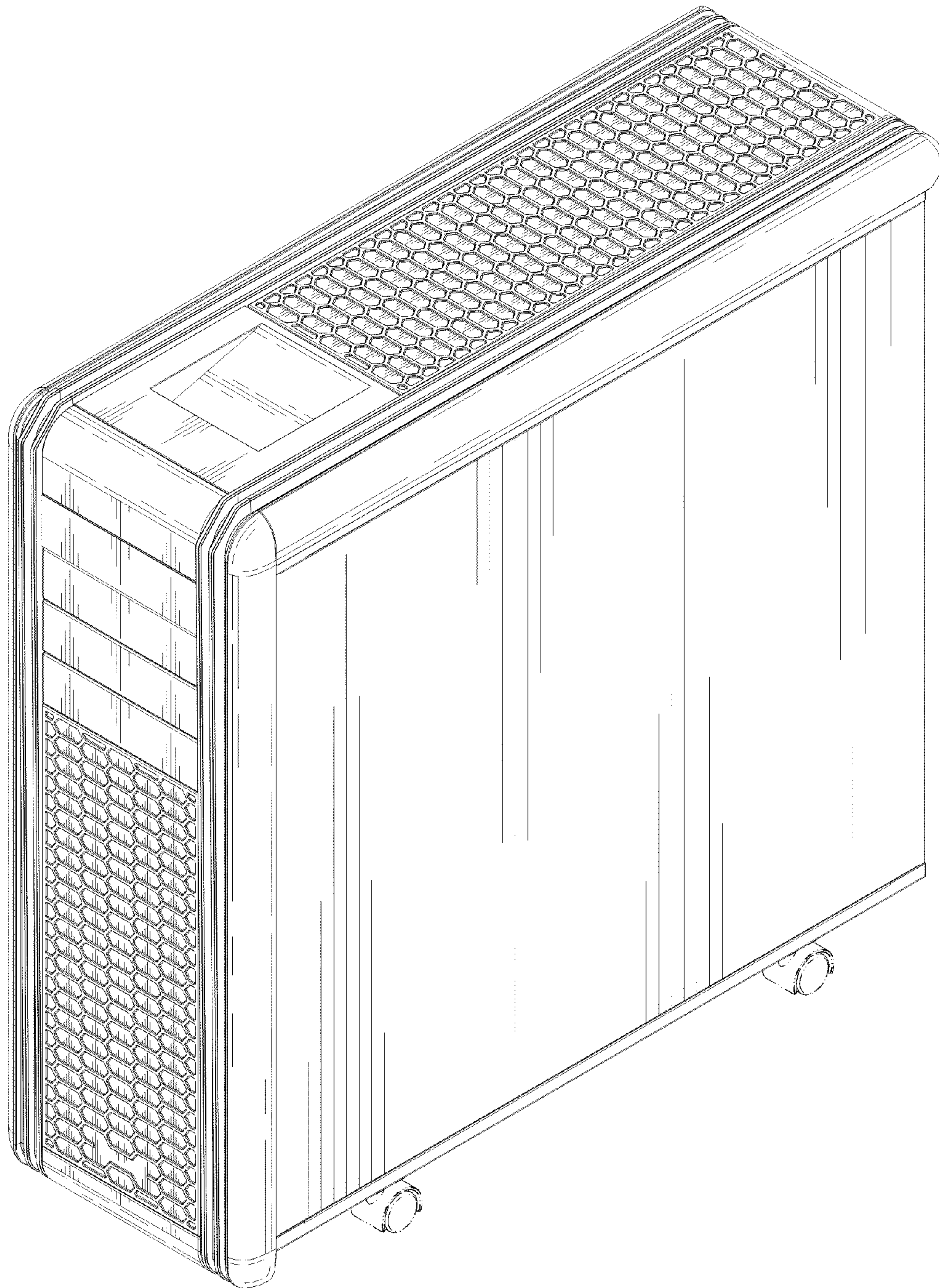


FIG.8