



US00D647522S

(12) **United States Design Patent**
Paul

(10) **Patent No.:** **US D647,522 S**
(45) **Date of Patent:** **** Oct. 25, 2011**

(54) **CONTROLLER**

(75) Inventor: **Patrick J. Paul**, Boca Raton, FL (US)

(73) Assignee: **NovaVision, Inc.**, Boca Raton, FL (US)

(**) Term: **14 Years**

(21) Appl. No.: **29/351,087**

(22) Filed: **Nov. 30, 2009**

(51) **LOC (9) Cl.** **14-02**

(52) **U.S. Cl.** **D14/349**; D24/185; D24/186;
D24/107; D24/150; D24/232

(58) **Field of Classification Search** D14/349–356,
D14/300, 301, 308, 388; D13/162, 184,
D13/199; 312/223.1–223.2; 360/99.01–99.12;
D24/107, 150, 169, 185, 186, 232; 361/600,
361/679.31–679.39, 679.58
See application file for complete search history.

(56) **References Cited**

U.S. PATENT DOCUMENTS

D330,595 S * 10/1992 Sato et al. D24/169
D405,063 S * 2/1999 Lee et al. D14/351
D443,062 S * 5/2001 Drew D24/186

6,549,397 B1 * 4/2003 Diaz et al. 361/679.6
D485,268 S * 1/2004 Andre et al. D14/349
D503,479 S * 3/2005 Ina et al. D24/186
D535,653 S * 1/2007 Chen D14/349
D554,263 S * 10/2007 Al-Ali et al. D24/186
D590,389 S * 4/2009 Musgrave et al. D14/349

* cited by examiner

Primary Examiner — Freda Nunn

(74) *Attorney, Agent, or Firm* — Hunton & Williams

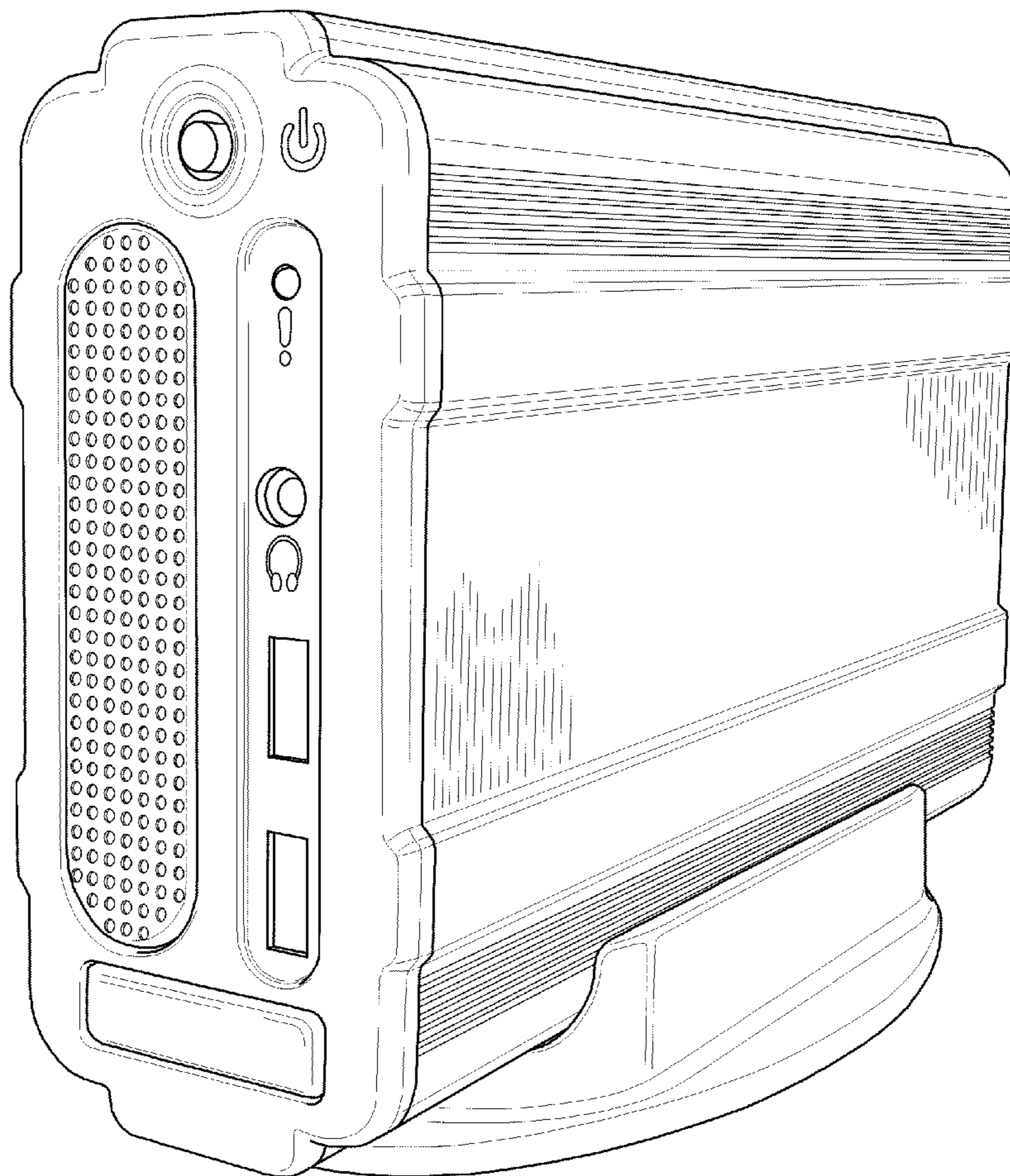
(57) **CLAIM**

The ornamental design for a controller, as shown and described.

DESCRIPTION

FIG. 1 is a front perspective view of a controller according to my design;
FIG. 2 is a front view thereof;
FIG. 3 is a back view thereof;
FIG. 4 is a side view thereof;
FIG. 5 is a top view thereof; and,
FIG. 6 is a bottom view thereof.

1 Claim, 5 Drawing Sheets



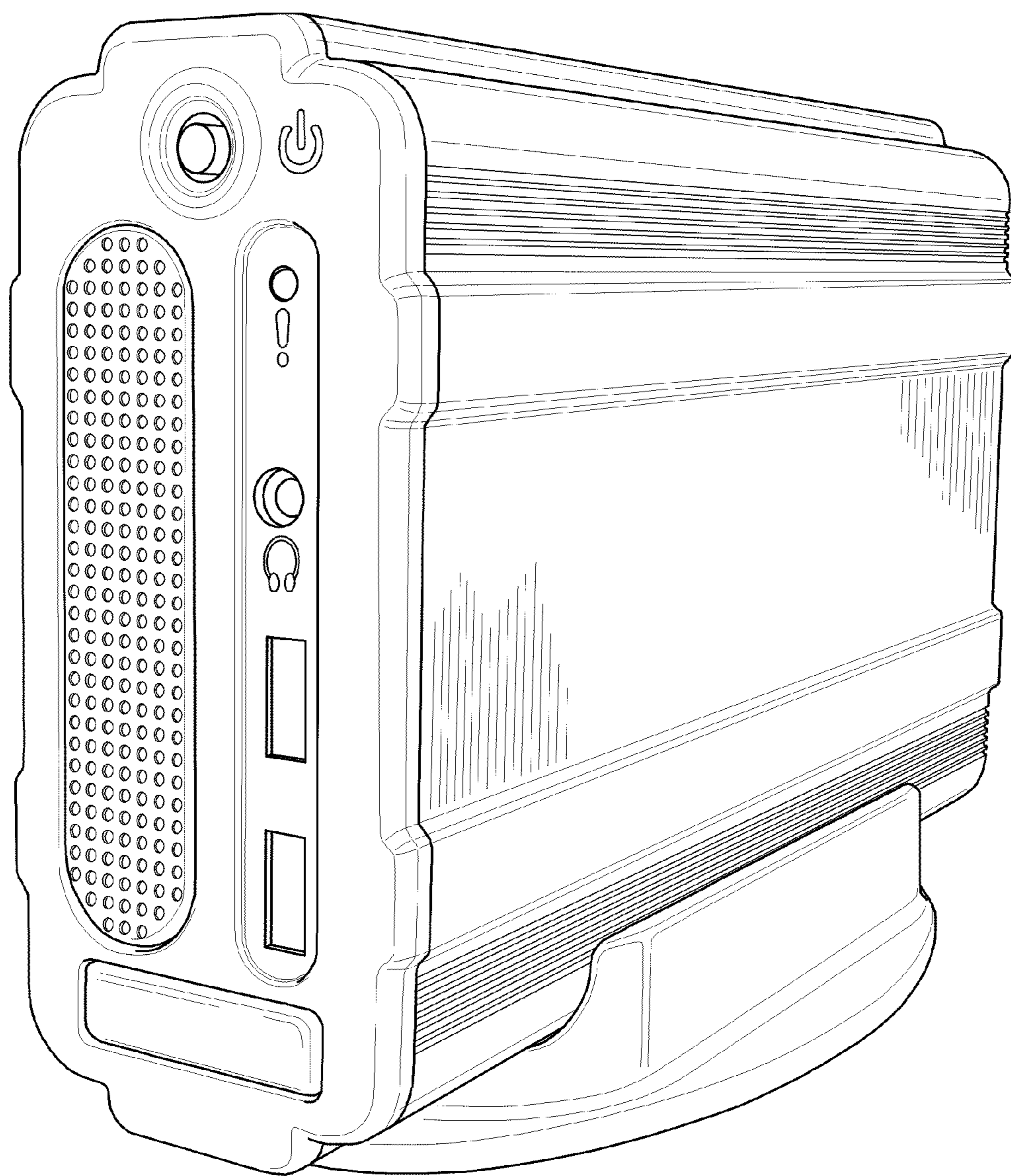


FIG. 1

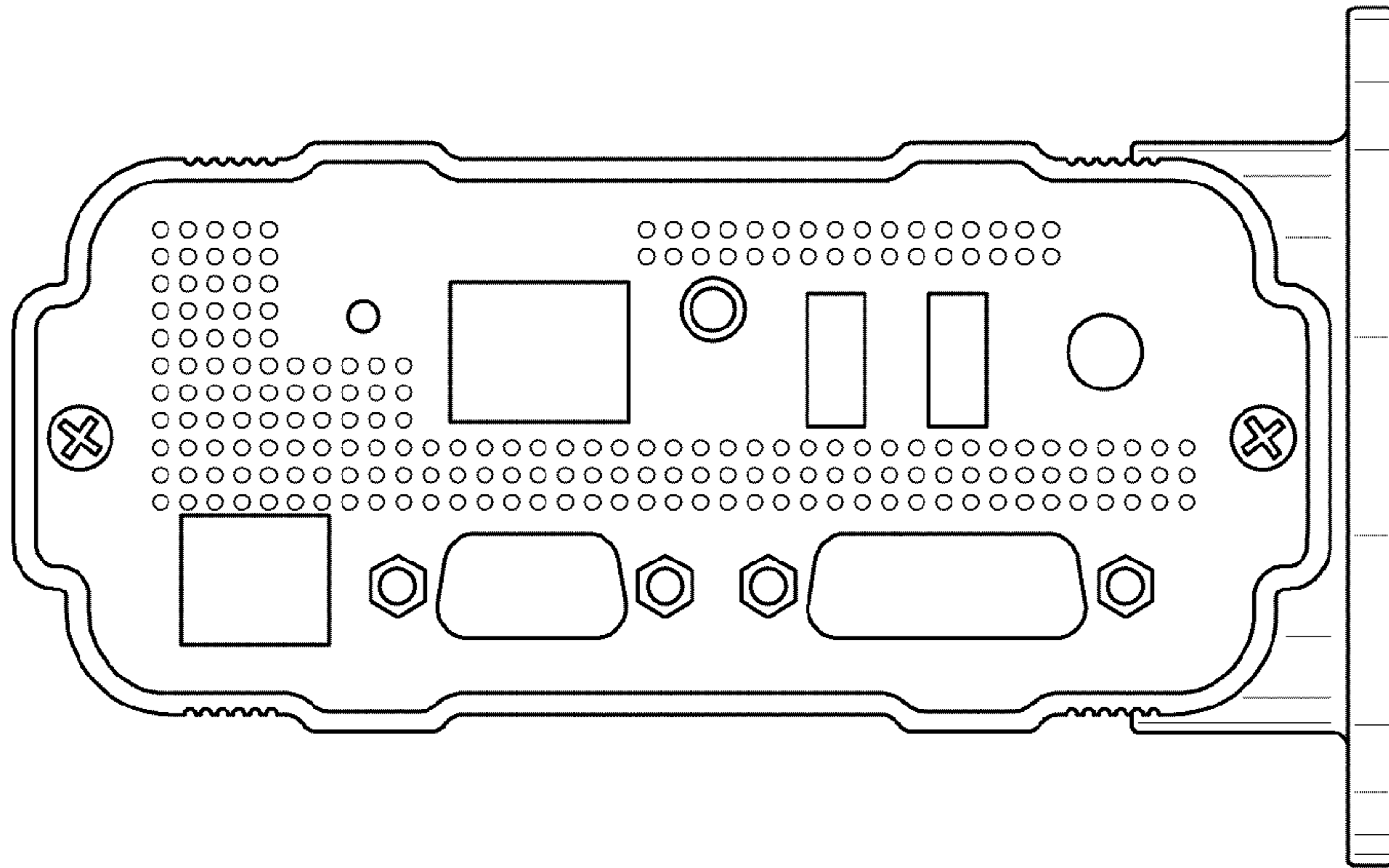


FIG. 3

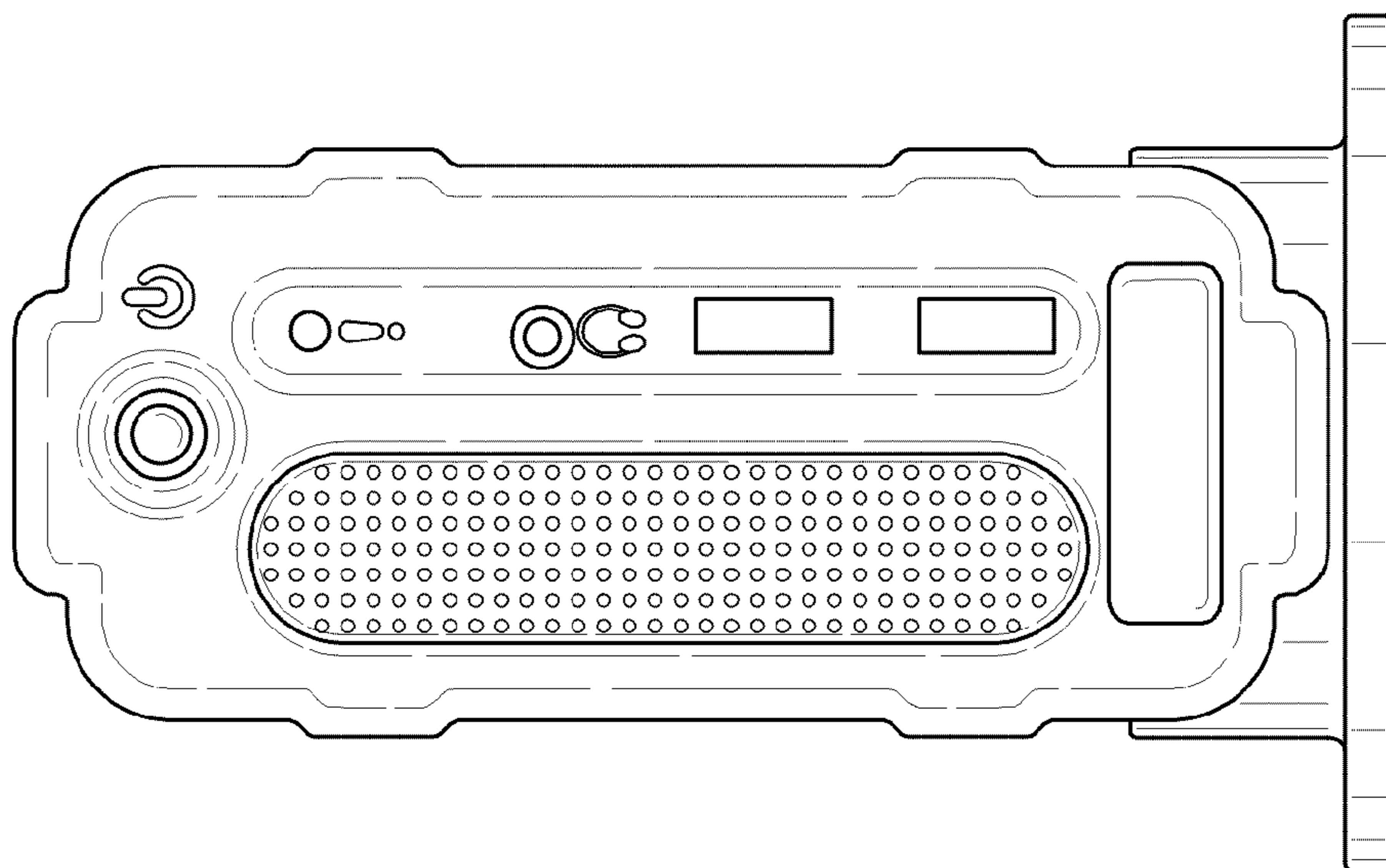


FIG. 2

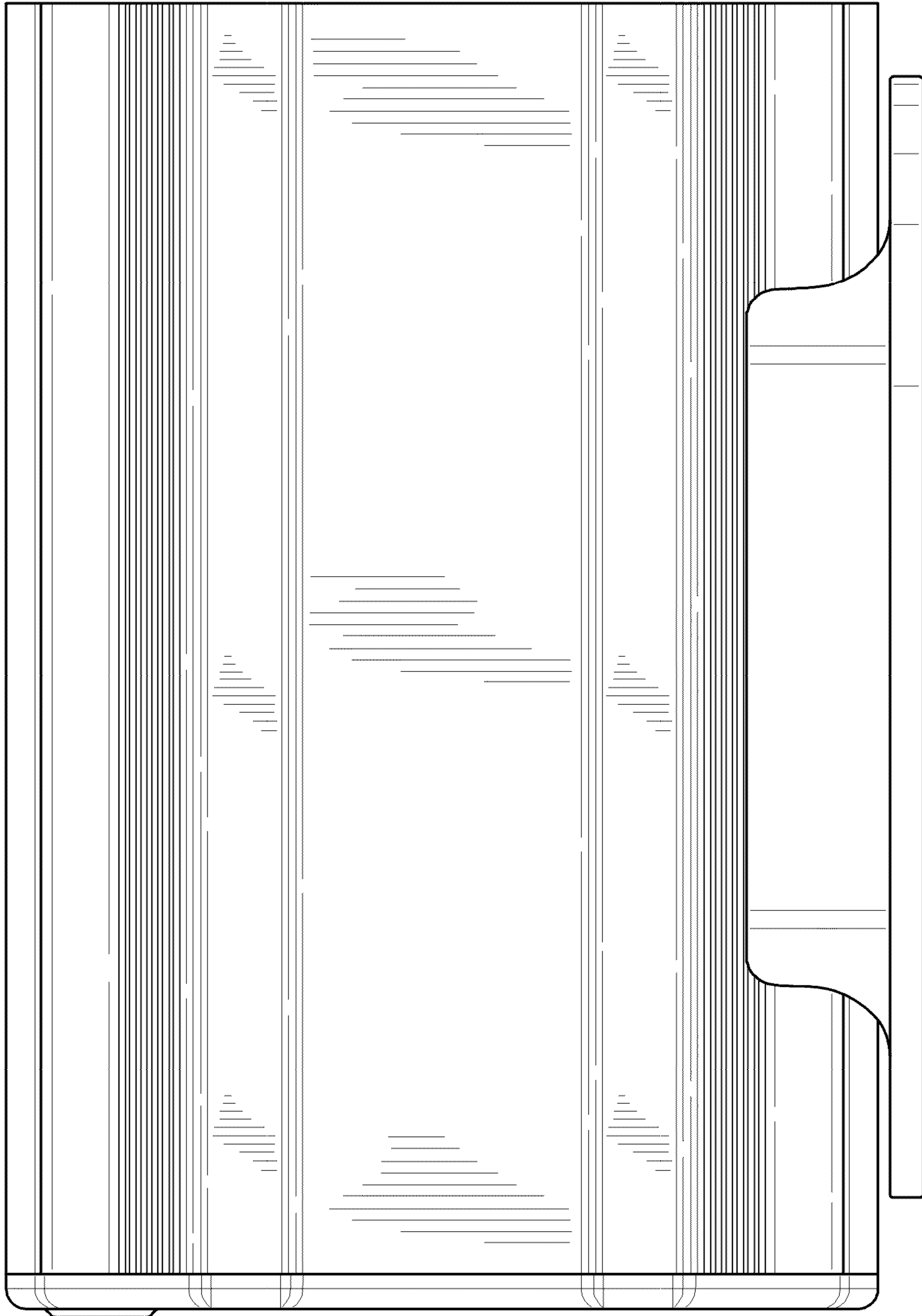


FIG. 4

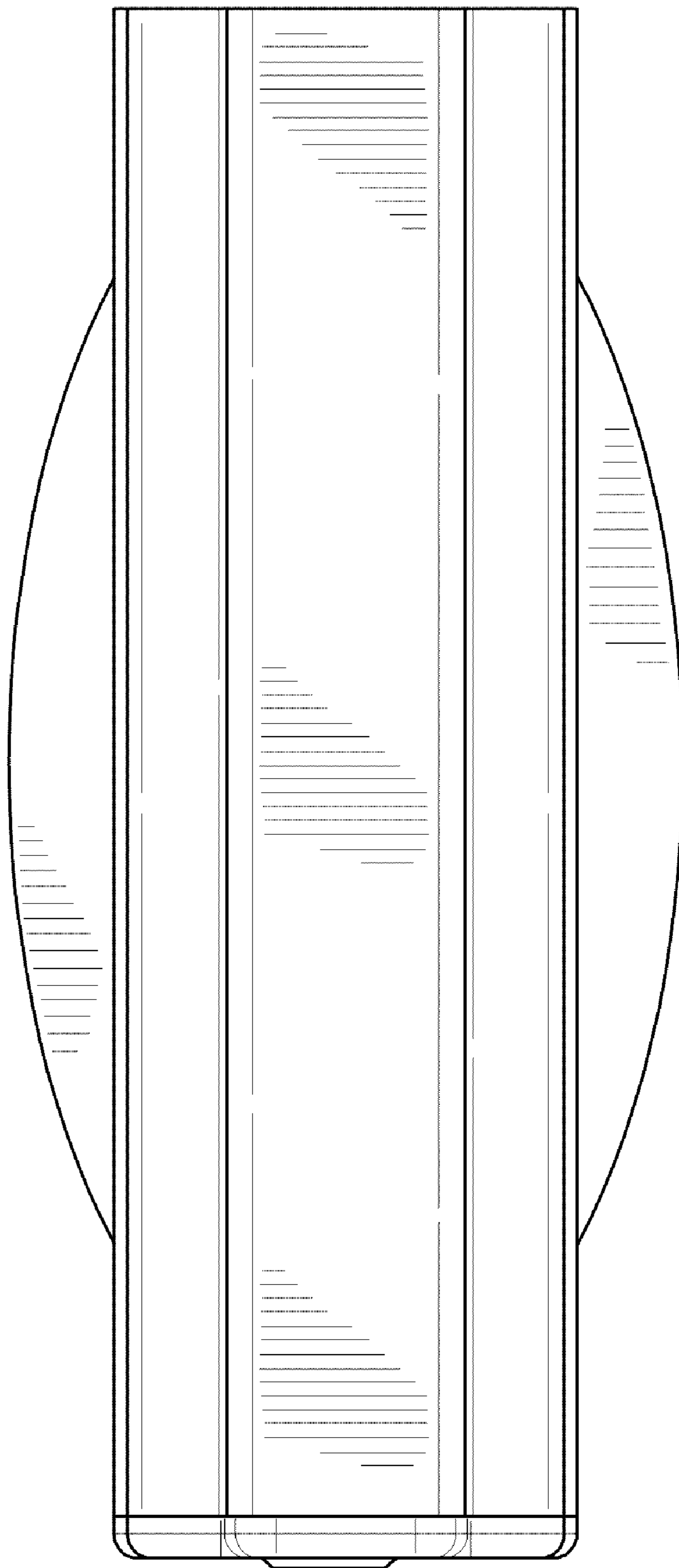


FIG. 5

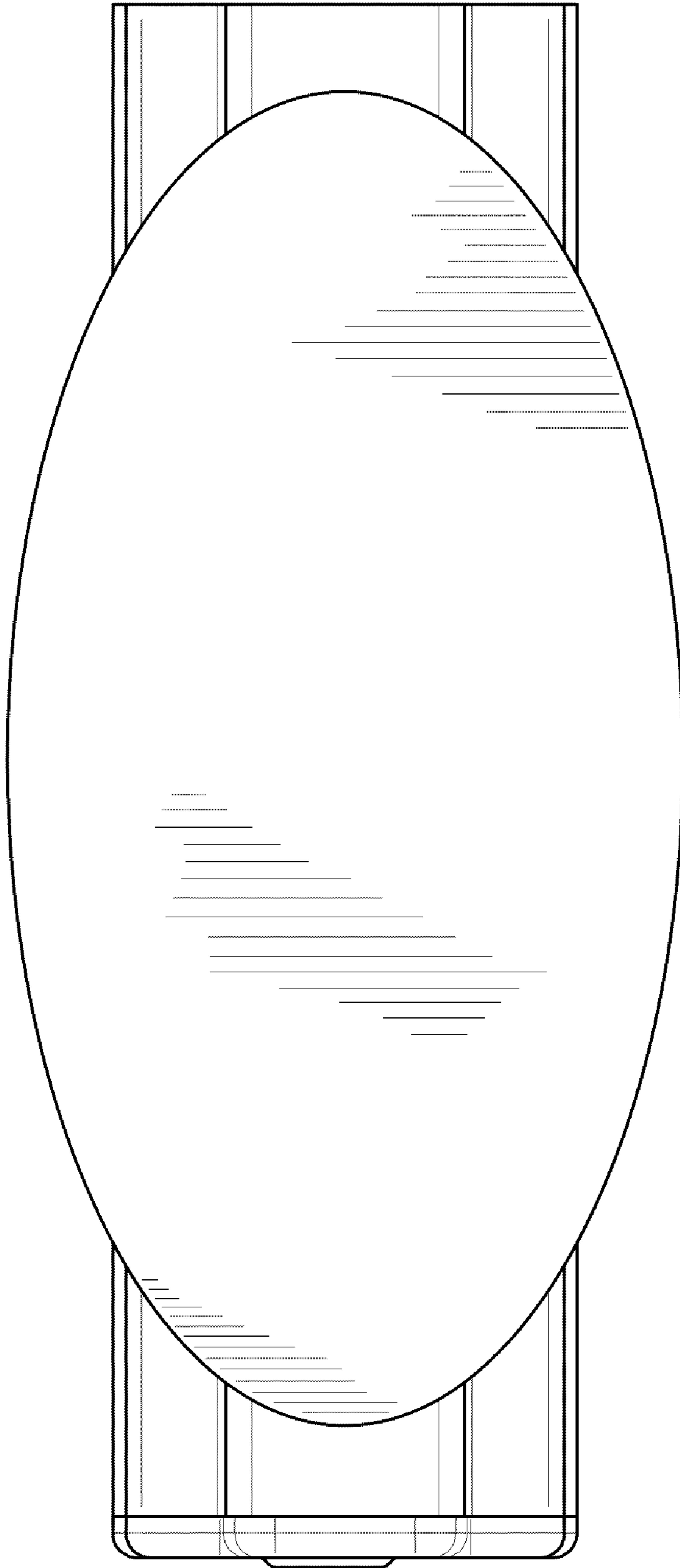


FIG. 6