



US00D647516S

(12) **United States Design Patent**  
**Brabander**

(10) **Patent No.:** **US D647,516 S**

(45) **Date of Patent:** **\*\* \*Oct. 25, 2011**

(54) **HANDSET**

(75) Inventor: **Hans-Henning Brabander**, Munich (DE)

(73) Assignee: **Gigaset Communications GmbH** (DE)

(\*\*) Term: **14 Years**

(21) Appl. No.: **29/342,066**

(22) Filed: **Aug. 18, 2009**

(30) **Foreign Application Priority Data**

Jun. 17, 2009 (EM) ..... 001550815

(51) **LOC (9) Cl.** ..... **14-03**

(52) **U.S. Cl.** ..... **D14/248; D14/147**

(58) **Field of Classification Search** ..... D14/137, D14/138 R, 138 AA, 143-144, 147-148, D14/156, 218, 247-248, 341-347, 390, 399, D14/455-456, 496; D13/164, 168; D21/329, D21/331, 333, 517; 343/702; 348/14.01-14.02; 361/814; 379/433.01-433.13; 439/165; 455/90.3, 556.1-556.2, 566, 575.1, 575.3, 455/575.4; 345/167, 168, 169

See application file for complete search history.

(56) **References Cited**

**U.S. PATENT DOCUMENTS**

D361,328 S	8/1995	White	
5,717,753 A *	2/1998	Birmanns	379/419
D406,133 S *	2/1999	Hackbarth	D14/138 AA
D412,169 S *	7/1999	Schnell et al.	D14/138 AA
D413,884 S	9/1999	Ogawa	
D442,157 S	5/2001	Muenschler et al.	
D456,794 S	5/2002	Laverick et al.	
D468,281 S	1/2003	Taniguchi et al.	
D486,808 S	2/2004	Aihara	
D488,787 S	4/2004	Jung	
D515,537 S *	2/2006	Kim et al.	D14/138 AA
D516,049 S	2/2006	Hwang	

D526,296 S *	8/2006	Wen	D14/138 AA
D526,637 S	8/2006	Shin	
D538,250 S	3/2007	Choi et al.	
D541,251 S	4/2007	Lee et al.	
D542,765 S	5/2007	Cho et al.	
D545,793 S	7/2007	Kim et al.	
D552,582 S *	10/2007	Moon et al.	D14/138 AA
D552,584 S *	10/2007	Lee	D14/138 AA
D559,828 S *	1/2008	Iwai	D14/147
D562,283 S *	2/2008	Moon et al.	D14/138 AA
D562,286 S *	2/2008	Lim et al.	D14/138 AA
D563,374 S *	3/2008	Jung et al.	D14/138 AA
D571,775 S *	6/2008	Waterman et al.	D14/148
D572,696 S *	7/2008	Jung et al.	D14/138 AA
D573,971 S *	7/2008	Hikino et al.	D14/138 AA

(Continued)

**OTHER PUBLICATIONS**

Gigaset A580 IP, <URL:http://gigaset.com/hq/en/product/GIGASETA580IP.html>, retrieved from internet Mar. 12, 2010.\*

(Continued)

*Primary Examiner* — Rob Spear

*Assistant Examiner* — Carla Jobe Wright

(74) *Attorney, Agent, or Firm* — Schmeiser, Olsen & Watts, LLP

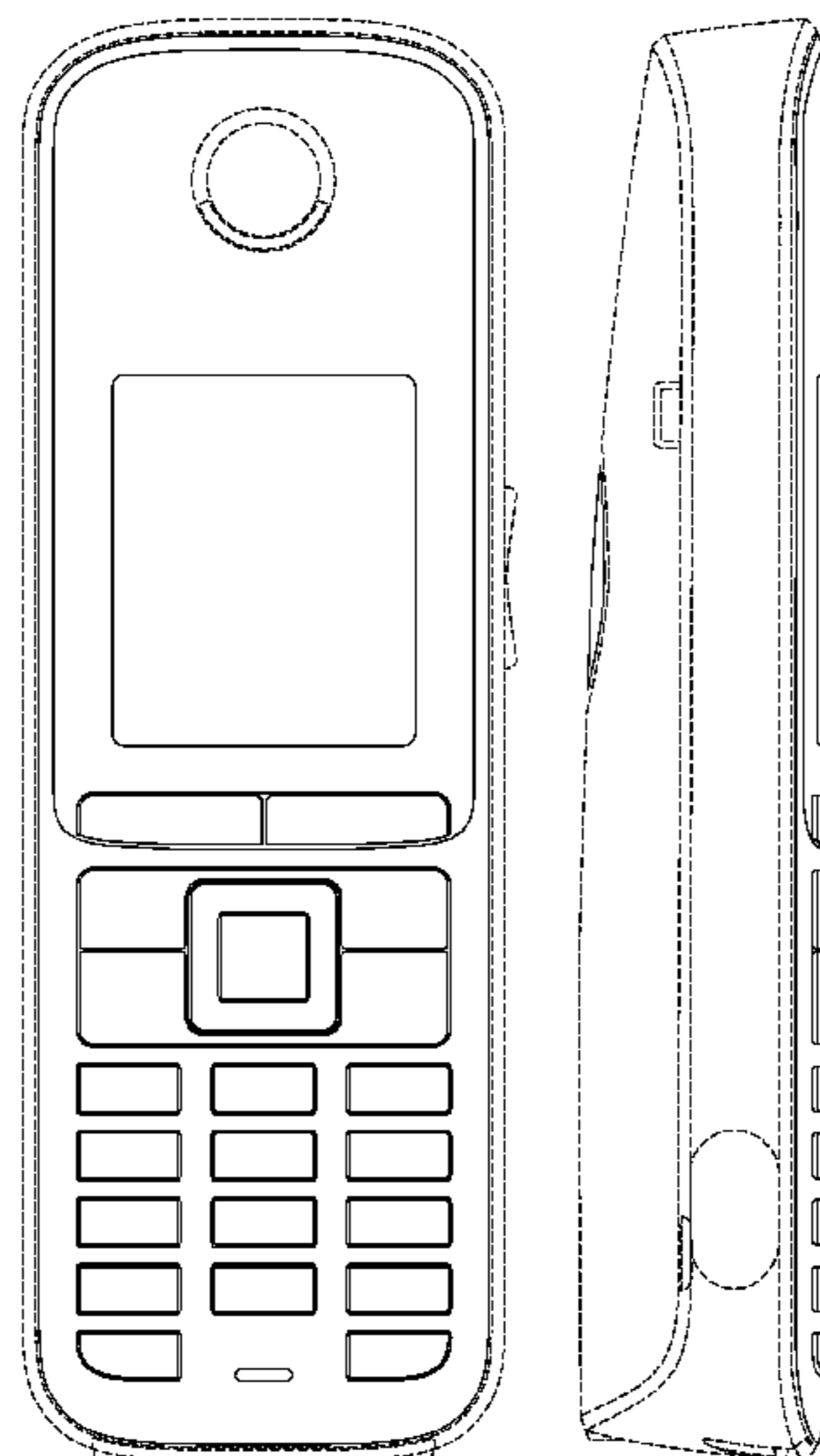
(57) **CLAIM**

The ornamental design for a handset, as shown and described.

**DESCRIPTION**

FIG. 1 shows a handset in right side perspective view. FIG. 2 shows the handset in front view. FIG. 3 shows the handset in rear view. FIG. 4 shows the handset in top view. FIG. 5 shows the handset in bottom view. FIG. 6 shows the handset in left side view; and, FIG. 7 shows the handset in right side view. In the drawings, the broken lines depict unclaimed portions of the handset.

**1 Claim, 6 Drawing Sheets**



# US D647,516 S

Page 2

## U.S. PATENT DOCUMENTS

D574,355 S \* 8/2008 Okawa et al. .... D14/147  
D578,101 S \* 10/2008 Park et al. .... D14/138 AA  
D580,404 S 11/2008 Lim et al.  
D580,405 S \* 11/2008 Lim et al. .... D14/138 AA  
D581,893 S 12/2008 Kim et al.  
D583,349 S \* 12/2008 Lee et al. .... D14/138 AA  
D583,354 S \* 12/2008 Gonser et al. .... D14/147  
D584,279 S \* 1/2009 Yoshie et al. .... D14/138 AA  
D586,326 S \* 2/2009 Hwang ..... D14/147  
D590,806 S 4/2009 Sandberg  
D595,257 S 6/2009 Wolfson  
D597,059 S \* 7/2009 Haspil et al. .... D14/147  
D598,408 S \* 8/2009 Arnold ..... D14/138 R  
D608,758 S 1/2010 Nahal et al.  
D610,115 S \* 2/2010 Seo et al. .... D14/138 AA  
D615,957 S \* 5/2010 Ju et al. .... D14/147  
D615,958 S \* 5/2010 Tkachuk et al. .... D14/148  
D617,761 S \* 6/2010 Wang ..... D14/138 AA  
D618,657 S \* 6/2010 Sakamoto ..... D14/147

D618,658 S \* 6/2010 Sakamoto et al. .... D14/147  
D619,980 S \* 7/2010 Kang ..... D14/138 AA  
D620,915 S \* 8/2010 Brabander ..... D14/147  
2003/0176205 A1 9/2003 Oota et al.

## OTHER PUBLICATIONS

Gigaset S795, <URL:<http://gigaset.com/hq/en/product/GIGASETS795.html>>, retrieved from internet Mar. 12, 2010.\*  
Gigaset 590, <URL:<http://gigaset.com/hq/en/product/GIGASETC590.html>>, retrieved from internet Mar. 14, 2010.\*  
Gigaset C475, <URL:<http://gigaset.com/hq/en/product/GIGASETC475.html>>, retrieved from internet Mar. 14, 2010.\*  
Siemens Gigaset-SL78H, <URL:<http://www.101phones.com/details/2599-10496/siemens-gigaset-sl78h.html>>, retrieved from internet Mar. 12, 2011.\*  
Philips SE6590B, <URL:<http://www.101phones.com/details/3172-7171/philips-se6590b.html>>, retrieved from internet Mar. 12, 2011.\*

\* cited by examiner

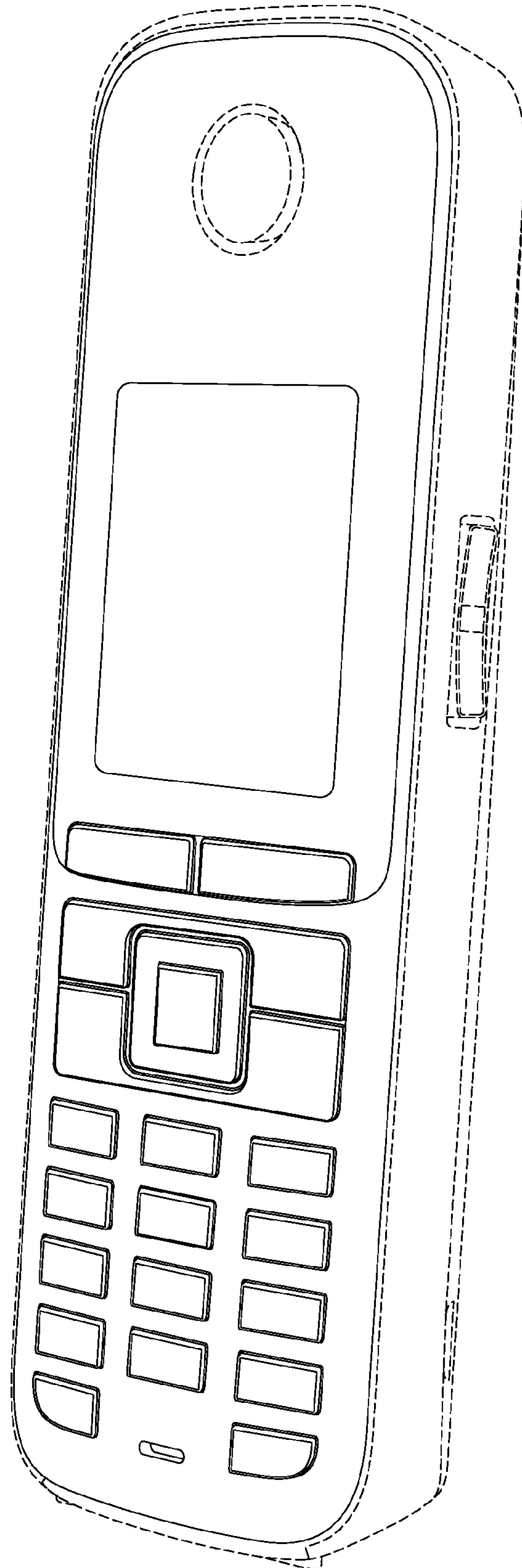


FIG. 1

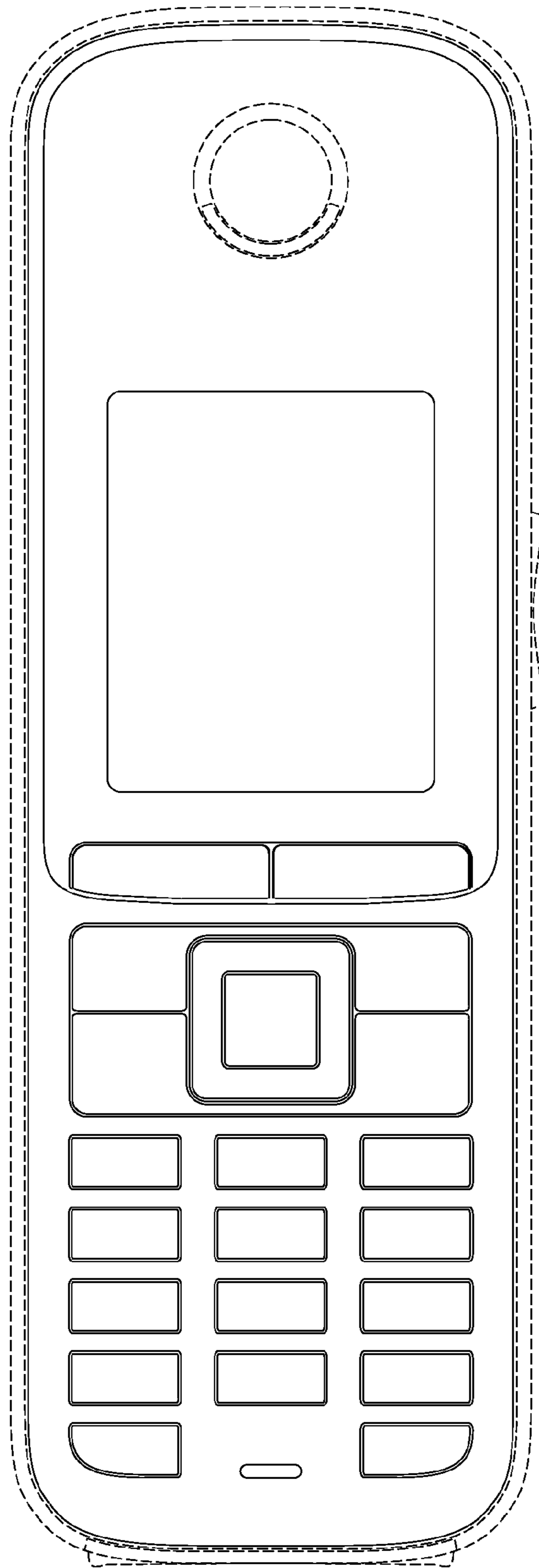


FIG. 2

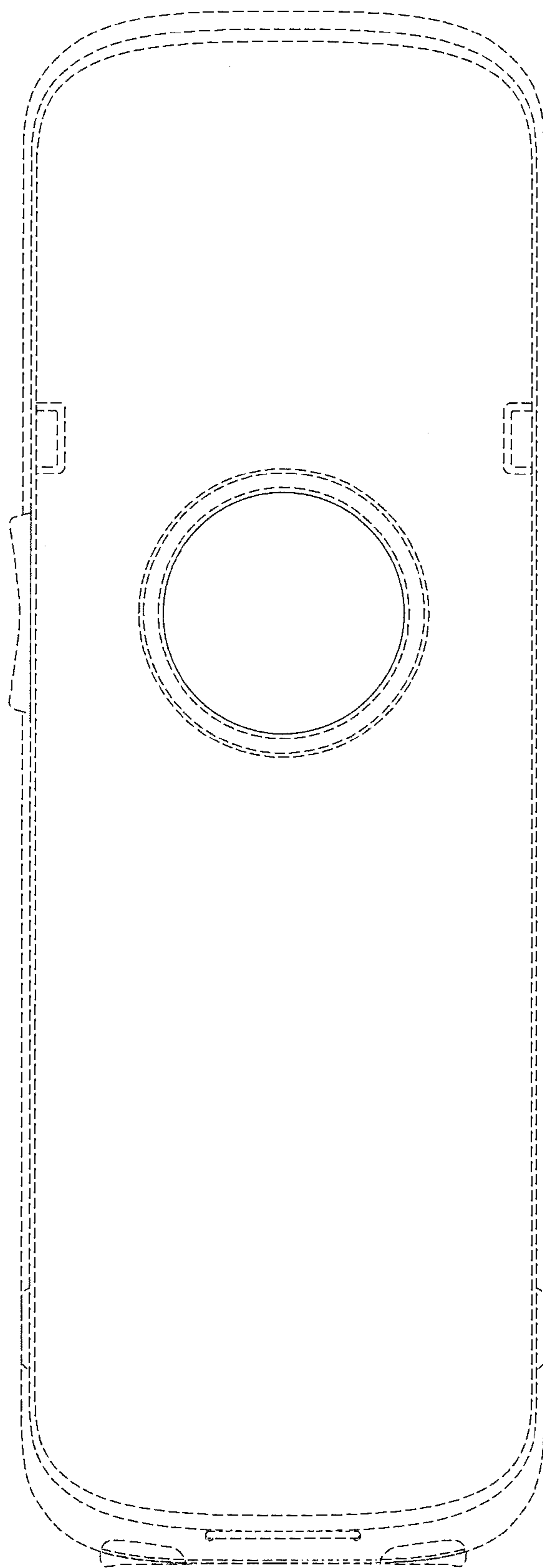


FIG. 3

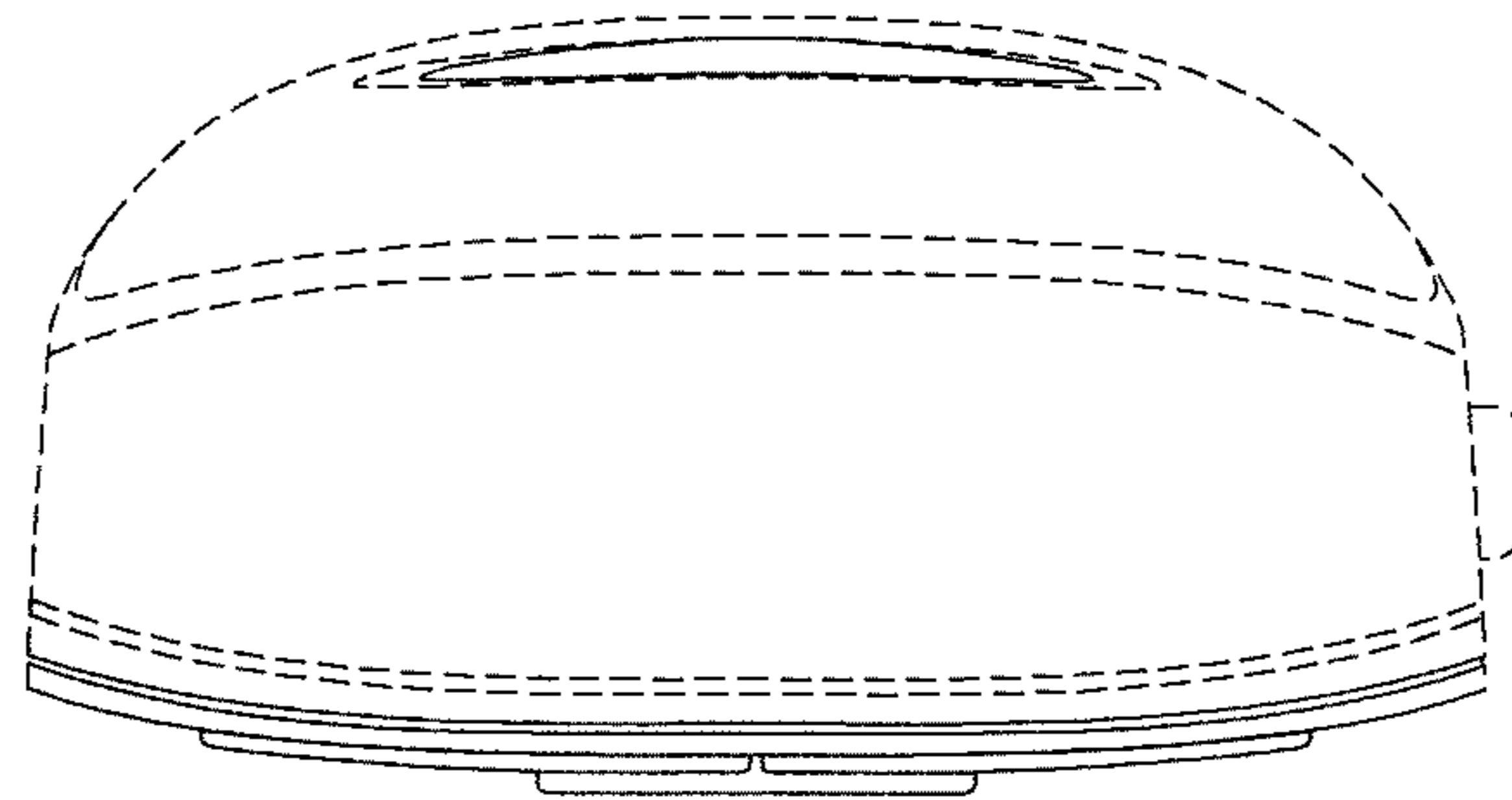


FIG. 4

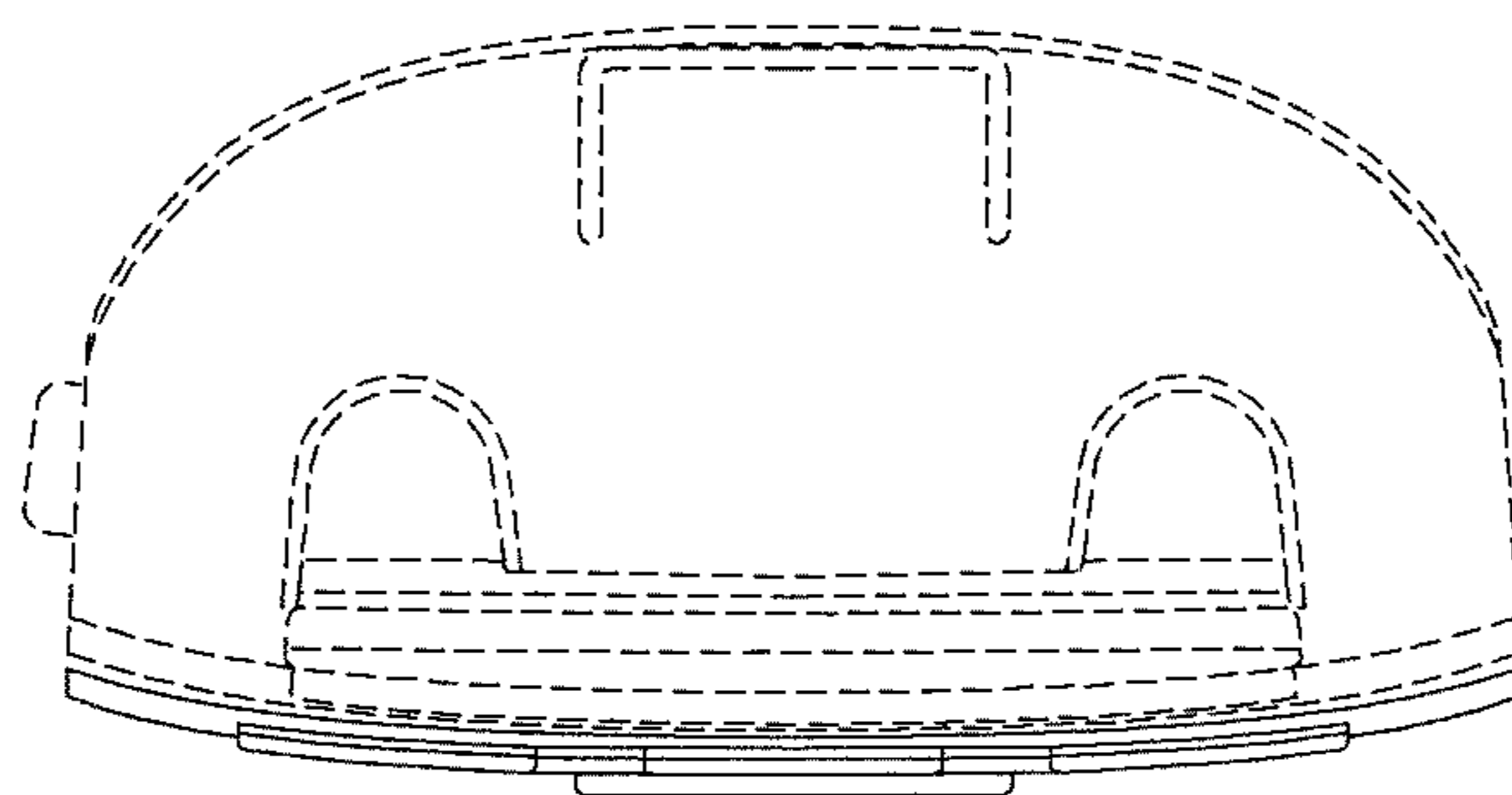


FIG. 5

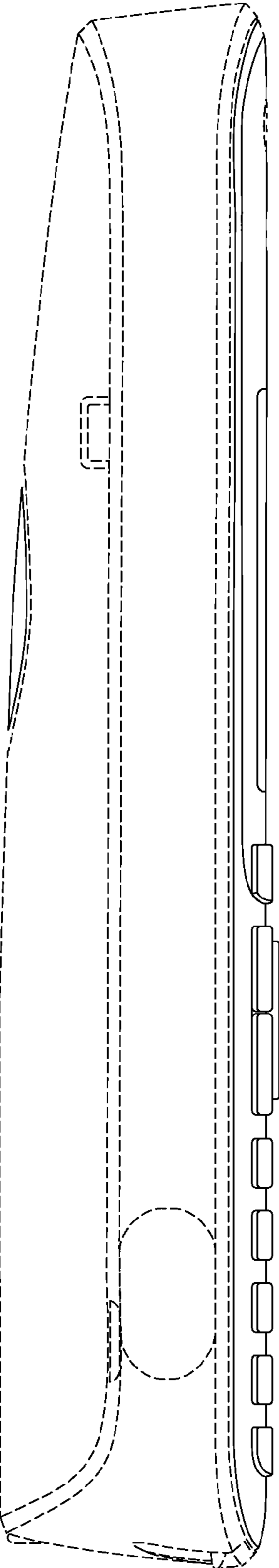


FIG. 6

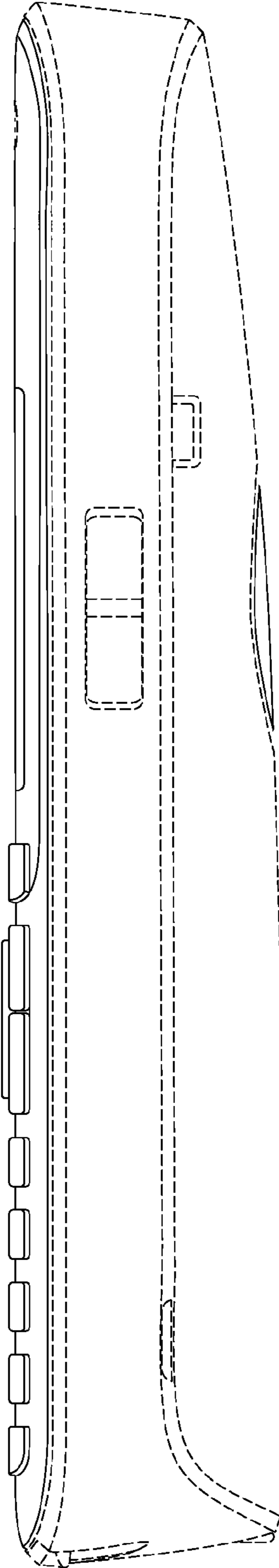


FIG. 7