



US00D647511S

(12) **United States Design Patent**
Maier et al.

(10) **Patent No.:** **US D647,511 S**
(45) **Date of Patent:** **** Oct. 25, 2011**

- (54) **WIRELESS REMOTE CONTROL**
- (75) Inventors: **Ferdinand Maier**, Obertrum am See (AT); **Erwin Weitgasser**, Salzburg (AT); **Detlev Magerer**, Salzburg (AT)
- (73) Assignee: **fm marketing GmbH**, Obertrum am See (AT)
- (**) Term: **14 Years**
- (21) Appl. No.: **29/387,033**
- (22) Filed: **Mar. 8, 2011**

- (30) **Foreign Application Priority Data**
Sep. 8, 2010 (EP) 001751975
- (51) **LOC (9) Cl.** **14-03**
- (52) **U.S. Cl.** **D14/218**
- (58) **Field of Classification Search** D14/218, D14/455; D13/168; D21/566; D10/104, D10/106; 345/169; 348/14.05, 114, 211.99, 348/734; 340/825.24; 341/22; 455/92, 95, 455/128, 151.1-151.4, 352, 355, FOR. 121; 700/65
See application file for complete search history.

- (56) **References Cited**
U.S. PATENT DOCUMENTS
D385,540 S * 10/1997 Taylor D13/168
D385,541 S * 10/1997 Taylor D13/168
D427,583 S * 7/2000 Kazama D14/218
D450,662 S * 11/2001 Kwok D13/168
D531,585 S * 11/2006 Weitgasser et al. D13/168
D532,779 S * 11/2006 Kim et al. D14/218
D533,514 S * 12/2006 Hidalgo D13/168
D535,261 S * 1/2007 Daniels D13/168
D543,197 S * 5/2007 Loughnane D14/218

- D548,195 S * 8/2007 Poulet D13/168
- D548,197 S * 8/2007 Yen et al. D13/168
- D556,154 S * 11/2007 Poulet et al. D13/168
- D560,617 S * 1/2008 Poulet D13/158
- D565,555 S * 4/2008 Goto D14/218
- D568,827 S * 5/2008 Ikeda et al. D13/168
- D580,916 S * 11/2008 Huang D14/218
- D584,718 S * 1/2009 Moller et al. D14/218
- D588,611 S * 3/2009 Oh et al. D14/496
- D591,272 S * 4/2009 Vitito D14/218
- D611,456 S * 3/2010 Lin D14/218
- D614,604 S * 4/2010 Hoehn et al. D14/218
- D614,605 S * 4/2010 Teh et al. D14/218
- D620,456 S * 7/2010 Akana et al. D13/168
- D621,371 S * 8/2010 Sheppard et al. D13/168
- D631,851 S * 2/2011 Smith et al. D13/168
- D633,478 S * 3/2011 Bolton D14/218
- D634,735 S * 3/2011 Maier D14/218
- D636,761 S * 4/2011 Hansen et al. D14/218
- D639,782 S * 6/2011 Kim D14/218

* cited by examiner

Primary Examiner — Celia Murphy
Assistant Examiner — John Windmuller
(74) *Attorney, Agent, or Firm* — Senniger Powers LLP

(57) **CLAIM**
The ornamental design for a wireless remote control, as shown and described.

DESCRIPTION

FIG. 1 is a perspective view of a wireless remote control showing our new design;
FIG. 2 is a front elevation view thereof;
FIG. 3 is a rear elevation view thereof;
FIG. 4 is a right-side elevation view thereof;
FIG. 5 is a left-side elevation view thereof;
FIG. 6 is a top plan view thereof; and,
FIG. 7 is a bottom plan view thereof.

1 Claim, 6 Drawing Sheets

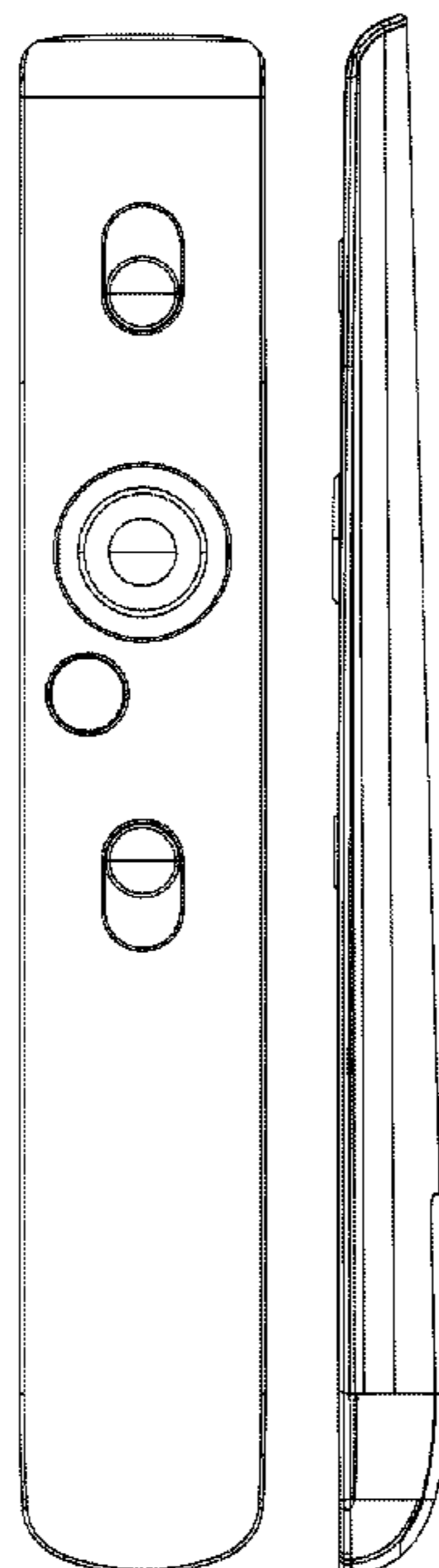


FIG. 1

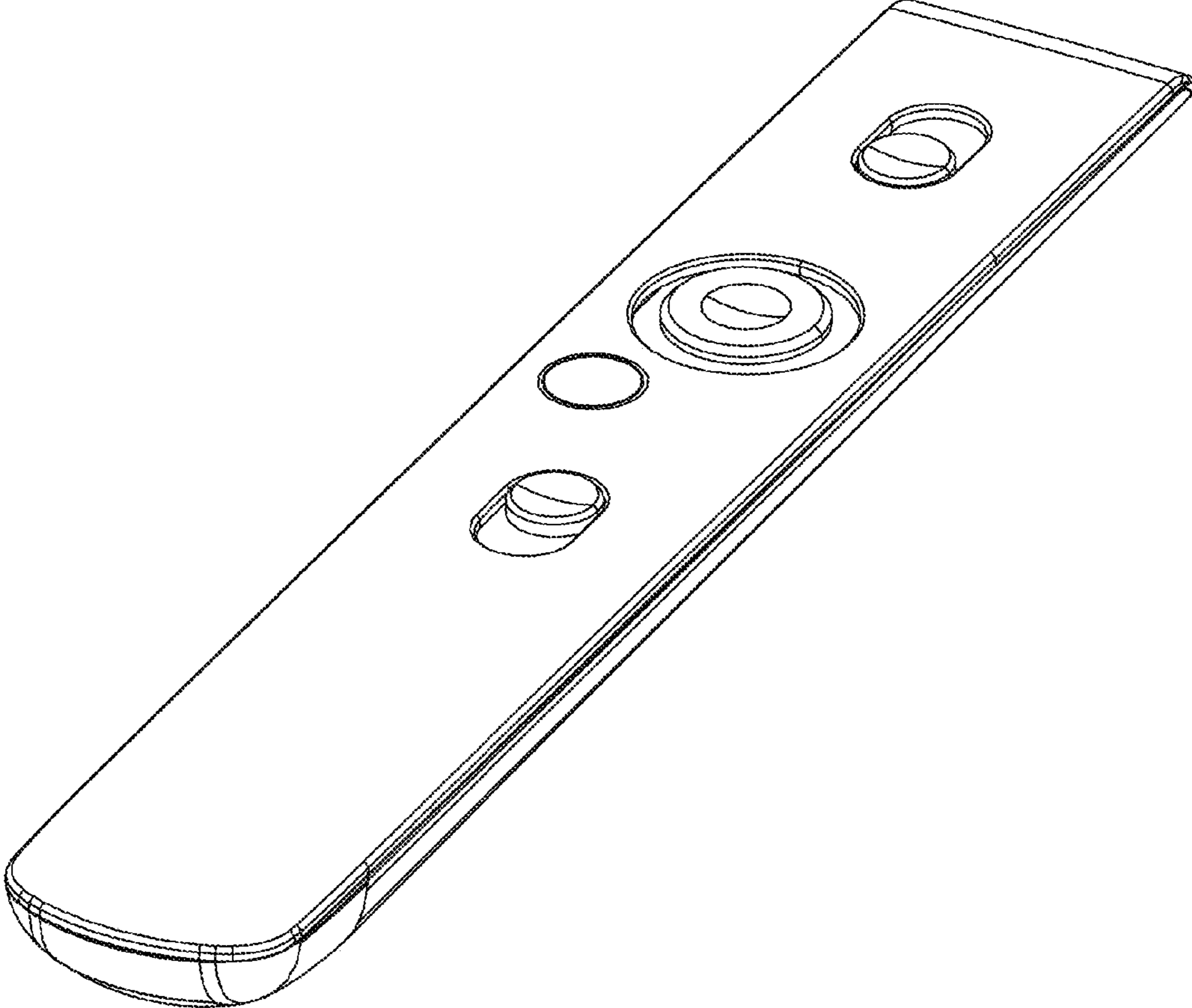


FIG. 2

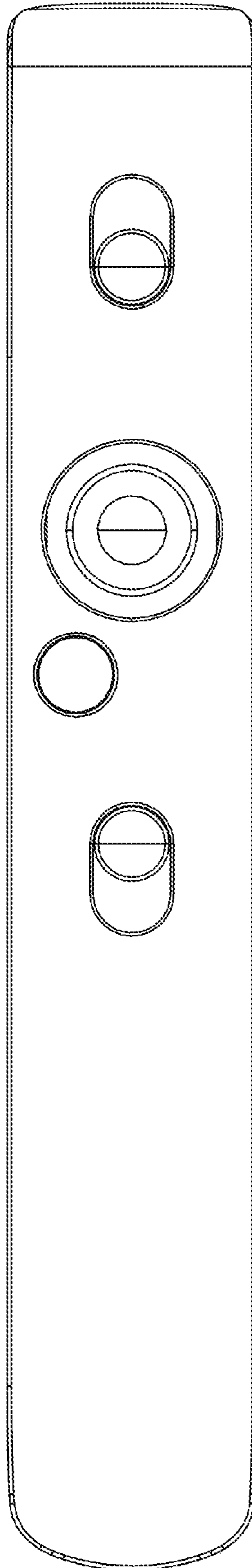


FIG. 3

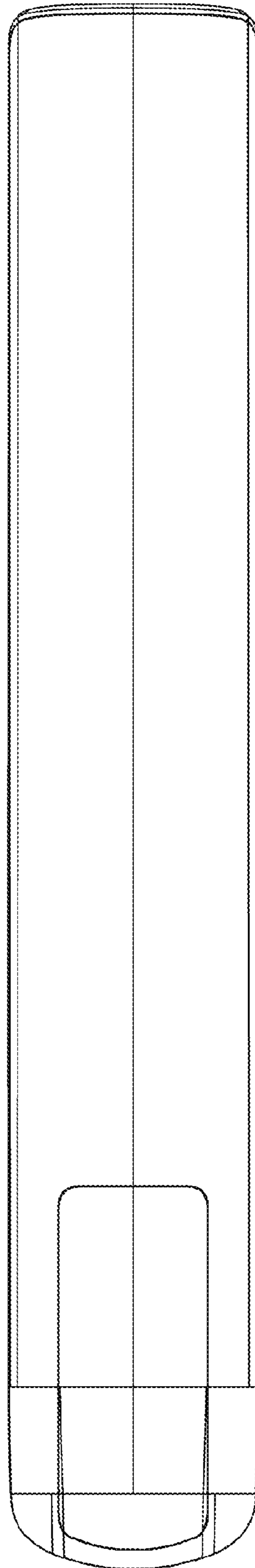


FIG. 4

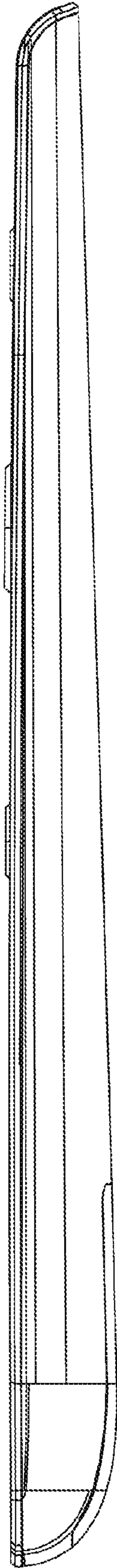


FIG. 5

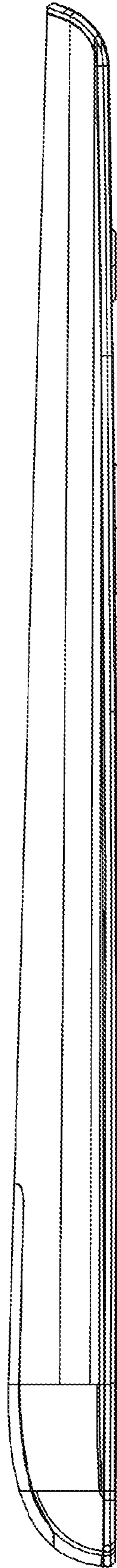


FIG. 6

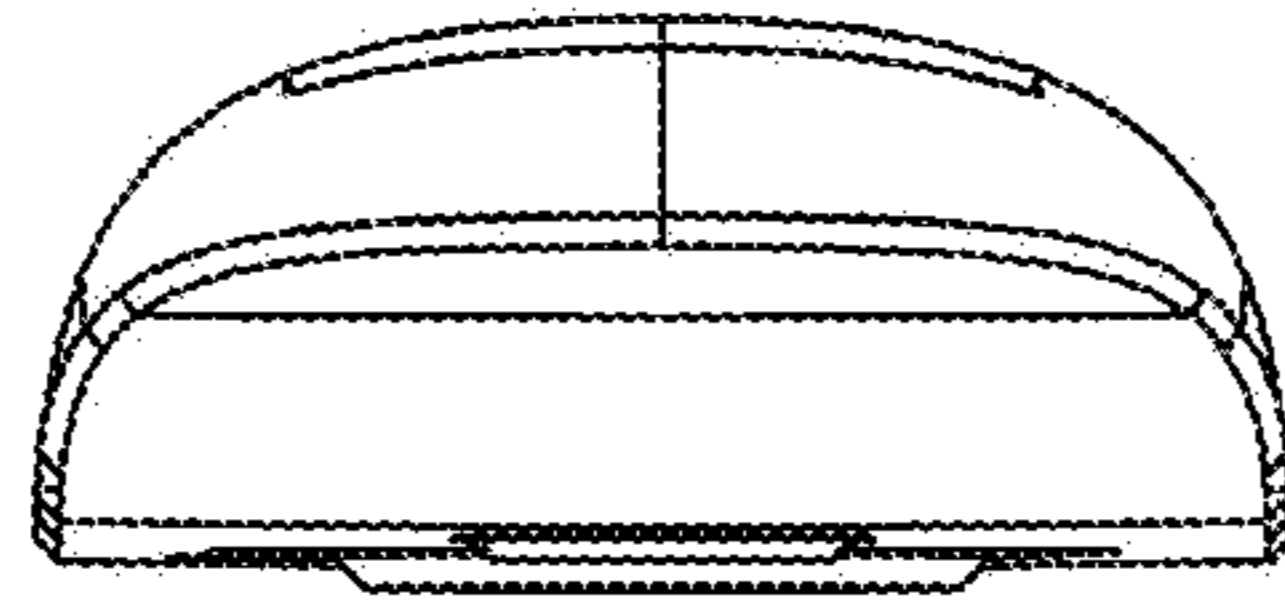


FIG. 7

