



US00D647507S

(12) **United States Design Patent**
Yuan et al.

(10) **Patent No.:** **US D647,507 S**
(45) **Date of Patent:** **** Oct. 25, 2011**

(54) **WIRELESS ILLUMINATIVE SPEAKER**

(75) Inventors: **Xiaotao Yuan**, Shenzhen (CN); **Qian Zhang**, Shenzhen (CN); **Hongyan Lu**, Shenzhen (CN)

(73) Assignee: **Muqun Cao**, Shenzhen (CN)

(**) Term: **14 Years**

(21) Appl. No.: **29/369,156**

(22) Filed: **Sep. 2, 2010**

(30) **Foreign Application Priority Data**

Jul. 29, 2010 (CN) 2010 3 0254576

(51) **LOC (9) Cl.** **14-01**

(52) **U.S. Cl.** **D14/216**

(58) **Field of Classification Search** D14/204,
D14/210–216, 172; 181/143–144, 147–148,
181/150–153, 157, 198–199; 381/300–303,
381/306, 332–333, 336, 345, 361–364, 386–388;
D26/2; 313/51, 58, 111, 113, 315
See application file for complete search history.

(56) **References Cited**

U.S. PATENT DOCUMENTS

4,574,906 A * 3/1986 White et al. 181/145
D379,537 S * 5/1997 Gallant et al. D26/2

D575,273 S * 8/2008 Cherry, II D14/216
D594,995 S * 6/2009 Komar D26/2
D621,385 S * 8/2010 Baron et al. D14/216

* cited by examiner

Primary Examiner — Nanda Bondade

(74) *Attorney, Agent, or Firm* — Morris Manning Martin LLP; Tim Tingkang Xia, Esq.

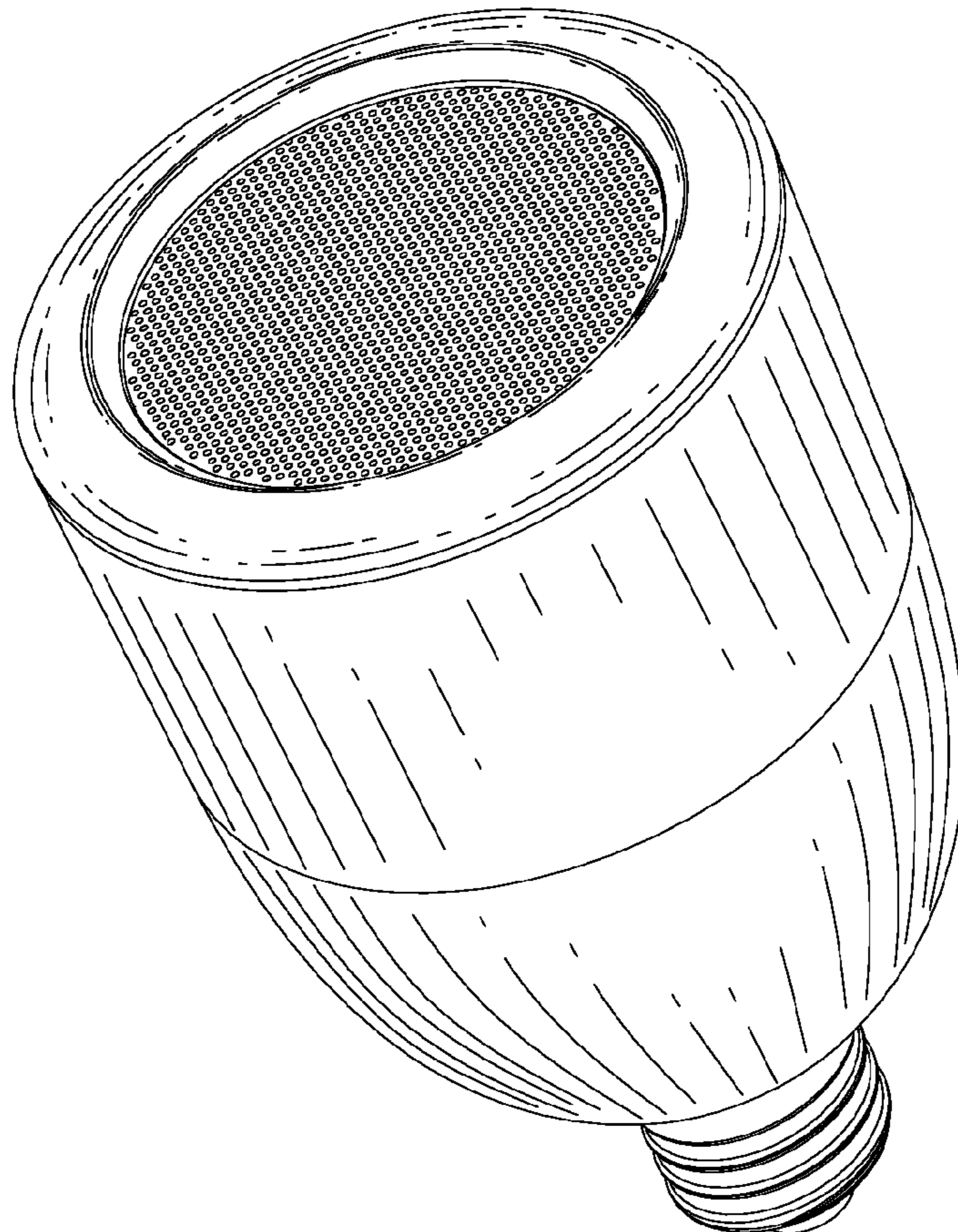
(57) **CLAIM**

The ornamental design for a “wireless illuminative speaker”, as shown and described.

DESCRIPTION

FIG. 1 is a perspective view of a “wireless illuminative speaker” of the present invention; FIG. 2 is a front elevational view thereof; FIG. 3 is a rear elevational view thereof; FIG. 4 is a left side elevational view thereof; FIG. 5 is a right side elevational view thereof; FIG. 6 is a top plan view thereof; and, FIG. 7 is a bottom plan view thereof. The broken line showing on the drawing disclosure is for illustrative purposes only and forms no part of the claimed design.

1 Claim, 7 Drawing Sheets



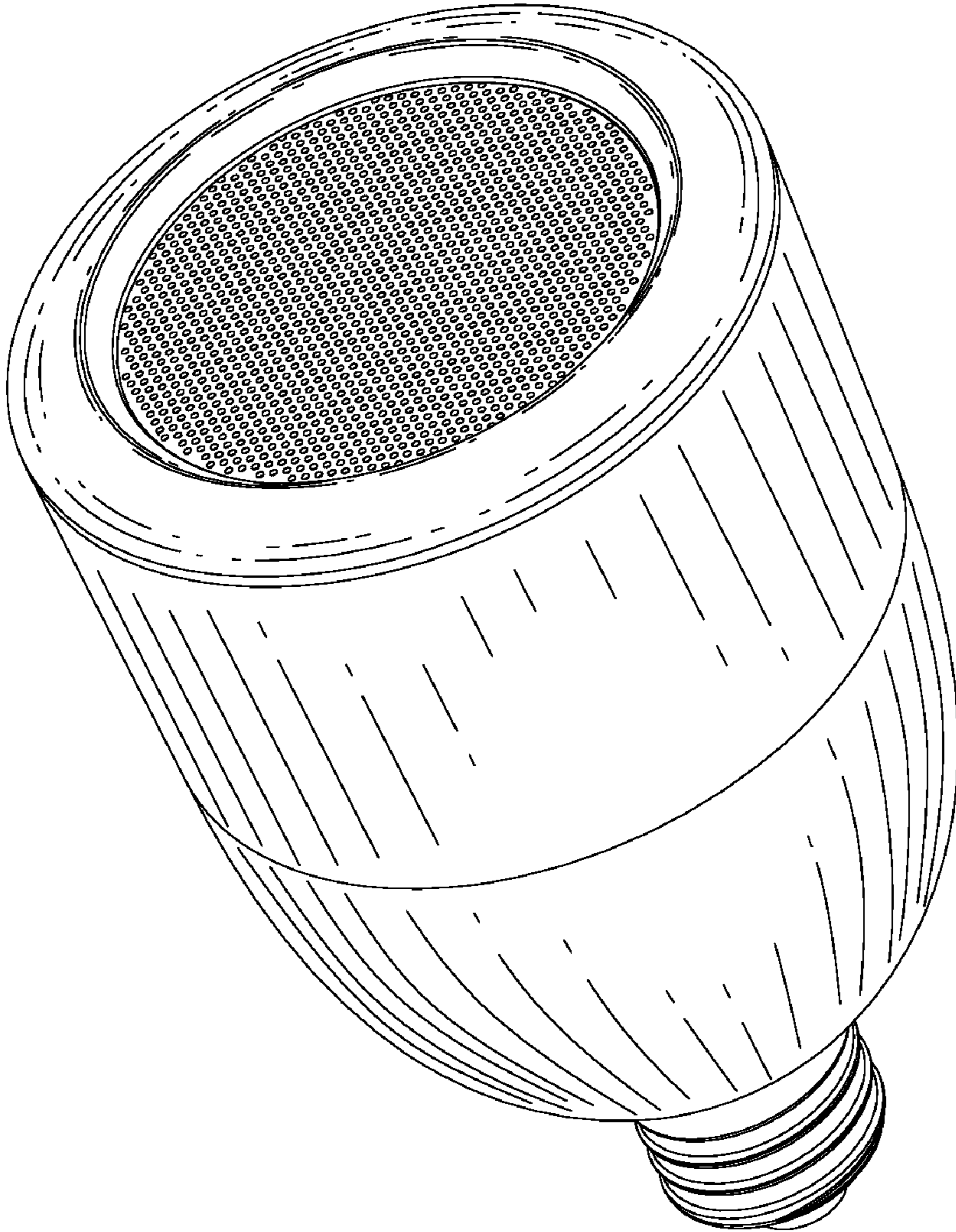


FIG. 1

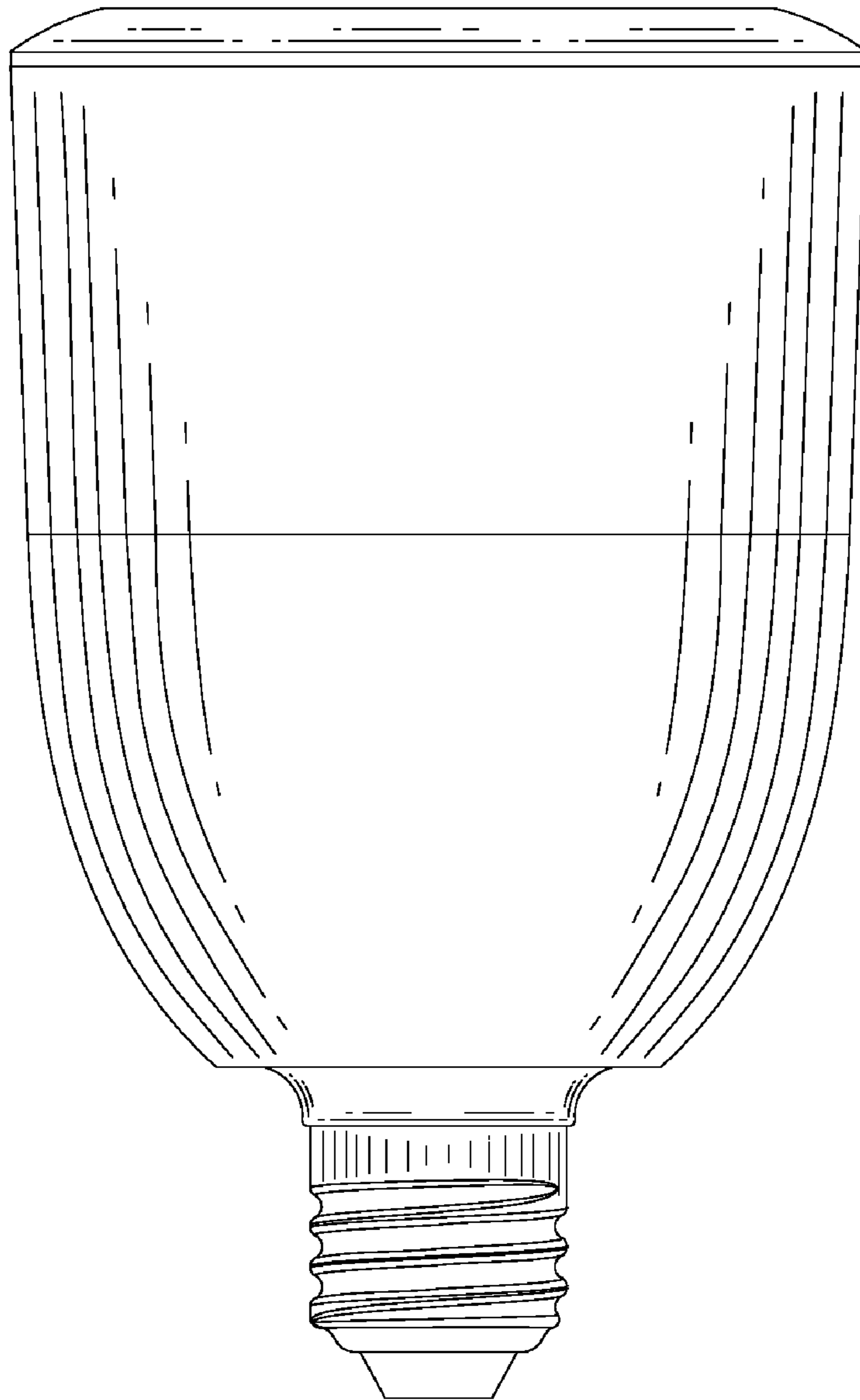


FIG. 2

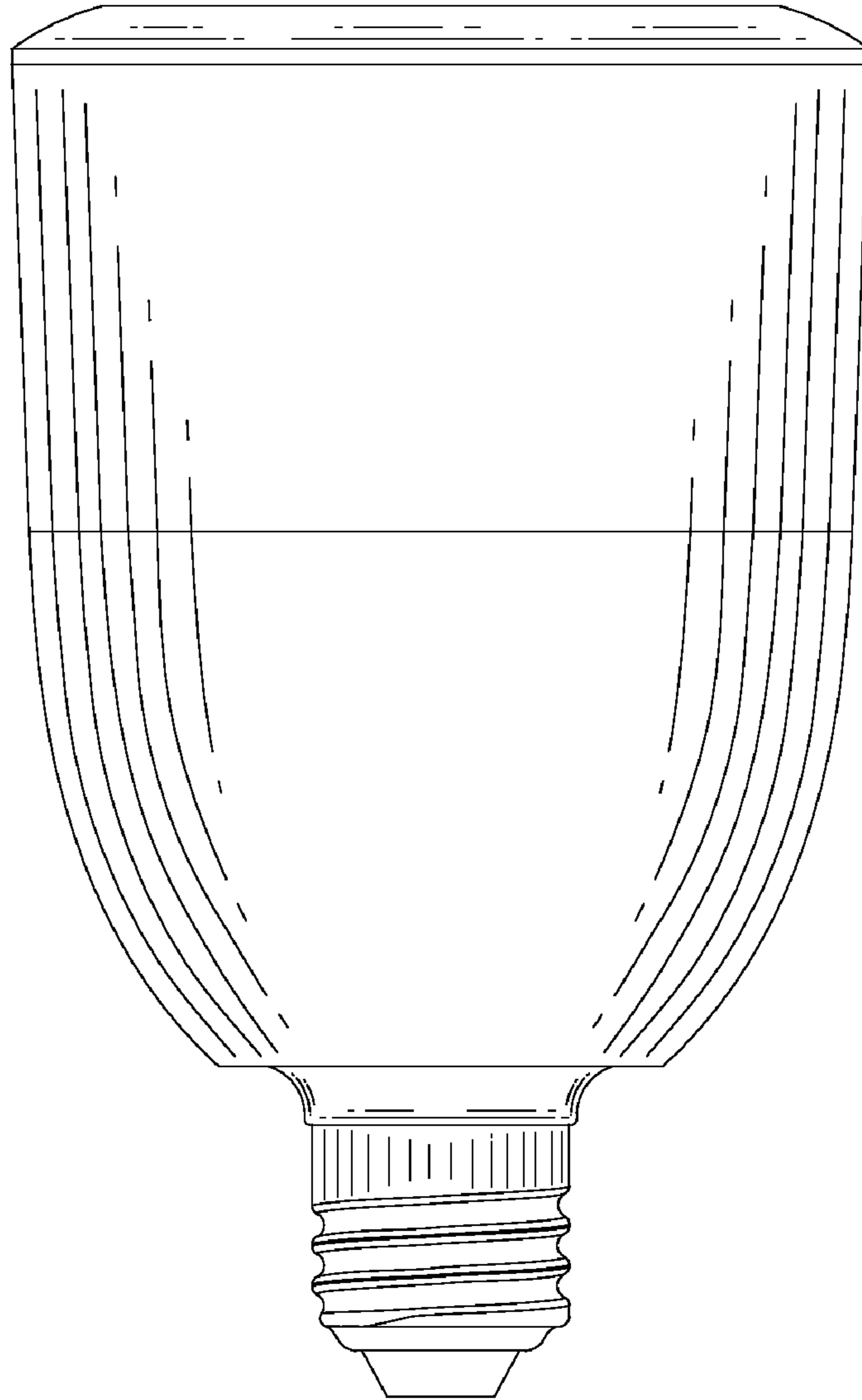


FIG. 3

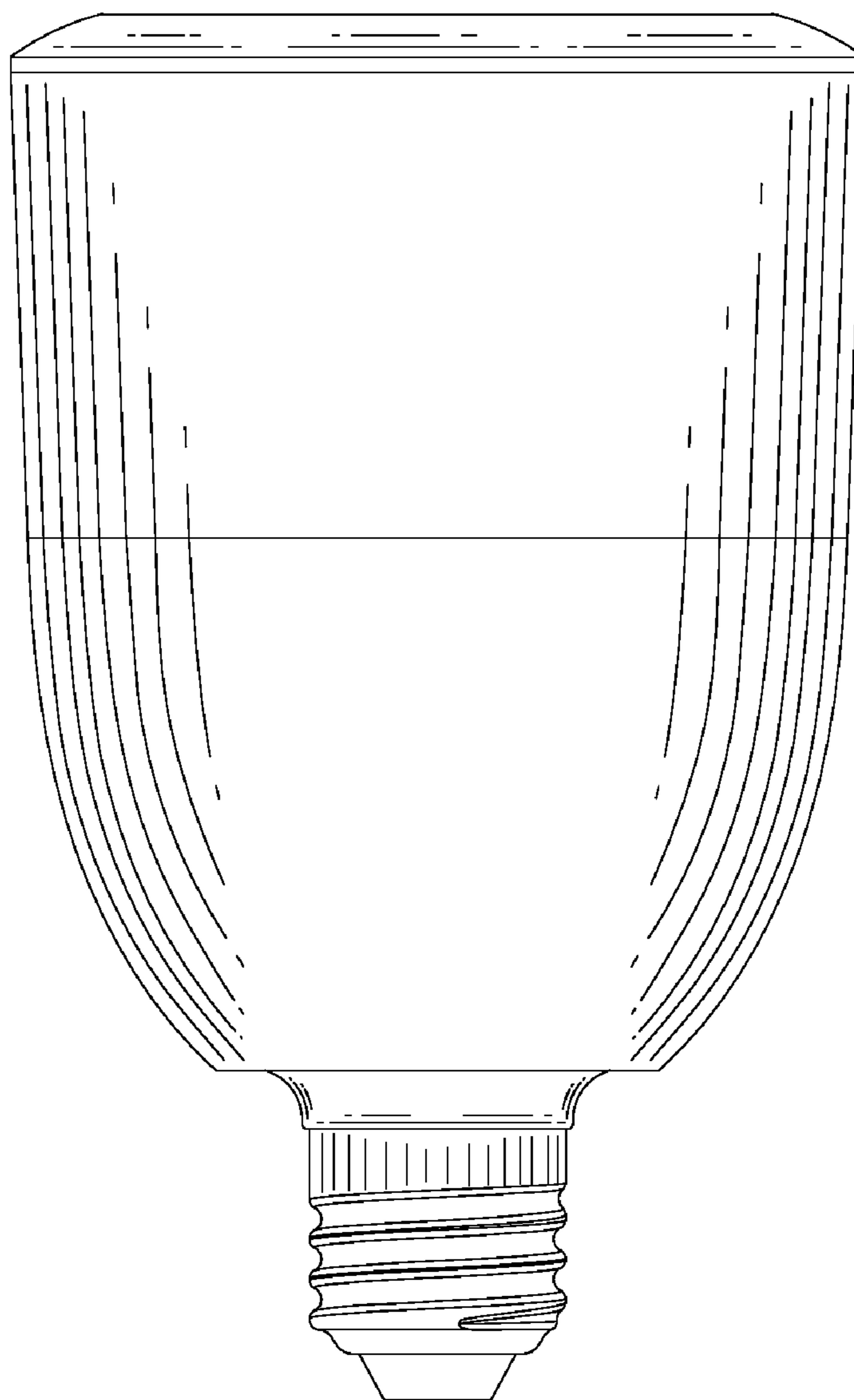


FIG. 4

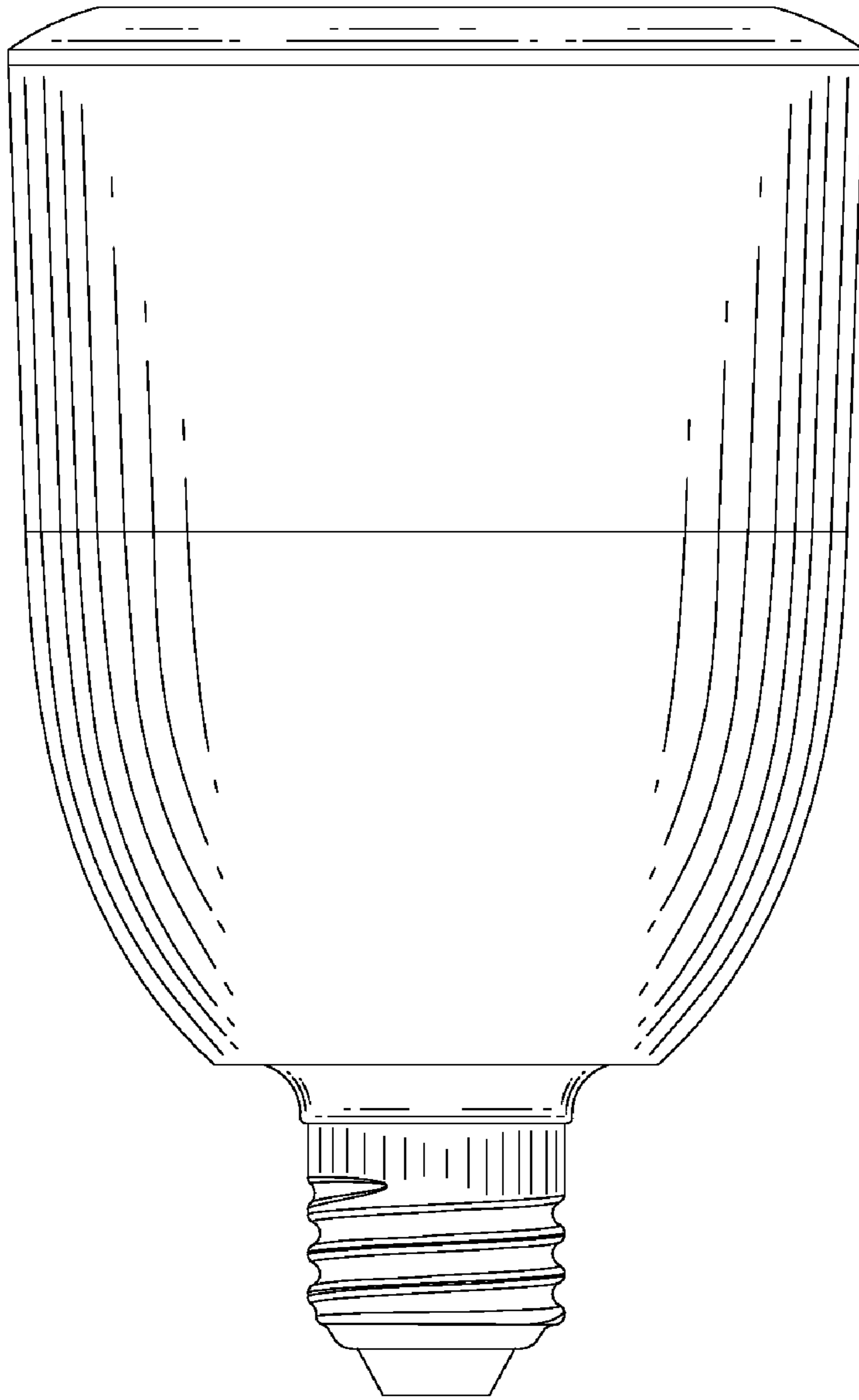


FIG. 5

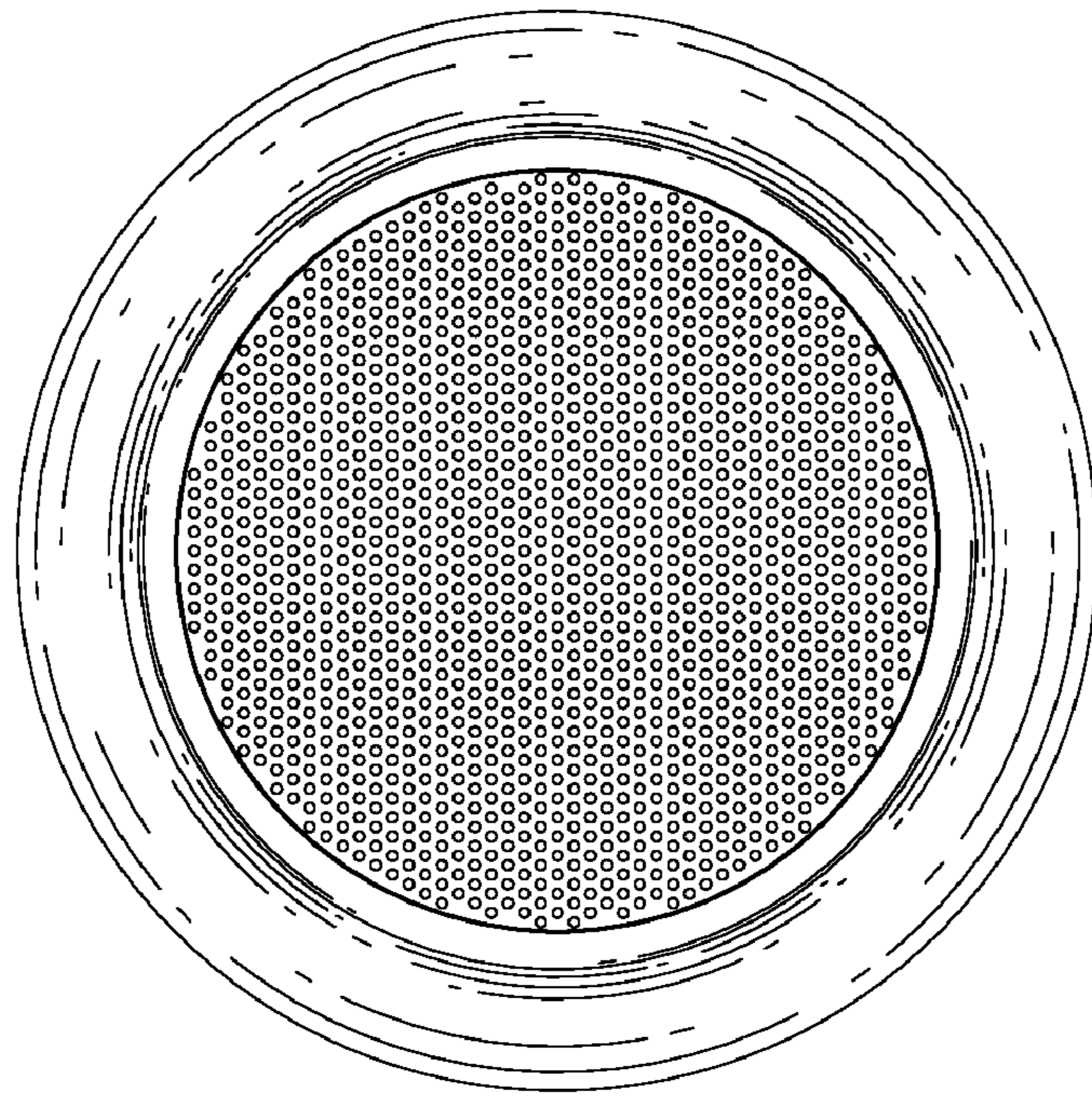


FIG. 6

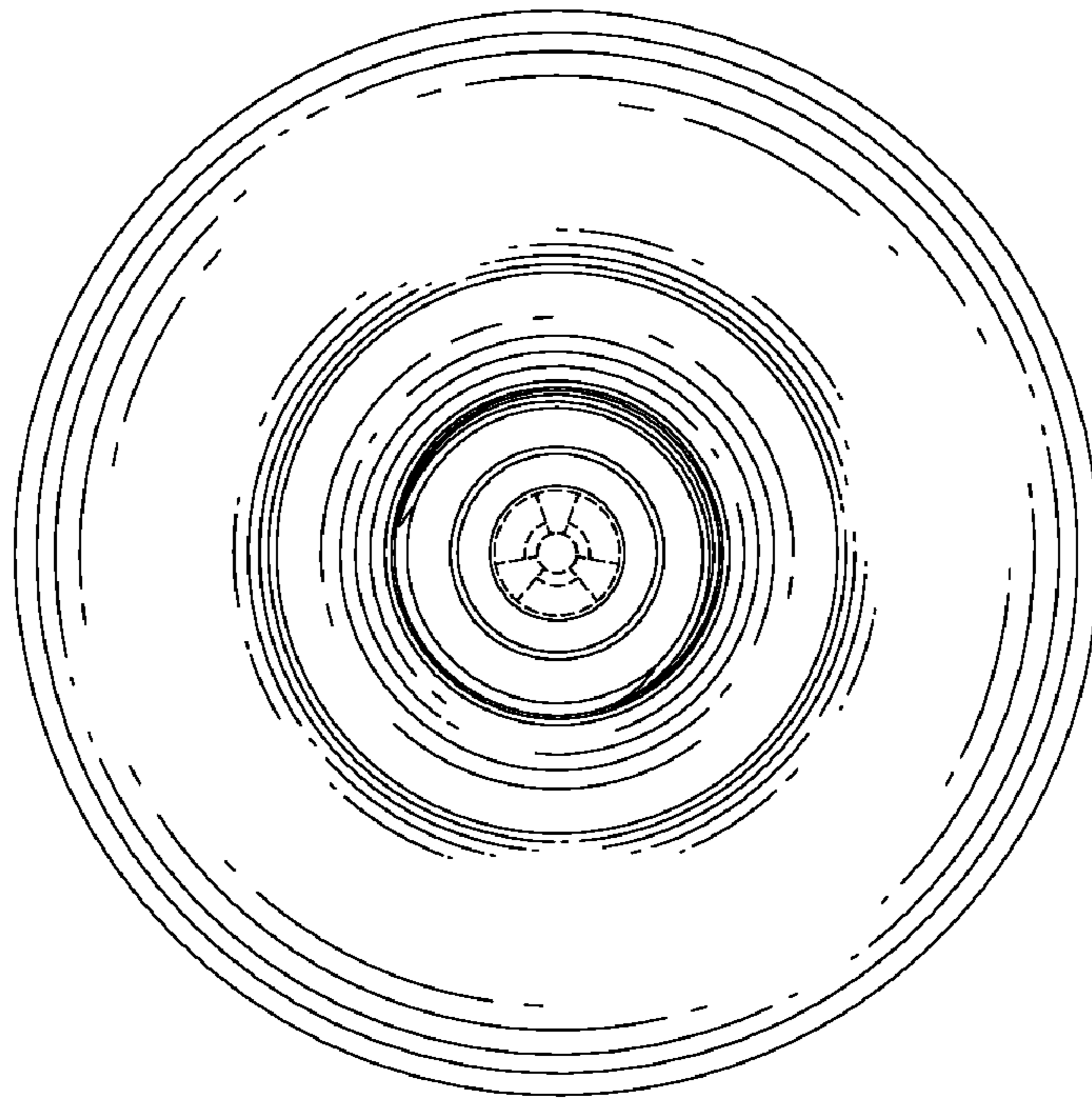


FIG. 7