



US00D647505S

(12) **United States Design Patent**  
**Skurdal**

(10) **Patent No.:** **US D647,505 S**

(45) **Date of Patent:** **\*\* Oct. 25, 2011**

(54) **PORTABLE DOCKING RECHARGEABLE  
SPEAKER SYSTEM**

(75) Inventor: **Andrew Skurdal**, Jersey City, NJ (US)

(73) Assignee: **SDI Technologies, Inc.**, Rahway, NJ  
(US)

(\*\*) Term: **14 Years**

(21) Appl. No.: **29/380,995**

(22) Filed: **Dec. 14, 2010**

(51) **LOC (9) Cl.** ..... **14-01**

(52) **U.S. Cl.** ..... **D14/209.1**

(58) **Field of Classification Search** ..... D14/204,  
D14/207, 209.1, 210–217, 168, 171, 172,  
D14/496; 181/143–144, 147–148, 150–153,  
181/157, 198–199; 381/300–303, 306, 332–333,  
381/336, 345, 361–364, 386–388; D13/108  
See application file for complete search history.

(56) **References Cited**

**U.S. PATENT DOCUMENTS**

D532,773 S *	11/2006	Langberg et al.	.....	D14/209.1
D563,387 S *	3/2008	Aquillano	.....	D14/214
D577,002 S *	9/2008	Kurihara	.....	D14/171
D579,025 S *	10/2008	Liu	.....	D14/496
D598,006 S *	8/2009	Tse	.....	D14/209.1
D599,782 S *	9/2009	Tse	.....	D14/209.1
D610,569 S *	2/2010	Fiebel et al.	.....	D14/209.1

\* cited by examiner

*Primary Examiner* — Nanda Bondade

(74) *Attorney, Agent, or Firm* — Ostrolenk Faber LLP

(57) **CLAIM**

The ornamental design for a portable docking rechargeable speaker system, as shown and described.

**DESCRIPTION**

FIG. 1 is a front perspective view of a portable docking rechargeable speaker system showing my new design in a first condition;

FIG. 2 is a front view thereof;

FIG. 3 is a rear view thereof;

FIG. 4 is a top view thereof;

FIG. 5 is a bottom view thereof;

FIG. 6 is a left side view, the right side view being a mirror image;

FIG. 7 is a cross-sectional view along line 7-7 in FIG. 2;

FIG. 8 is a cross-sectional view along line 8-8 in FIG. 4;

FIG. 9 is a front perspective view thereof in a second condition;

FIG. 10 is a front view thereof;

FIG. 11 is a rear view thereof;

FIG. 12 is a top view thereof;

FIG. 13 is a bottom view thereof;

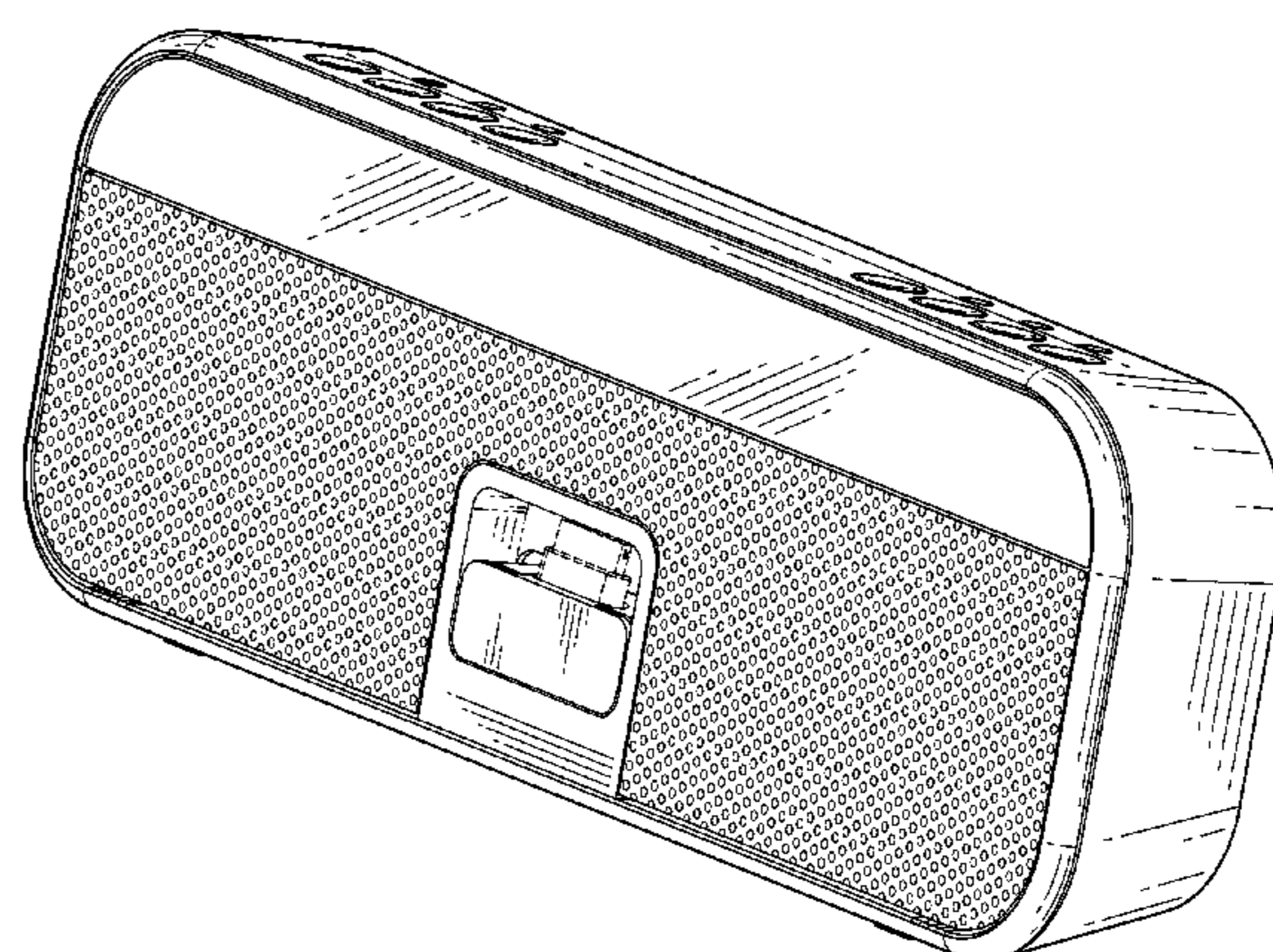
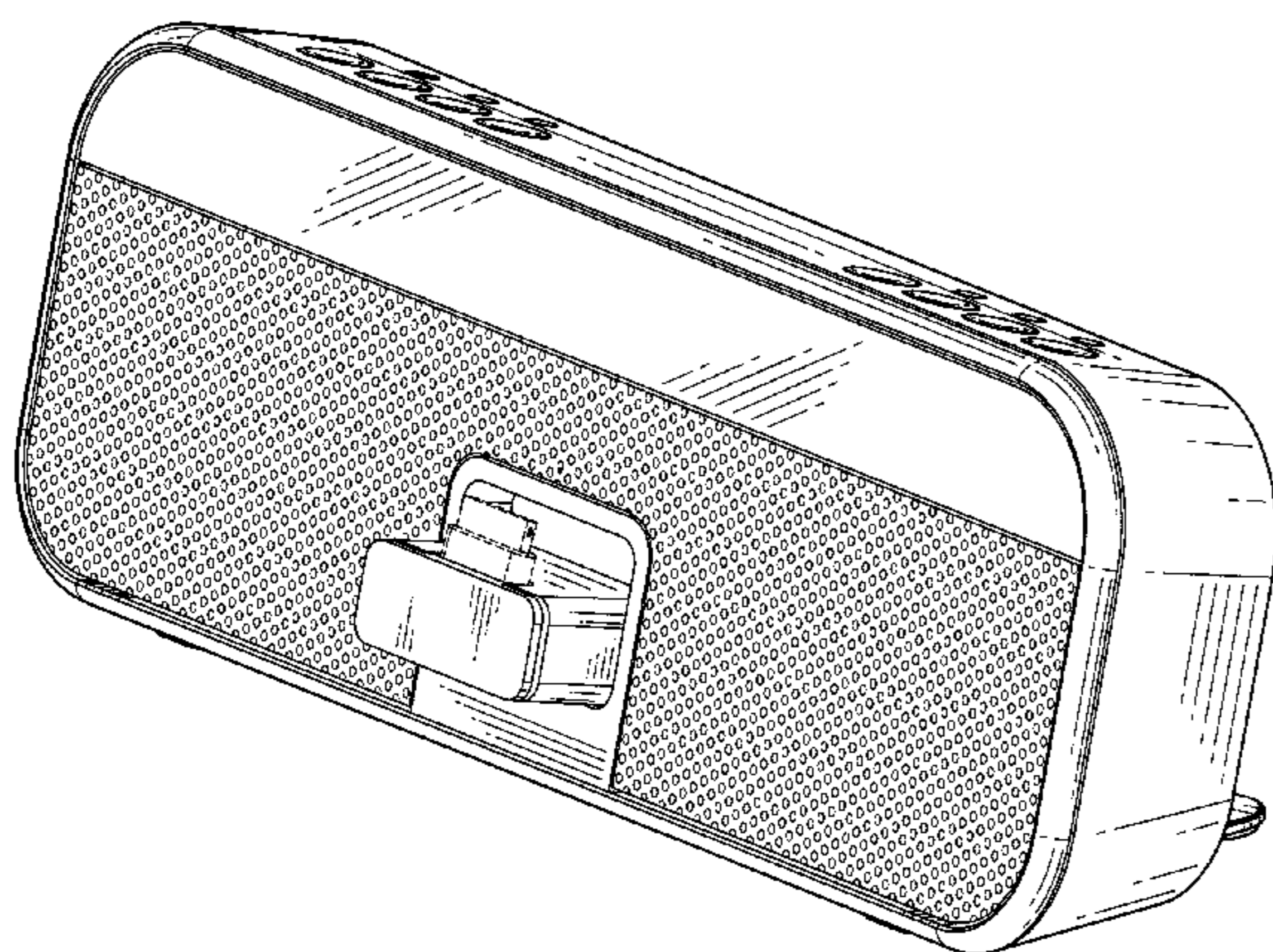
FIG. 14 is a left side view, the right side view being a mirror image;

FIG. 15 is a cross-sectional view along line 15-15 in FIG. 10; and,

FIG. 16 is a cross-sectional view along line 16-16 in FIG. 12.

The broken lines in the drawings illustrate environmental material that forms no part of the claimed design.

**1 Claim, 16 Drawing Sheets**



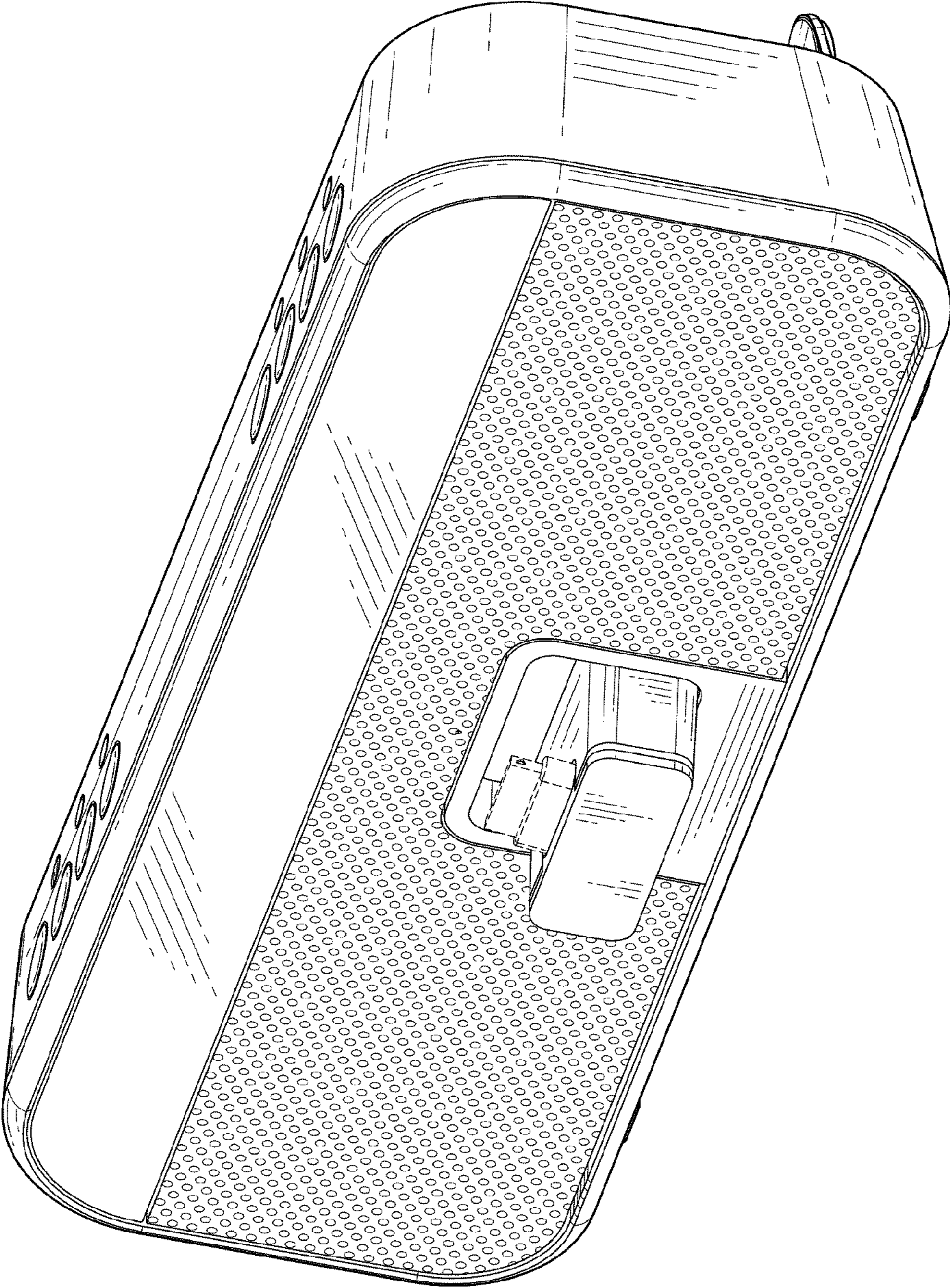


FIG.1

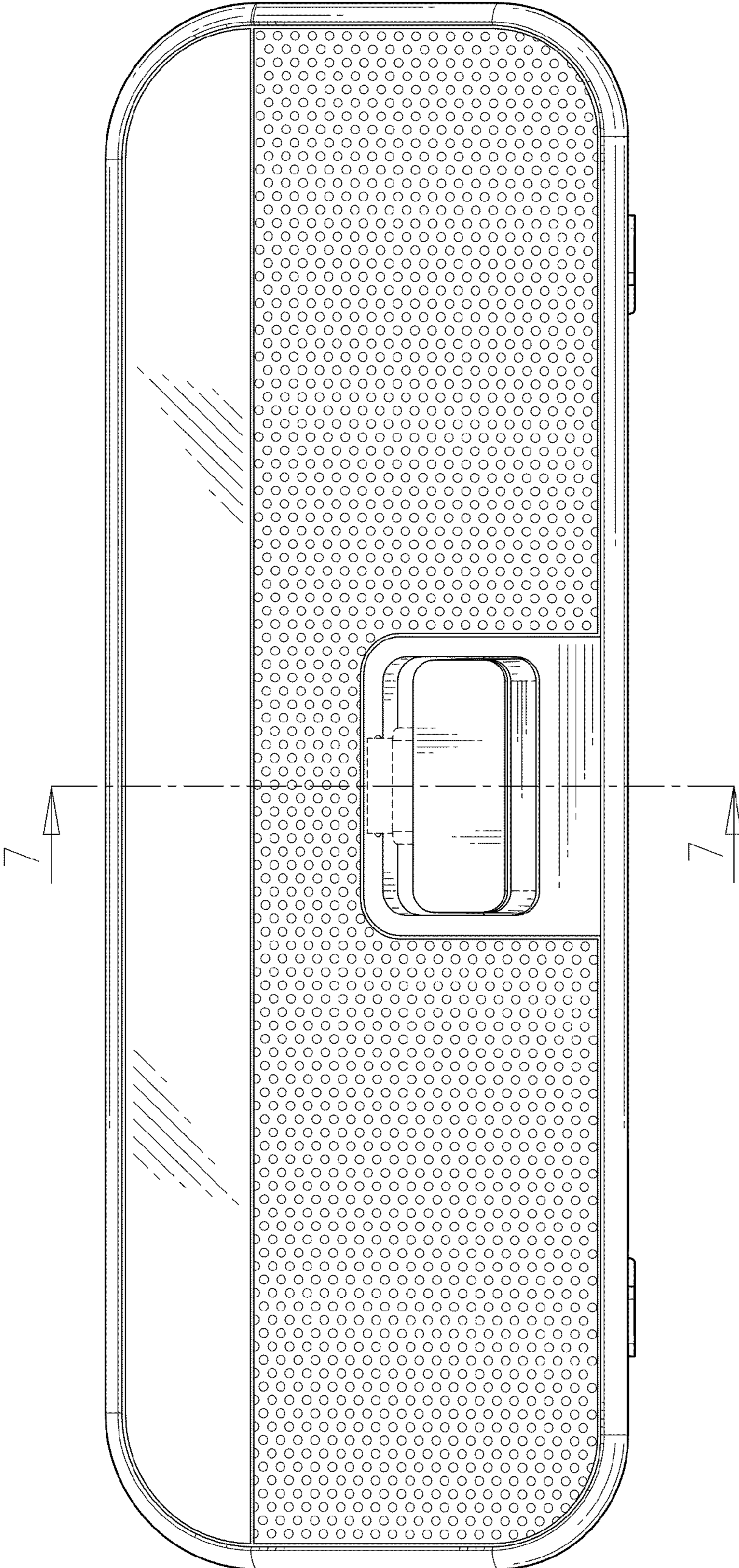


FIG. 2

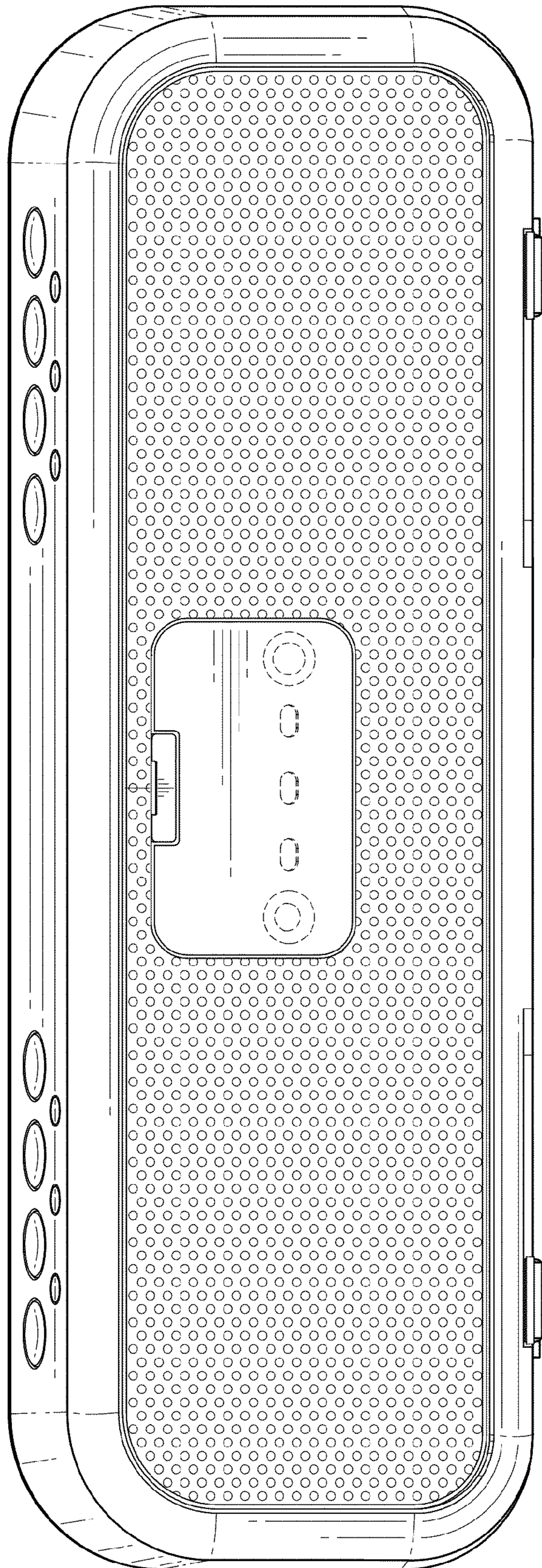


FIG. 3

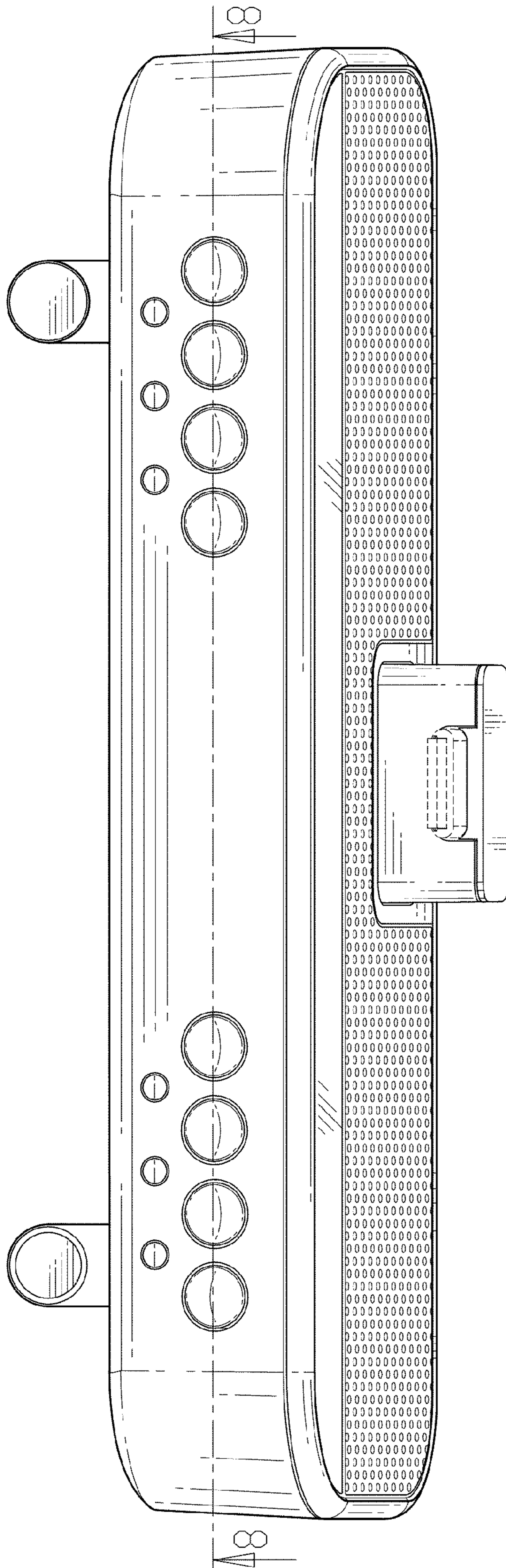


FIG. 4

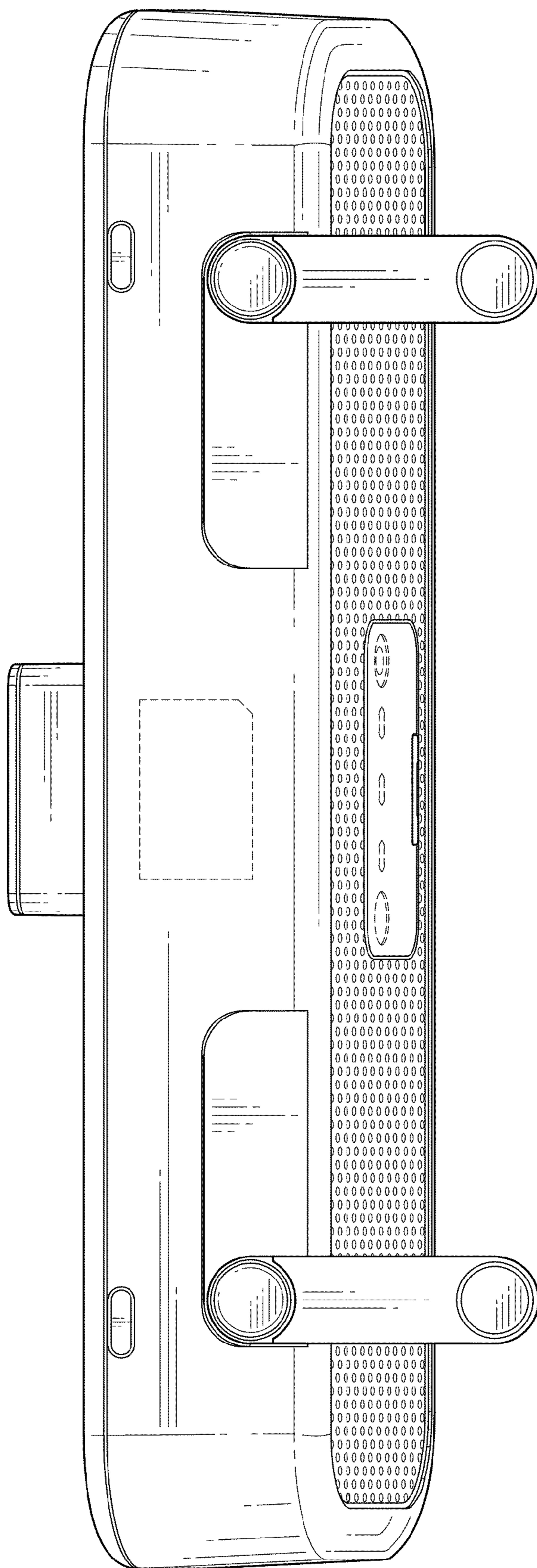


FIG. 5

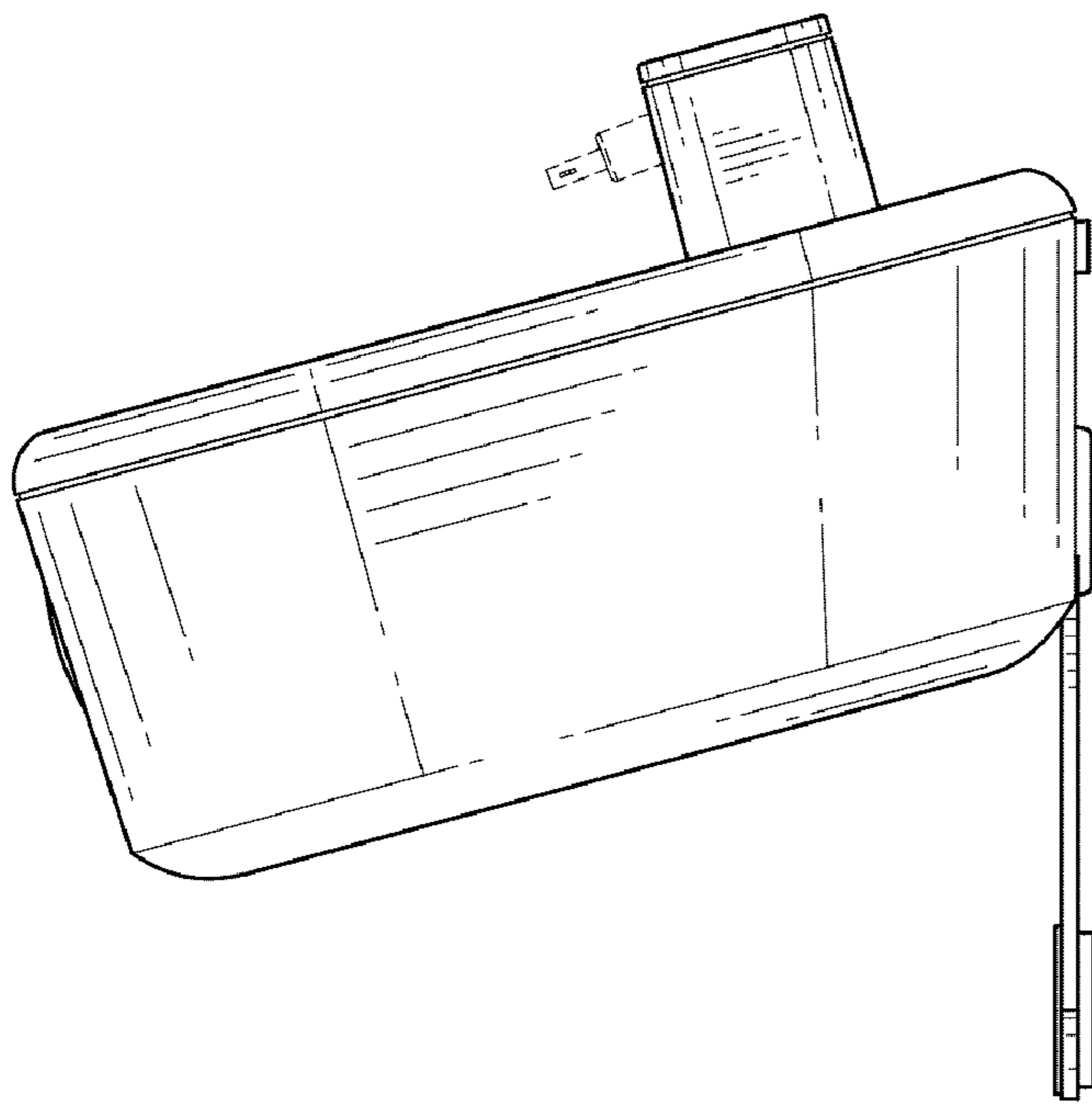


FIG. 6

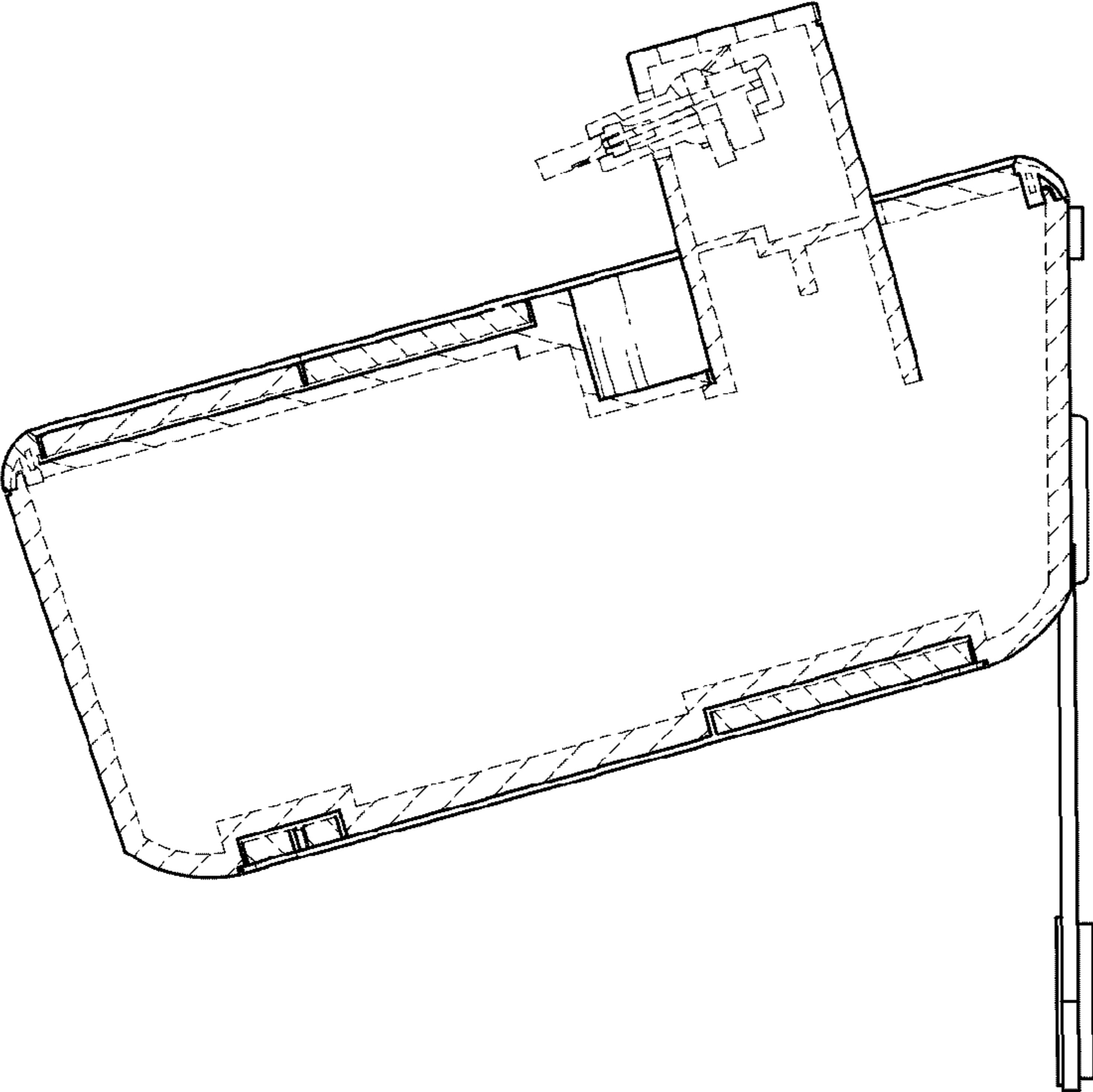


FIG. 7



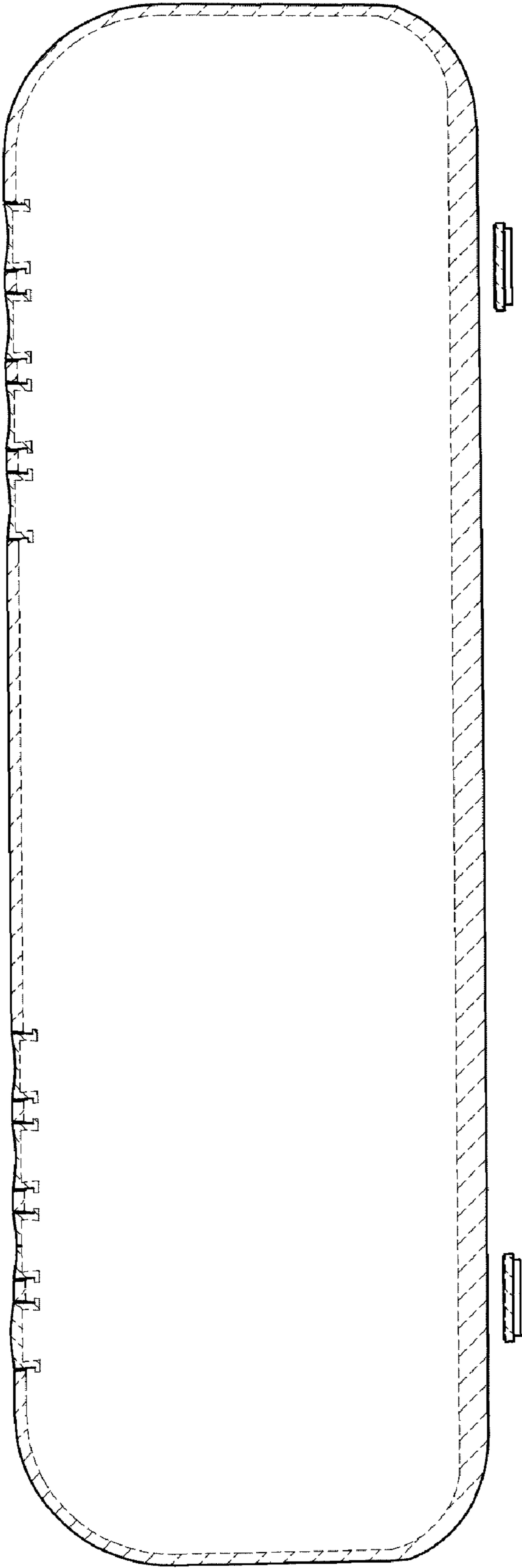


FIG. 8

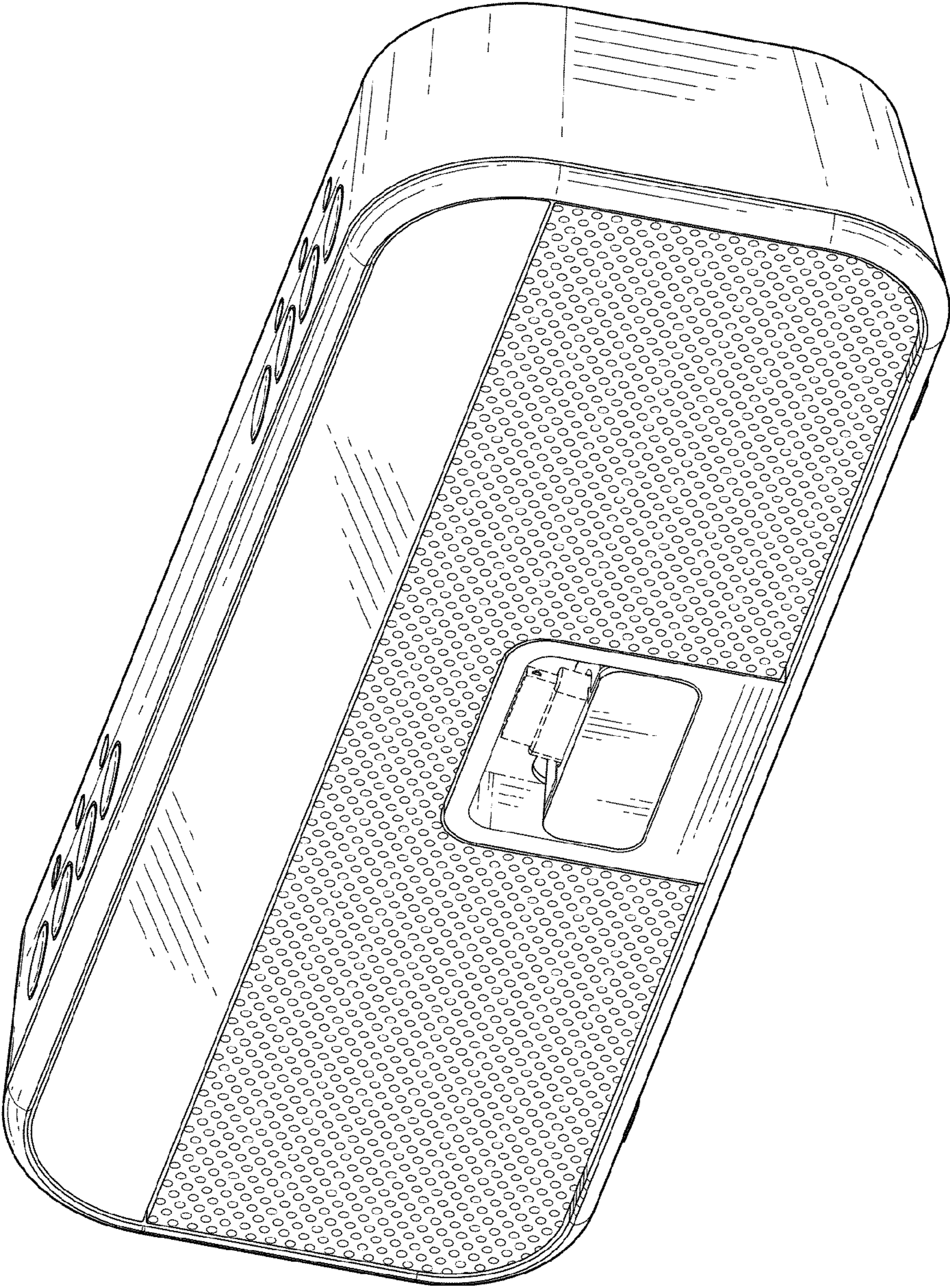


FIG.9

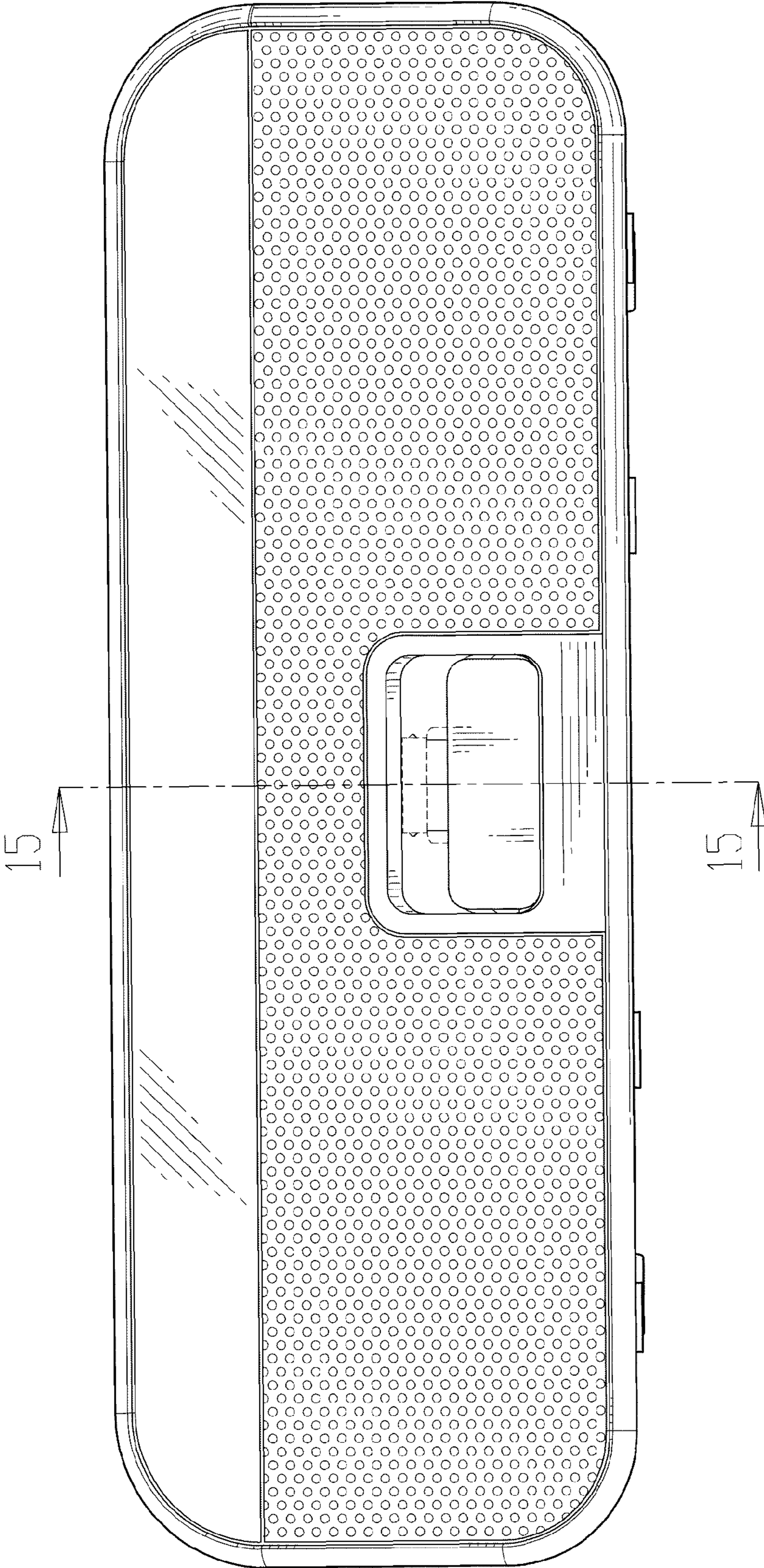


FIG. 10

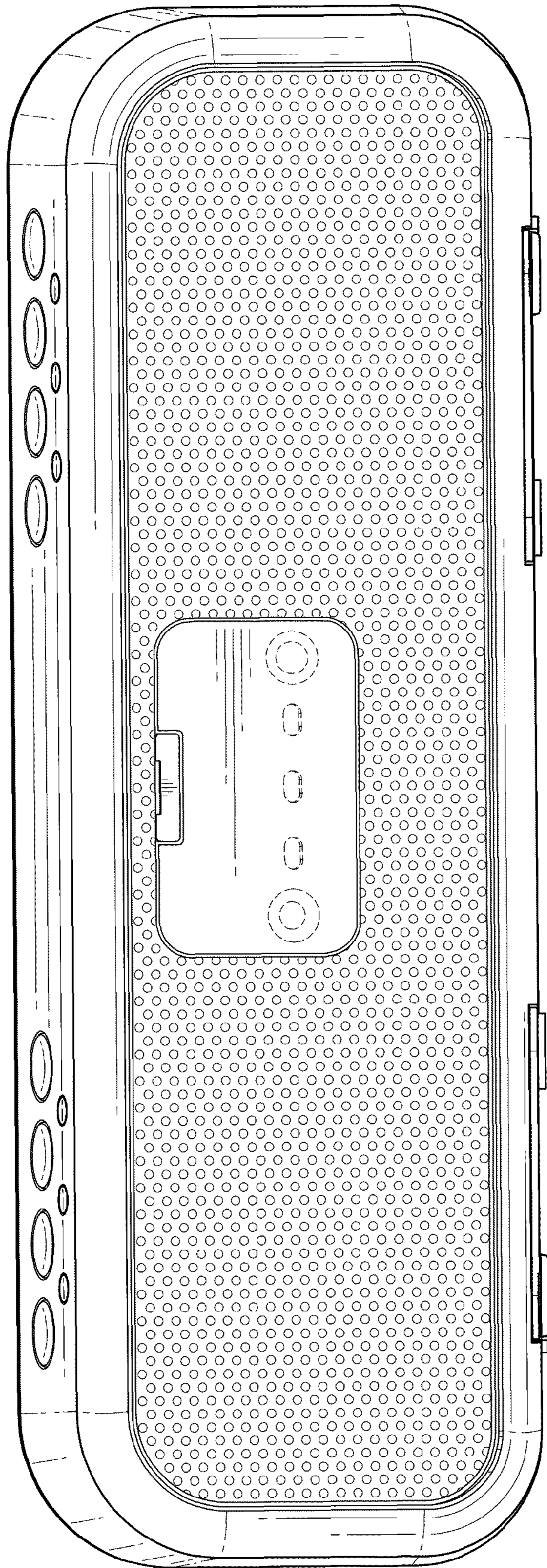


FIG. 11

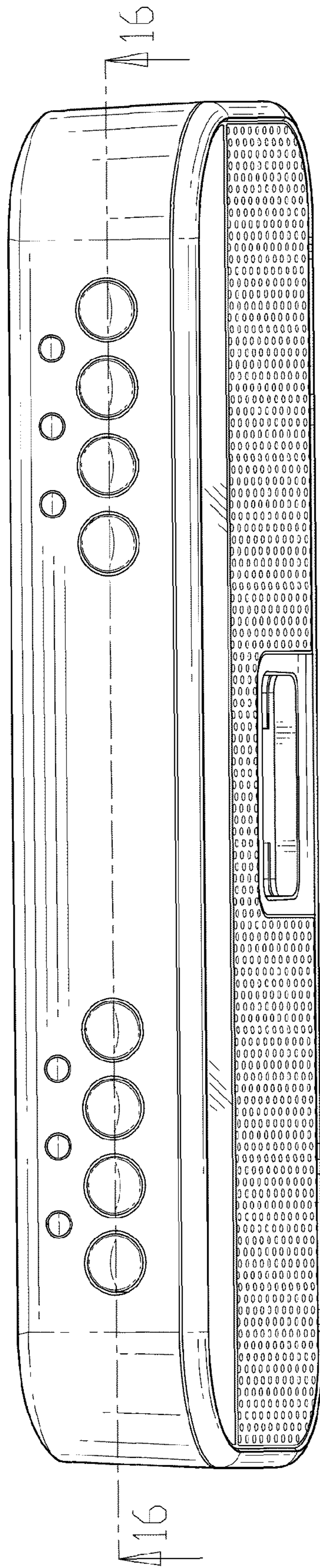


FIG. 12

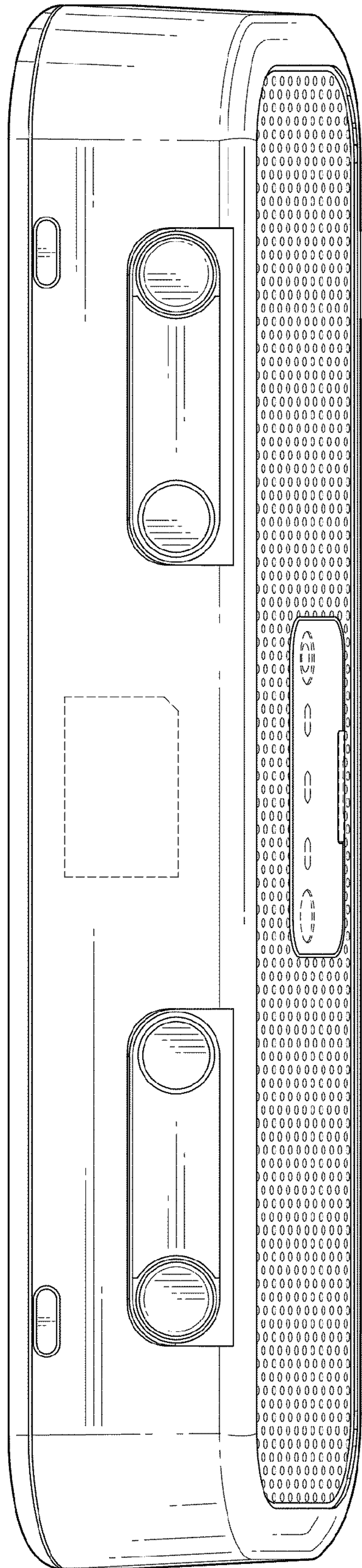


FIG. 13

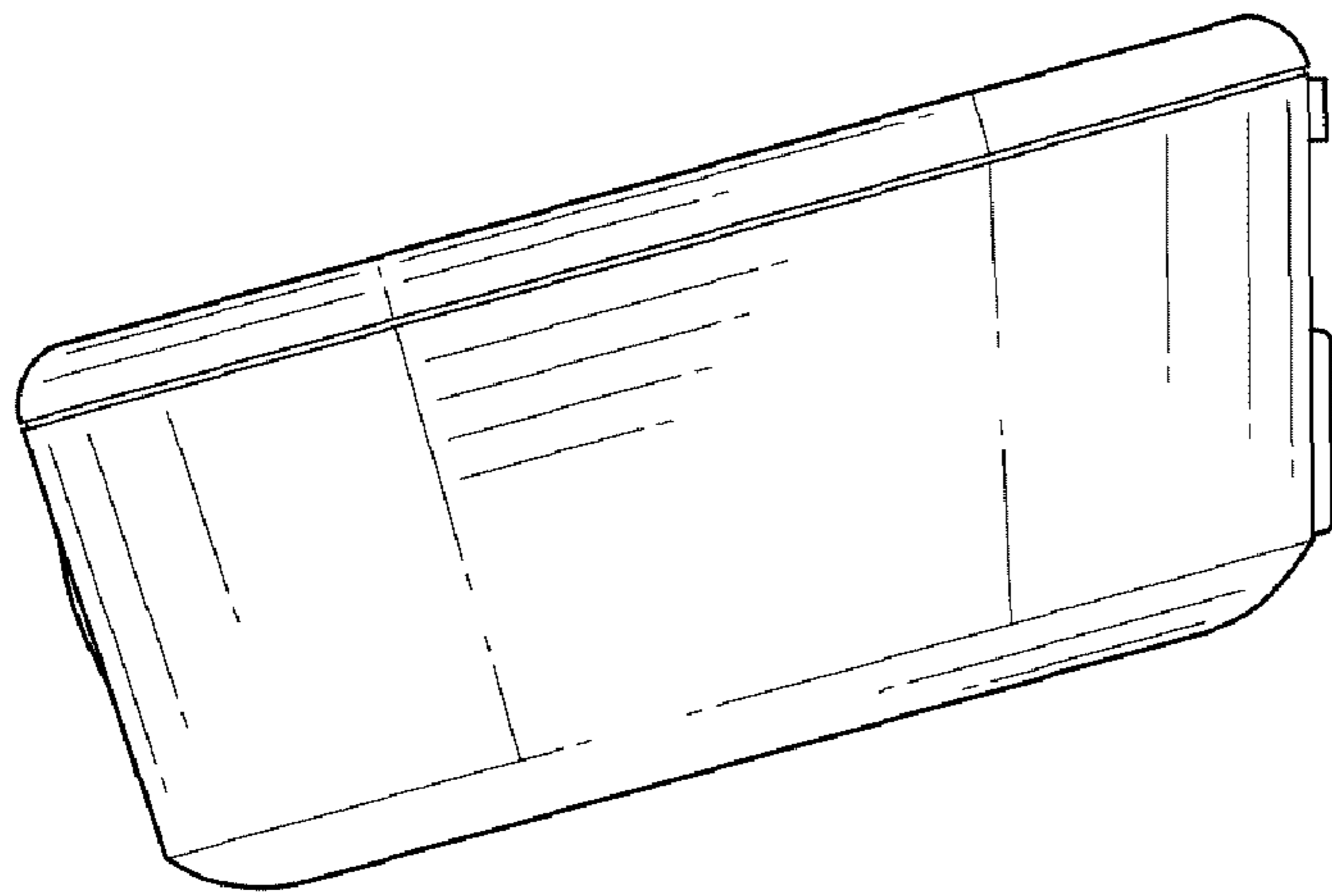


FIG. 14

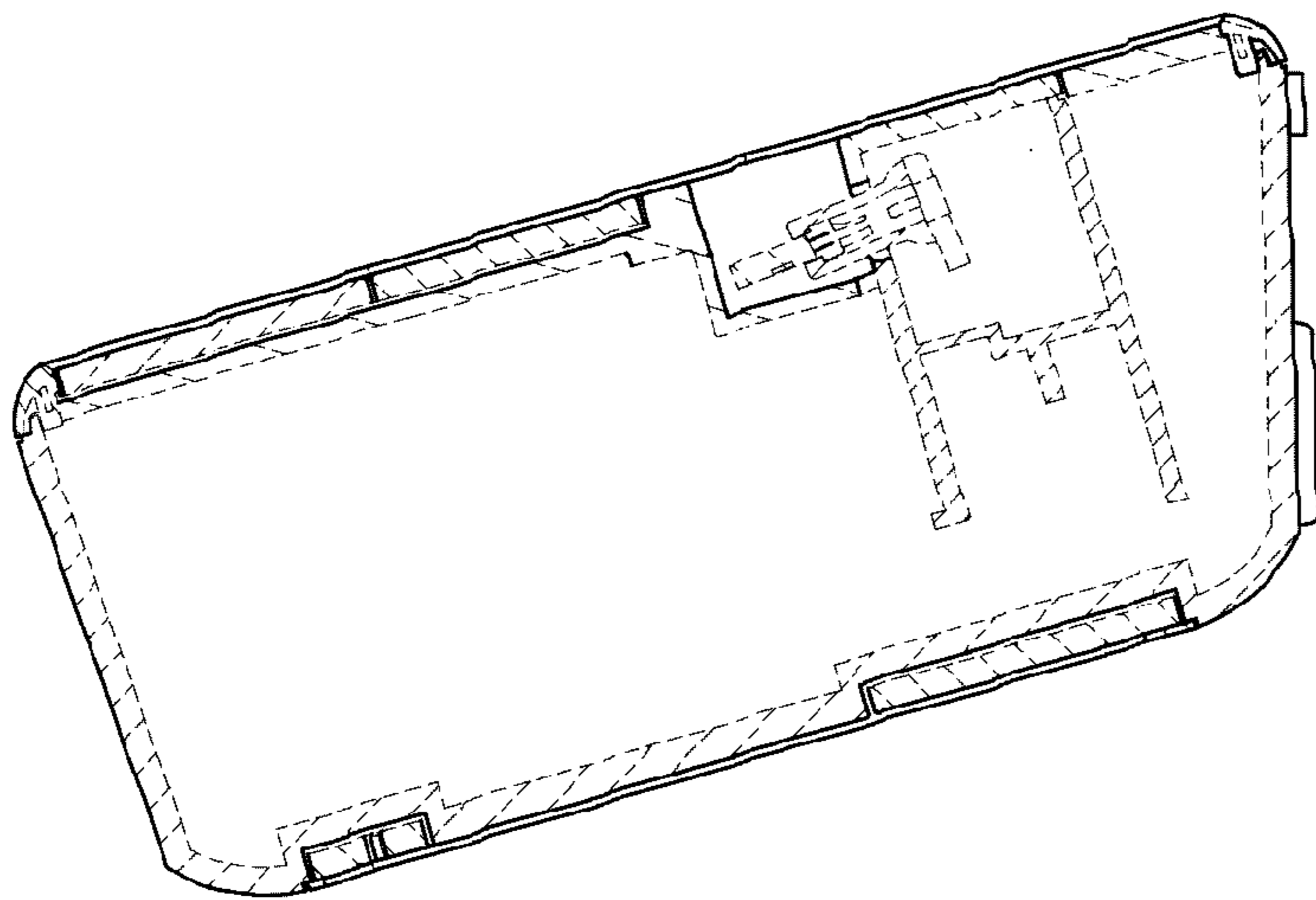


FIG. 15



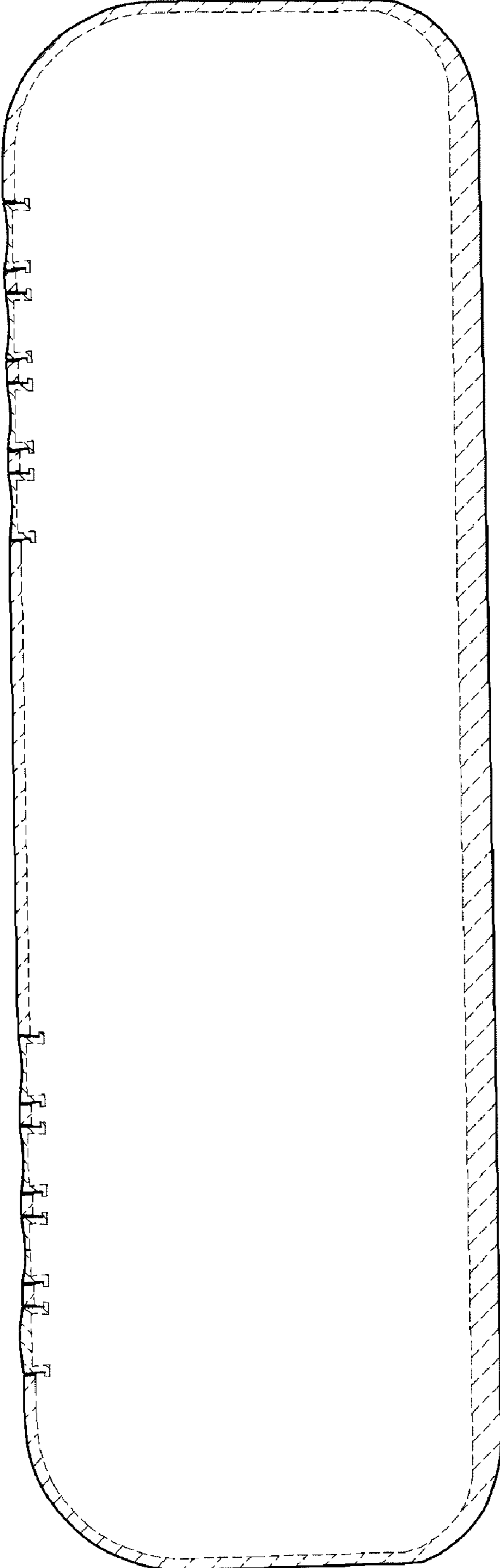


FIG. 16