



US00D647504S

(12) **United States Design Patent**  
**Choi**

(10) **Patent No.:** **US D647,504 S**

(45) **Date of Patent:** **\*\* Oct. 25, 2011**

(54) **CENTER UNIT FOR HOME THEATRE SYSTEM**

(75) **Inventor:** **Shaun Seongwon Choi**, Discovery Bay (HK)

(73) **Assignee:** **Koninklijke Philips Electronics N.V.**, Eindhoven (NL)

(\*\*) **Term:** **14 Years**

(21) **Appl. No.:** **29/360,217**

(22) **Filed:** **Apr. 22, 2010**

(51) **LOC (9) Cl.** ..... **14-01**

(52) **U.S. Cl.** ..... **D14/209.1**

(58) **Field of Classification Search** ..... D14/204,  
D14/209.1, 210–217, 168, 172; 181/143–144,  
181/147–148, 150–153, 157, 198–199;  
381/300–303, 306, 332–333, 336, 345, 361–364,  
381/386–388

See application file for complete search history.

(56) **References Cited**

U.S. PATENT DOCUMENTS

D276,153 S *	10/1984	Iijima .....	D14/214
D560,657 S *	1/2008	Langberg et al. ....	D14/214
D577,709 S *	9/2008	Skurdal .....	D14/171
D587,675 S *	3/2009	Xie .....	D14/172

\* cited by examiner

*Primary Examiner* — Nanda Bondade

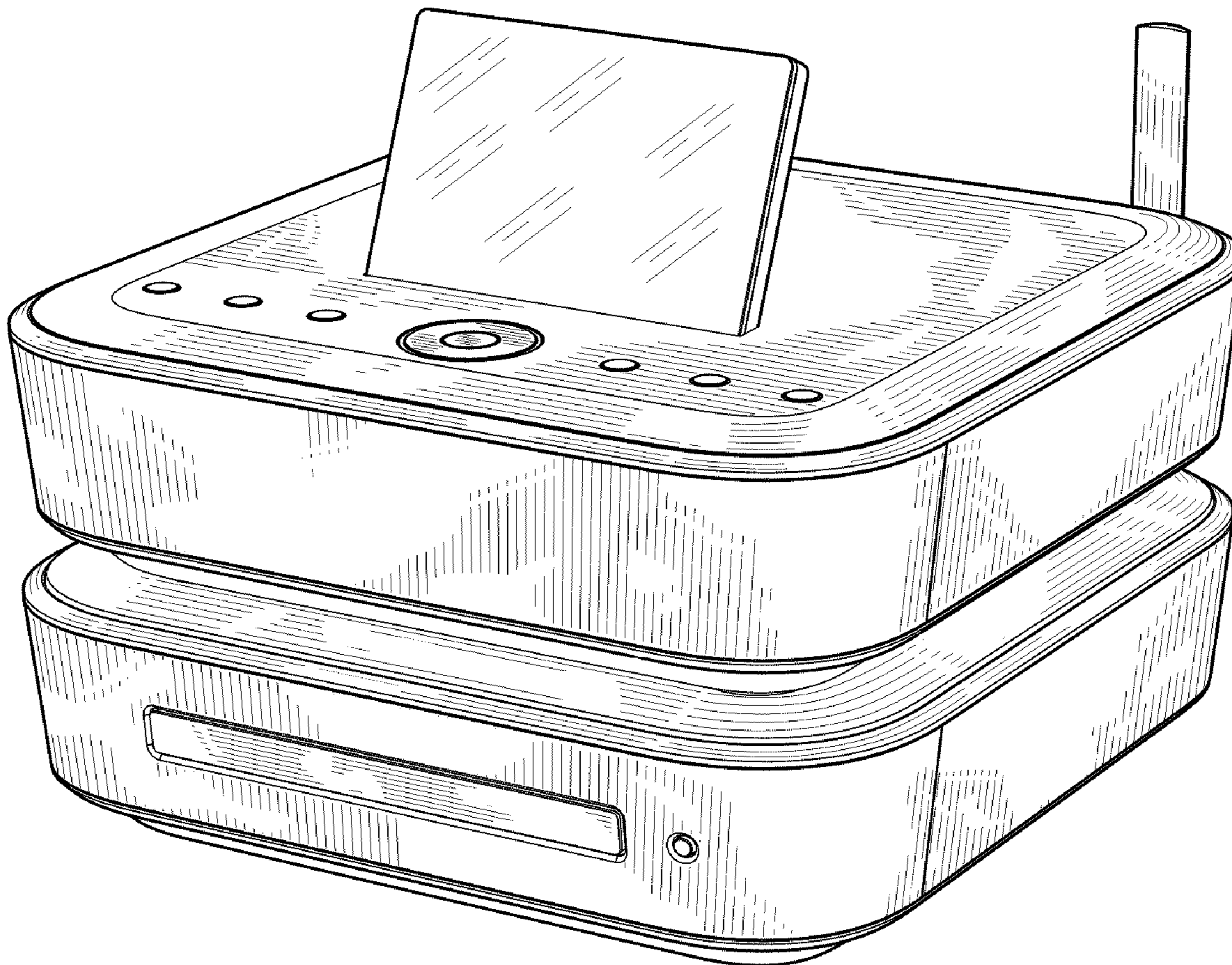
(57) **CLAIM**

The ornamental design for a center unit for home theatre system, as shown and described.

**DESCRIPTION**

FIG. 1 is a perspective view showing my design;  
FIG. 2 is a front elevational view thereof;  
FIG. 3 is a rear elevational view thereof;  
FIG. 4 is a right side elevational view thereof;  
FIG. 5 is a left side elevational view thereof;  
FIG. 6 is a top plan view thereof; and,  
FIG. 7 is a bottom plan view thereof.  
The portions of the center unit for home theatre system shown in broken lines form no part of the claimed design.

**1 Claim, 5 Drawing Sheets**



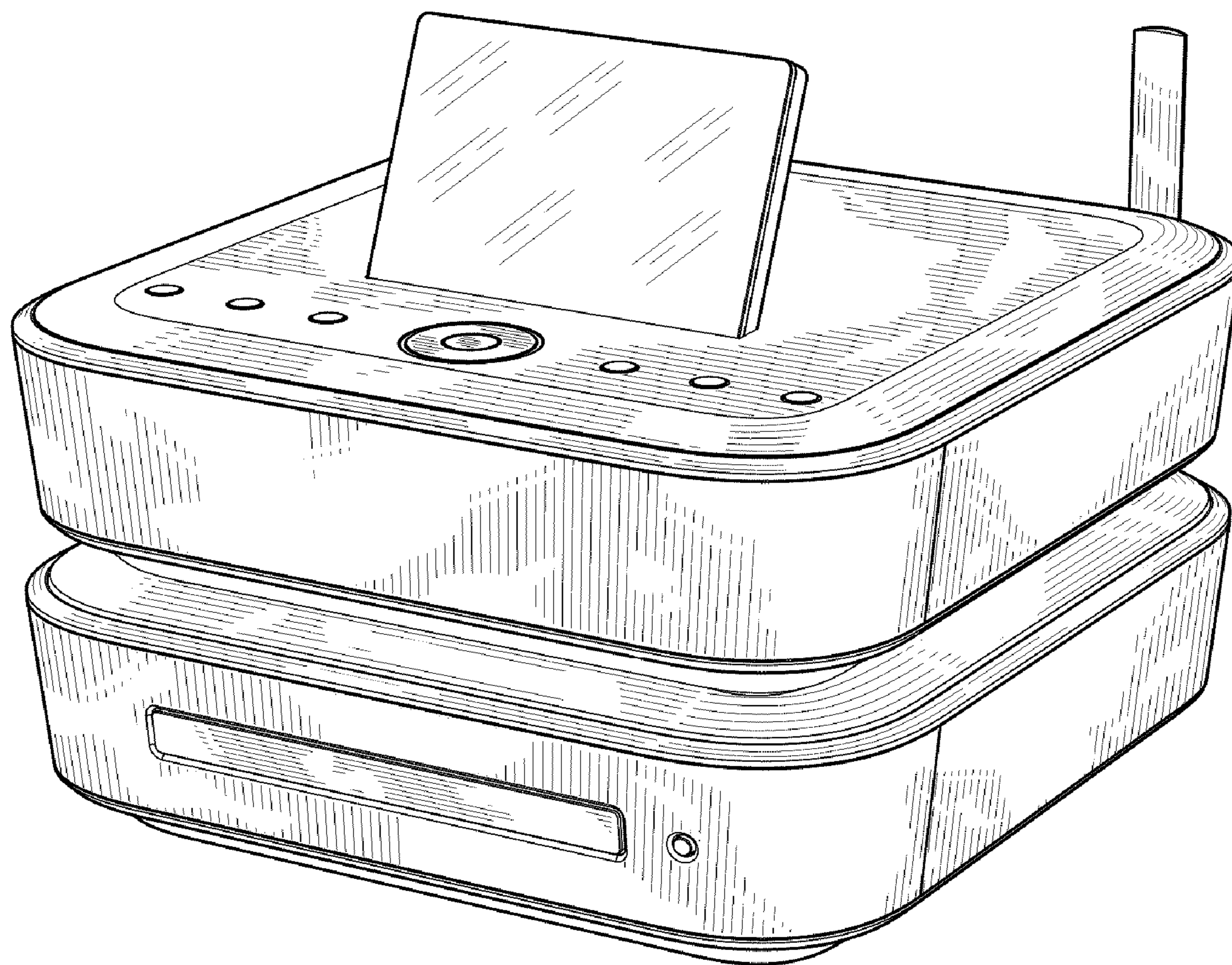


FIG.1

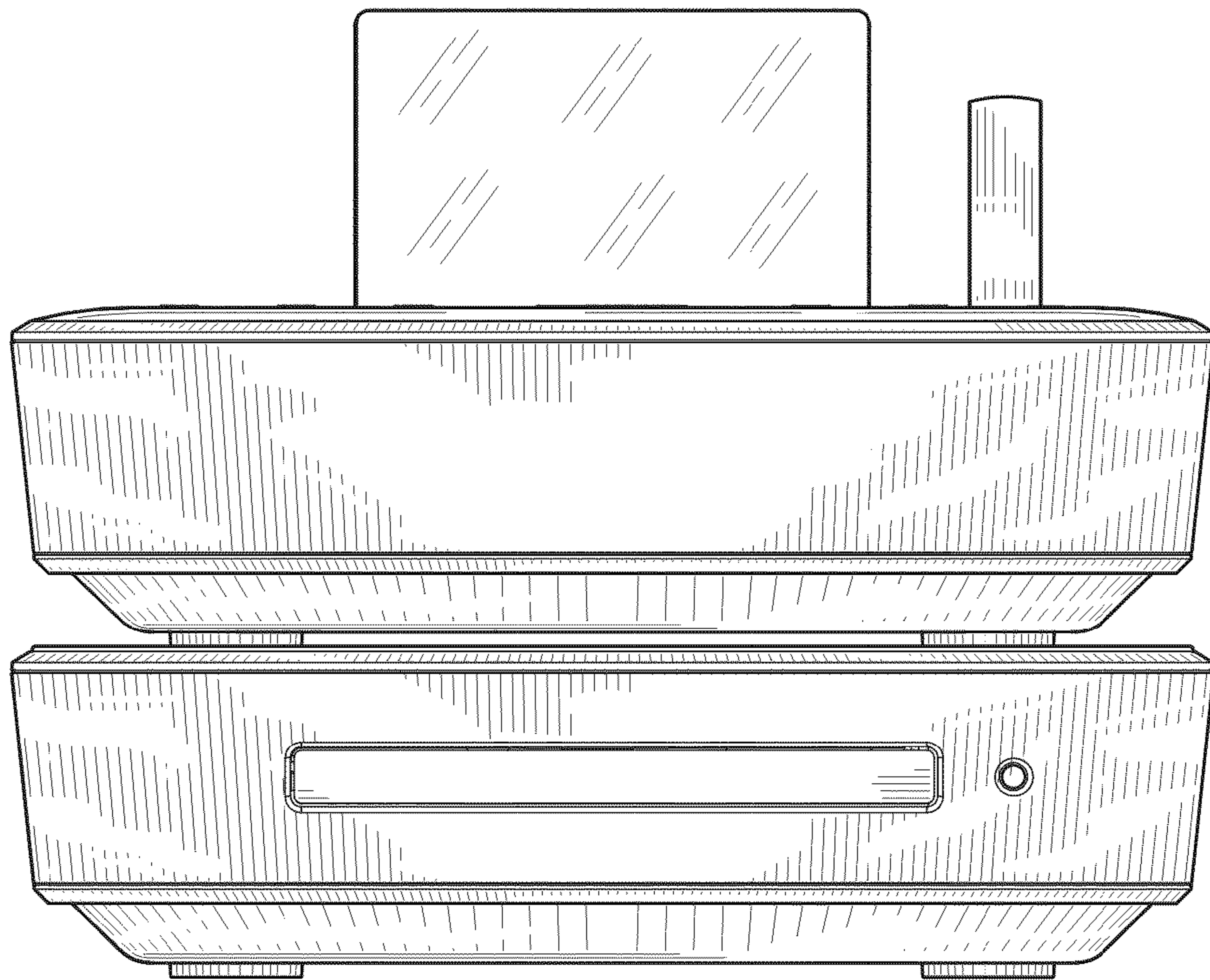


FIG. 2

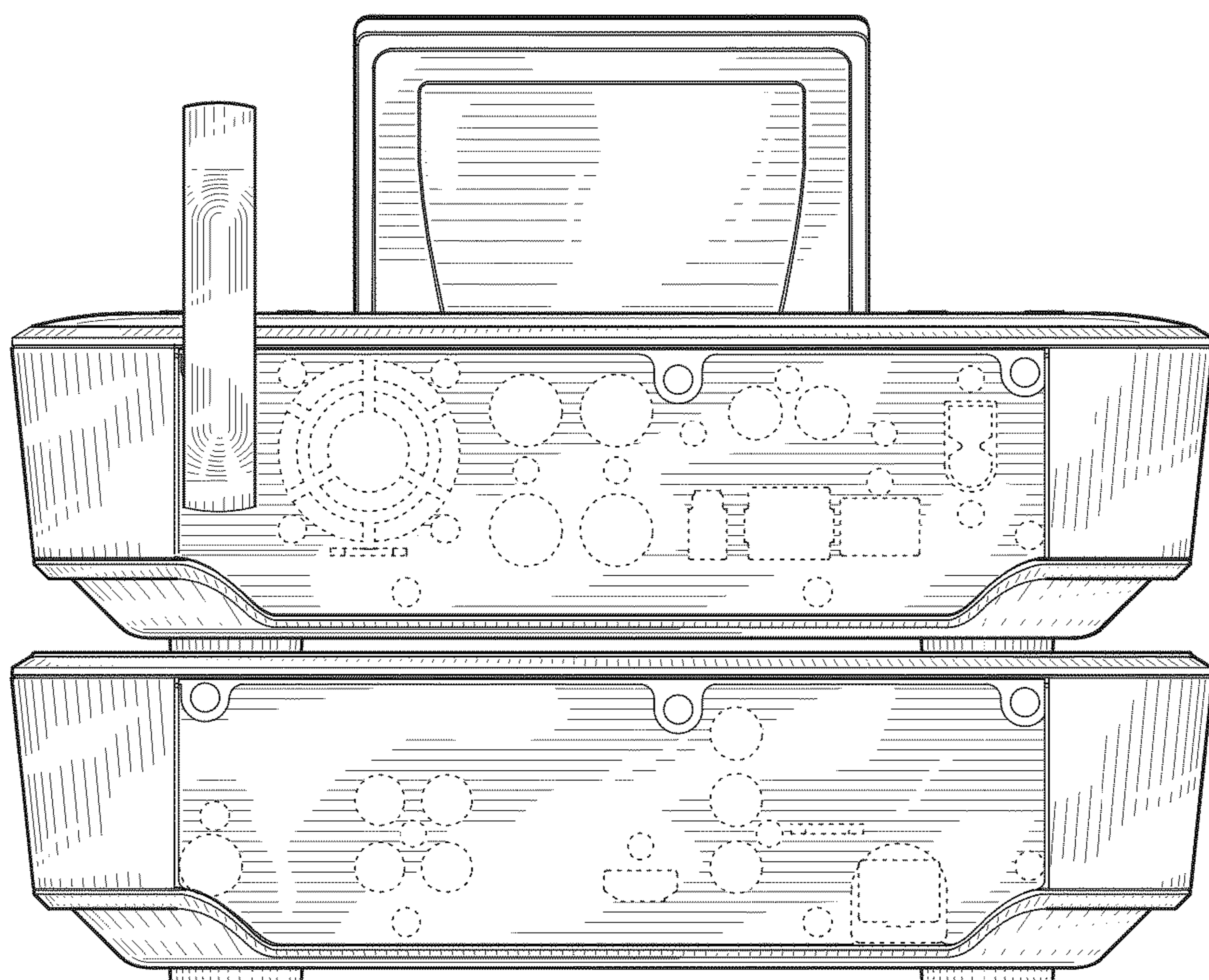


FIG. 3

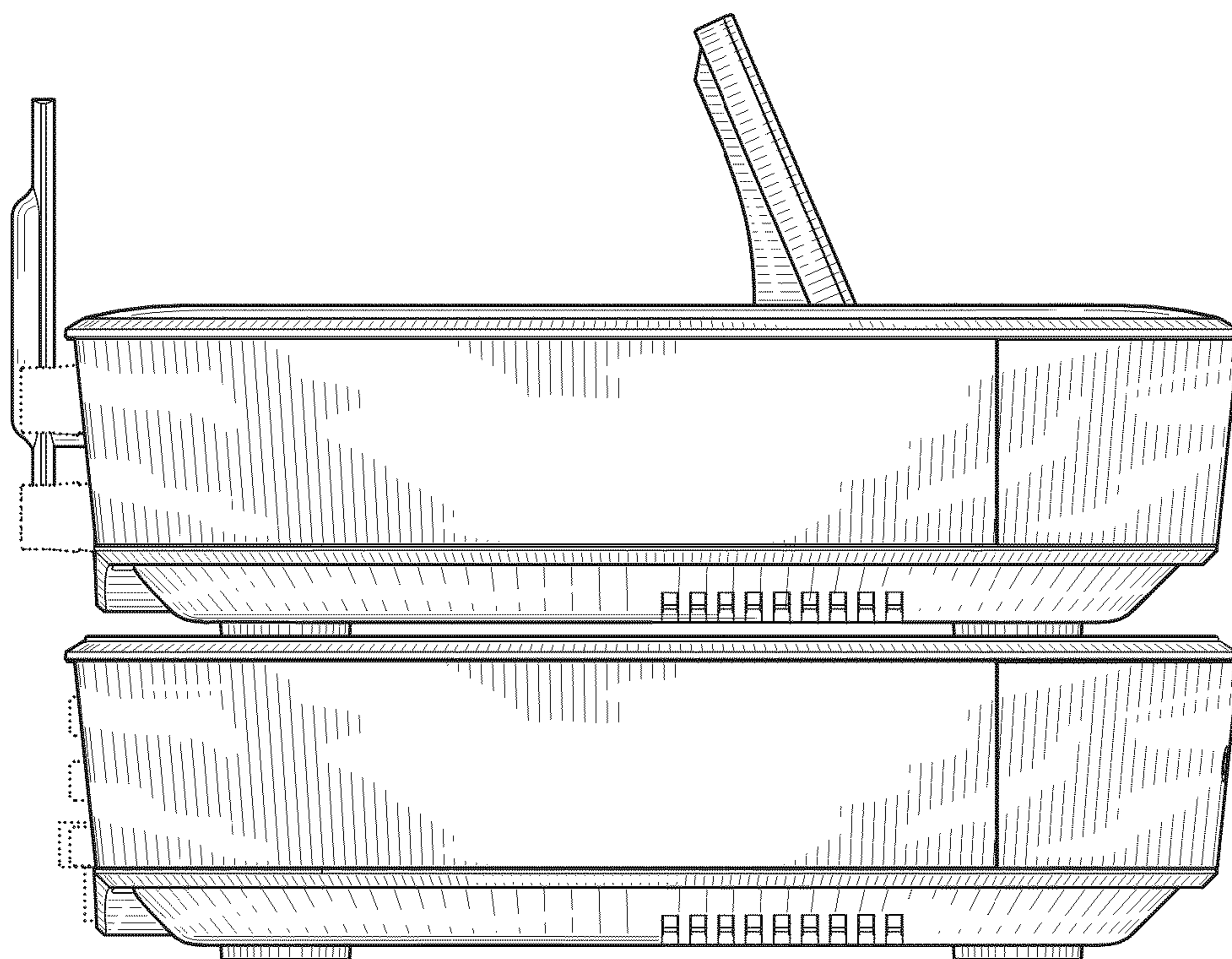


FIG. 4

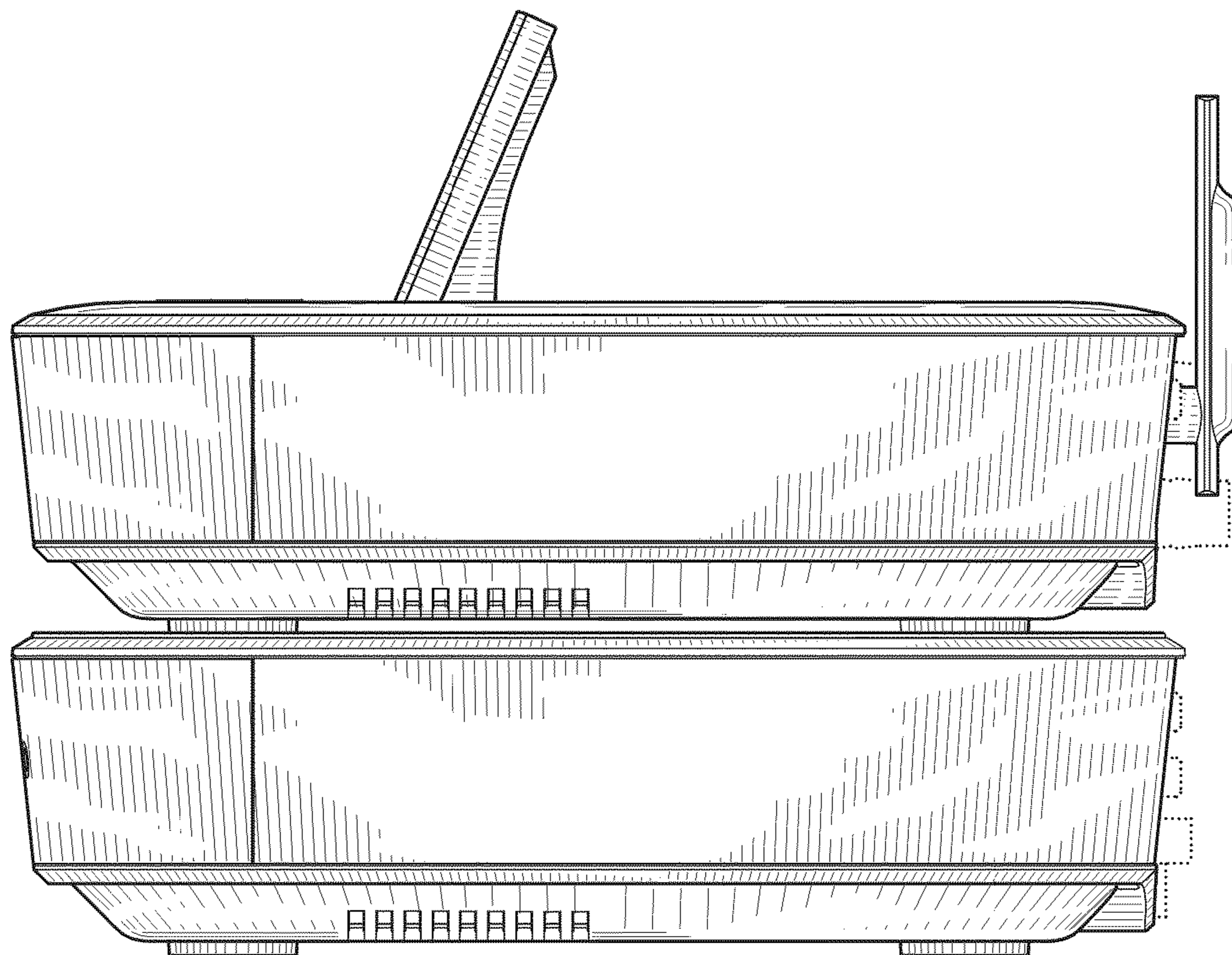


FIG. 5

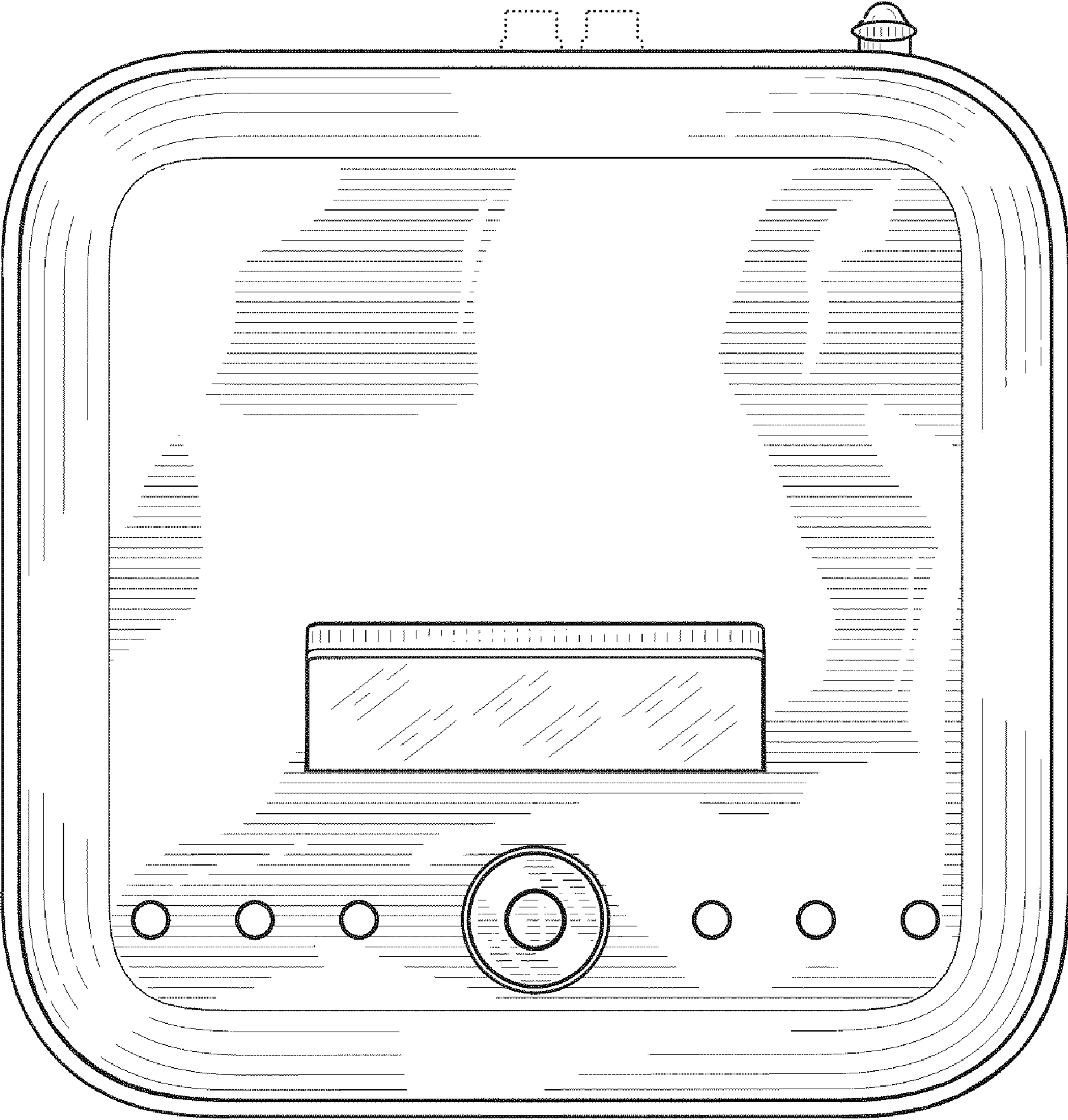


FIG.6

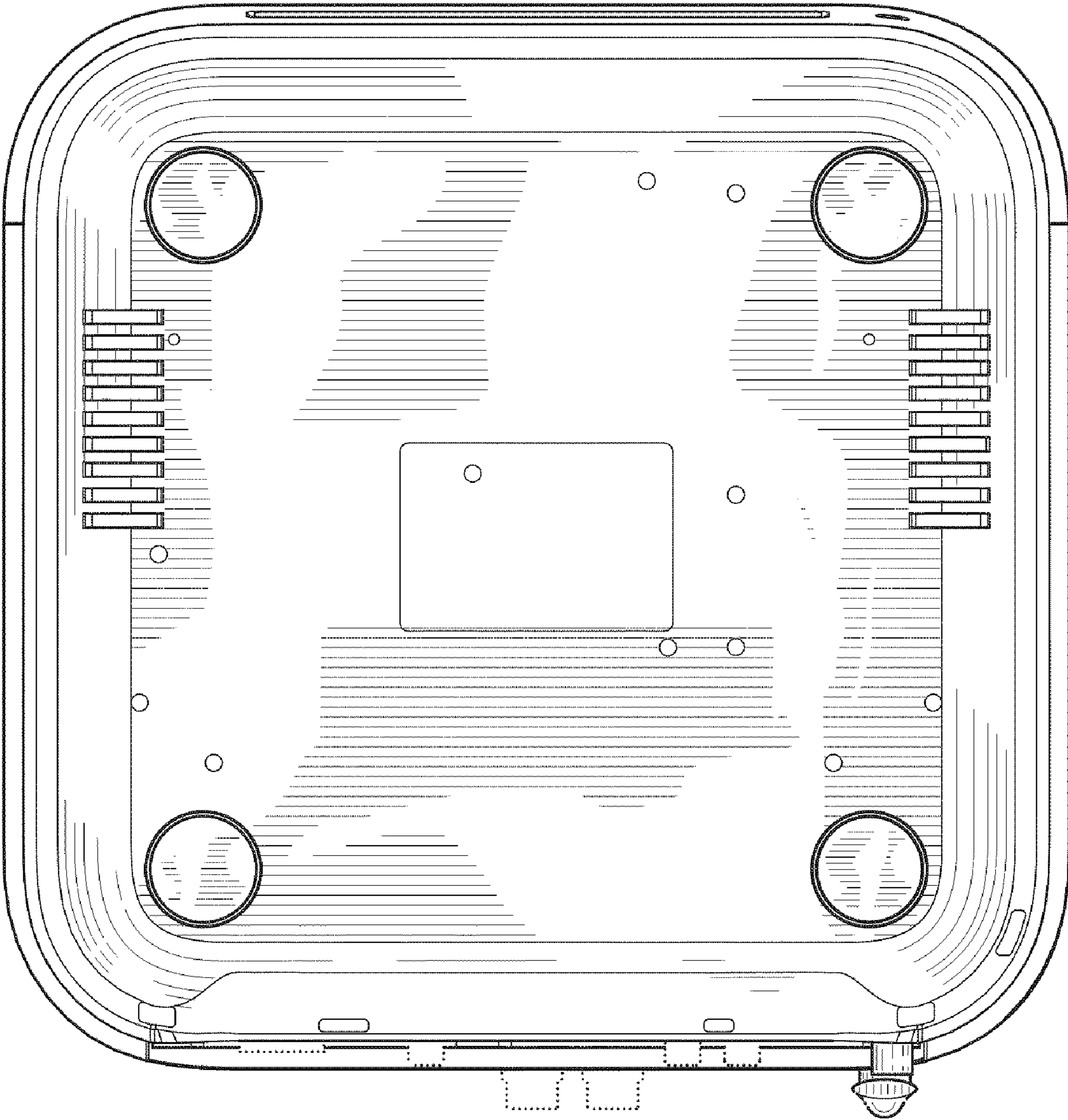


FIG.7