



US00D647502S

(12) **United States Design Patent**
Holzer

(10) **Patent No.:** **US D647,502 S**
(45) **Date of Patent:** **** Oct. 25, 2011**

(54) **ILLUMINATED MEDIA DOCKING CLOCK RADIO**

(75) Inventor: **Eric Holzer**, Piscataway, NJ (US)

(73) Assignee: **SDI Techonologies, Inc.**, Rahway, NJ (US)

(**) Term: **14 Years**

(21) Appl. No.: **29/383,007**

(22) Filed: **Jan. 11, 2011**

(51) **LOC (9) Cl.** **14-01**

(52) **U.S. Cl.** **D14/171; D14/168; D14/209.1**

(58) **Field of Classification Search** D14/137, D14/155, 168, 170, 171, 188, 189, 193-198, D14/203.1-203.8, 204, 208, 209.1, 210, 212, D14/214, 217, 496; D10/2; 312/7.1; 369/6-12; 370/342-344; 455/90.1-90.3, 344-355
See application file for complete search history.

(56) **References Cited**

U.S. PATENT DOCUMENTS

D302,011 S *	7/1989	Yoshiharu	D14/142
D326,651 S *	6/1992	Ogasawara	D14/171
D510,926 S *	10/2005	Jerome	D14/500
D514,548 S *	2/2006	Chan	D14/216
D539,251 S *	3/2007	Heath	D14/137
D540,291 S *	4/2007	Heath	D14/137

D553,122 S *	10/2007	Solland	D14/217
D554,108 S *	10/2007	Solland	D14/217
D593,071 S *	5/2009	Laituri et al.	D14/216
D597,532 S *	8/2009	Wang	D14/216
D626,939 S *	11/2010	Chen	D14/216
D639,273 S *	6/2011	Chow	D14/209.1

* cited by examiner

Primary Examiner — Prabhakar Deshmukh

Assistant Examiner — Keli L Hill

(74) *Attorney, Agent, or Firm* — Ostrolenk Faber LLP

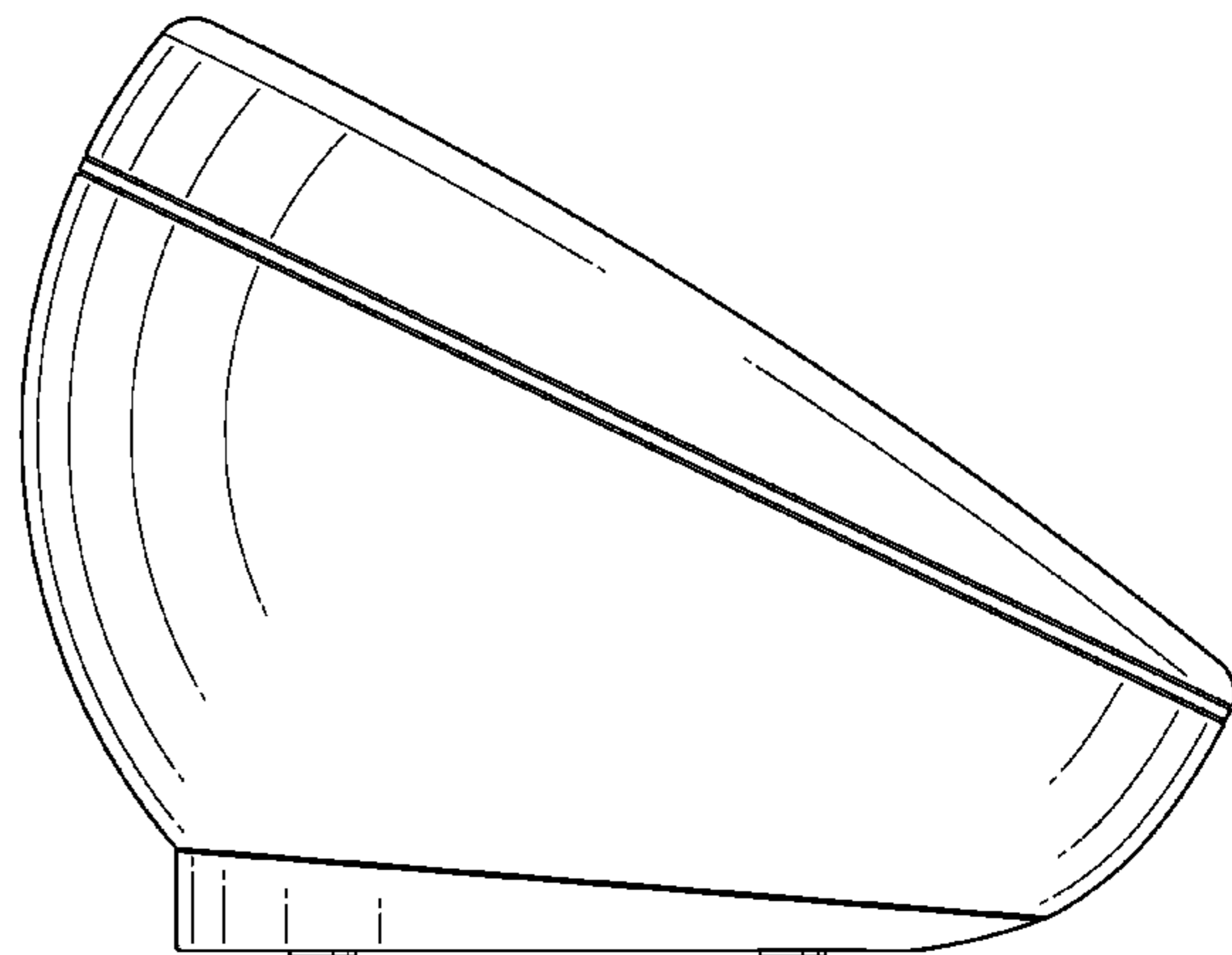
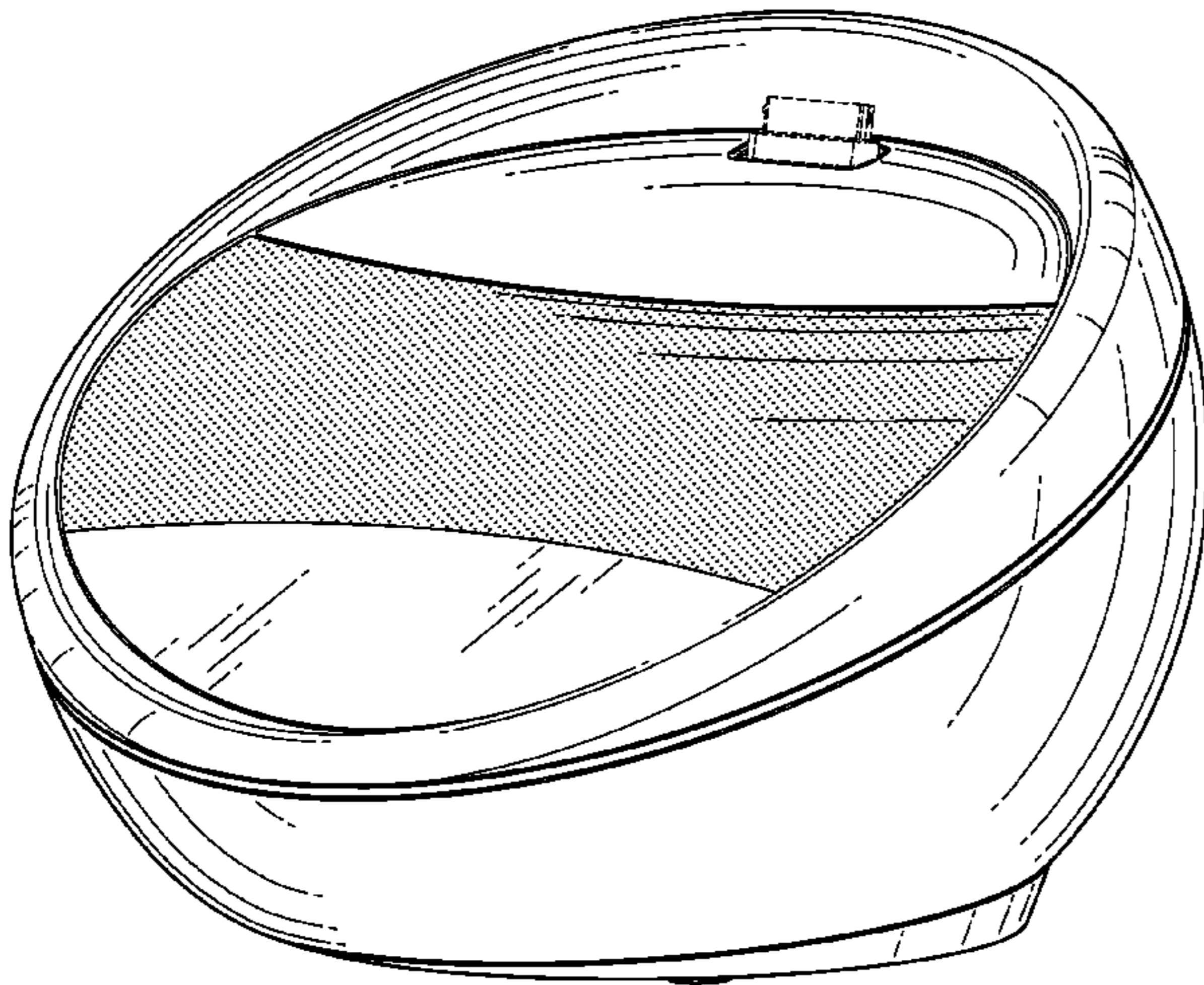
(57) **CLAIM**

The ornamental design for an illuminated media docking clock radio, shown and described.

DESCRIPTION

FIG. 1 is a front perspective view of an illuminated media docking clock radio showing my new design; FIG. 2 is a side perspective view thereof; FIG. 3 is a front view thereof; FIG. 4 is a rear view thereof; FIG. 5 is a top view thereof; FIG. 6 is a bottom view thereof; FIG. 7 is a side view thereof, the opposite side view being a mirror image; and, FIG. 8 is a cross-sectional view along line 8-8 in FIG. 3. The broken lines in the drawings illustrate environmental material that forms no part of the claimed design.

1 Claim, 8 Drawing Sheets



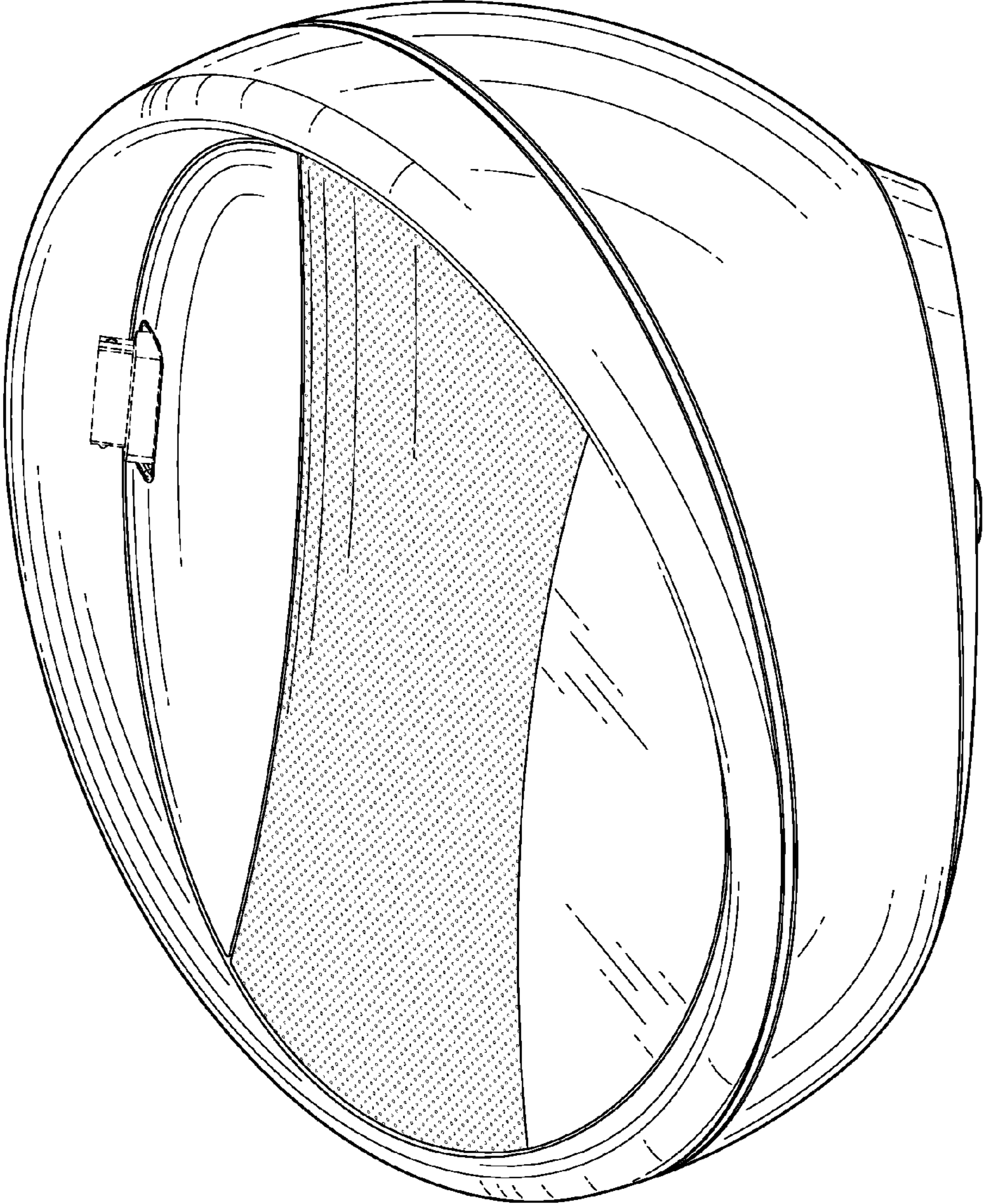


FIG.1

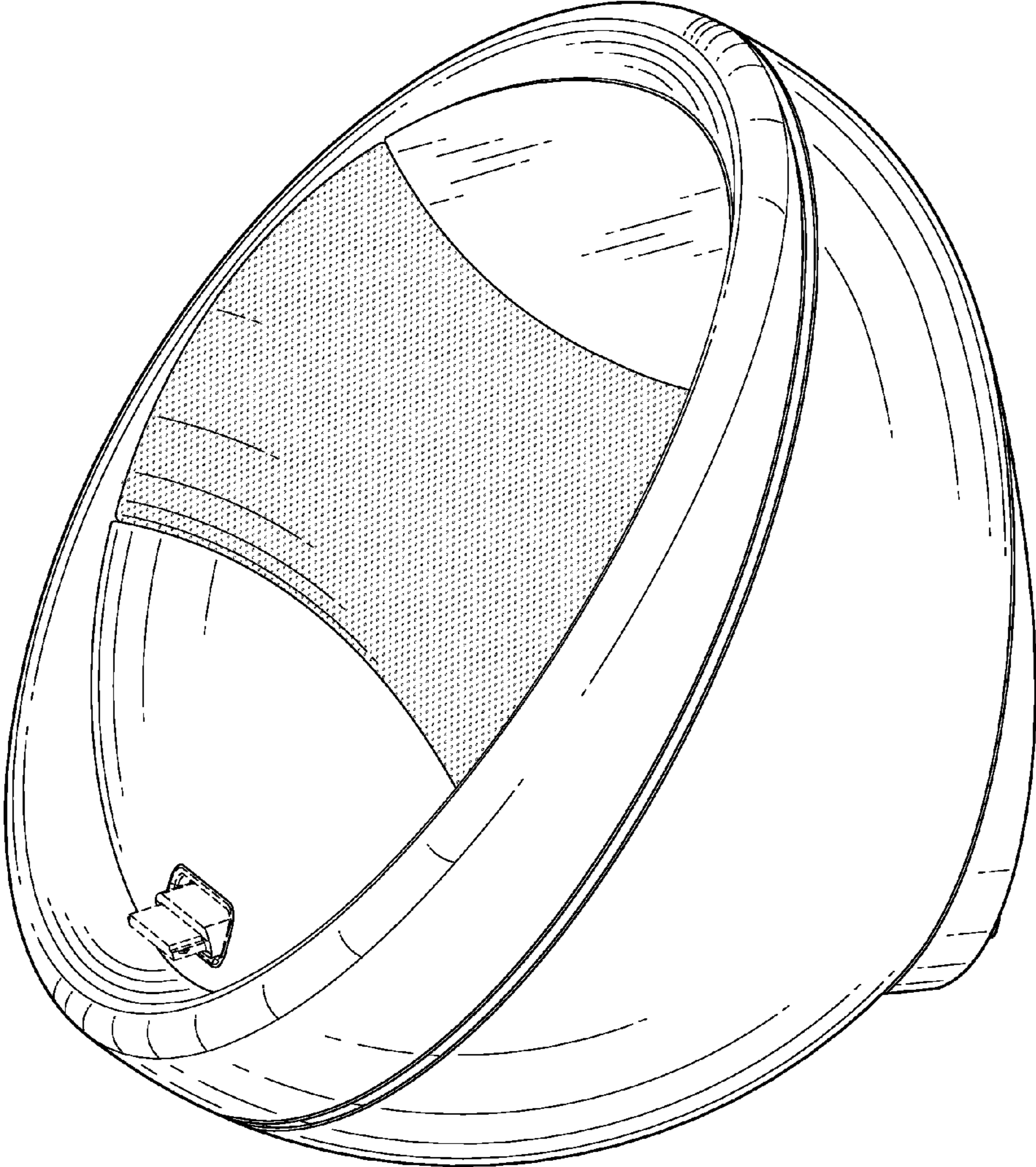


FIG. 2

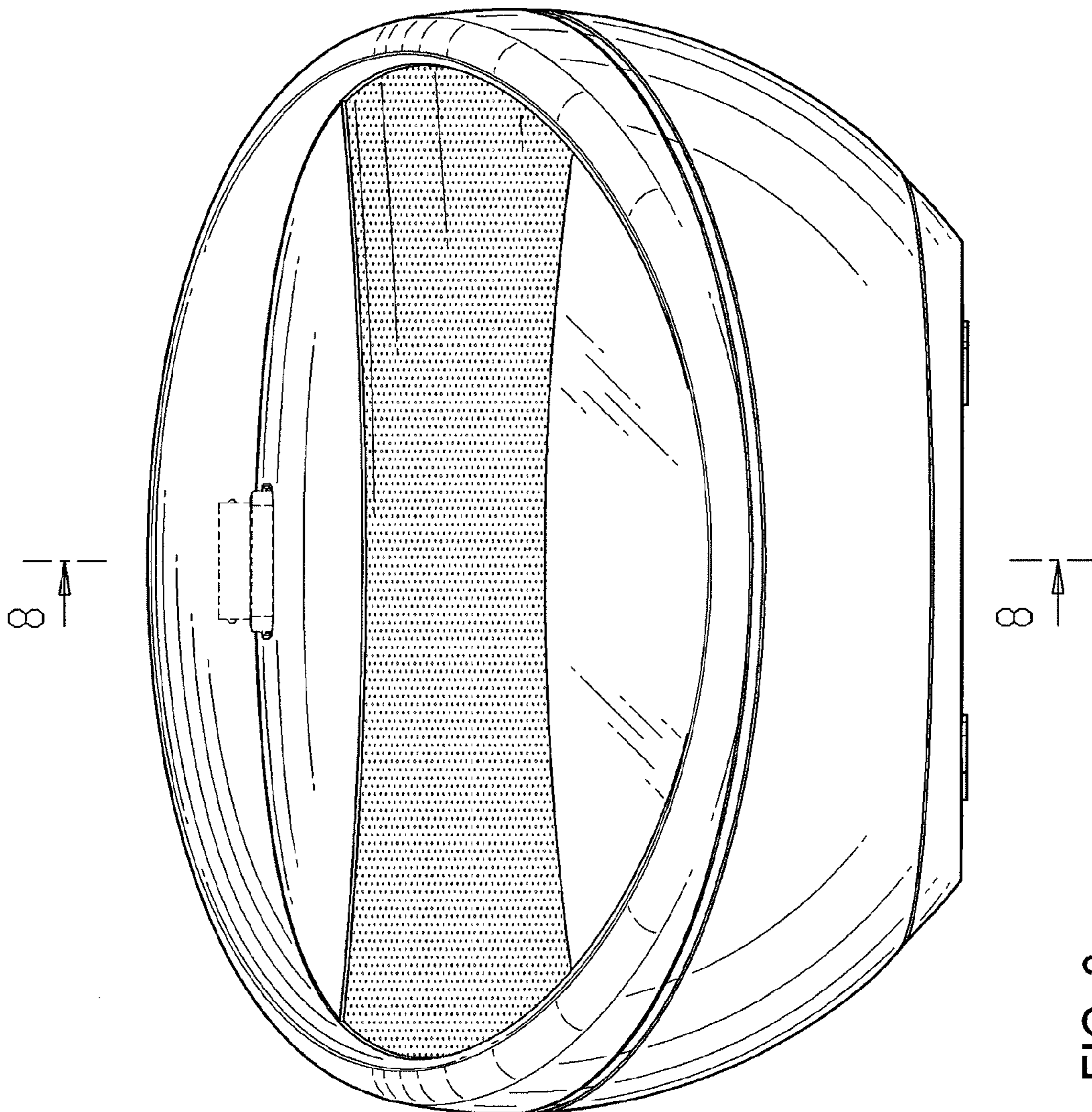


FIG. 3

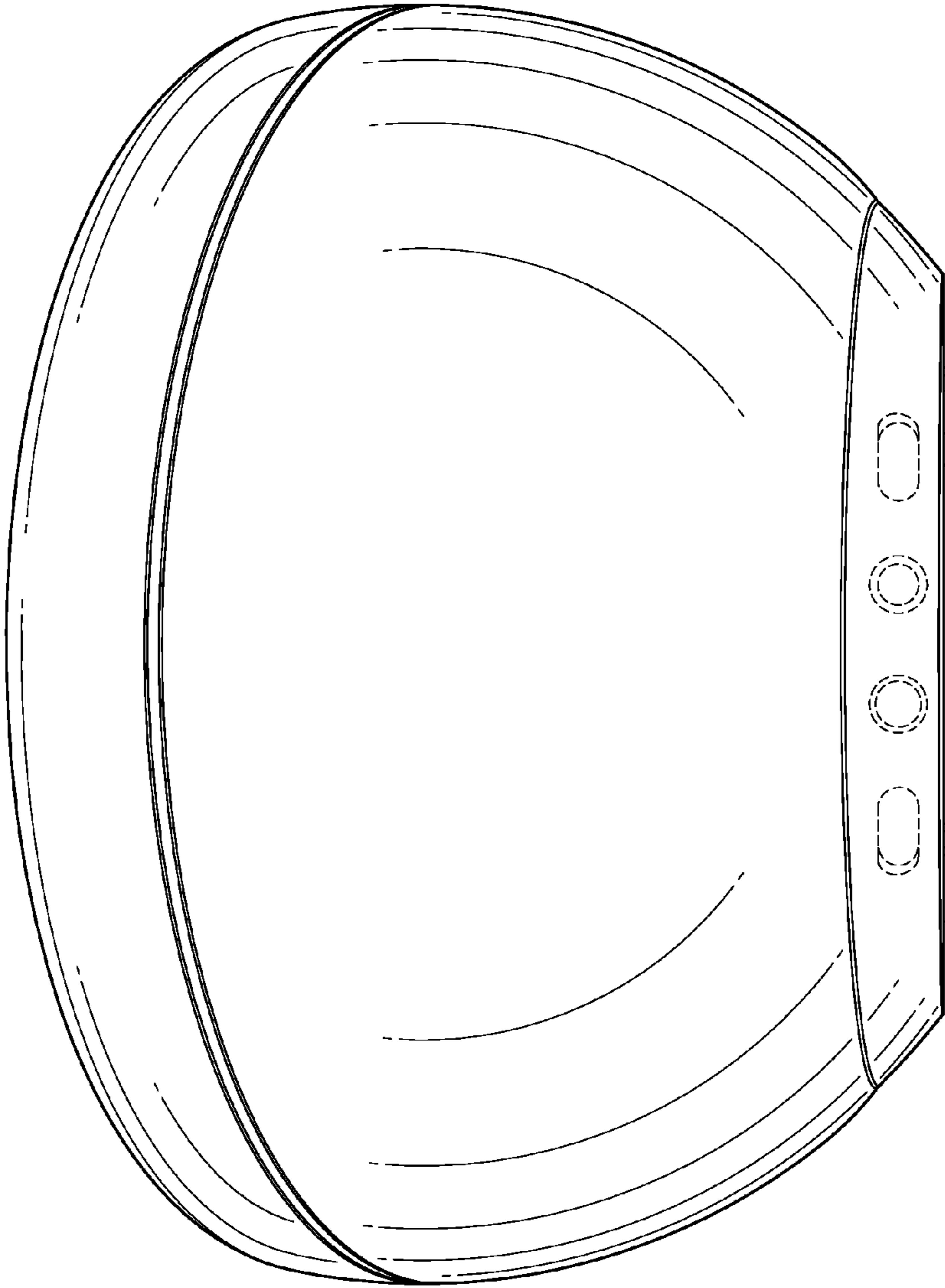


FIG. 4

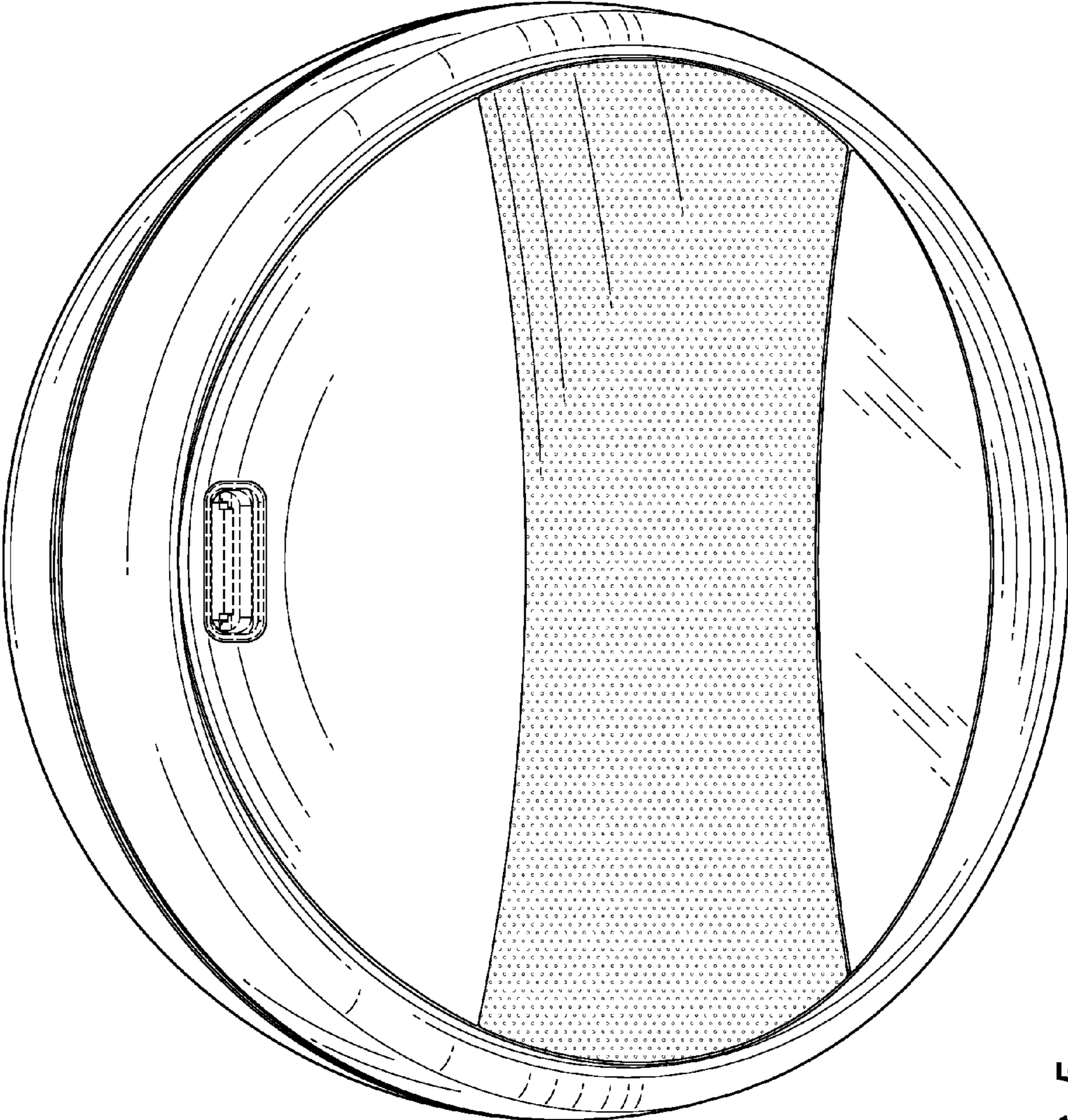


FIG. 5

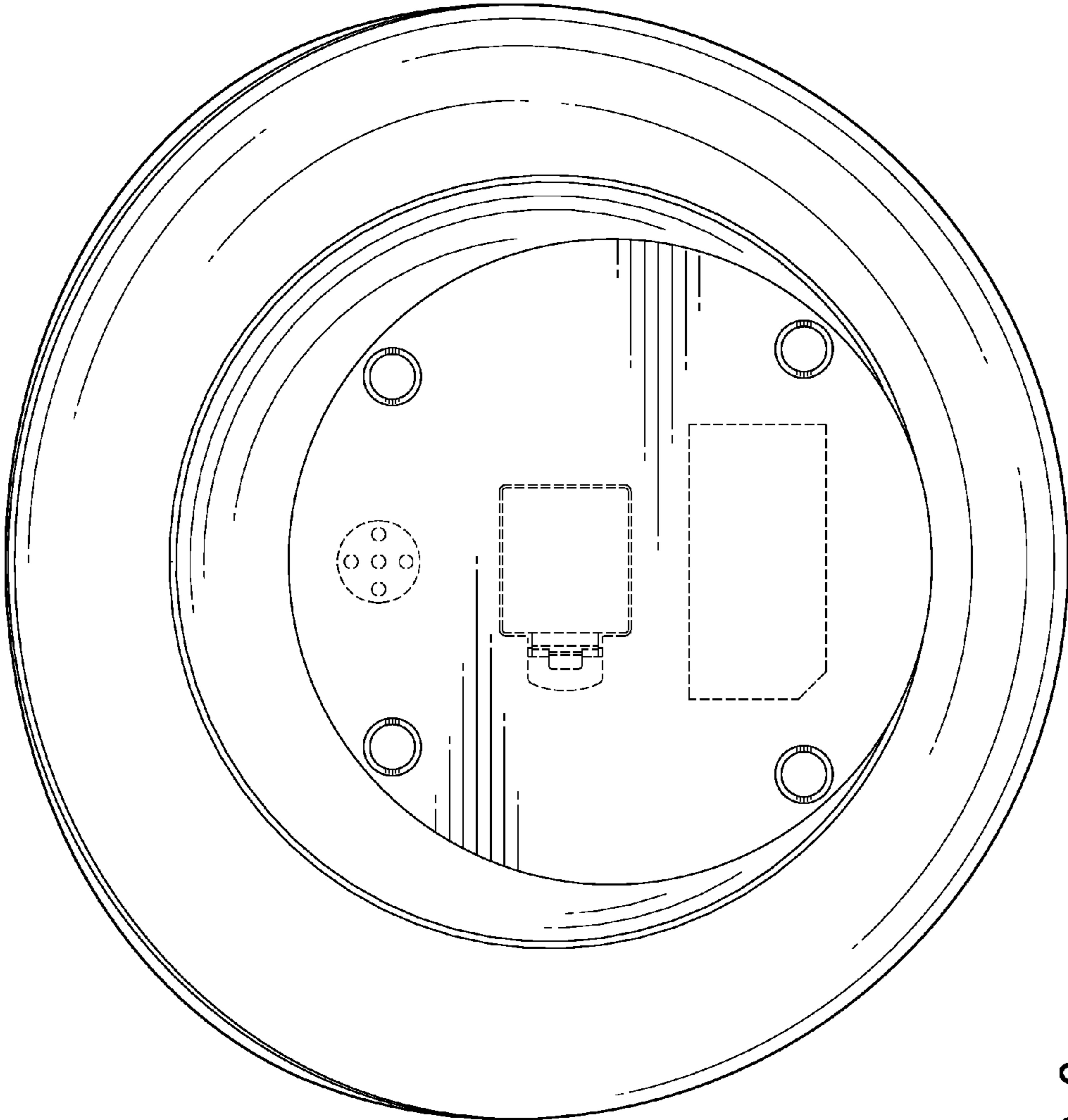


FIG. 6

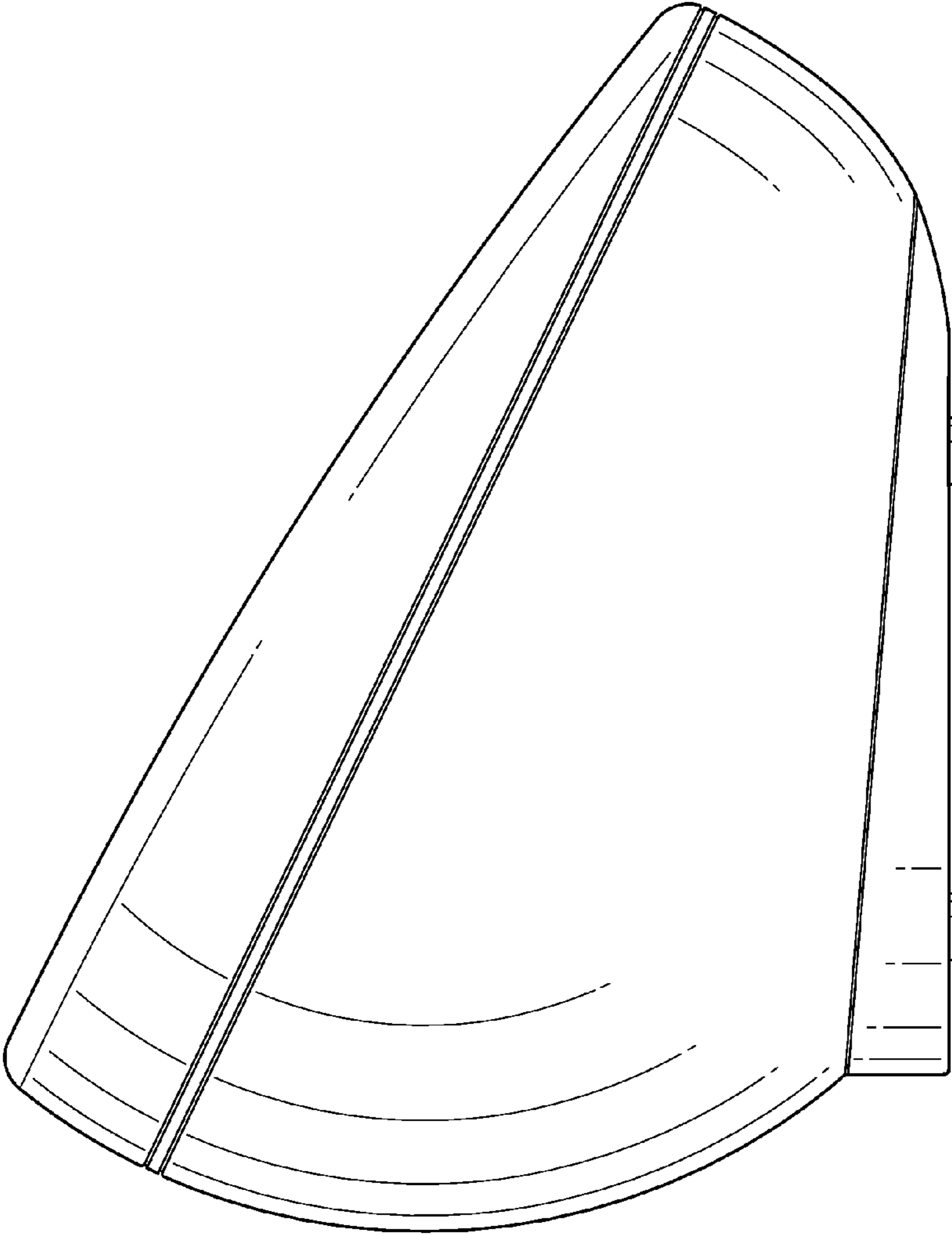


FIG. 7

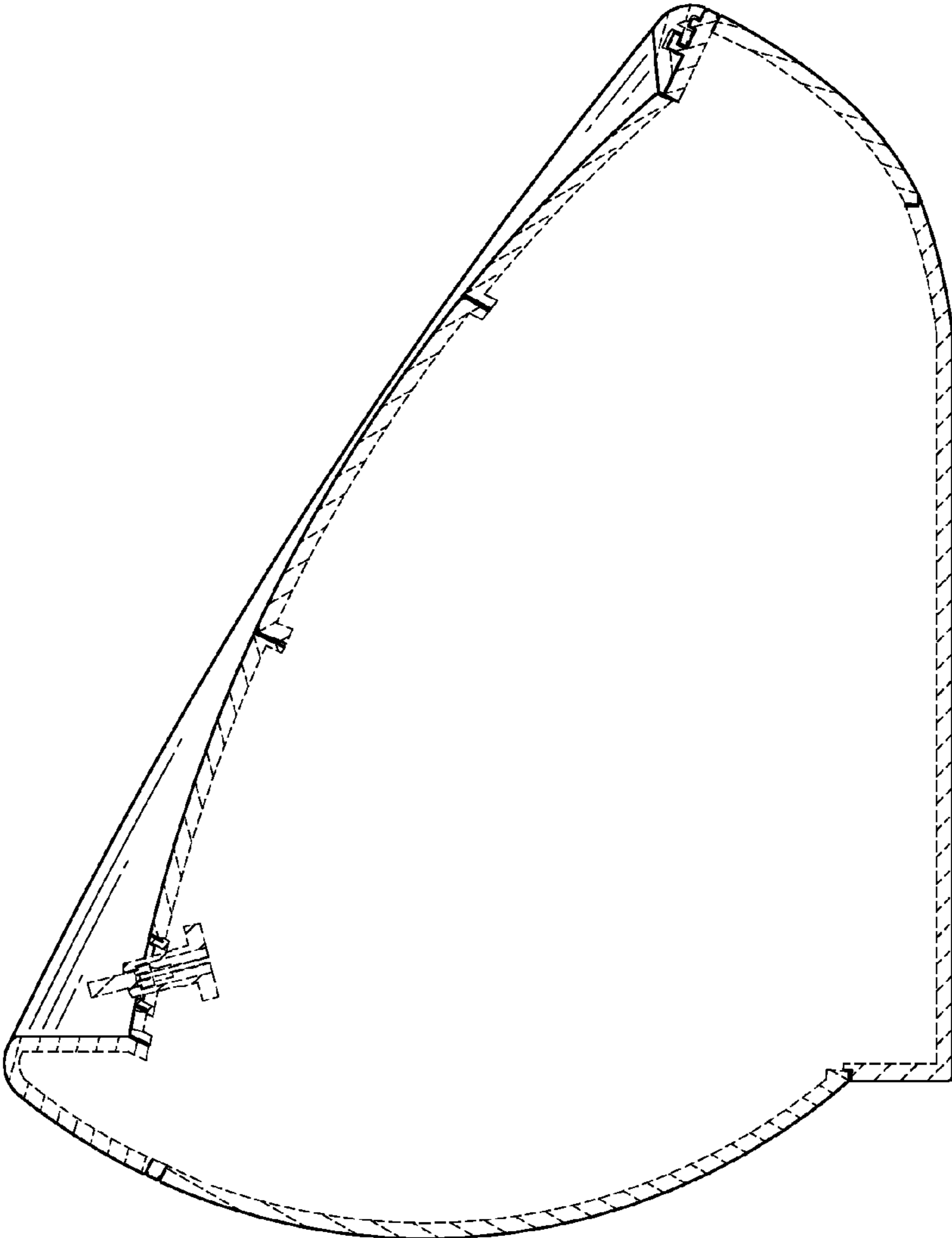


FIG. 8