



US00D647500S

(12) **United States Design Patent**
Kim

(10) **Patent No.:** **US D647,500 S**

(45) **Date of Patent:** **** Oct. 25, 2011**

(54) **MOBILE PHONE**

(75) **Inventor:** **Ki-Sung Kim**, Seoul (KR)

(73) **Assignee:** **Samsung Electronics Co., Ltd.** (KR)

(**) **Term:** **14 Years**

(21) **Appl. No.:** **29/381,921**

(22) **Filed:** **Dec. 27, 2010**

(30) **Foreign Application Priority Data**

Nov. 26, 2010 (KR) 30-2010-0050985

(51) **LOC (9) Cl.** **14-03**

(52) **U.S. Cl.** **D14/138 AA; D14/138 AD**

(58) **Field of Classification Search** D14/138 AA,
D14/496, 341, 345, 346, 203.3, 203.4, 203.7,
D14/138 AD, 138 R, 147, 218, 137; 455/575.1,
455/556.2, 575.3, 575.4; D21/517; 379/433.01,
379/433.04, 433.11, 433.12, 433.13; D13/168

See application file for complete search history.

(56) **References Cited**

U.S. PATENT DOCUMENTS

D488,810 S *	4/2004	Lin et al.	D14/341
D490,419 S *	5/2004	Shiue et al.	D14/341
D543,179 S *	5/2007	Ban Den Nieuwenhuizen et al.	D14/138 AA
D545,801 S *	7/2007	Joung	D14/138 AA
D552,584 S *	10/2007	Lee	D14/138 AA
D559,222 S *	1/2008	Chen	D14/138 AA
D573,970 S *	7/2008	Park	D14/138 AA
D574,347 S *	8/2008	Lee et al.	D14/138 AA
D583,344 S *	12/2008	Sohn et al.	D14/138 AD
D598,413 S *	8/2009	Chen	D14/138 AA
D598,416 S *	8/2009	Kangasmaa et al. ..	D14/138 AA
D601,117 S *	9/2009	Hong et al.	D14/138 AA
D601,530 S *	10/2009	Park et al.	D14/138 AA
D601,536 S *	10/2009	Chambers	D14/138 AA
D609,664 S *	2/2010	Lee et al.	D14/138 AA
D610,122 S *	2/2010	Kim et al.	D14/138 AA

D614,599 S *	4/2010	Kim et al.	D14/138 AA
D615,520 S *	5/2010	Kim et al.	D14/138 AA
D615,523 S *	5/2010	Lee et al.	D14/138 AA
D615,952 S *	5/2010	Kim et al.	D14/138 AA
D615,953 S *	5/2010	Lee et al.	D14/138 AA
D615,955 S *	5/2010	Oh et al.	D14/138 AA
D617,751 S *	6/2010	Lee et al.	D14/138 AA
D617,756 S *	6/2010	Song et al.	D14/138 AA

(Continued)

OTHER PUBLICATIONS

Samsung U460 Intensity II telephone, announced Jul. 2010, [online], [site visited Mar. 25, 2011]. Available from Internet, <URL: <http://www.gsmarena.com>>.*

(Continued)

Primary Examiner — Jeffrey D Asch

(74) *Attorney, Agent, or Firm* — NSIP Law

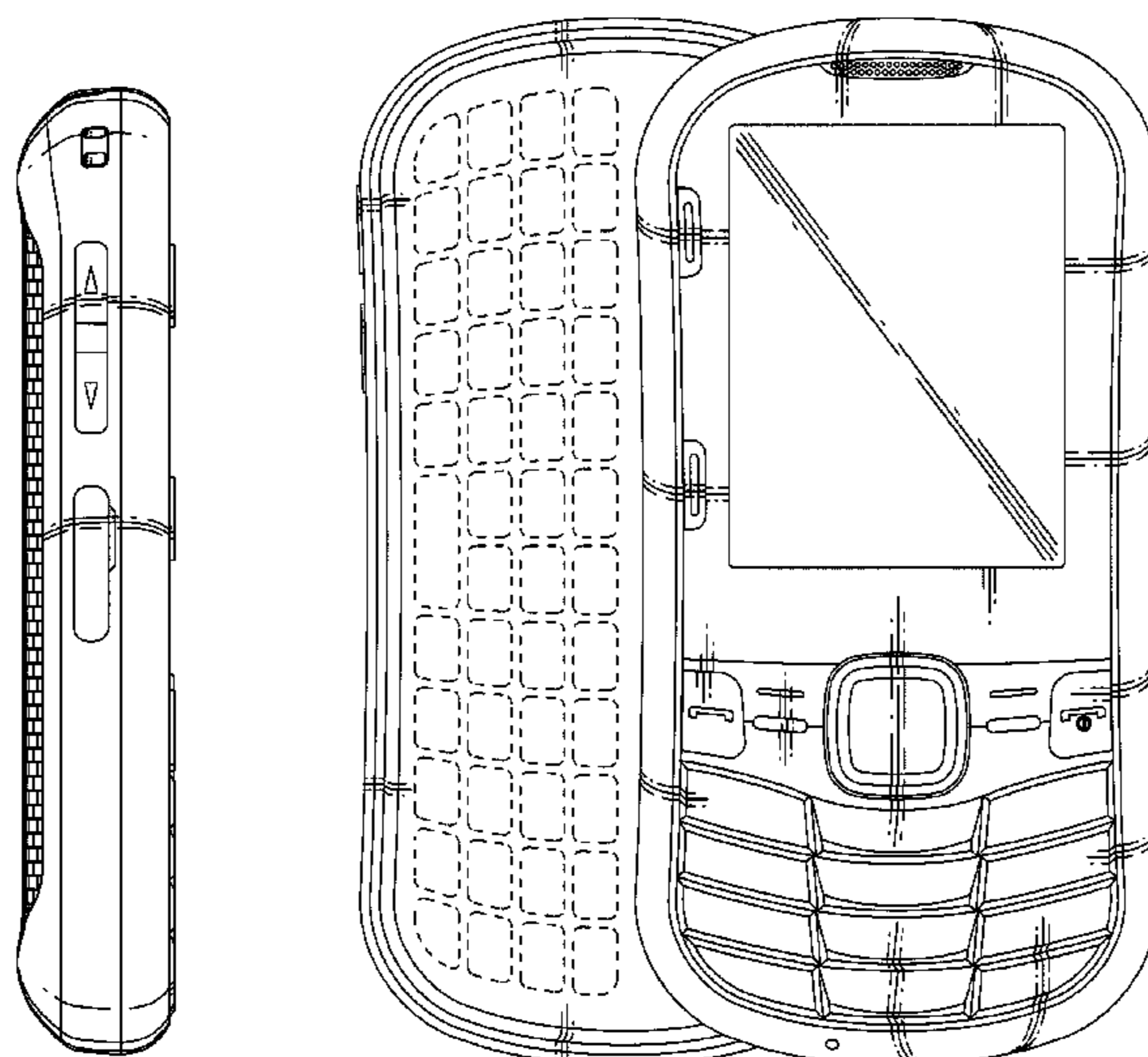
(57) **CLAIM**

The ornamental design for a mobile phone, as shown and described.

DESCRIPTION

FIG. 1 is a perspective view of a mobile phone; FIG. 2 is a front view of the mobile phone of FIG. 1; FIG. 3 is a rear view of the mobile phone of FIG. 1; FIG. 4 is a left-side view of the mobile phone of FIG. 1; FIG. 5 is a right-side view of the mobile phone of FIG. 1; FIG. 6 is a top plan view of the mobile phone of FIG. 1; FIG. 7 is a bottom plan view of the mobile phone of FIG. 1; and, FIG. 8 is an open view of the mobile phone of FIG. 1. The broken lines shown in FIG. 8, which are immediately adjacent to the shaded areas and define unshaded regions, represent the bounds of the claimed design, while all other broken lines are directed to environment and are for illustrative purposes only; the broken lines form no part of the claimed design.

1 Claim, 6 Drawing Sheets



U.S. PATENT DOCUMENTS

D618,202 S * 6/2010 Chaumont et al. D14/138 AA
D632,274 S * 2/2011 Nilsen et al. D14/138 AA

OTHER PUBLICATIONS

Samsung U450 Intensity telephone, announced Jul. 2009, [online], [site visited Mar. 25, 2011]. Available from Internet, <URL: <http://www.gsmarena.com>>.*

Samsung M750 Restore telephone, announced Apr. 2010, [online], [site visited Mar. 25, 2011]. Available from Internet, <URL: <http://www.gsmarena.com>>.*

Samsung T401G Intensitu II telephone, announced Oct. 2009, [online], [site visited Mar. 25, 2011]. Available from Internet, <URL: <http://www.gsmarena.com>>.*

Samsung R570 Messenger III telephone, announced Nov. 2010, [online], [site visited Mar. 25, 2011]. Available from Internet, <URL: <http://www.gsmarena.com>>.*

Samsung R580 Profile telephone, announced Nov. 2010, [online], [site visited Mar. 25, 2011]. Available from Internet, <URL: <http://www.gsmarena.com>>.*

Samsung A667 Evergreen telephone, announced Nov. 2010, [online], [site visited Mar. 25, 2011]. Available from Internet, <URL: <http://www.gsmarena.com>>.*

LG Octane telephone, announced Oct. 2010, [online], [site visited Mar. 25, 2011]. Available from Internet, <URL: <http://www.gsmarena.com>>.*

Alcatel OT-606 One Touch Chat telephone, announced Feb. 2010, [online], [site visited Mar. 25, 2011]. Available from Internet, <URL: <http://www.gsmarena.com>>.*

Nokia E75 telephone, announced Feb. 2009, [online], [site visited Mar. 25, 2011]. Available from Internet, <URL: <http://www.gsmarena.com>>.*

Nokia 5730 XpressMusic telephone, announced Mar. 2009, [online], [site visited Mar. 25, 2011]. Available from Internet, <URL: <http://www.gsmarena.com>>.*

* cited by examiner

FIG. 1

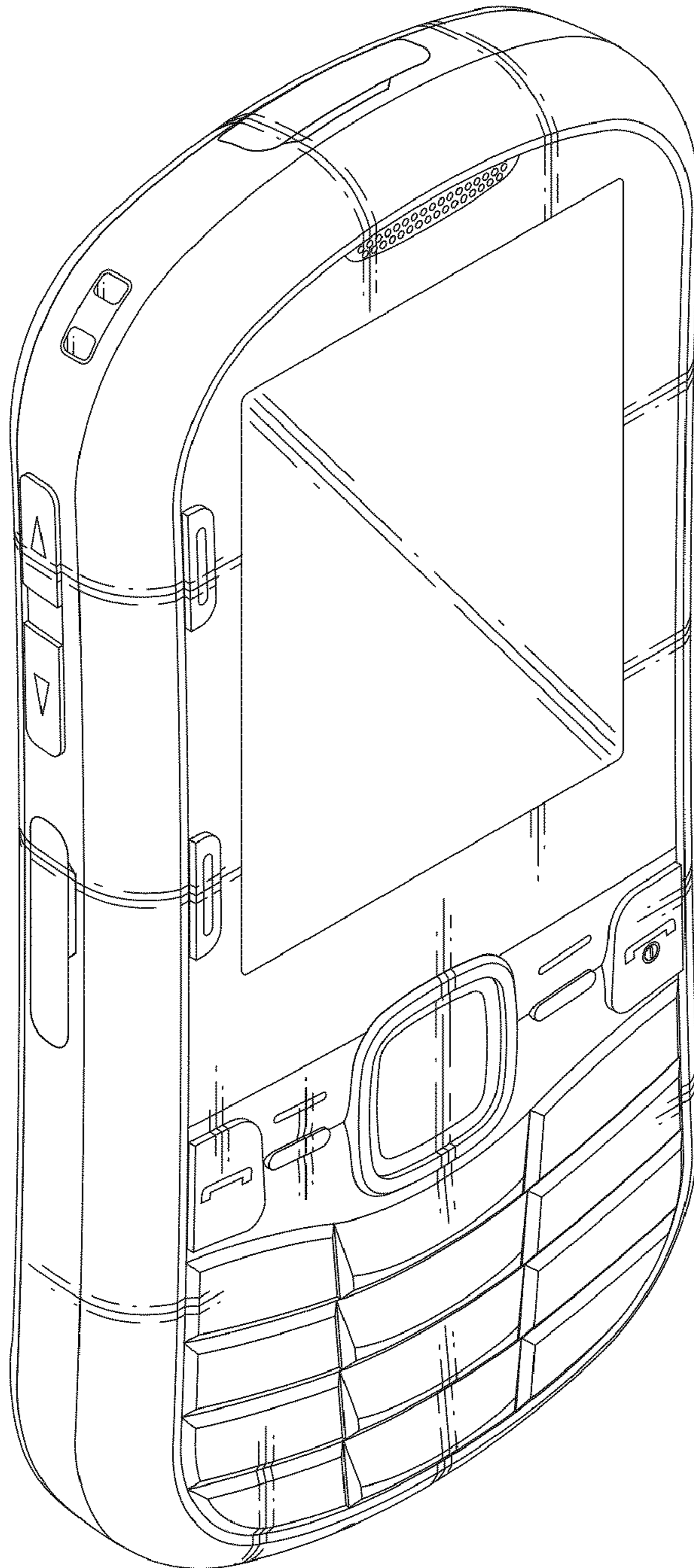


FIG. 2

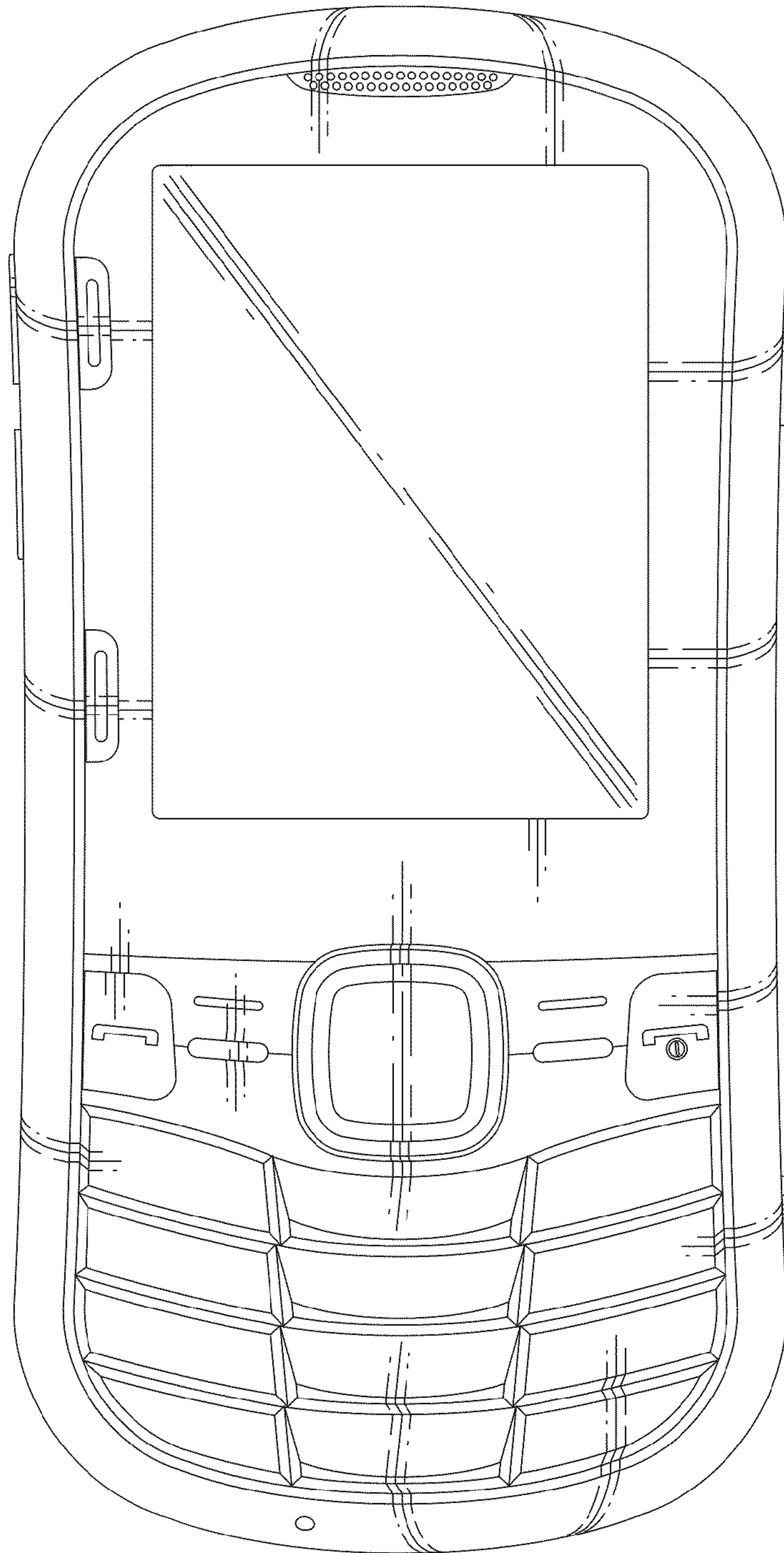


FIG. 3

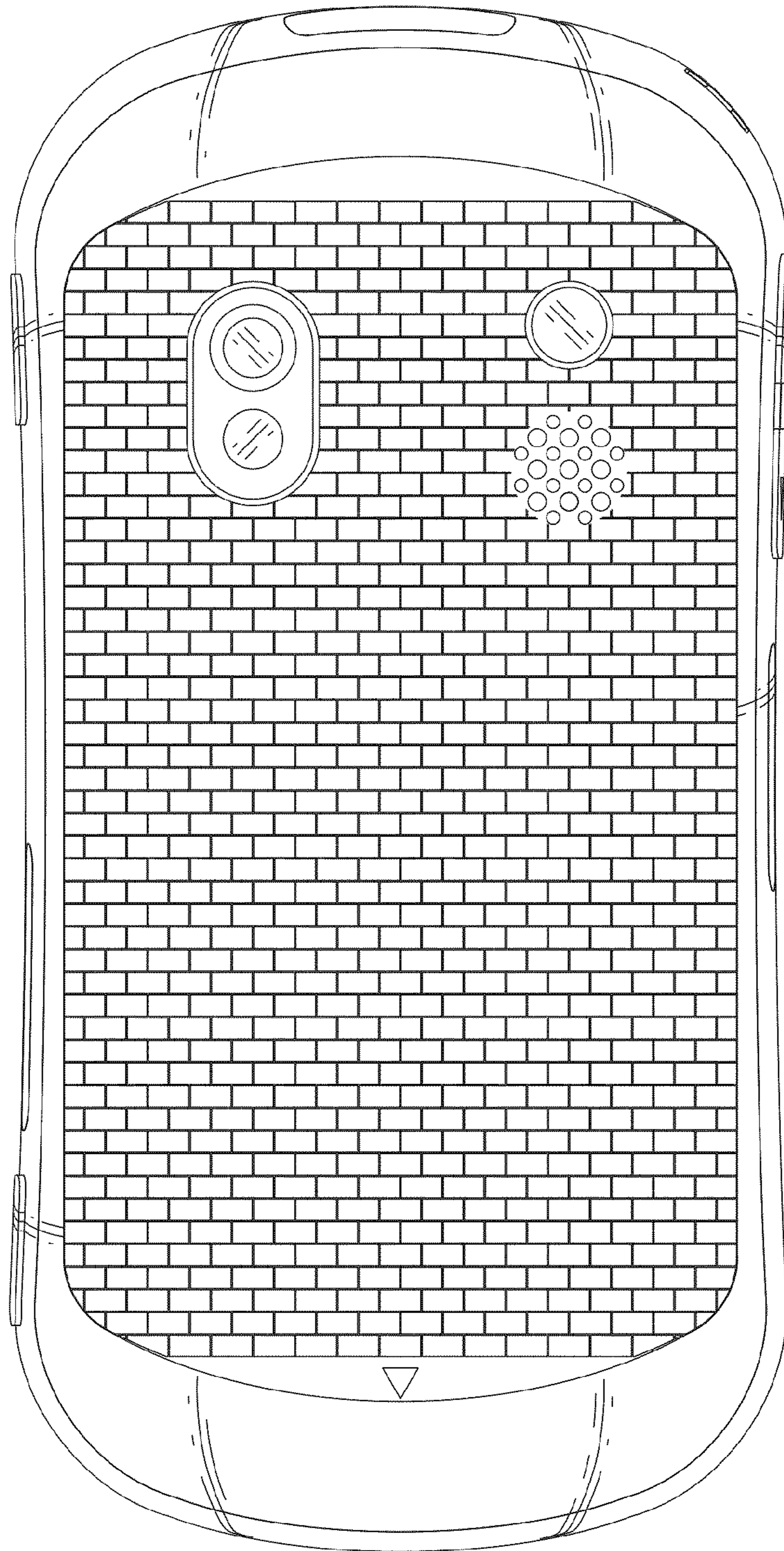


FIG. 4

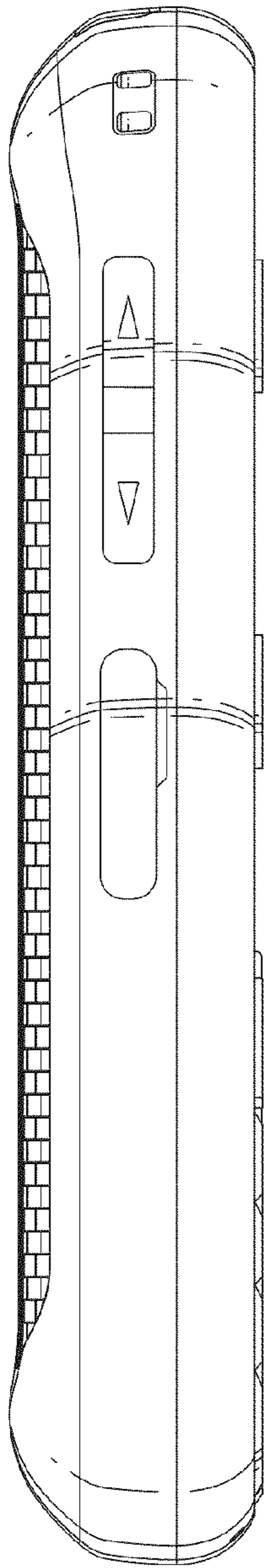


FIG. 5

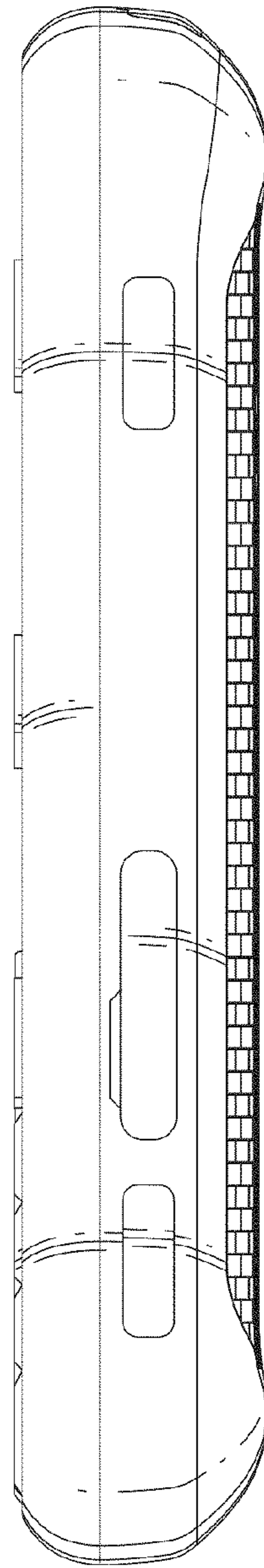


FIG. 6

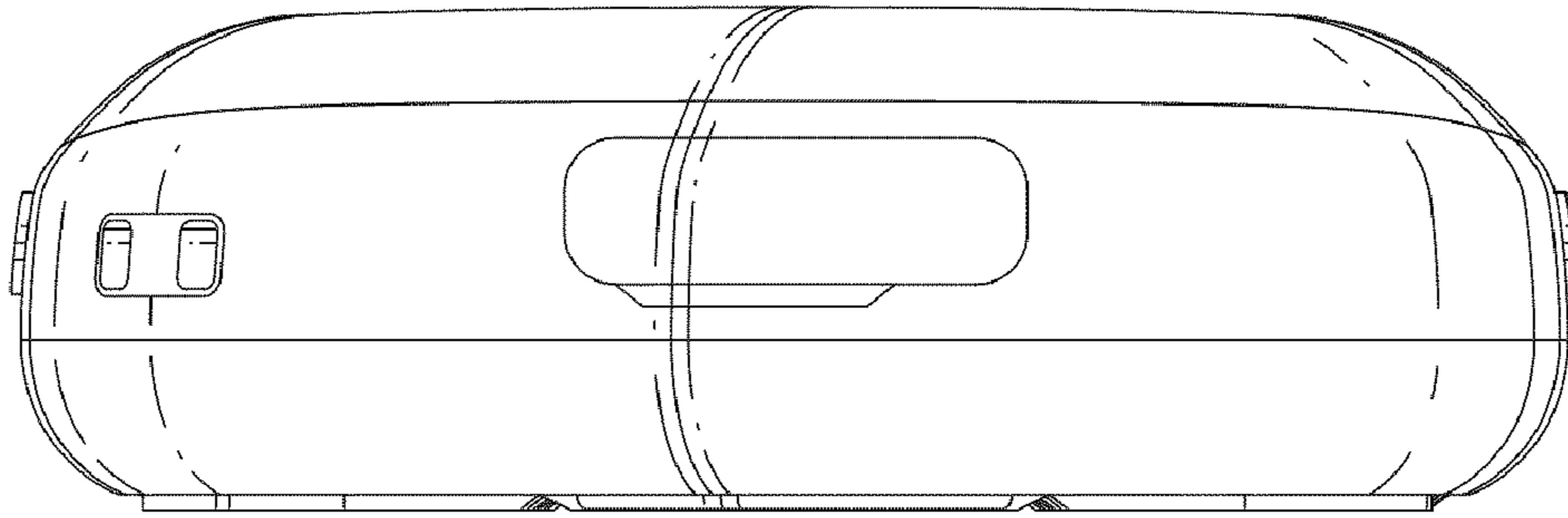


FIG. 7

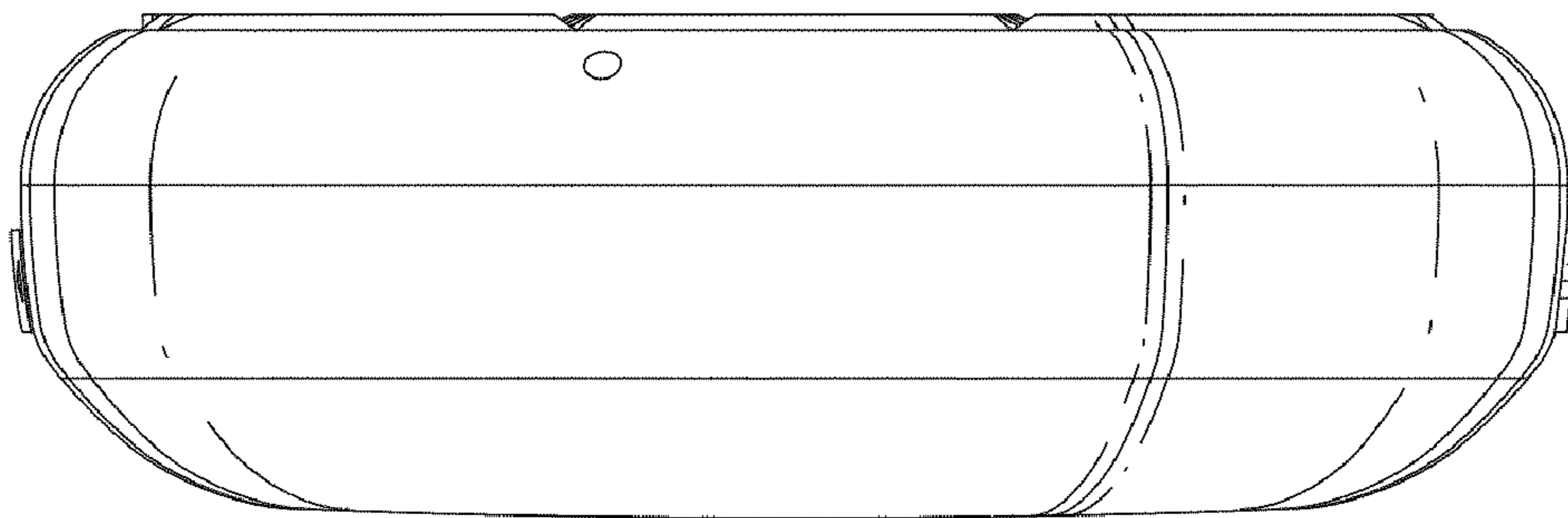


FIG. 8

