



US00D647495S

(12) **United States Design Patent**  
**Chang et al.**

(10) **Patent No.:** **US D647,495 S**

(45) **Date of Patent:** **\*\* Oct. 25, 2011**

(54) **LIGHT-EMITTING DIODE**

(75) Inventors: **Hsiang-Szu Chang**, Yangmei (TW);  
**Nien-Tze Yeh**, Zhongli (TW); **Kuen-Pu Lu**, Xinzhuang (TW); **Chia-Hsun Chen**,  
Yongkang (TW); **Yu-Ting Huang**, Wuri  
Township (TW)

(73) Assignee: **Tekcore Co., Ltd**, Nantou (TW)

(\*\*) Term: **14 Years**

(21) Appl. No.: **29/385,937**

(22) Filed: **Feb. 23, 2011**

(30) **Foreign Application Priority Data**

Oct. 15, 2010 (TW) ..... 99305263

(51) **LOC (9) Cl.** ..... **13-03**

(52) **U.S. Cl.** ..... **D13/180**

(58) **Field of Classification Search** ..... D13/180;  
D26/1, 2; 257/79, 80, 81, 88, 89, 95, 98,  
257/99, 100, E33.058; 313/483, 498, 500;  
362/555, 800

See application file for complete search history.

(56) **References Cited**

**U.S. PATENT DOCUMENTS**

D580,888 S \* 11/2008 Liu ..... D13/180  
D606,949 S \* 12/2009 Liu ..... D13/180

D619,976 S \* 7/2010 Liu et al. .... D13/180  
D620,897 S \* 8/2010 Shan et al. .... D13/180  
D627,747 S \* 11/2010 Chu et al. .... D13/180  
D638,377 S \* 5/2011 Yan et al. .... D13/180  
2010/0133581 A1\* 6/2010 Shi ..... 257/99  
2011/0121329 A1\* 5/2011 Chen et al. .... 257/91

\* cited by examiner

*Primary Examiner* — Selina Sikder

(74) *Attorney, Agent, or Firm* — David I. Roche; Baker &  
McKenzie LLP

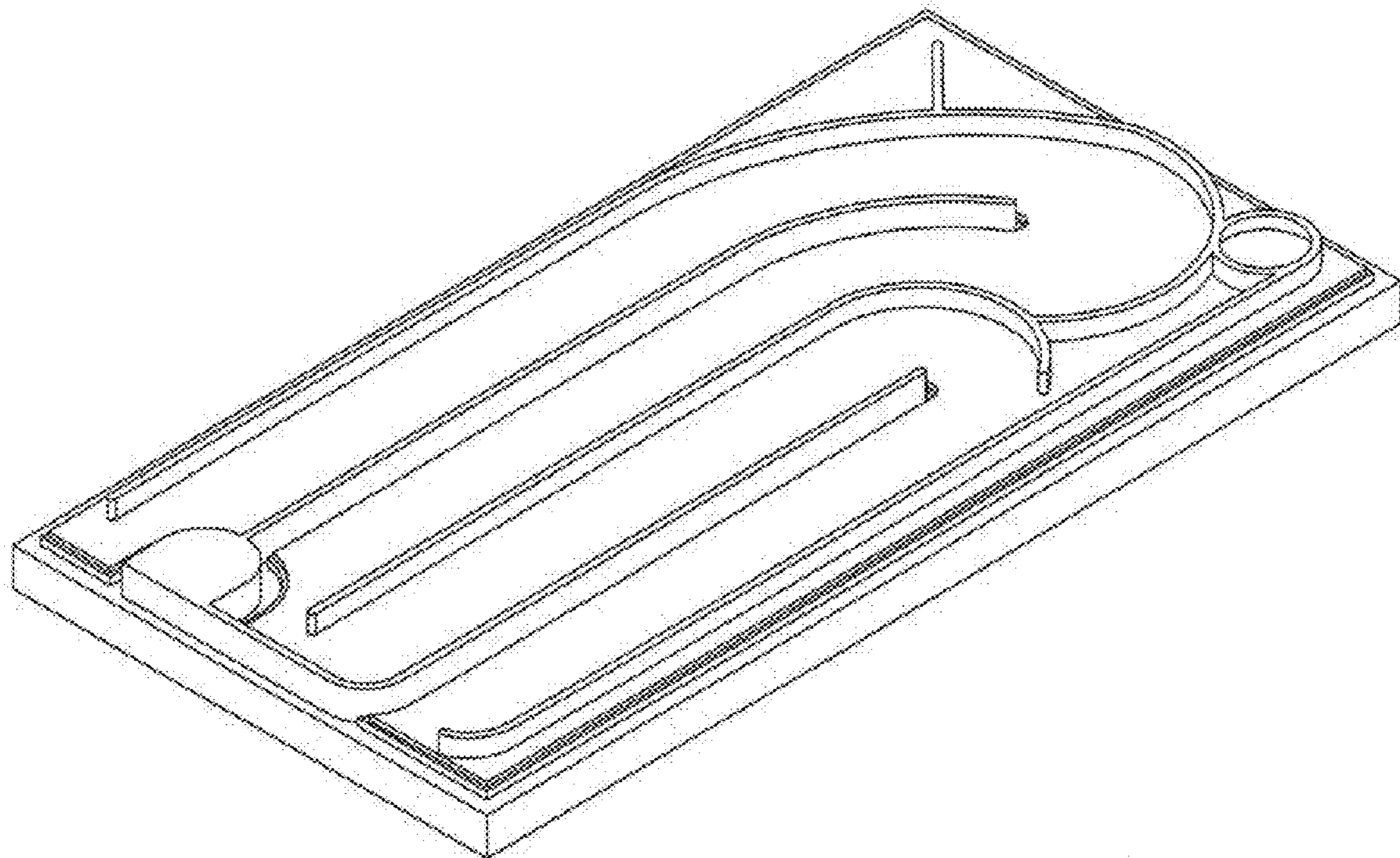
(57) **CLAIM**

The ornamental design for a light-emitting diode, as shown  
and described.

**DESCRIPTION**

FIG. 1 is a perspective view showing an embodiment of my  
design for a light-emitting diode;  
FIG. 2 is a top plan view of an embodiment of my design for  
a light-emitting diode;  
FIG. 3 is a bottom plan view of an embodiment of my design  
for a light-emitting diode;  
FIG. 4 is a front elevation view of an embodiment of my  
design for a light-emitting diode;  
FIG. 5 is a rear elevation view of an embodiment of my design  
for a light-emitting diode;  
FIG. 6 is a right elevation view of an embodiment of my  
design for a light-emitting diode; and,  
FIG. 7 is a left elevation view of an embodiment of my design  
for a light-emitting diode.

**1 Claim, 7 Drawing Sheets**



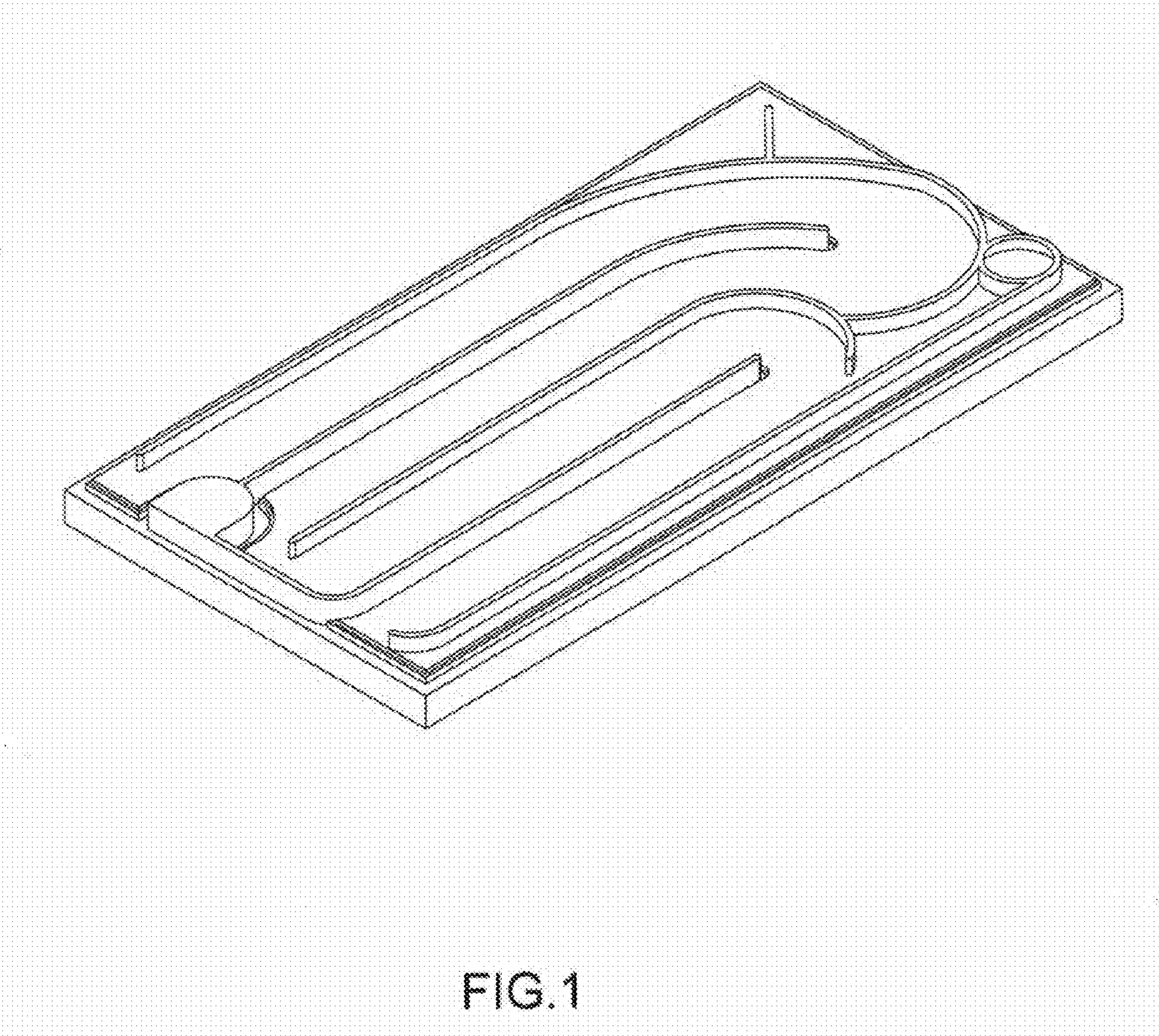


FIG. 1

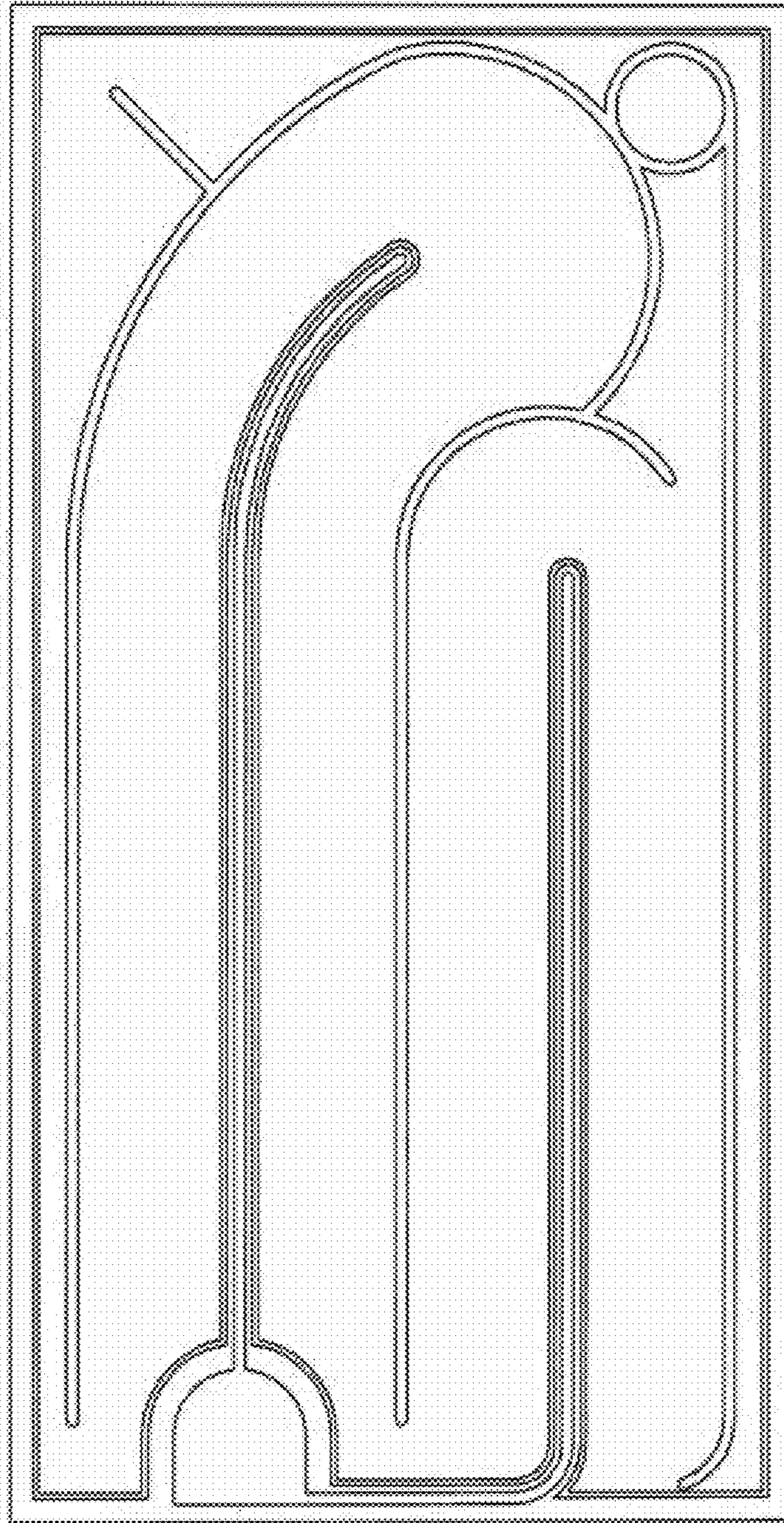


FIG.2

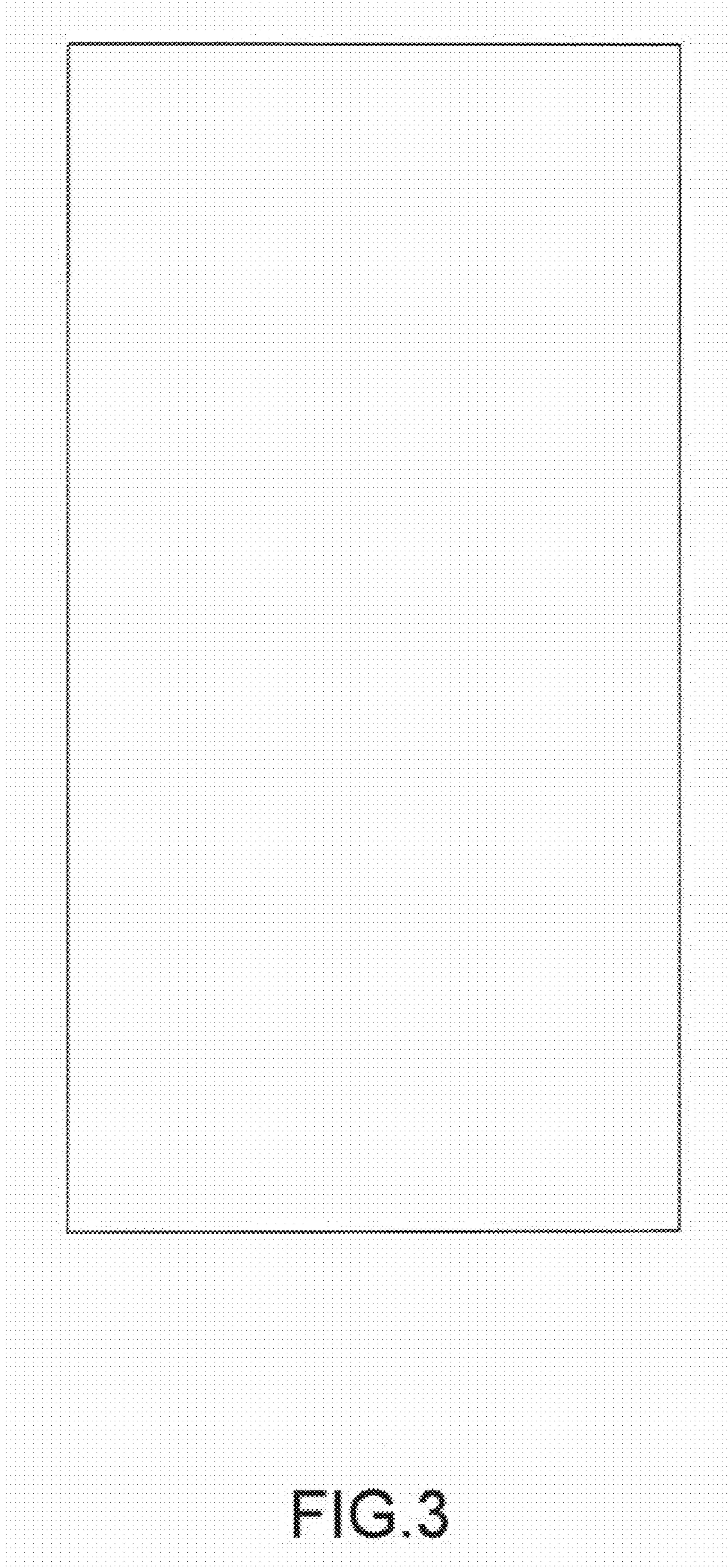


FIG. 3

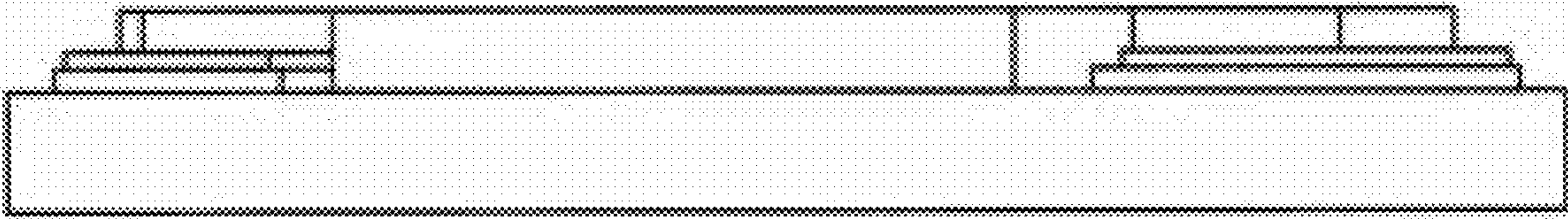


FIG.4

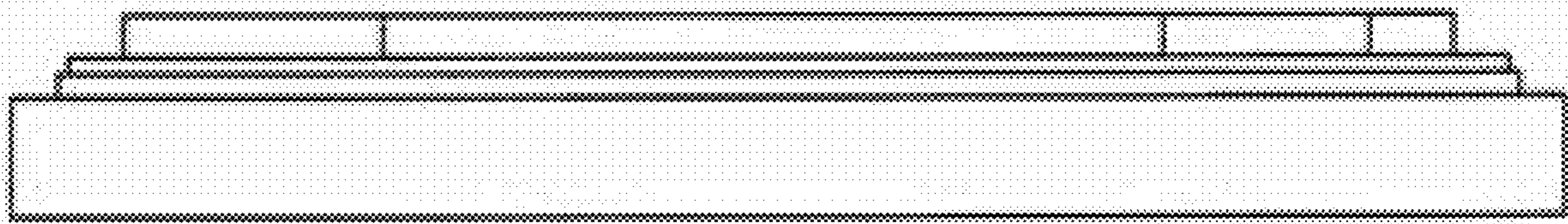


FIG. 5

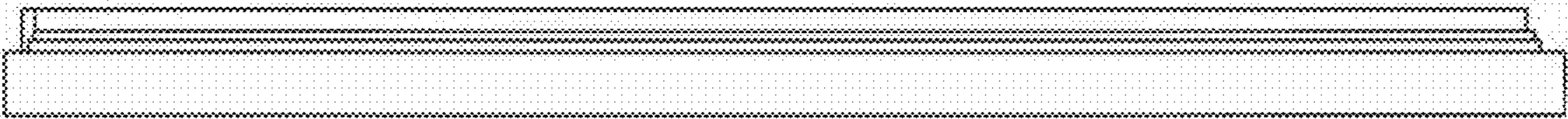


FIG.6

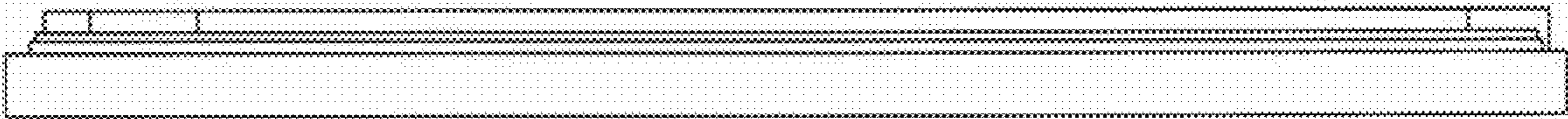


FIG.7