



US00D647494S

(12) **United States Design Patent**
Chang et al.

(10) **Patent No.:** **US D647,494 S**
(45) **Date of Patent:** **** Oct. 25, 2011**

(54) **LIGHT-EMITTING DIODE**

(75) Inventors: **Hsiang-Szu Chang**, Yangmei (TW);
Nien-Tze Yeh, Zhongli (TW); **Kuen-Pu Lu**, Xinzhuang (TW); **Chia-Hsun Chen**,
Yongkang (TW)

(73) Assignee: **Tekcore Co., Ltd.**, Nantou (TW)

(**) Term: **14 Years**

(21) Appl. No.: **29/385,934**

(22) Filed: **Feb. 23, 2011**

(30) **Foreign Application Priority Data**

Sep. 9, 2010 (TW) 99304564

(51) **LOC (9) Cl.** **13-03**

(52) **U.S. Cl.** **D13/180**

(58) **Field of Classification Search** D13/180;
D26/1, 2; 257/79, 80, 81, 88, 89, 95, 98,
257/99, 100, E33.058; 313/483, 498, 500;
362/555, 800

See application file for complete search history.

(56) **References Cited**

U.S. PATENT DOCUMENTS

D580,888 S * 11/2008 Liu D13/180
D606,949 S * 12/2009 Liu D13/180
D619,976 S * 7/2010 Liu et al. D13/180

D620,897 S * 8/2010 Shan et al. D13/180
D627,747 S * 11/2010 Chu et al. D13/180
D638,377 S * 5/2011 Yan et al. D13/180
2010/0133581 A1 * 6/2010 Shi 257/99
2011/0121329 A1 * 5/2011 Chen et al. 257/91

* cited by examiner

Primary Examiner — Selina Sikder

(74) *Attorney, Agent, or Firm* — David J. Rocke; Baker & McKenzie LLP

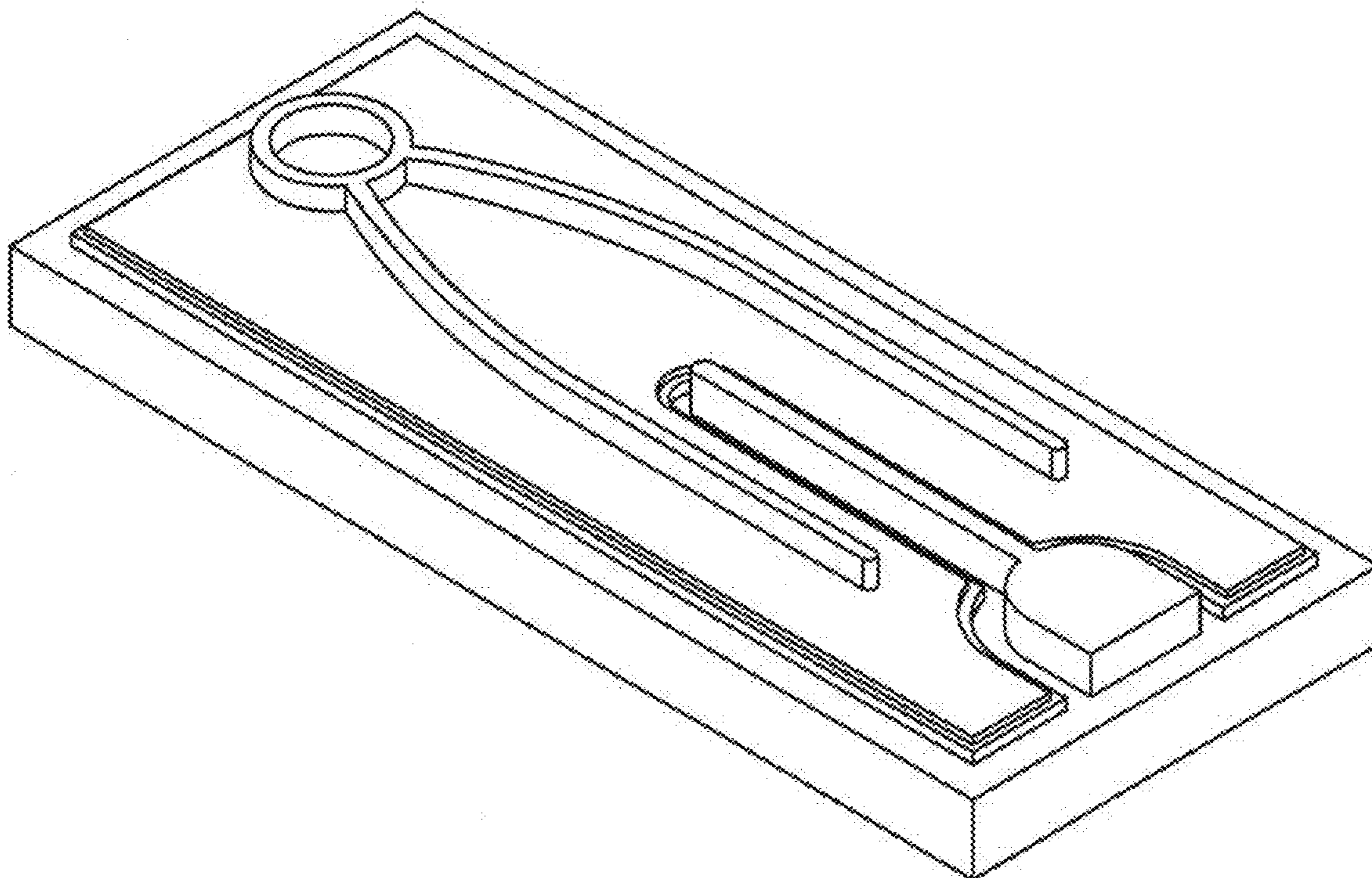
(57) **CLAIM**

The ornamental design for a light-emitting diode, as shown and described above.

DESCRIPTION

FIG. 1 is a perspective view showing an embodiment of my design for a light-emitting diode;
FIG. 2 is a top plan view of an embodiment of my design for a light-emitting diode;
FIG. 3 is a bottom plan view of an embodiment of my design for a light-emitting diode;
FIG. 4 is a front elevation view of an embodiment of my design for a light-emitting diode;
FIG. 5 is a rear elevation view of an embodiment of my design for a light-emitting diode;
FIG. 6 is a right elevation view of an embodiment of my design for a light-emitting diode; and,
FIG. 7 is a left elevation view of an embodiment of my design for a light-emitting diode.

1 Claim, 7 Drawing Sheets



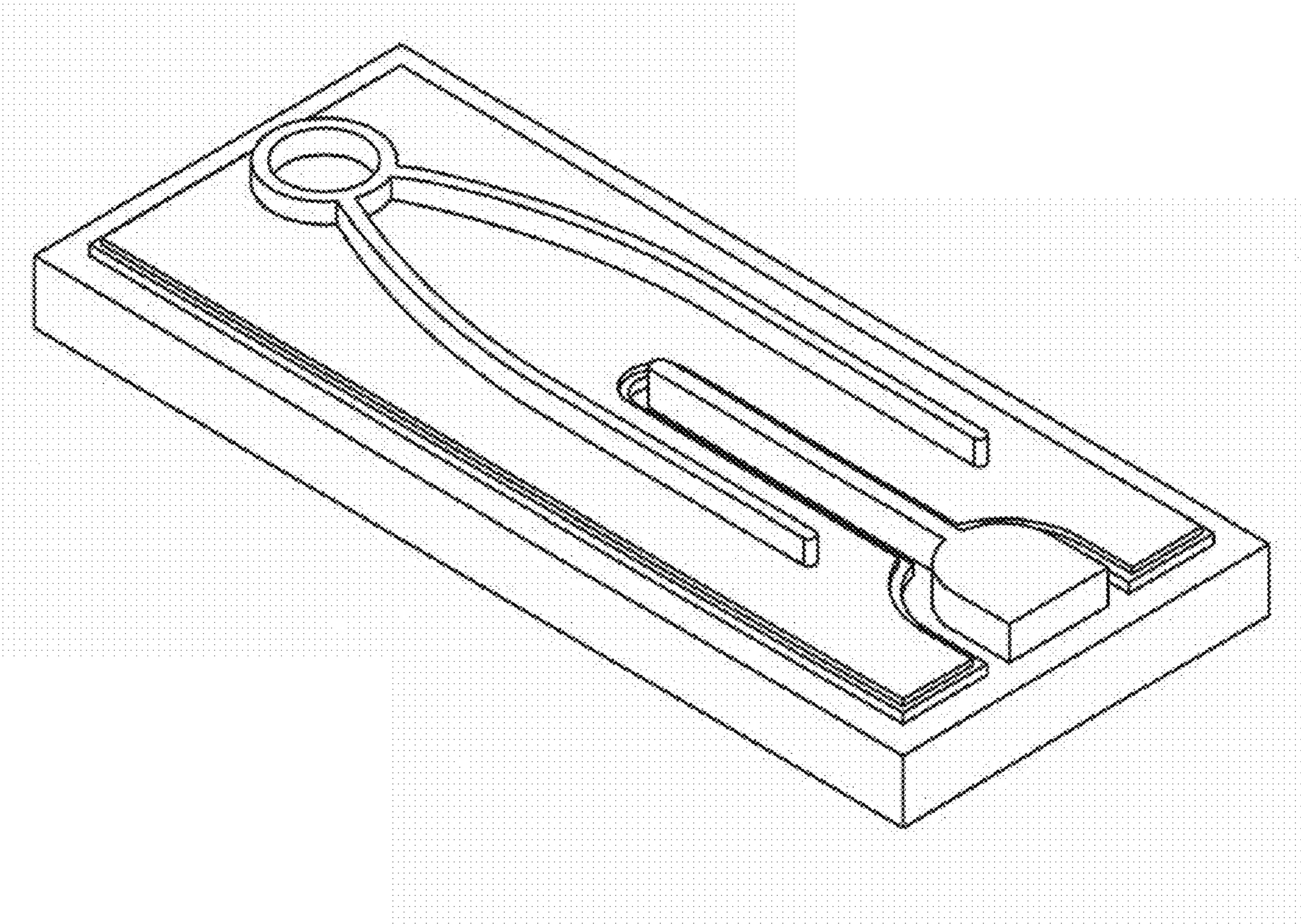


FIG. 1

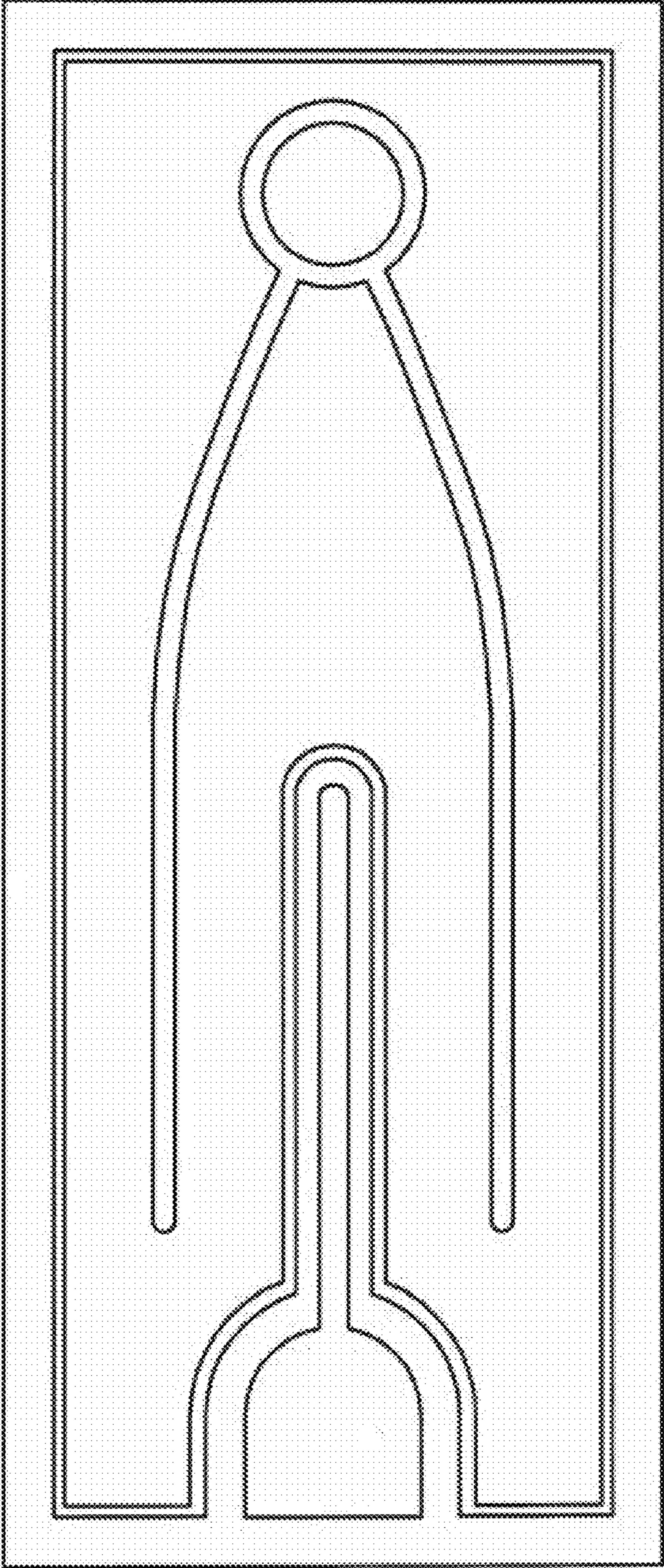


FIG. 2

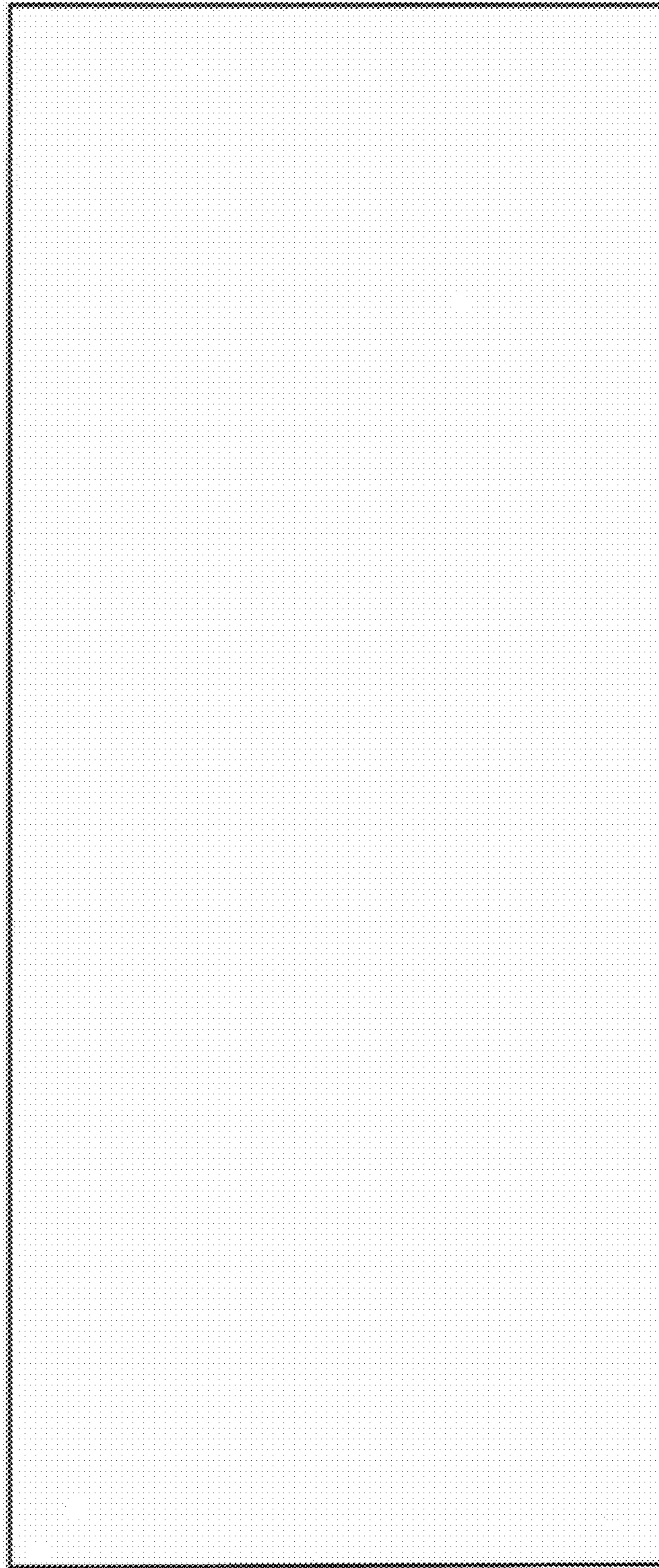


FIG.3

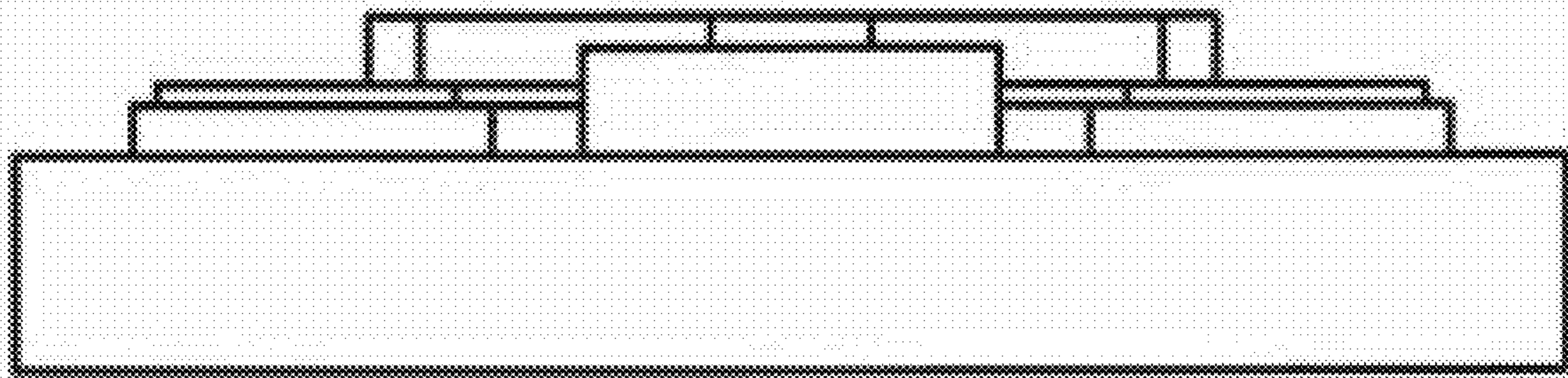


FIG.4



FIG. 5

