



US00D647491S

(12) **United States Design Patent**
Chen et al.

(10) **Patent No.:** **US D647,491 S**
(45) **Date of Patent:** **** Oct. 25, 2011**

(54) **LIGHT EMITTING DIODE**

(75) Inventors: **Yi-Wei Chen**, Tucheng (TW); **Po-Yu Chen**, Tucheng (TW)

(73) Assignee: **Everlight Electronics Co., Ltd.**,
Tucheng, Taipei County (TW)

(**) Term: **14 Years**

(21) Appl. No.: **29/383,607**

(22) Filed: **Jan. 20, 2011**

(30) **Foreign Application Priority Data**

Jul. 30, 2010 (TW) 99303763

(51) **LOC (9) Cl.** **13-03**

(52) **U.S. Cl.** **D13/180**

(58) **Field of Classification Search** D13/180;
257/79, 80, 81, 88, 89, 95, 98, 99, 100, E33.058;
313/483, 498, 500; 362/555, 800
See application file for complete search history.

(56) **References Cited**

U.S. PATENT DOCUMENTS

7,081,661	B2 *	7/2006	Takehara et al.	257/433
D540,270	S *	4/2007	Inoue	D13/180
D542,239	S *	5/2007	Egawa	D13/180
D566,055	S *	4/2008	Kim	D13/180
D580,888	S *	11/2008	Liu	D13/180
D580,891	S *	11/2008	Sung et al.	D13/180
D585,850	S *	2/2009	Won	D13/180
D593,968	S *	6/2009	Edmond et al.	D13/180
D597,968	S	8/2009	Kobayakawa et al.	
D597,971	S *	8/2009	Kobayakawa et al.	D13/180
7,755,099	B2 *	7/2010	Choi	257/99
D632,659	S *	2/2011	Hsieh	D13/180
2006/0131600	A1 *	6/2006	Nakaoka et al.	257/99
2006/0220050	A1 *	10/2006	Higaki et al.	257/99
2009/0101897	A1 *	4/2009	Murphy et al.	257/48

FOREIGN PATENT DOCUMENTS

JP	199056466	A	4/1990
JP	U3066206		11/1999
JP	D1066553		4/2000
JP	P2004319598	A	11/2004
JP	P2007287967	A	11/2007
JP	D1325977		3/2008
JP	D1330405		5/2008
JP	D1343584		11/2008

(Continued)

OTHER PUBLICATIONS

English translation of abstract of JP 199056466.

(Continued)

Primary Examiner — Selina Sikder

(74) *Attorney, Agent, or Firm* — Thomas, Kayden,
Horstemeyer & Risley, LLP

(57) **CLAIM**

The ornamental design for a light emitting diode, as shown and described.

DESCRIPTION

FIG. 1 is a perspective view of a light emitting diode showing the claimed design;

FIG. 2 is a front elevational view thereof;

FIG. 3 is a rear side elevational view thereof;

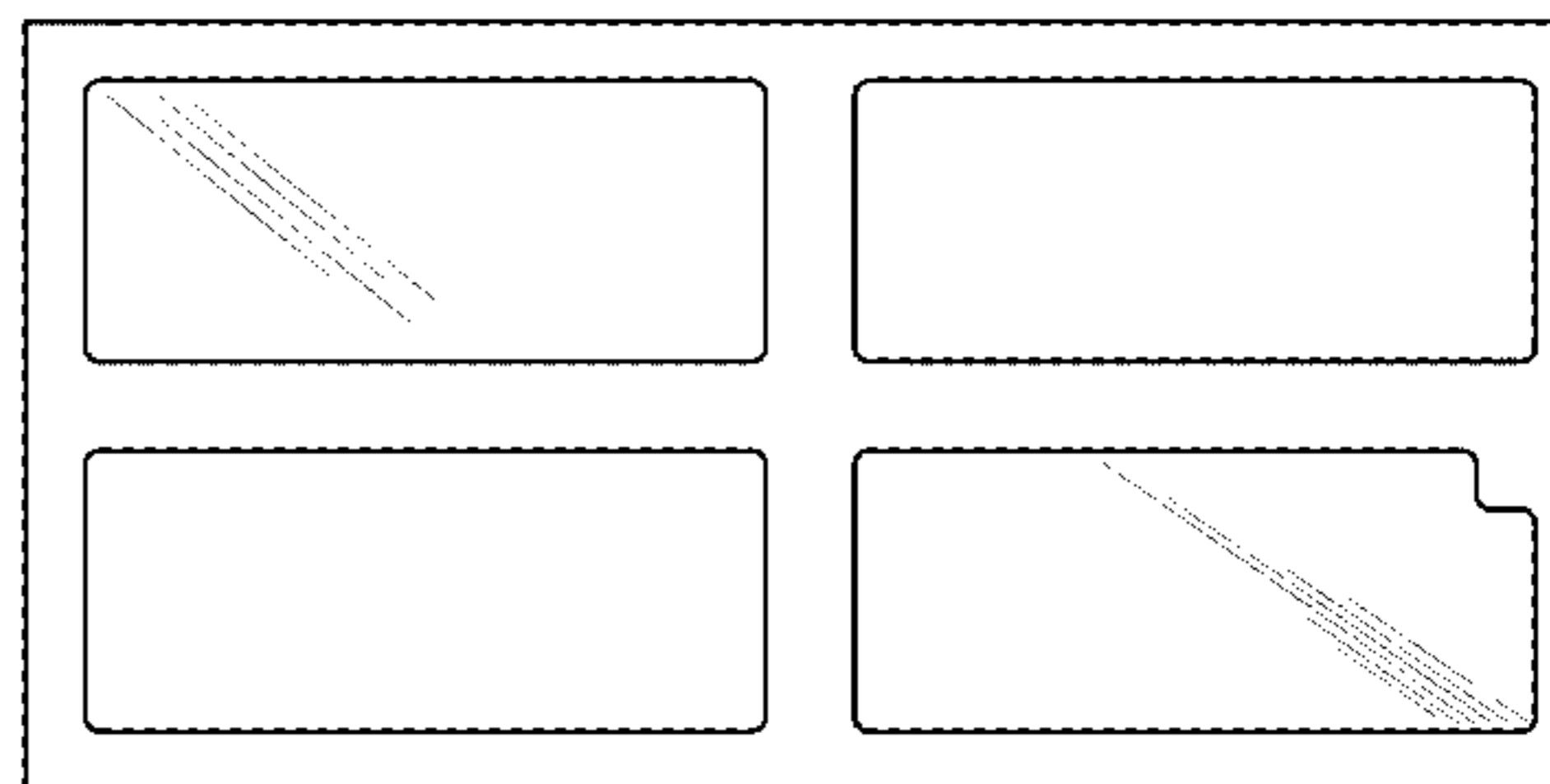
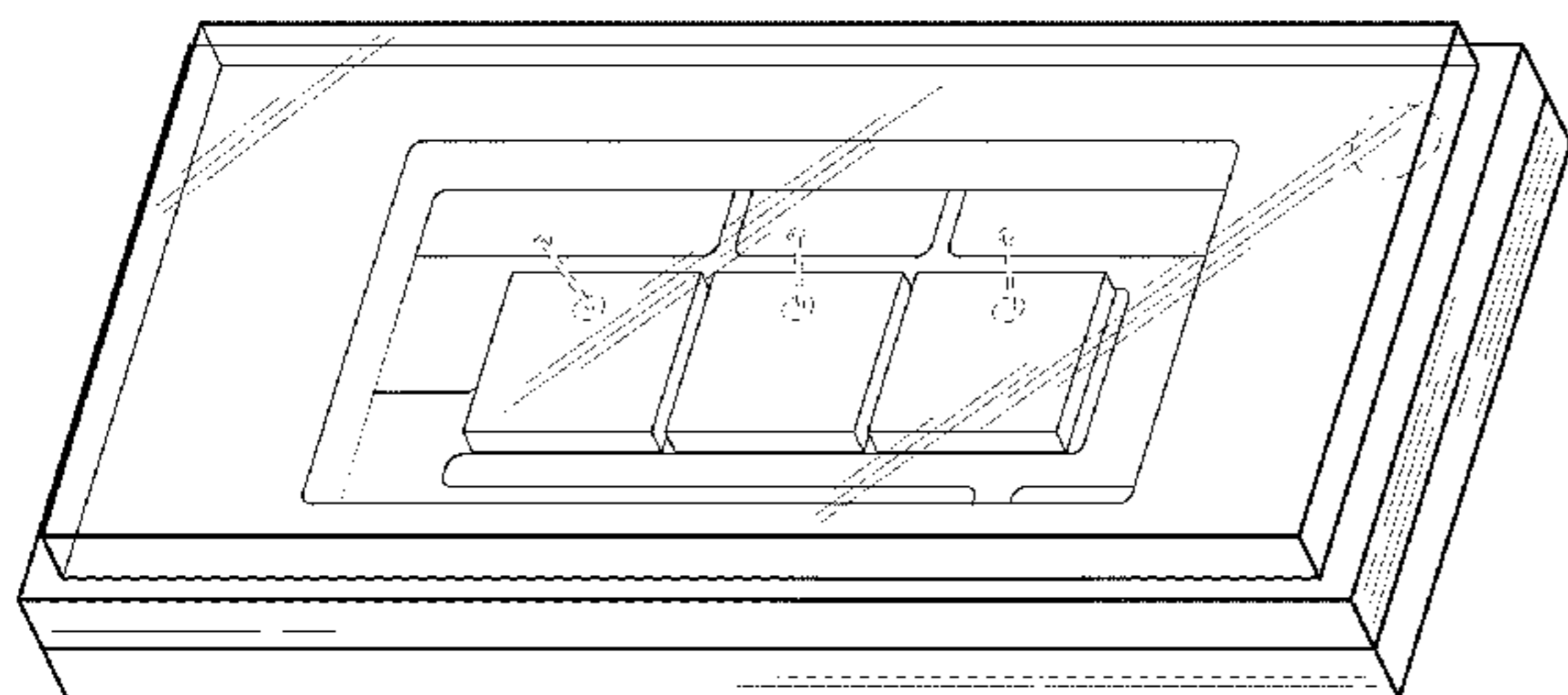
FIG. 4 is a right side elevational view thereof; a left side elevational view being a mirror image of FIG. 4;

FIG. 5 is a bottom plan view thereof; a top plan view being a mirror image of FIG. 5; and,

FIG. 6 is a cross-sectional view along Line 6-6 of FIG. 2.

The window cover of the design is made of light transmissible material. The broken lines are directed to environment and are for illustrative purpose only; the broken lines form no part of the claimed design.

1 Claim, 4 Drawing Sheets



US D647,491 S

Page 2

FOREIGN PATENT DOCUMENTS

JP	P200916153 A	1/2009
JP	P200960113 A	3/2009
TW	D113256	10/2006
TW	D124807	9/2008
TW	D125767	11/2008

OTHER PUBLICATIONS

English translation of JP D1325977.
English translation of JP D1343584.

English translation of abstract of JP 200960113A.
English translation of abstract of JP 2007287967A.
English translation of JP D1066553.
English translation of JP D1330405.
English translation of abstract of JP 200916153A.
English translation of abstract of JP 2004319598A.
English translation of abstract of JP U3066206.
Taiwan Notice of Allowance mailed Apr. 25, 2011.

* cited by examiner

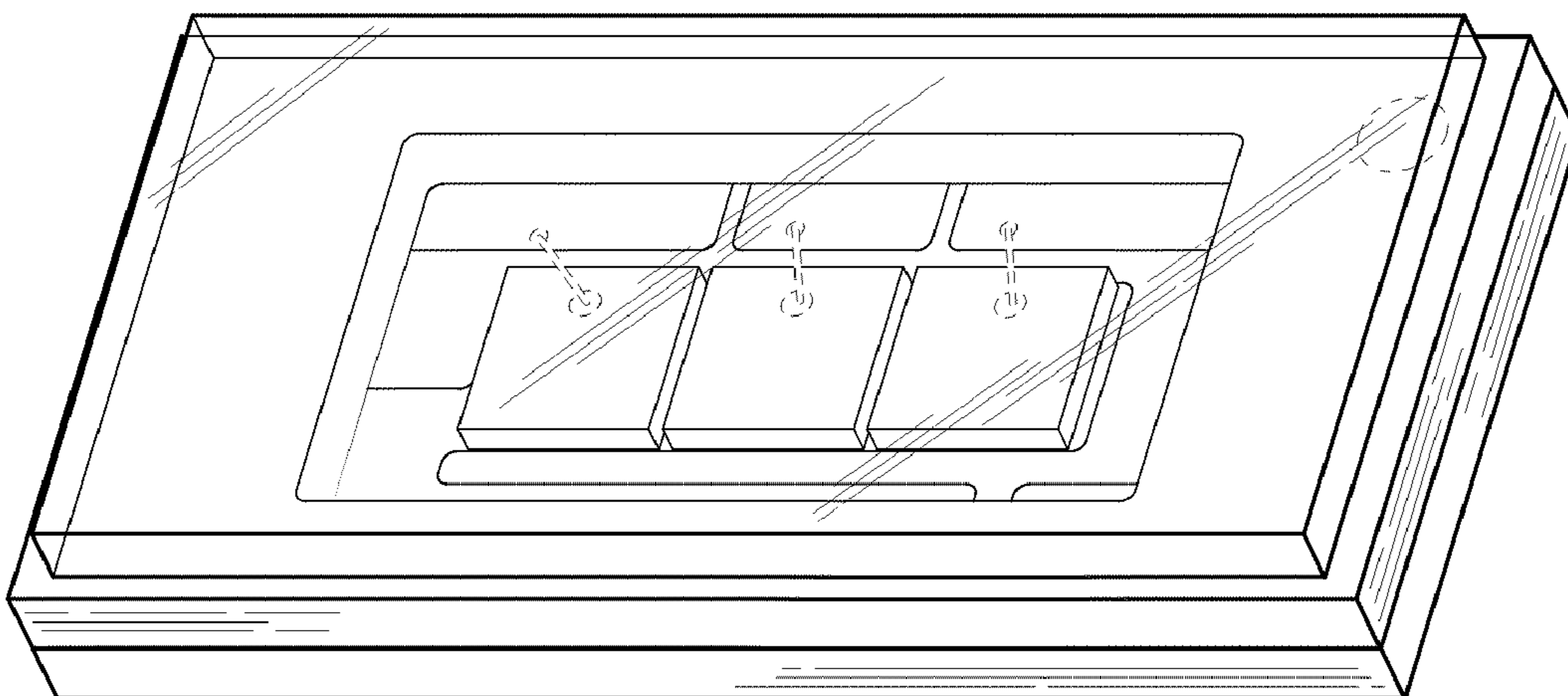


FIG. 1

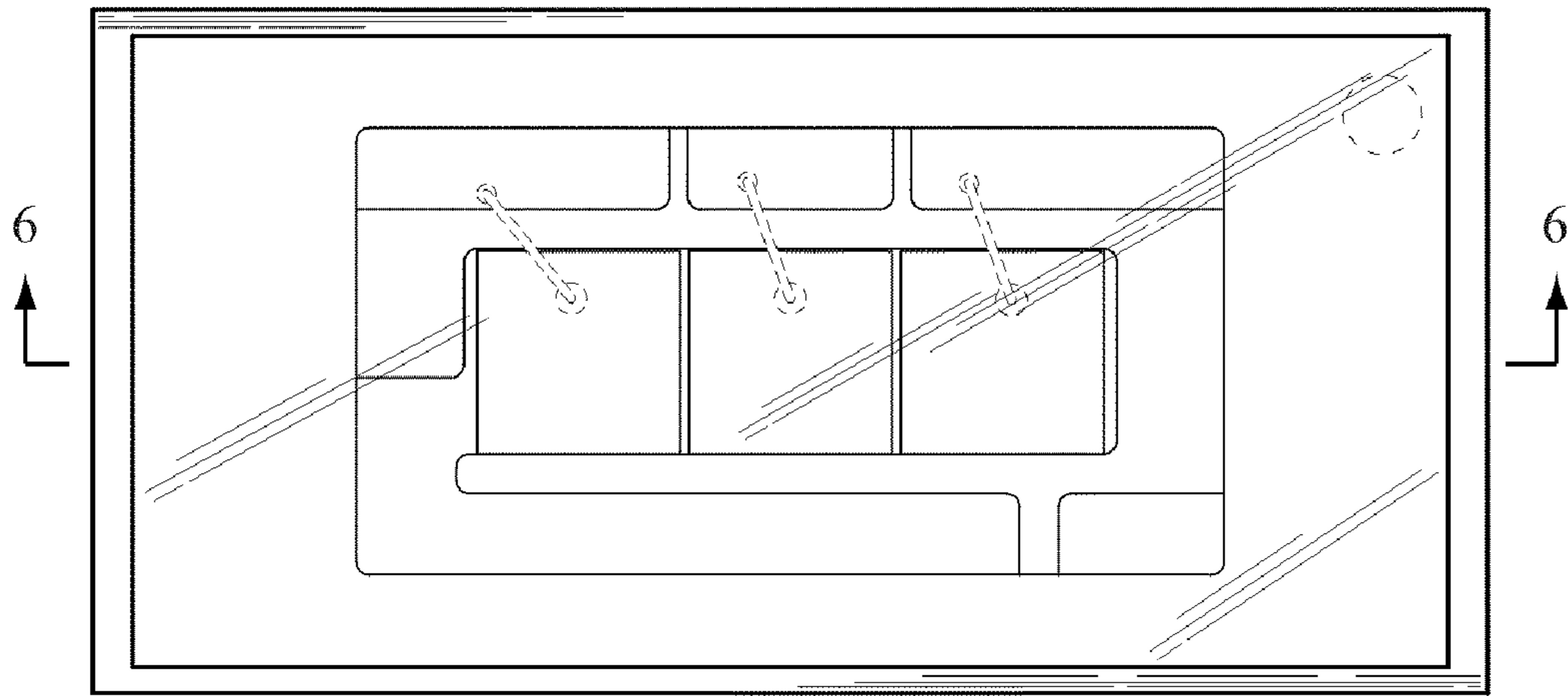


FIG. 2

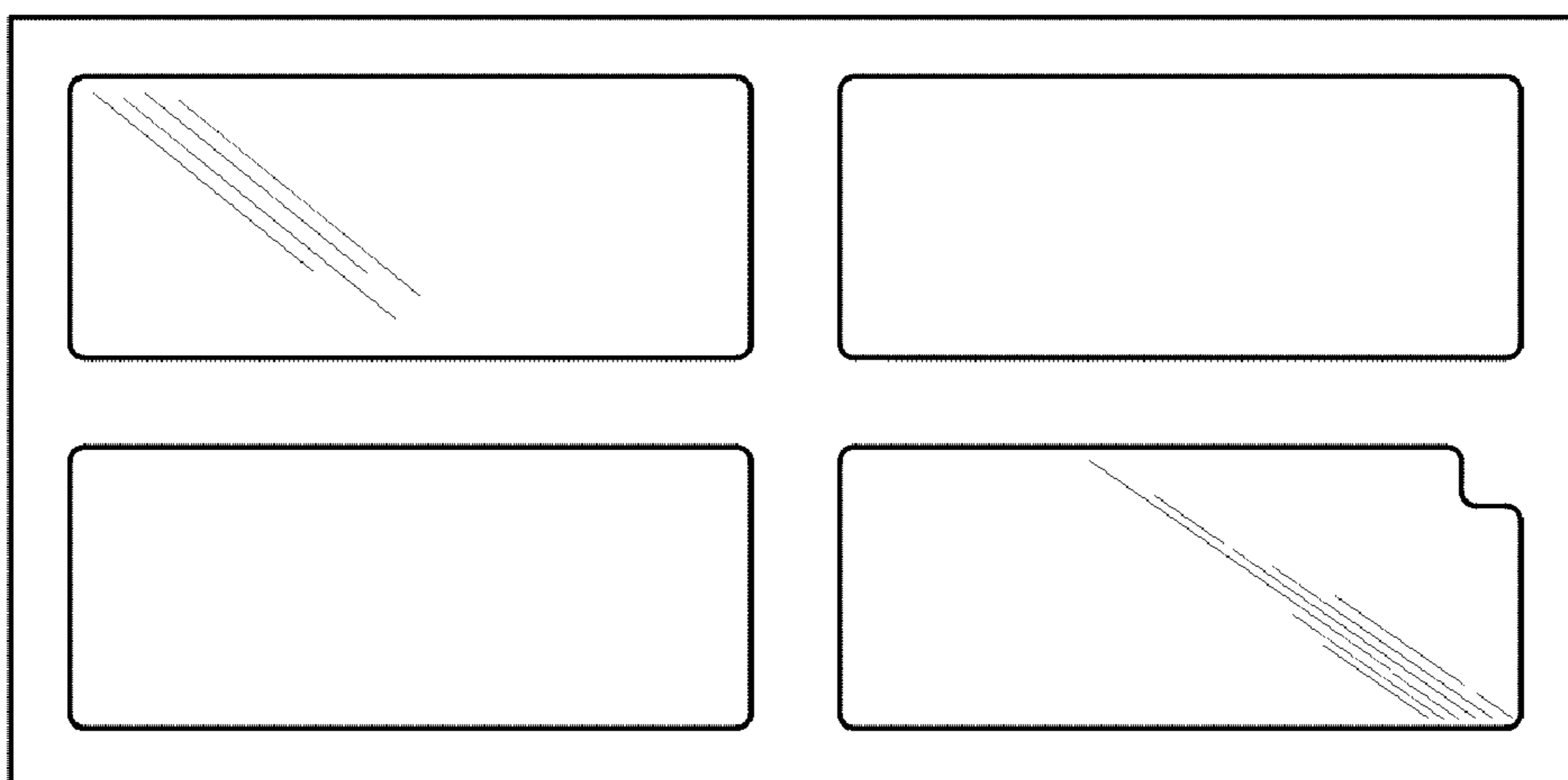


FIG. 3

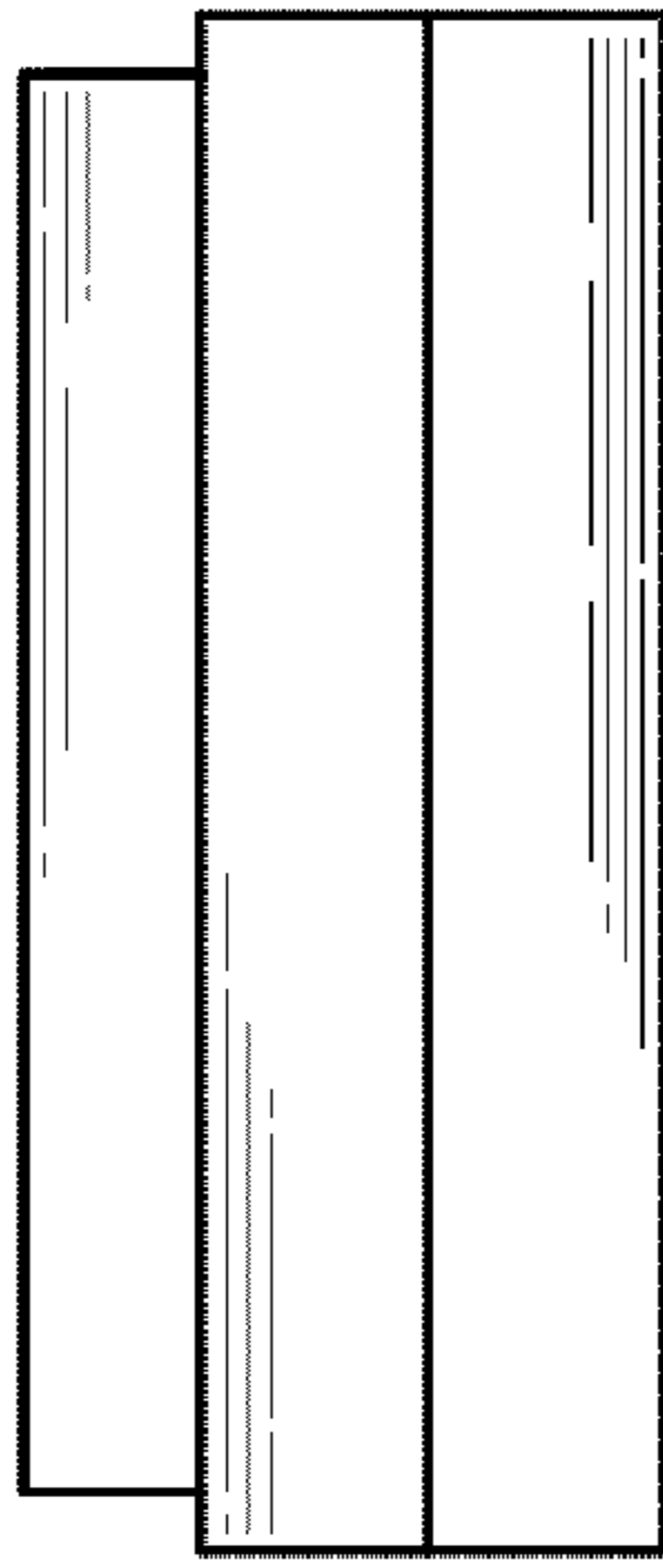


FIG. 4

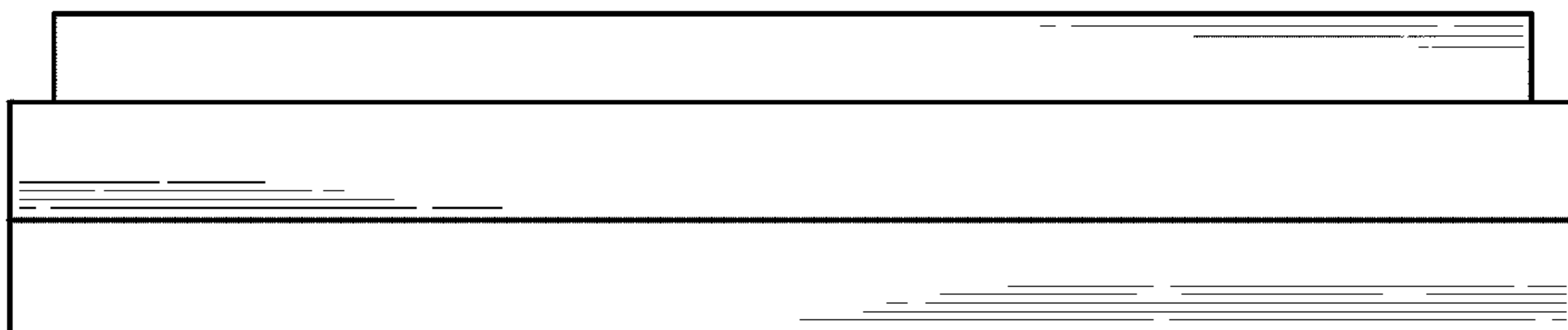


FIG. 5

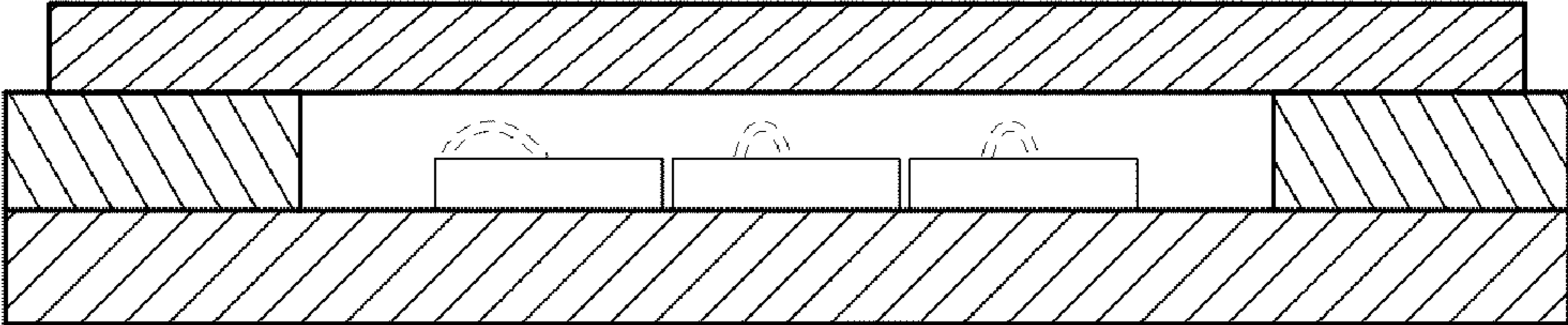


FIG.6