



US00D647490S

(12) **United States Design Patent**
Clymer et al.

(10) **Patent No.:** **US D647,490 S**
(45) **Date of Patent:** **** Oct. 25, 2011**

(54) **BUTTONS FOR A WINDOW BLIND CONTROL**

(75) Inventors: **Erica L. Clymer**, Nazareth, PA (US);
Matthew R. Hontz, Allentown, PA (US);
MacKenzie Mor, Bethlehem, PA (US);
Gregory Altonen, Easton, PA (US);
Elliot G. Jacoby, Glenside, PA (US);
Jason C. Killo, Emmaus, PA (US)

(73) Assignee: **Lutron Electronics Co., Inc.**,
Coopersburg, PA (US)

(**) Term: **14 Years**

(21) Appl. No.: **29/375,126**

(22) Filed: **Sep. 17, 2010**

(51) **LOC (9) Cl.** **13-03**

(52) **U.S. Cl.** **D13/174**

(58) **Field of Classification Search** D13/162,
D13/164, 171, 174; 200/518, 520, 530, 302.2,
200/314, 317, 341; 160/1, 120, 123, 310;
318/466, 600

See application file for complete search history.

(56) **References Cited**

U.S. PATENT DOCUMENTS

5,467,266	A *	11/1995	Jacobs et al.	700/56
D436,930	S	1/2001	Butler	
D453,742	S	2/2002	Butler et al.	
6,365,855	B1 *	4/2002	Sutter et al.	200/314
D461,782	S	8/2002	Butler et al.	
D475,025	S *	5/2003	Bennett et al.	D13/164
D490,780	S	6/2004	Mayo et al.	
D515,512	S	2/2006	Butler et al.	
D516,041	S *	2/2006	Hobart et al.	D13/164
D518,001	S *	3/2006	Chen	D13/174
D524,256	S *	7/2006	Chen	D13/174
D526,282	S *	8/2006	Chen	D13/174
7,129,662	B2 *	10/2006	D'ayot	318/468
D531,587	S	11/2006	Poulet	
7,315,146	B2	1/2008	Bejean	

D580,374	S *	11/2008	Hewson et al.	D13/173
D587,215	S *	2/2009	Ohlert et al.	D13/174
7,525,277	B2	4/2009	Bejean et al.	
D596,588	S *	7/2009	Ohlert et al.	D13/174
7,723,939	B2 *	5/2010	Carmen, Jr.	318/466
7,888,614	B2 *	2/2011	Pippel et al.	200/314
7,931,068	B2 *	4/2011	Carmen et al.	160/120
2004/0182685	A1 *	9/2004	Tsunemoto	200/5 R
2005/0189205	A1 *	9/2005	Fujii et al.	200/314
2006/0016676	A1 *	1/2006	Jung	200/314

OTHER PUBLICATIONS

Somfy Systems, Inc., Tilt Wirefree Remote Control Brochure, Jun. 2008, 4 pages.

* cited by examiner

Primary Examiner — Selina Sikder

(74) *Attorney, Agent, or Firm* — Mark E. Rose; Philip N. Smith; Bridget L. McDonough

(57) **CLAIM**

We claim the ornamental design for buttons for a window blind control, as shown and described.

DESCRIPTION

FIG. 1 is a perspective view of buttons for a window blind control according to a first embodiment of our new design.

FIG. 2 is a front view thereof.

FIG. 3 is a left side view thereof.

FIG. 4 is a right side view thereof.

FIG. 5 is a top view thereof.

FIG. 6 is a bottom view thereof.

FIG. 7 is a perspective view of a button for a window blind control according to a second embodiment of our new design.

FIG. 8 is a front view thereof.

FIG. 9 is a left side view thereof.

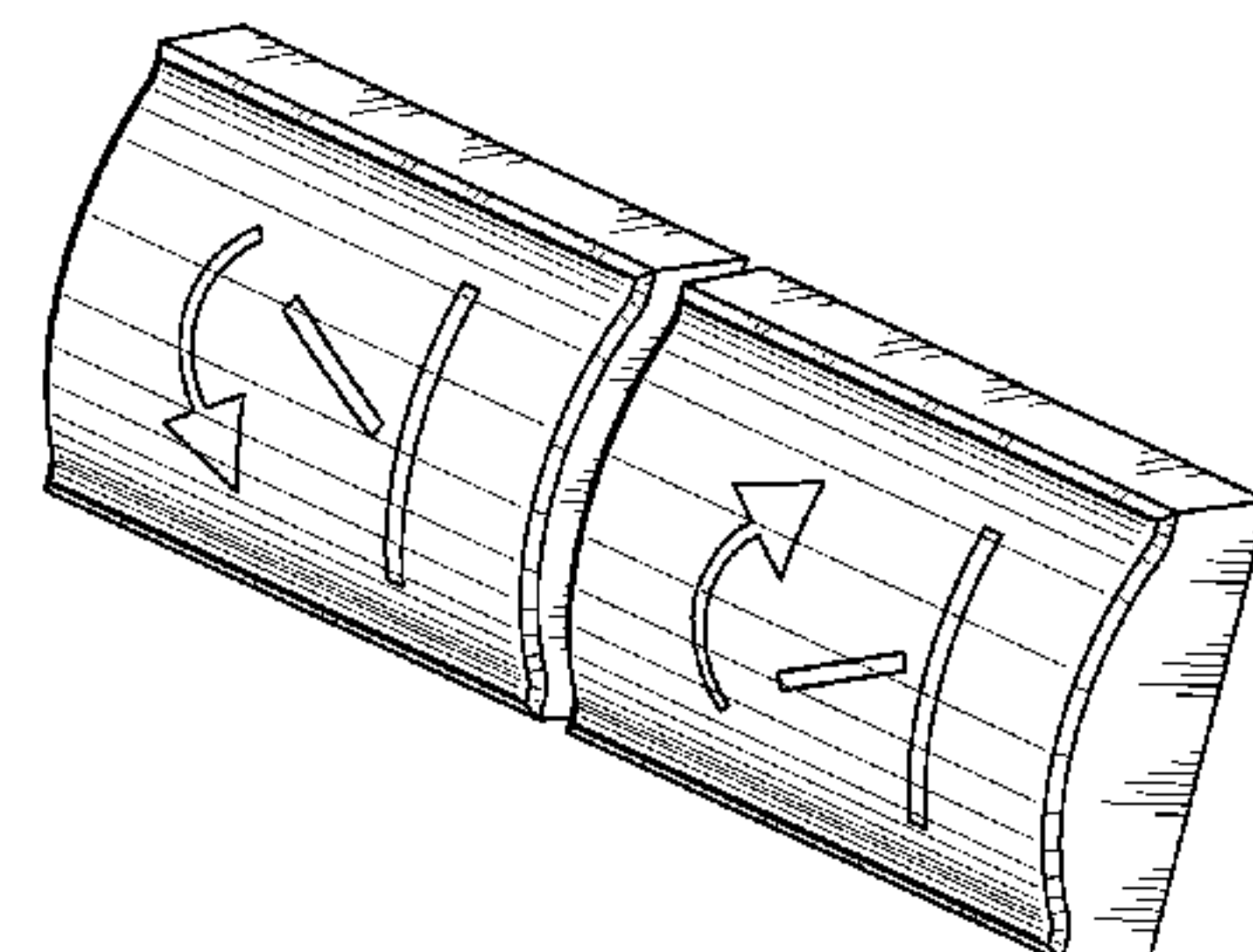
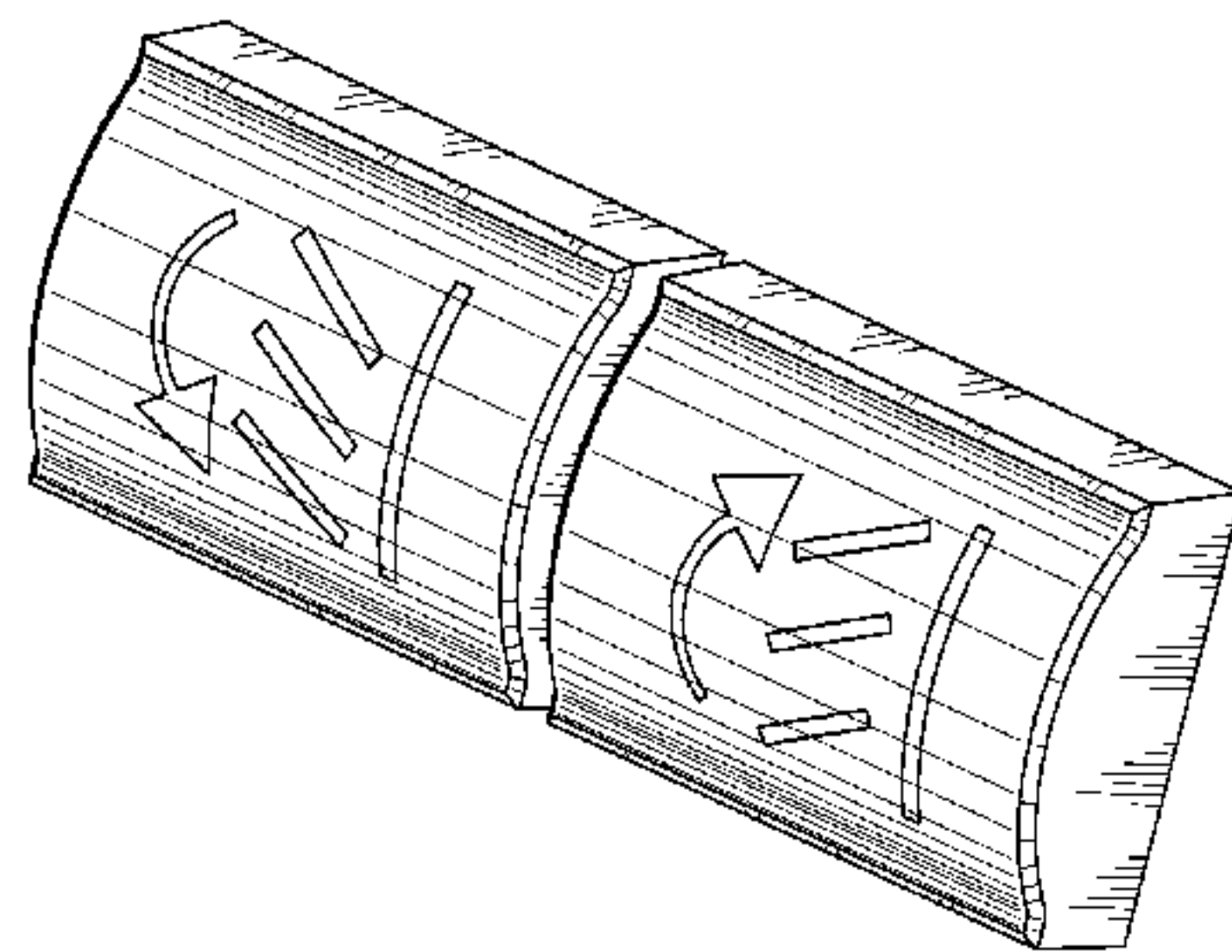
FIG. 10 is a right side view thereof.

FIG. 11 is a top view thereof; and,

FIG. 12 is a bottom view thereof.

The rear views form no part of the design and are omitted.

1 Claim, 6 Drawing Sheets



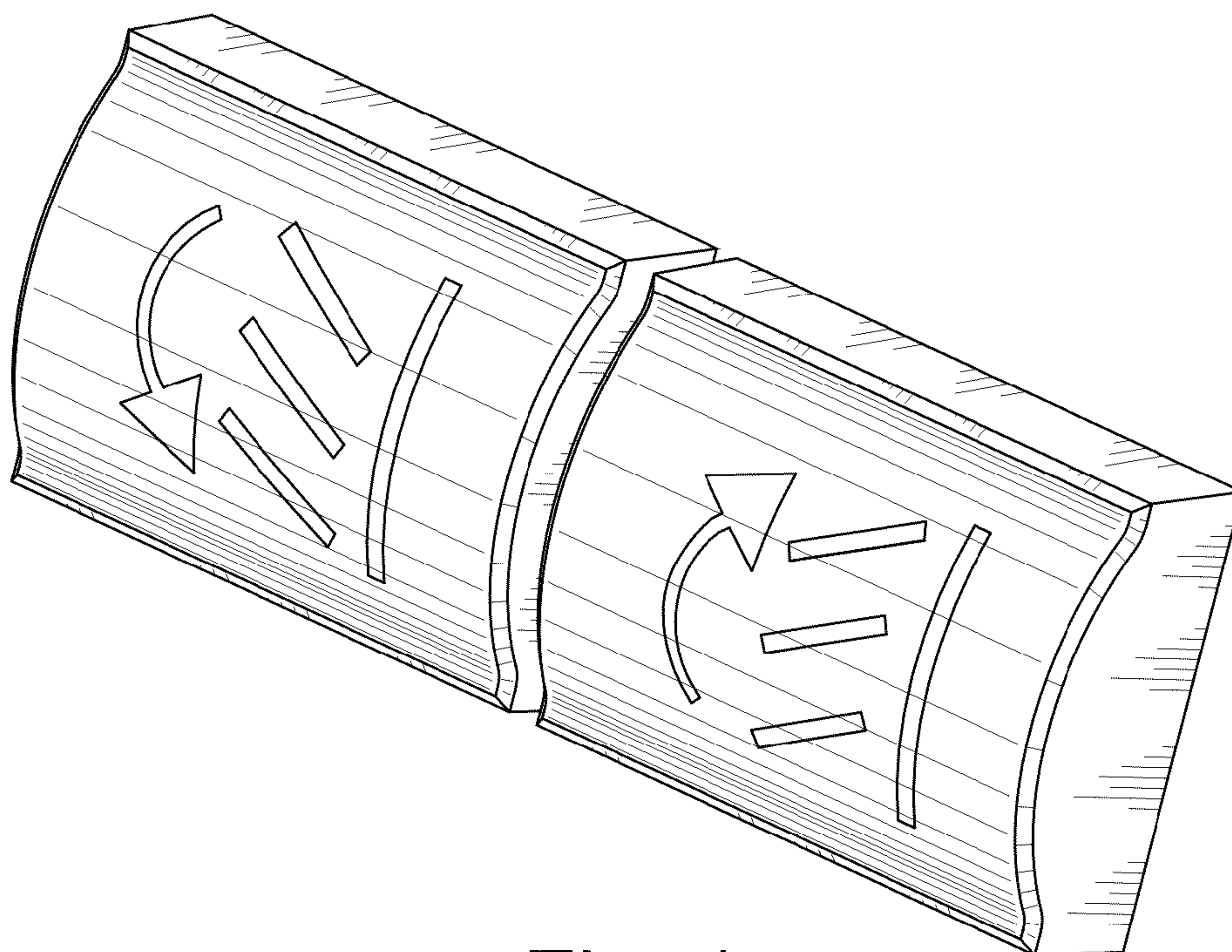


Fig. 1

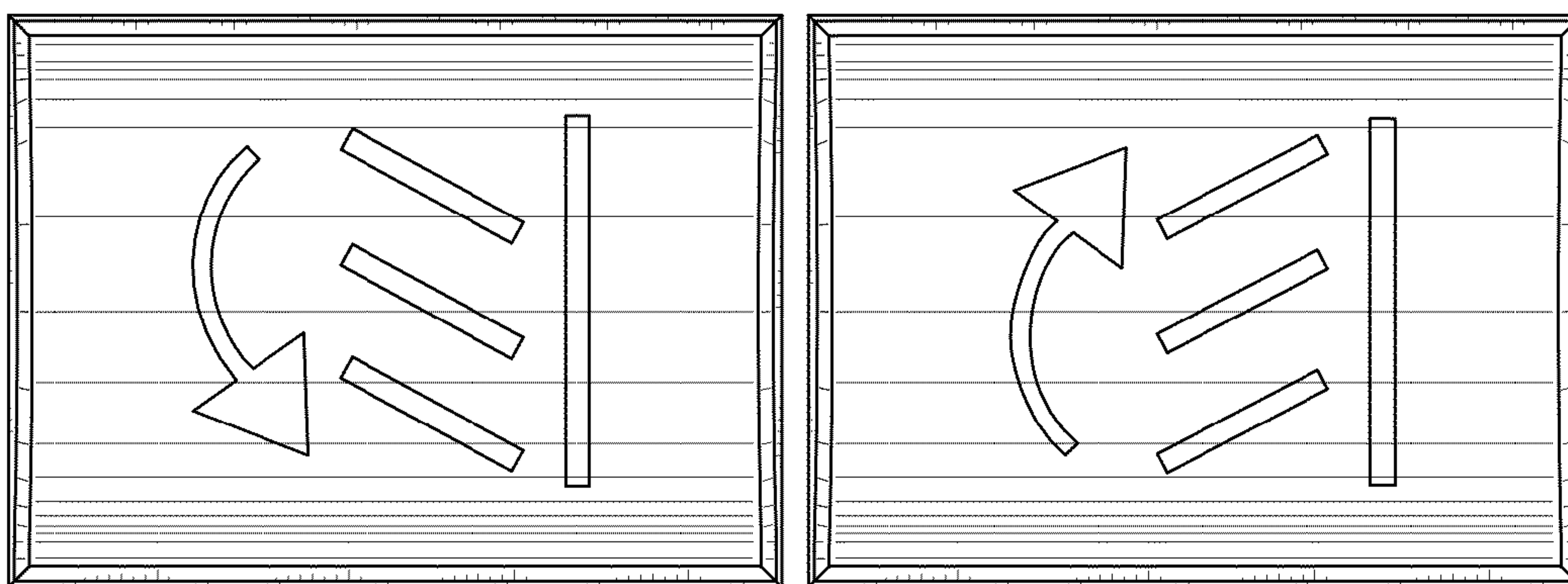


Fig. 2

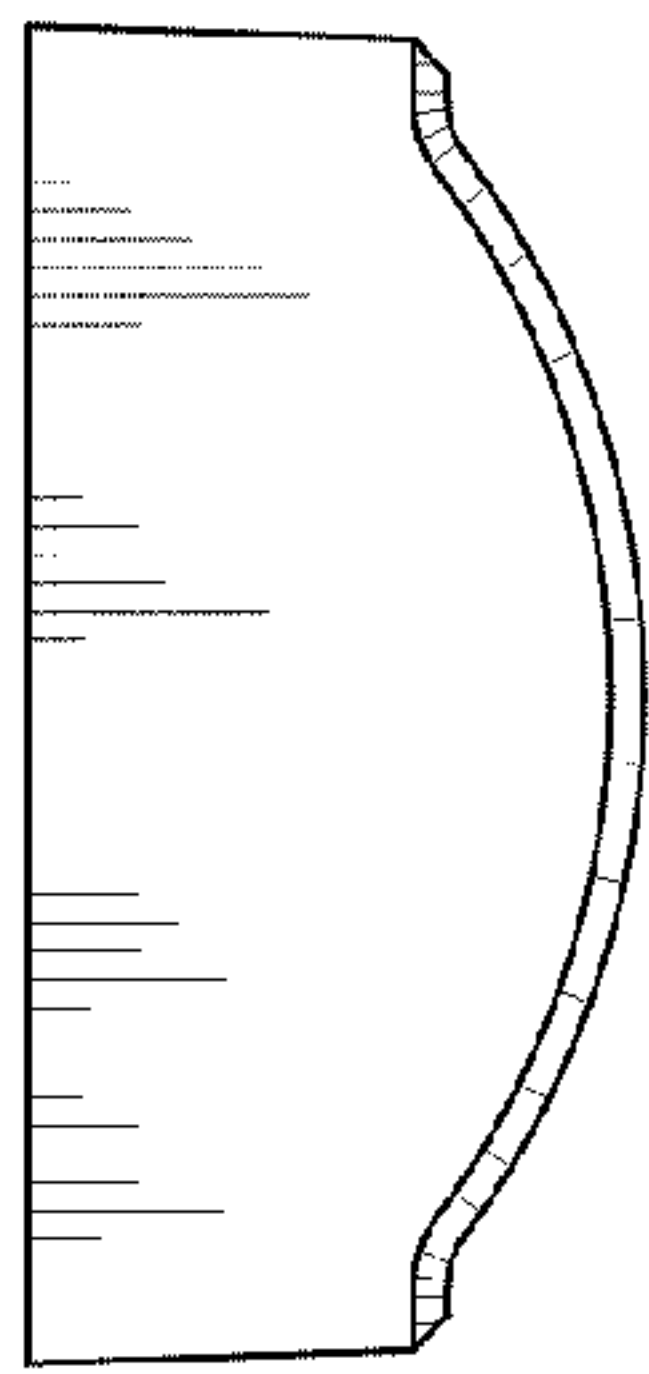


Fig. 3

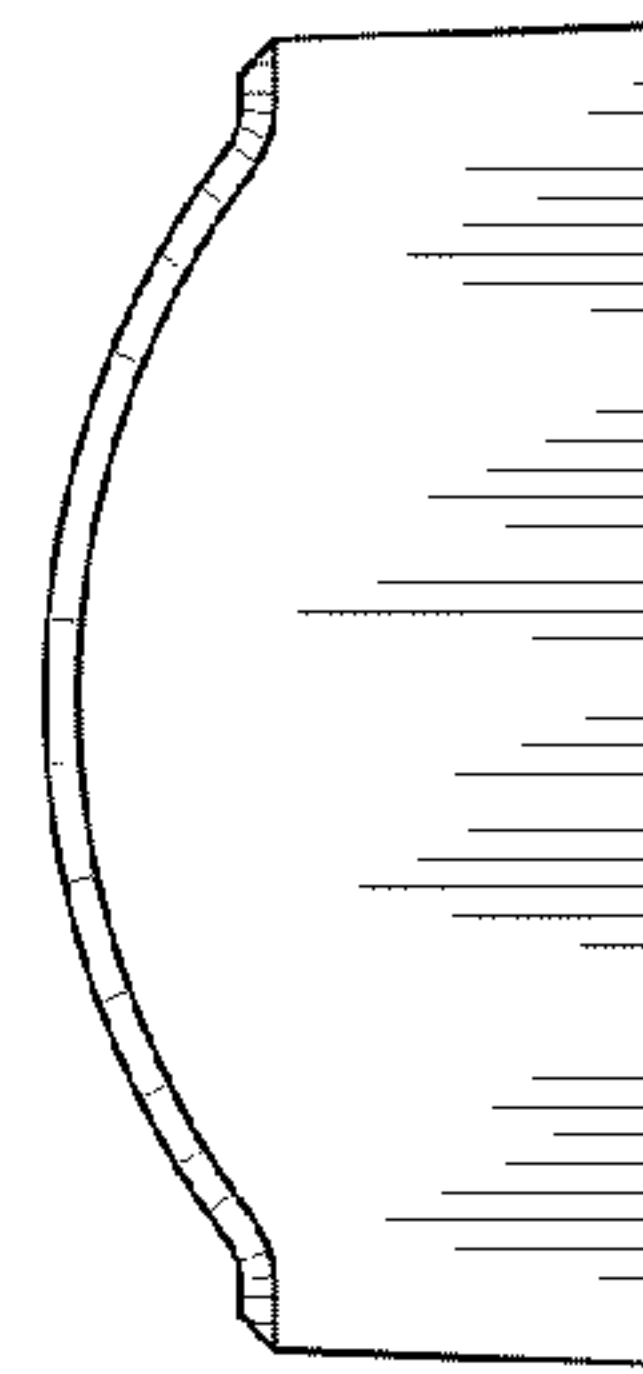


Fig. 4

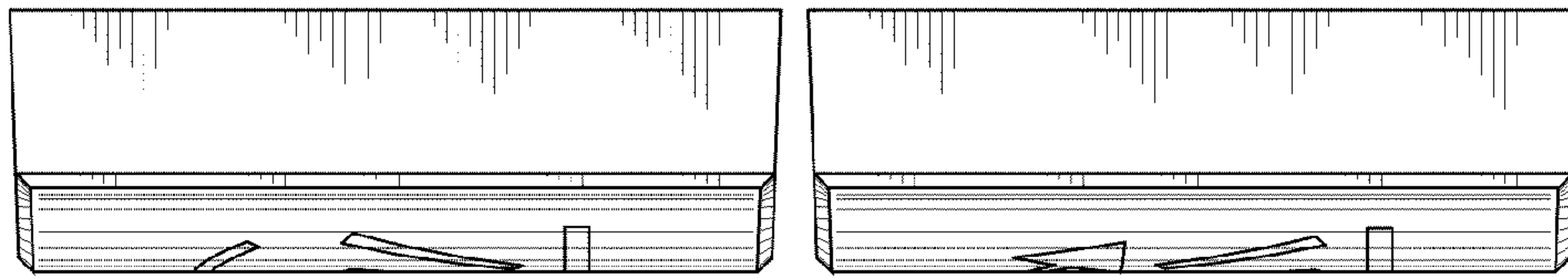


Fig. 5

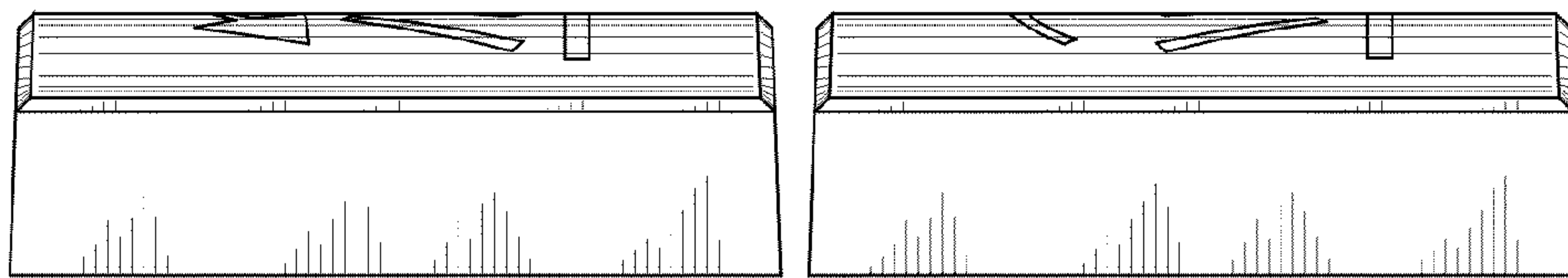


Fig. 6

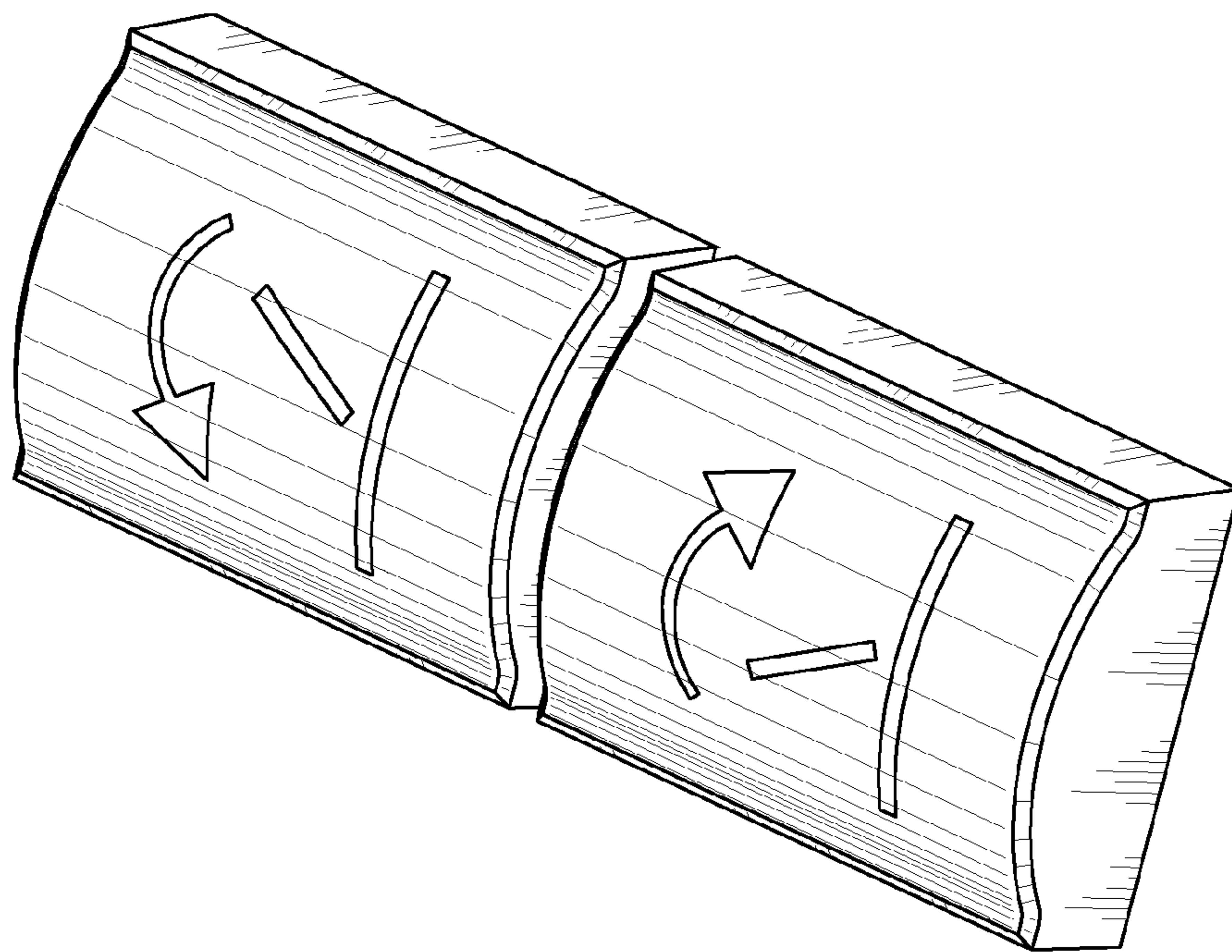


Fig. 7

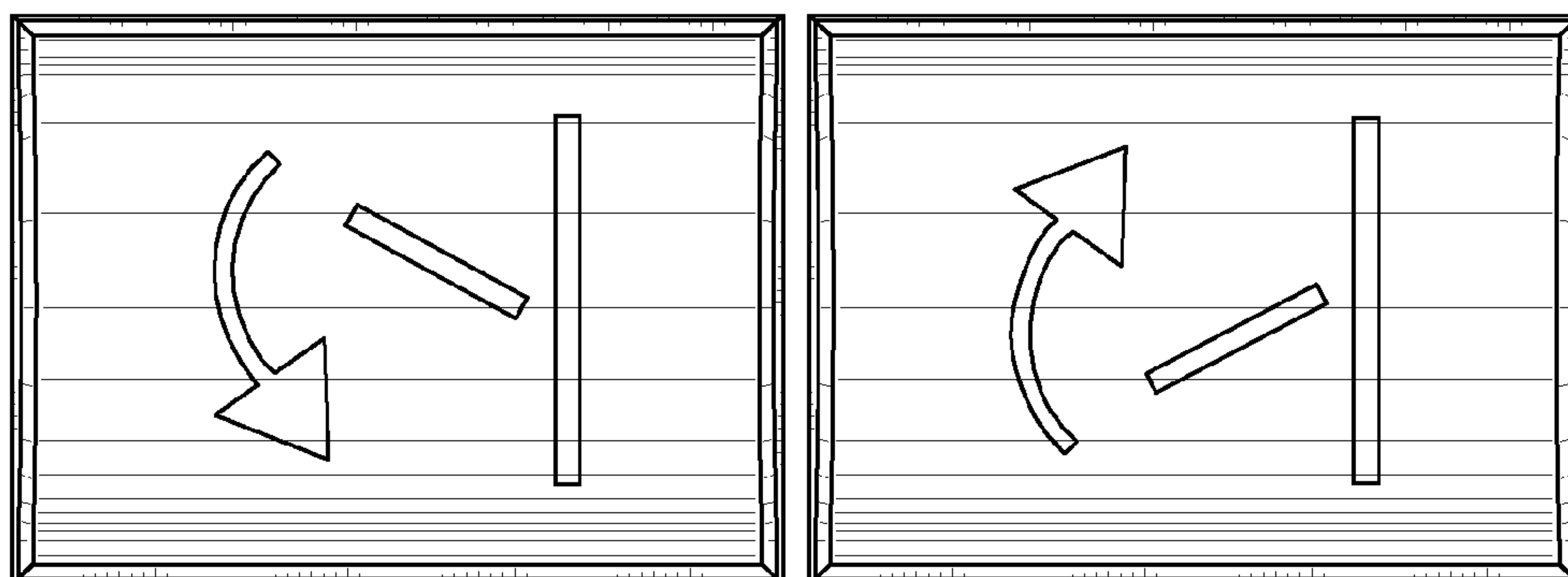


Fig. 8

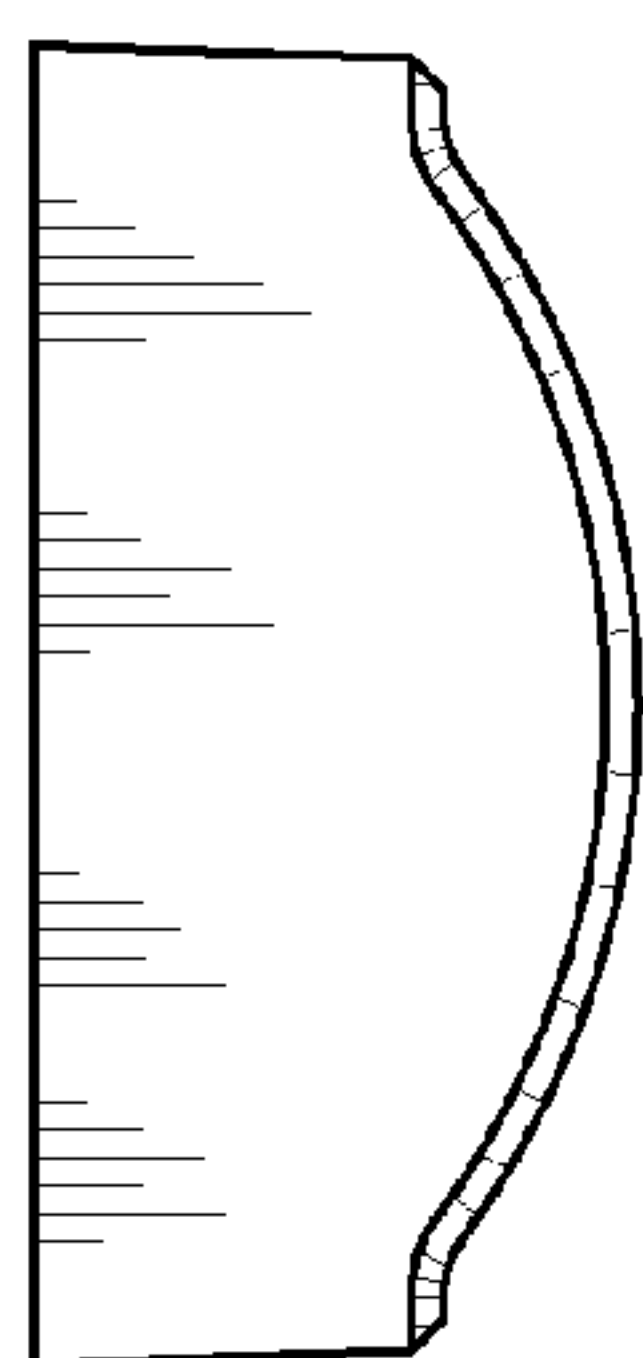


Fig. 9

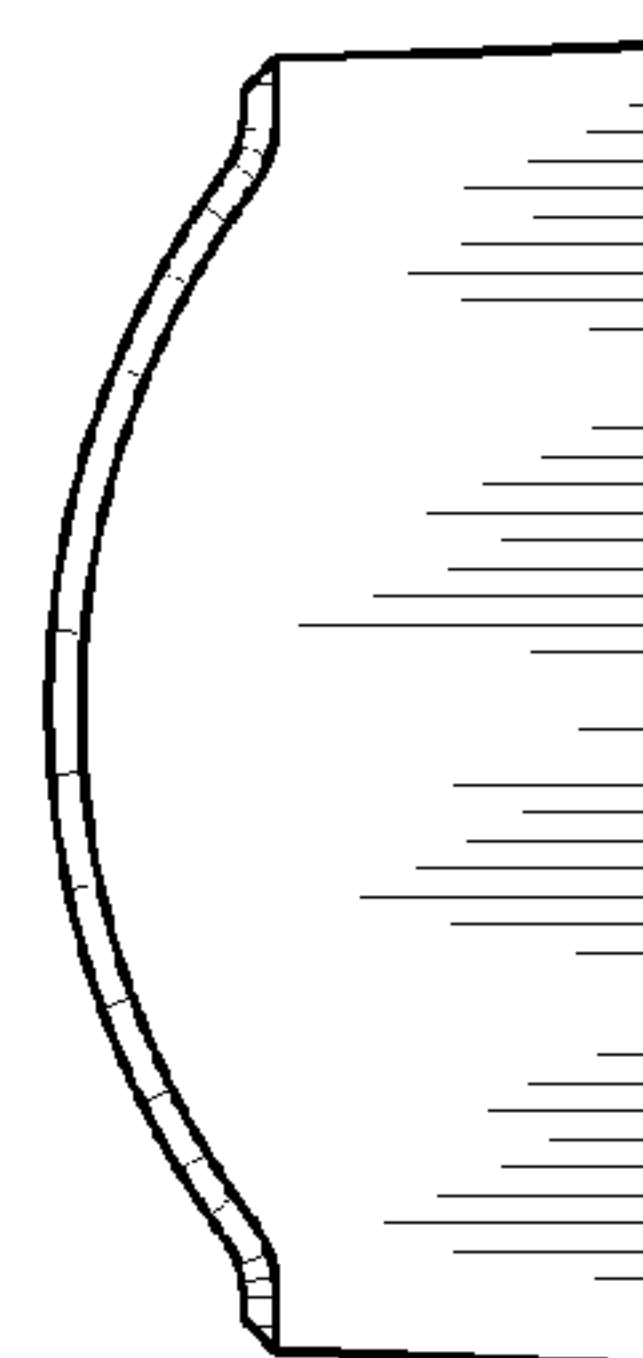


Fig. 10

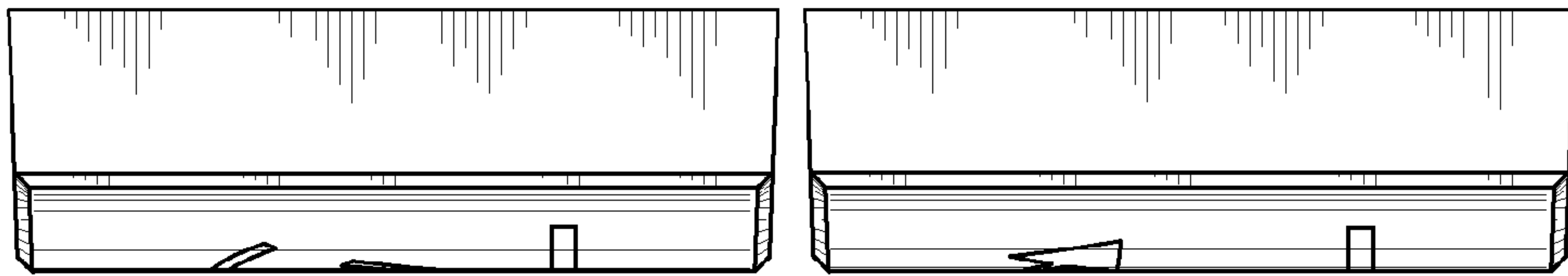


Fig. 11

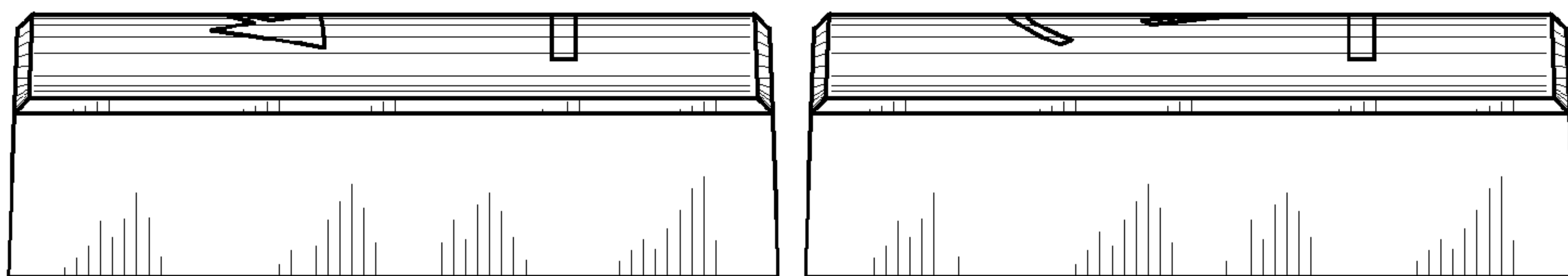


Fig. 12