



US00D647488S

(12) **United States Design Patent**
DeCosta

(10) **Patent No.:** **US D647,488 S**

(45) **Date of Patent:** **** Oct. 25, 2011**

(54) **DECOR RECEPTACLE**

(76) Inventor: **Thomas J. DeCosta**, Westport, MA (US)

(**) Term: **14 Years**

(21) Appl. No.: **29/313,059**

(22) Filed: **Dec. 3, 2008**

(51) **LOC (9) Cl.** **13-03**

(52) **U.S. Cl.** **D13/152**

(58) **Field of Classification Search** D13/139.4,
D13/152, 154, 156, 158, 160, 162-164, 173,
D13/184, 199; 174/50, 53-55, 58, 60, 66,
174/67; 220/3.2, 3.3, 3.7-3.9, 241, 242,
220/244, 315; 439/135, 136, 138, 142, 367,
439/373, 535, 536, 537, 541, 892, 893
See application file for complete search history.

(56) **References Cited**

U.S. PATENT DOCUMENTS

D295,168	S	*	4/1988	Pisciotta	D13/156
D466,085	S	*	11/2002	Heggen	D13/152
D478,872	S	*	8/2003	Heggen	D13/152
6,861,585	B1	*	3/2005	Kiely	174/50
D523,818	S	*	6/2006	Roesch et al.	D13/152
D533,139	S	*	12/2006	Roesch et al.	D13/152
D535,949	S	*	1/2007	Kiely	D13/152
D538,752	S	*	3/2007	Kiely	D13/152
7,501,575	B2	*	3/2009	Jolly	174/50

D595,659	S	*	7/2009	Maurer et al.	D13/152
D598,392	S	*	8/2009	Vigorito et al.	D13/152
D619,098	S	*	7/2010	Mike	D13/152
2008/0011503	A1	*	1/2008	Dinh	174/53

* cited by examiner

Primary Examiner — Rosemary K Tarcza

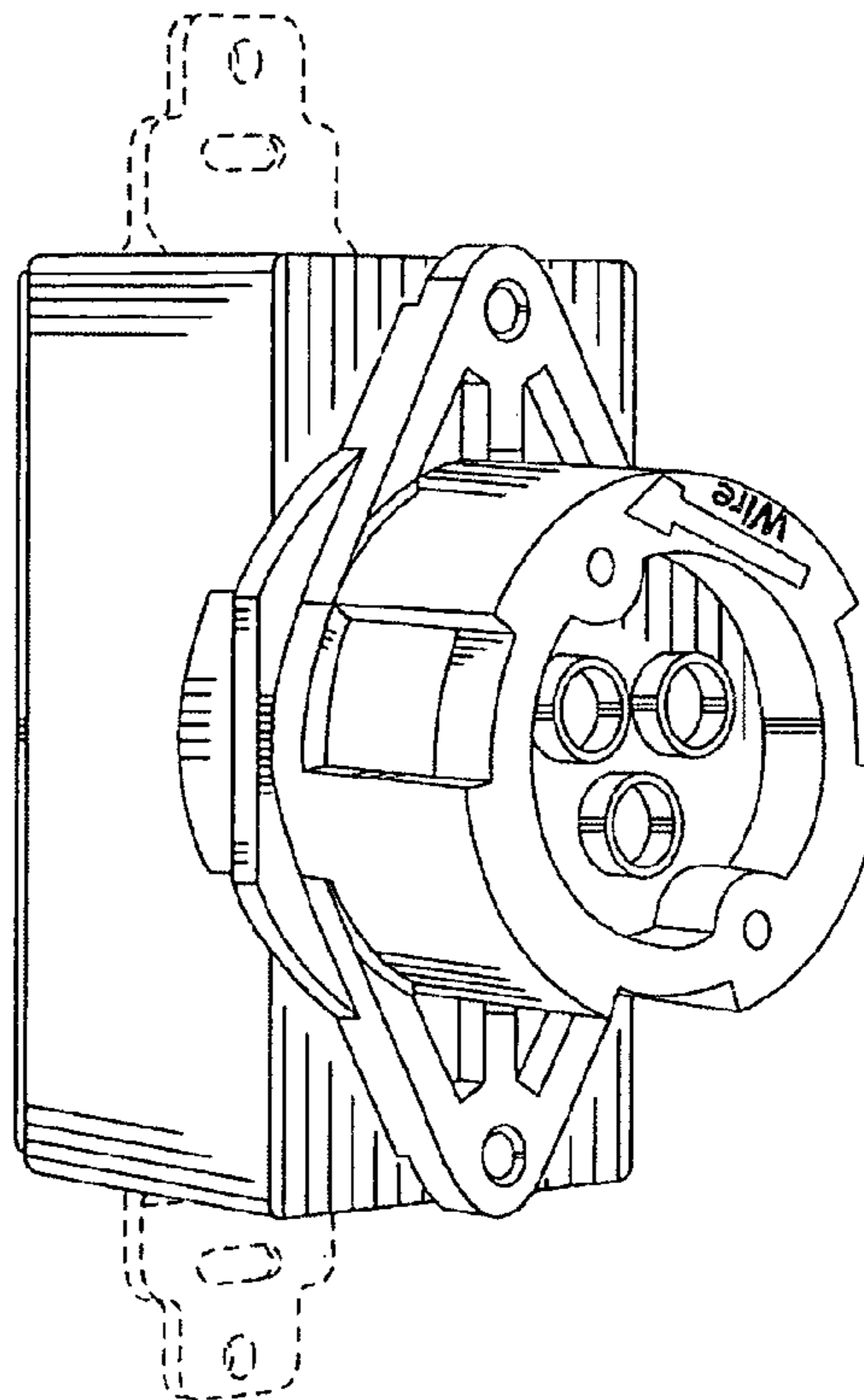
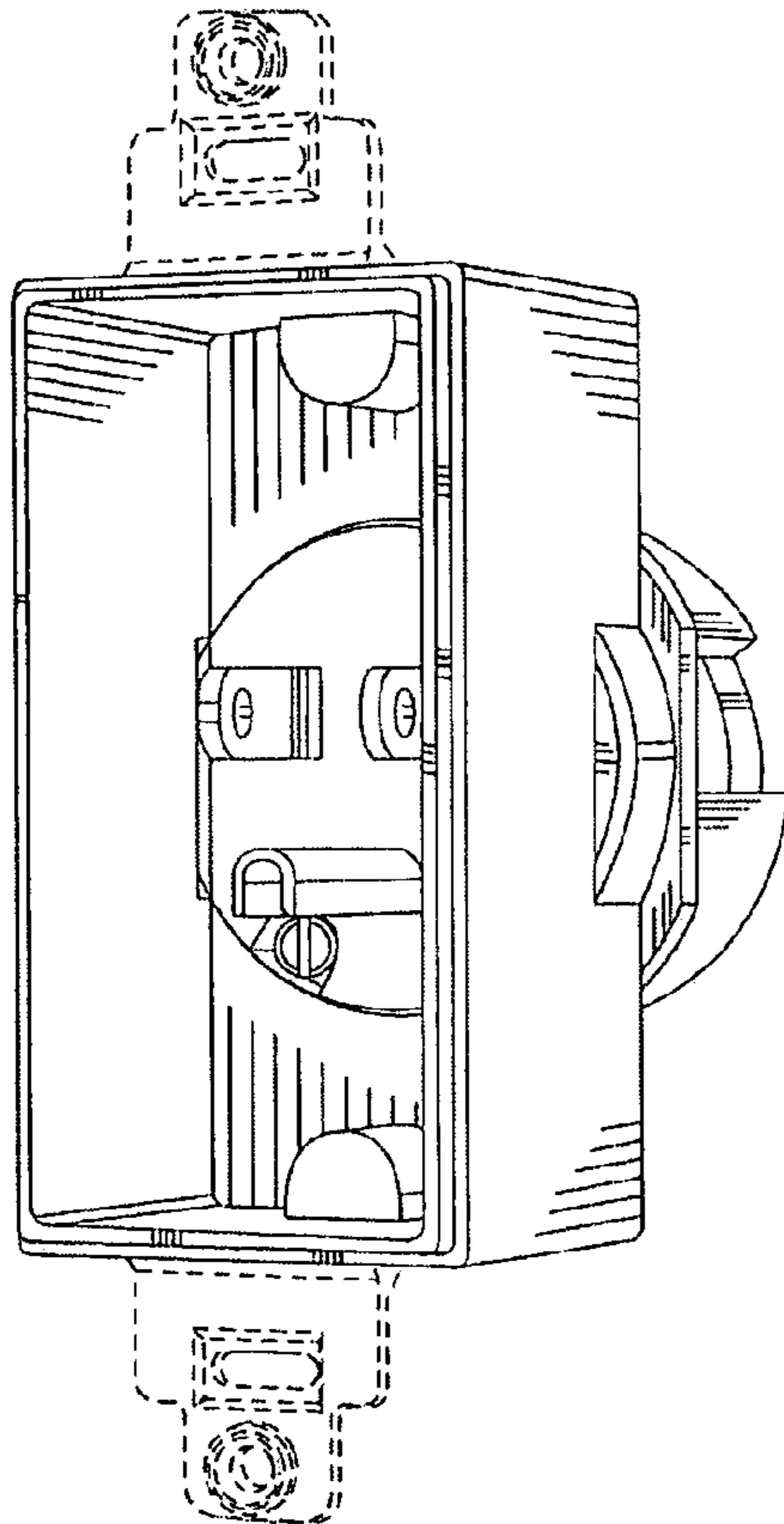
(57) **CLAIM**

The ornamental design for a decor receptacle, as shown and described.

DESCRIPTION

FIG. 1 is a top view of the decor receptacle employing our new design, with the tab portion shown in phantom;
 FIG. 2 is a front perspective view of FIG. 1;
 FIG. 3 is a right side view of FIG. 1, the right side and left side view being identical;
 FIG. 4 is a bottom side view of FIG. 1;
 FIG. 5 is a bottom perspective view of FIG. 1;
 FIG. 6 is an end perspective view of FIG. 1;
 FIG. 7 is a front perspective view of FIG. 1, incorporated in a wall plate, the wall plate shown in phantom; and,
 FIG. 8 is a bottom view of FIG. 7.
 The broken lines are for illustrative purposes and form no part of the claimed invention.

1 Claim, 8 Drawing Sheets



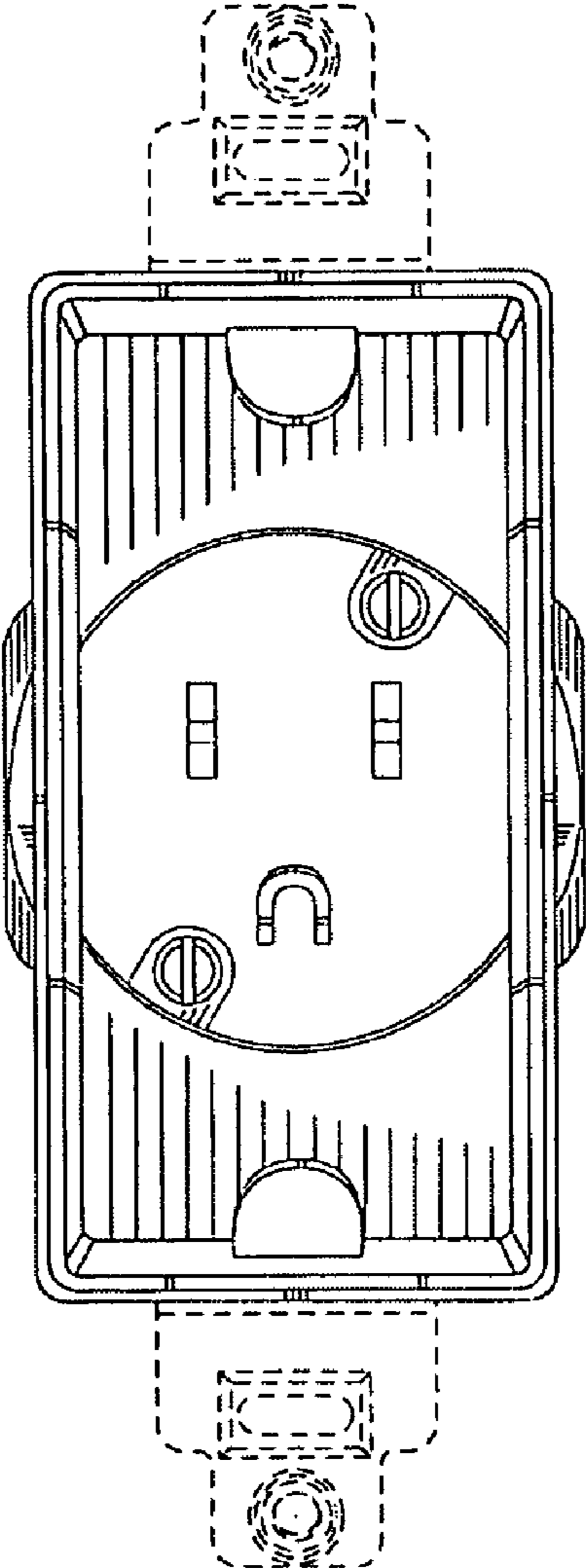


Figure 1

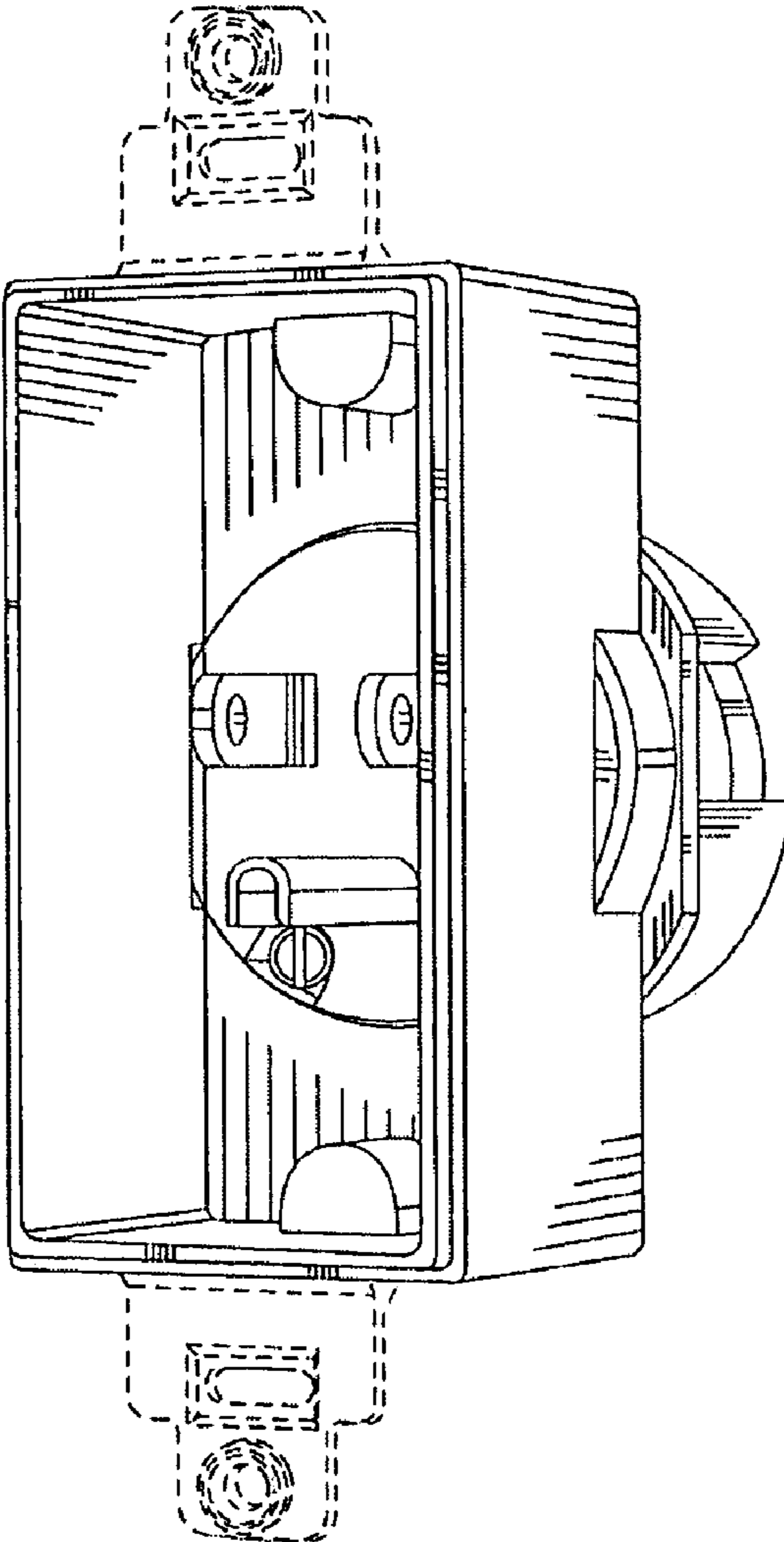


Figure 2

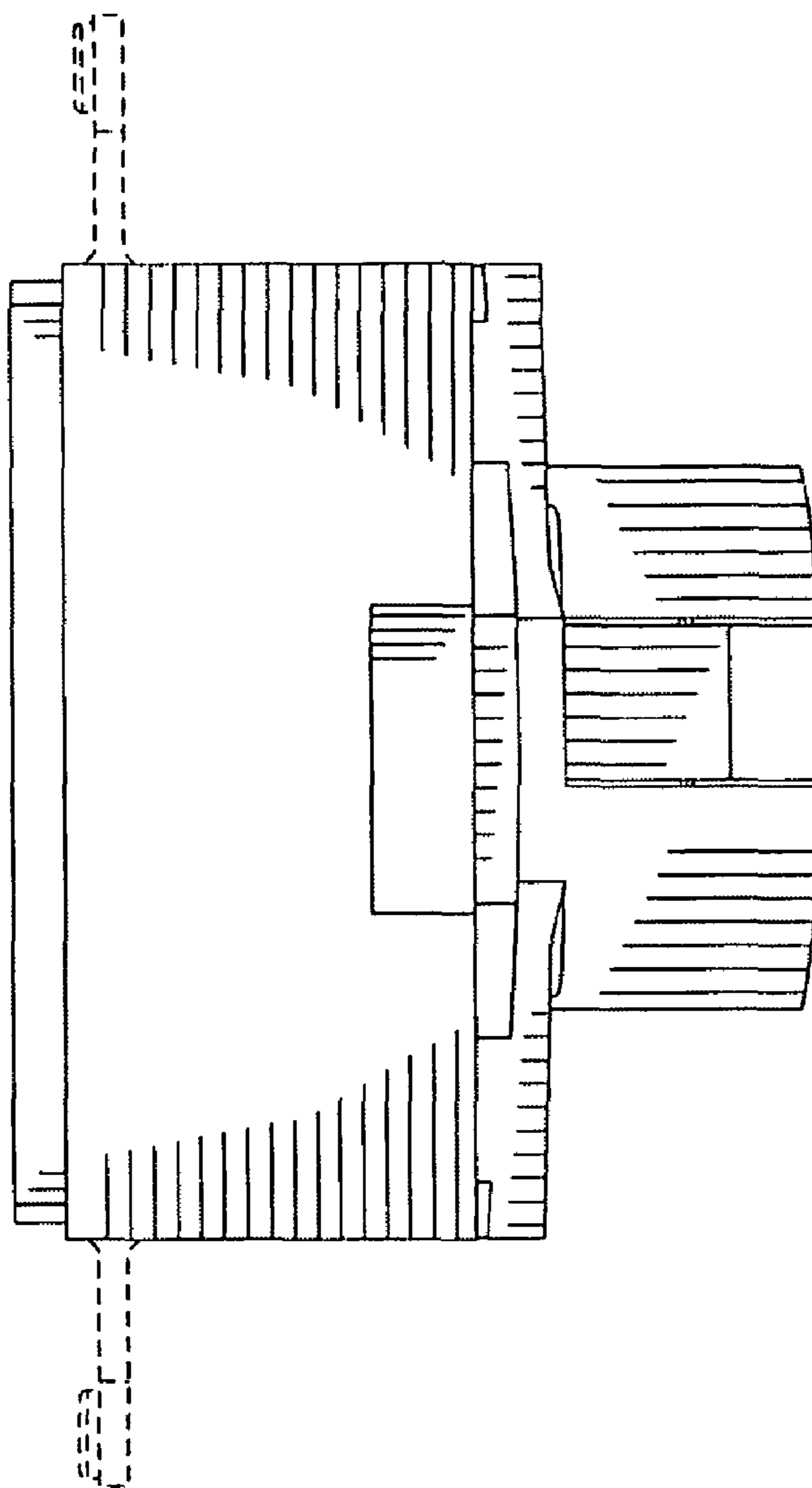


Figure 3

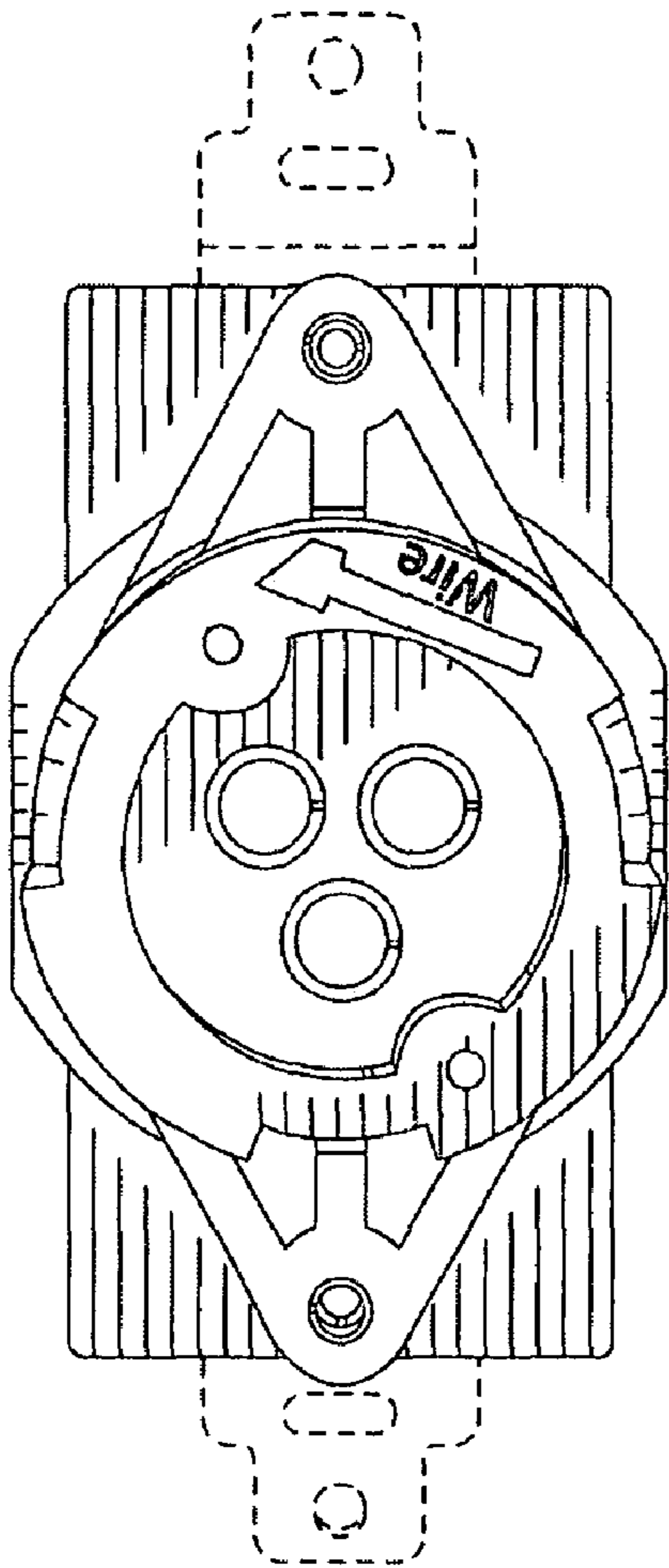


Figure 4

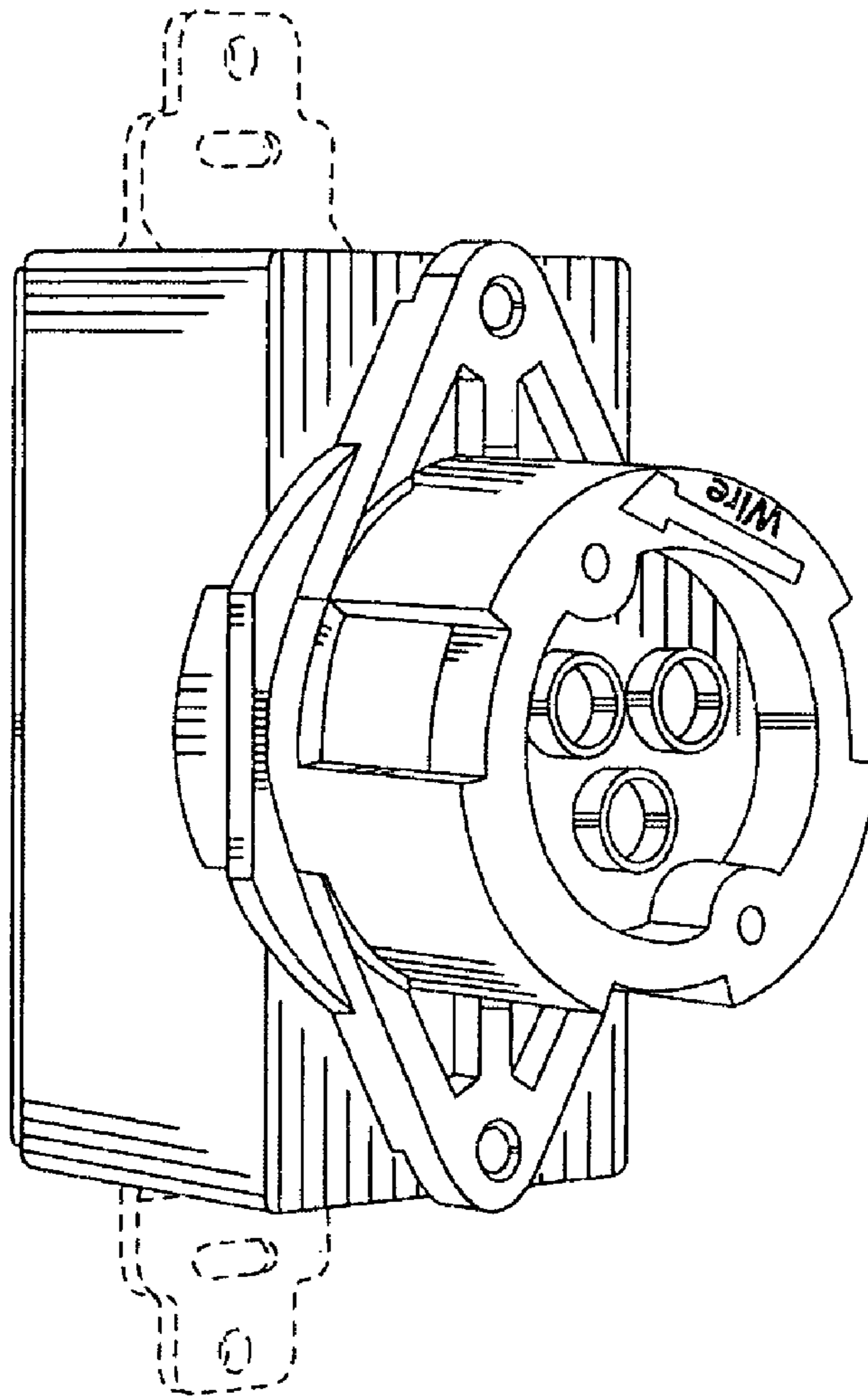


Figure 5

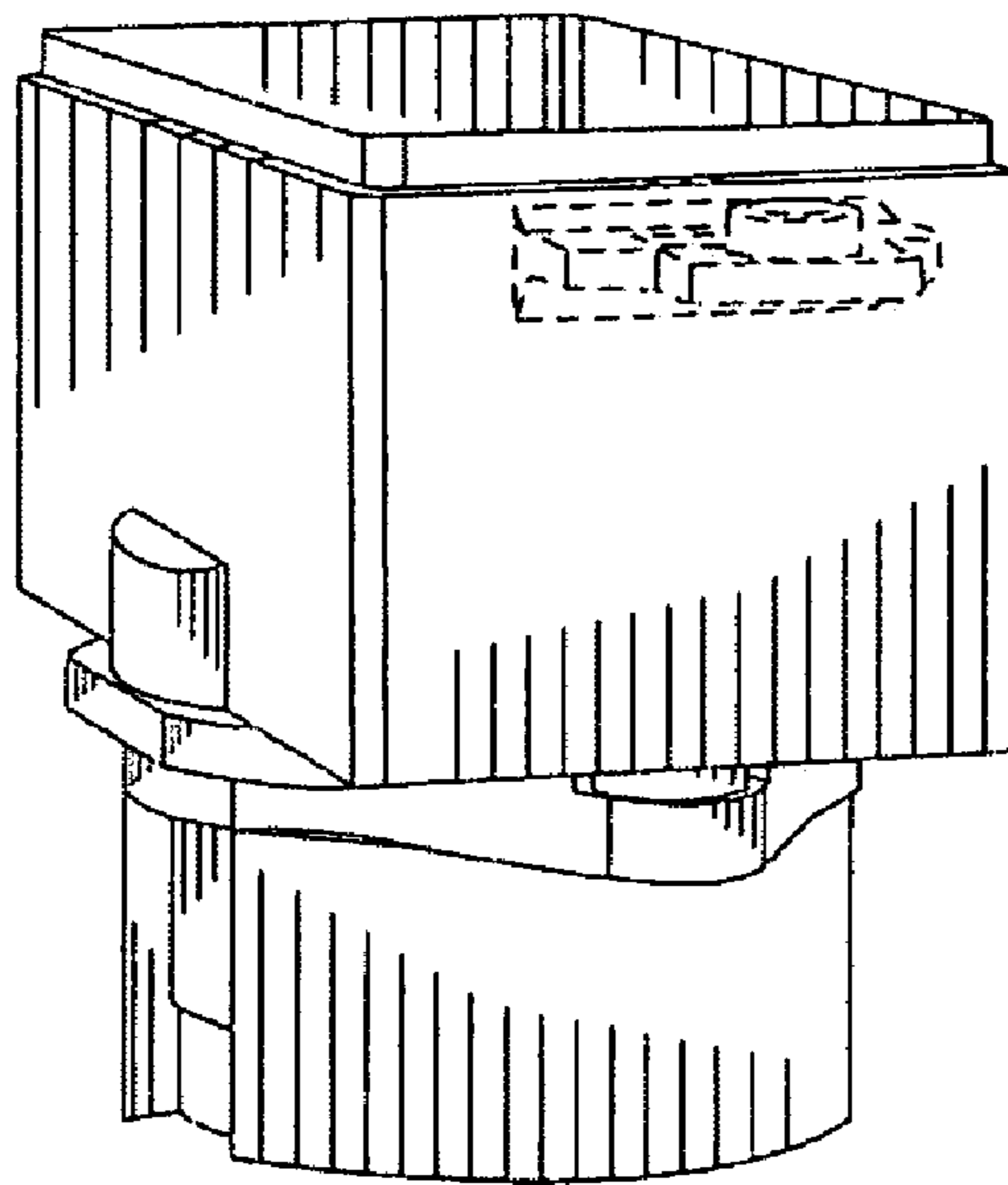


Figure 6

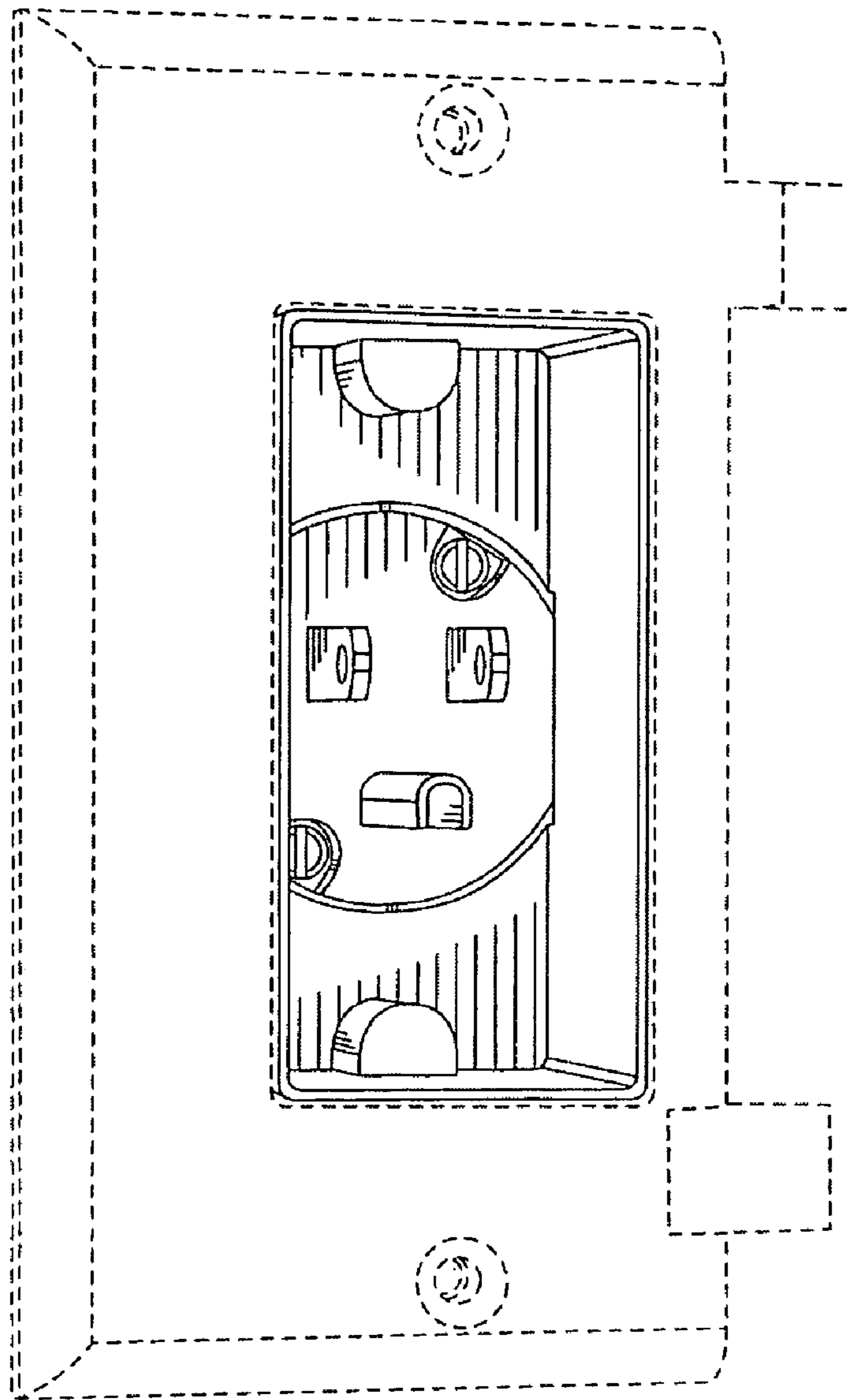


Figure 7

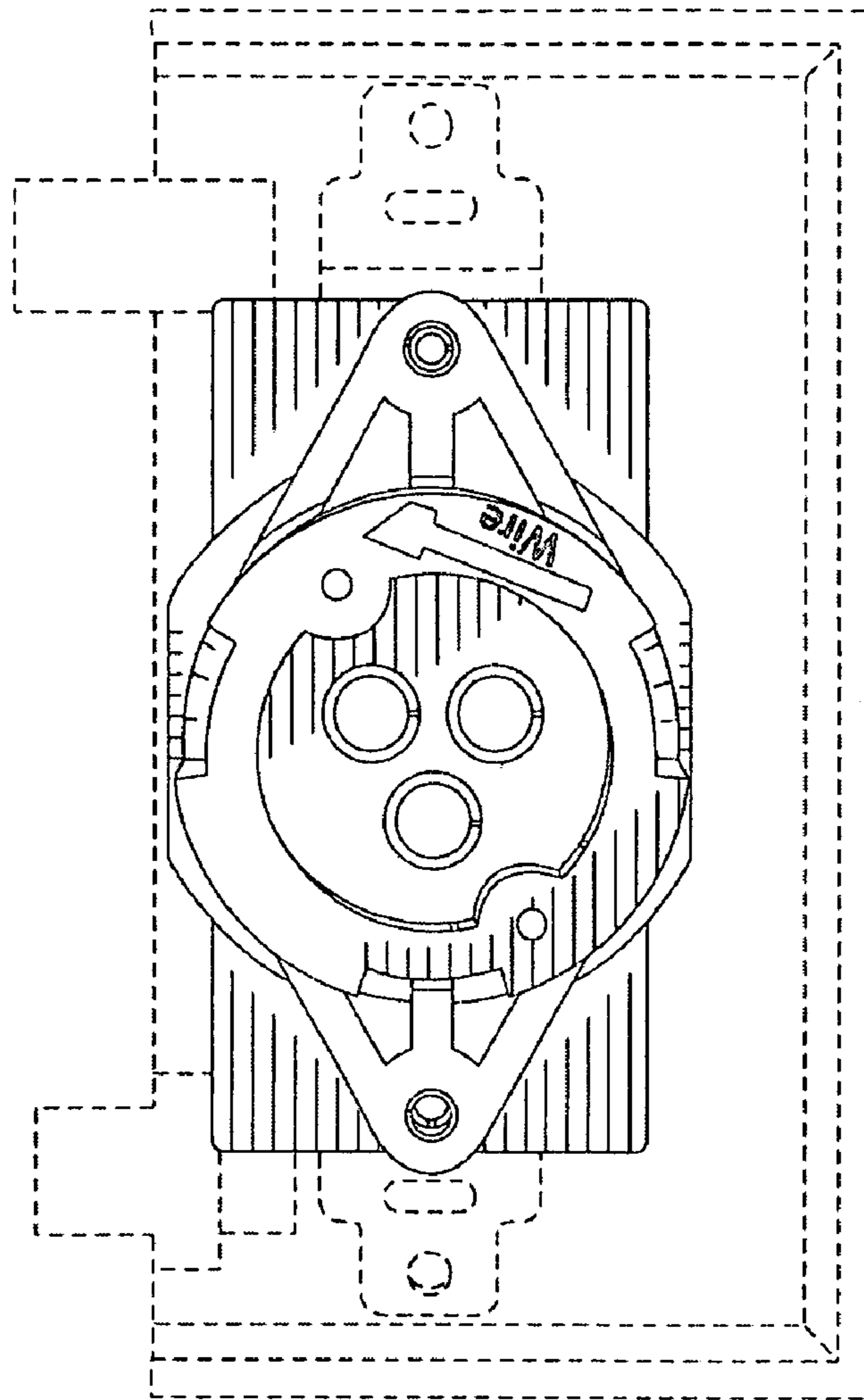


Figure 8