



US00D647487S

(12) **United States Design Patent**
Zong

(10) **Patent No.:** **US D647,487 S**
(45) **Date of Patent:** **** Oct. 25, 2011**

(54) **CONNECTOR**

(75) Inventor: **Jun Zong**, Guang-Dong (CN)

(73) Assignee: **Cheng Uei Precision Industry Co., Ltd.**, Tu-Cheng, Taipei Hsien (TW)

(**) Term: **14 Years**

(21) Appl. No.: **29/381,890**

(22) Filed: **Dec. 23, 2010**

(51) **LOC (9) Cl.** **13-03**

(52) **U.S. Cl.** **D13/147**

(58) **Field of Classification Search** D13/147,
D13/154, 184, 199; 439/79, 108, 350, 353,
439/357, 378, 489, 587, 595, 680, 752
See application file for complete search history.

(56) **References Cited**

U.S. PATENT DOCUMENTS

D519,459 S *	4/2006	Wang	D13/147
D521,938 S *	5/2006	Nishio et al.	D13/147
D524,748 S *	7/2006	Chiang et al.	D13/147
D556,690 S *	12/2007	Ikegami et al.	D13/147
D585,029 S *	1/2009	Ho	D13/147

* cited by examiner

Primary Examiner — Daniel Bui

(74) *Attorney, Agent, or Firm* — Cheng-Ju Chiang

(57) **CLAIM**

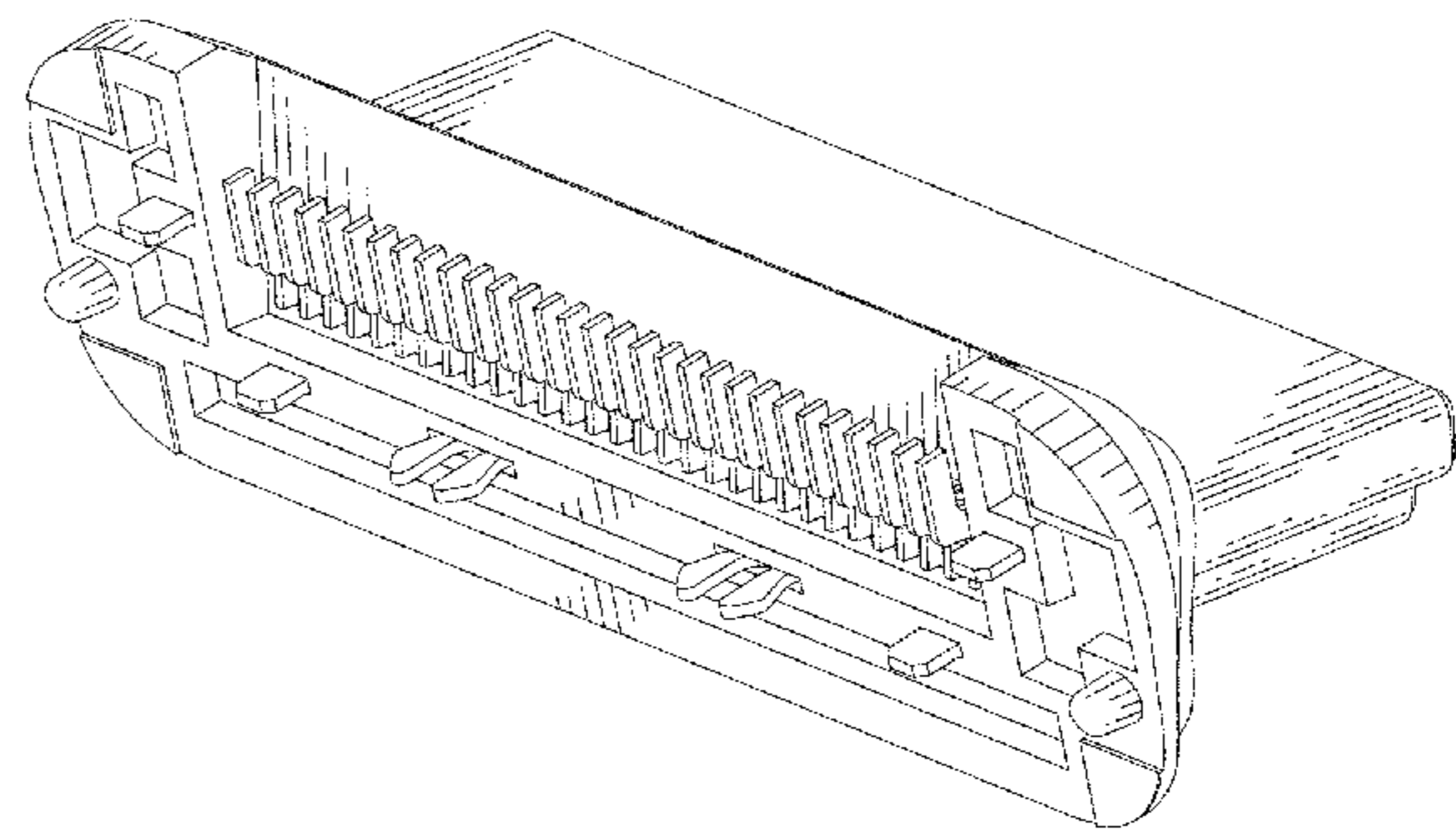
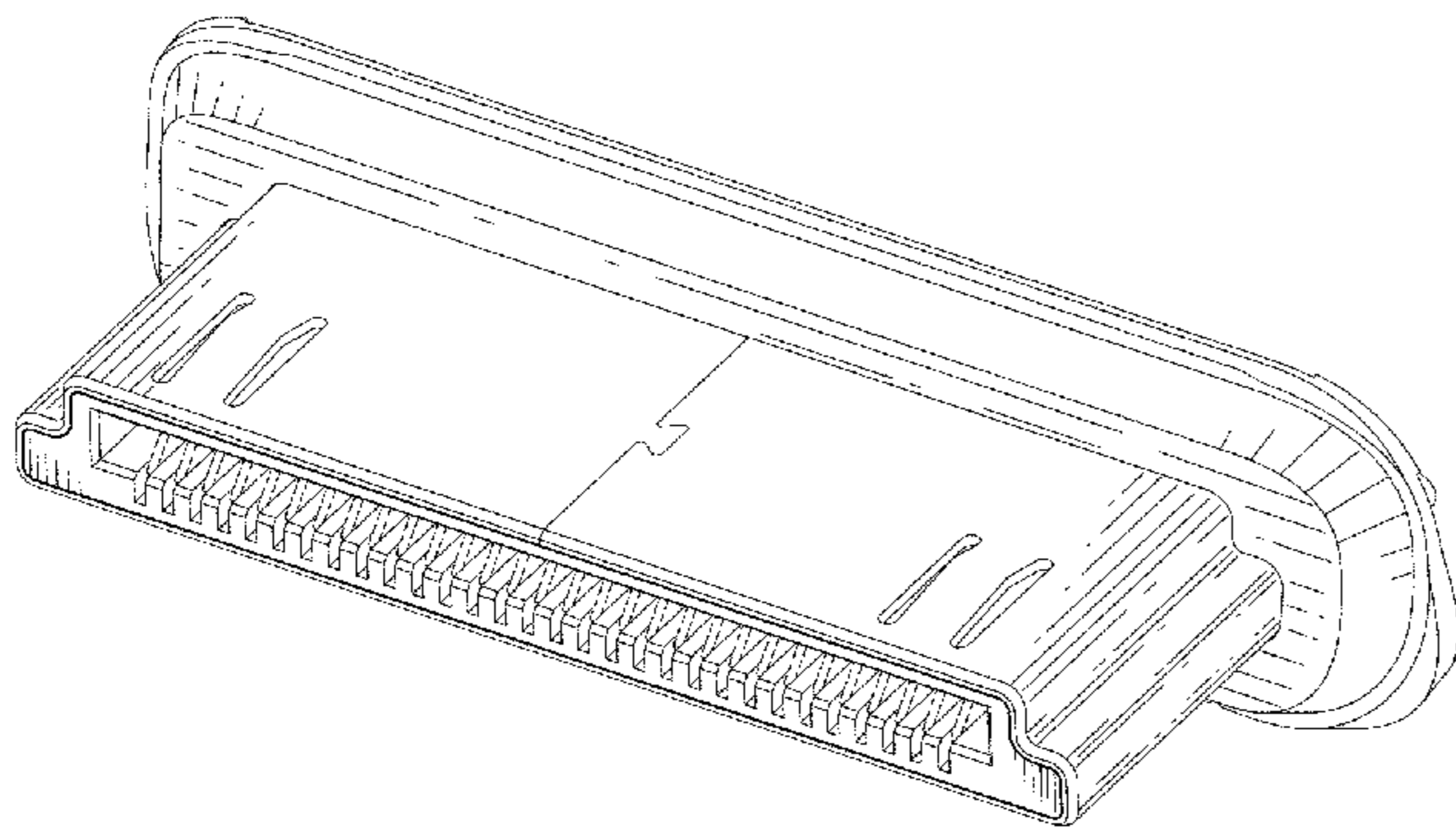
The ornamental design for a connector, as shown and described.

DESCRIPTION

FIG. 1 is a perspective view of a connector showing my new design;
FIG. 2 is a front elevational view thereof;
FIG. 3 is a rear elevational view thereof;
FIG. 4 is a left side elevational view thereof;
FIG. 5 is a right side elevational view thereof;
FIG. 6 is a top plan view thereof;
FIG. 7 is a bottom plan view thereof; and,
FIG. 8 is another perspective view of the connector showing my new design.

The broken line portion of the figure drawings is included to show unclaimed subject matter only and forms no part of the claimed design.

1 Claim, 8 Drawing Sheets



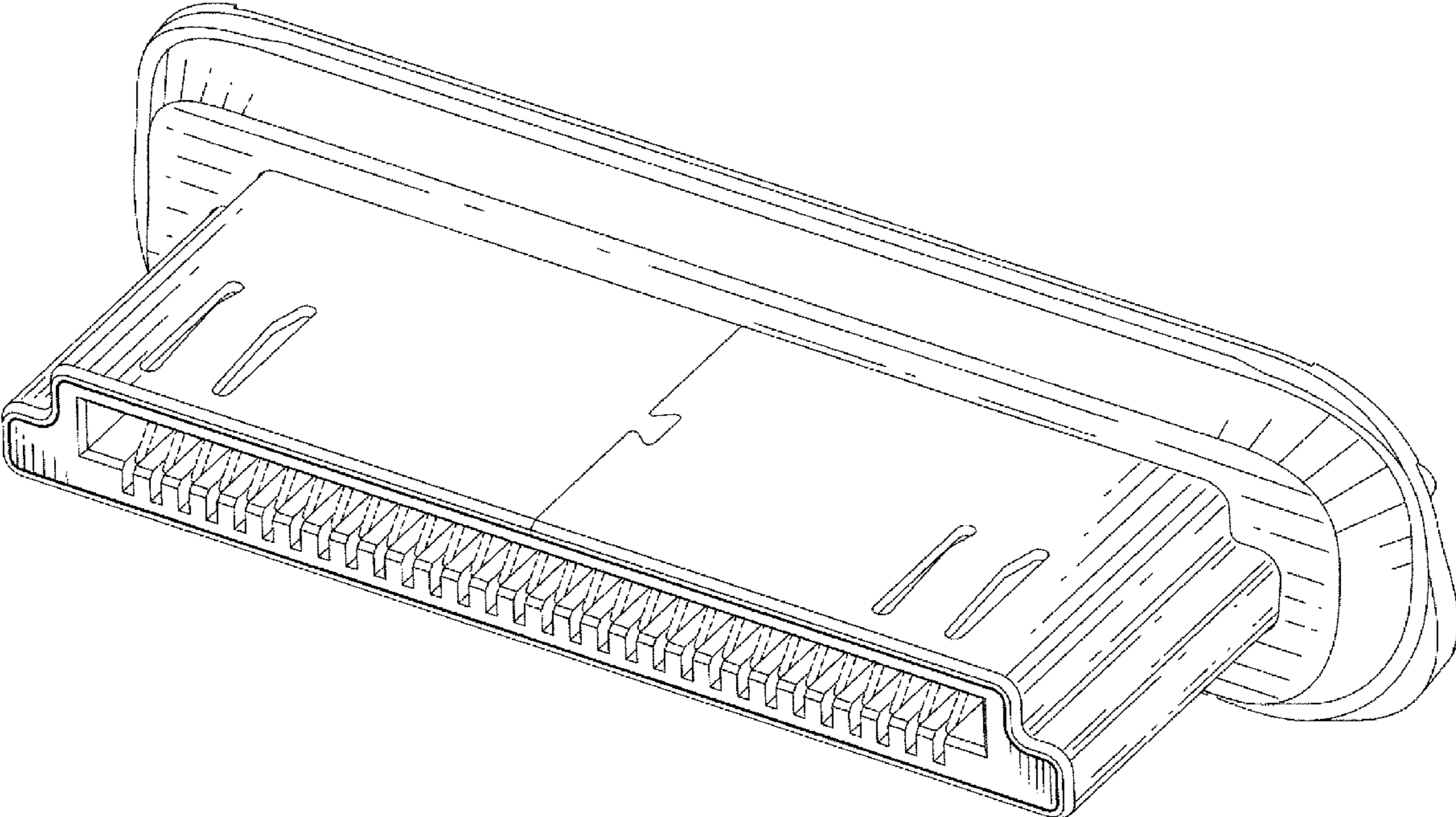


FIG. 1

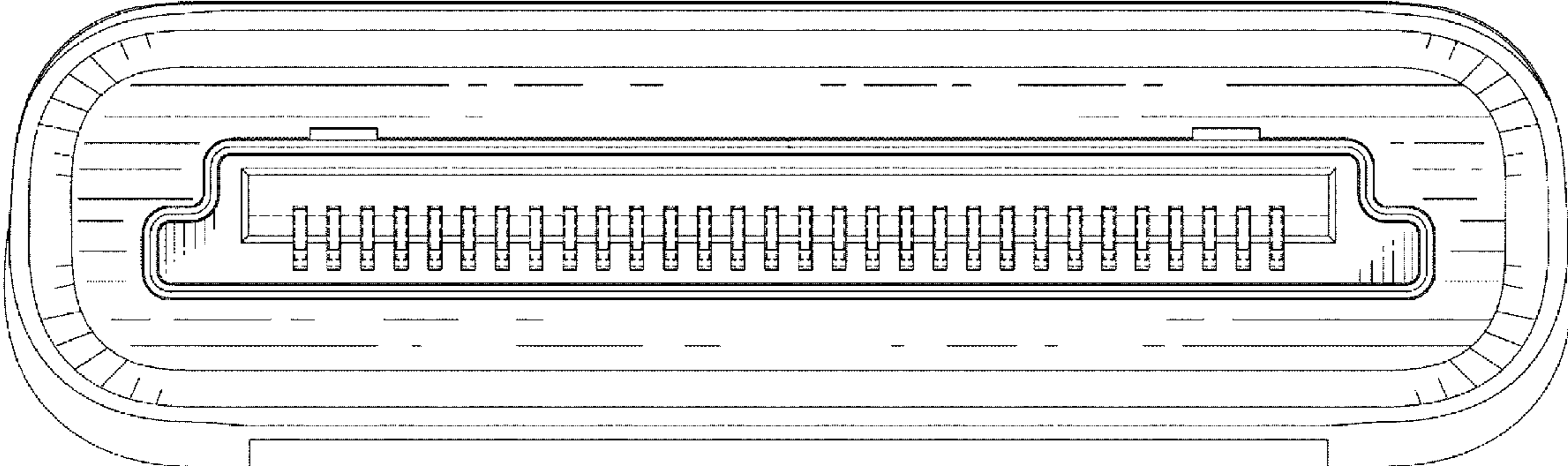


FIG. 2

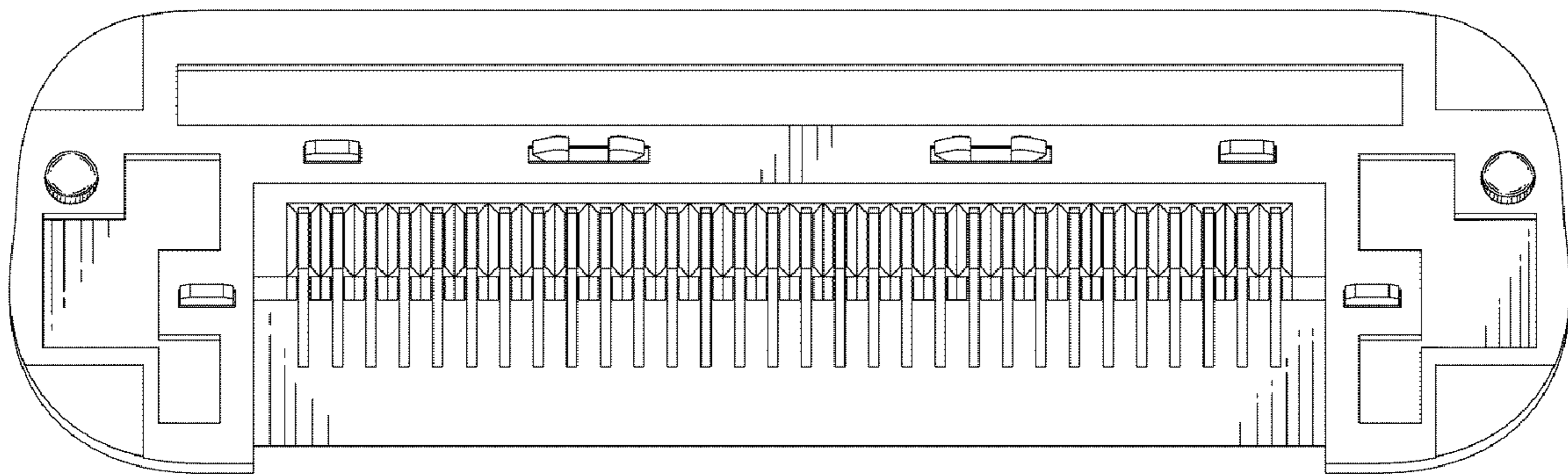


FIG. 3

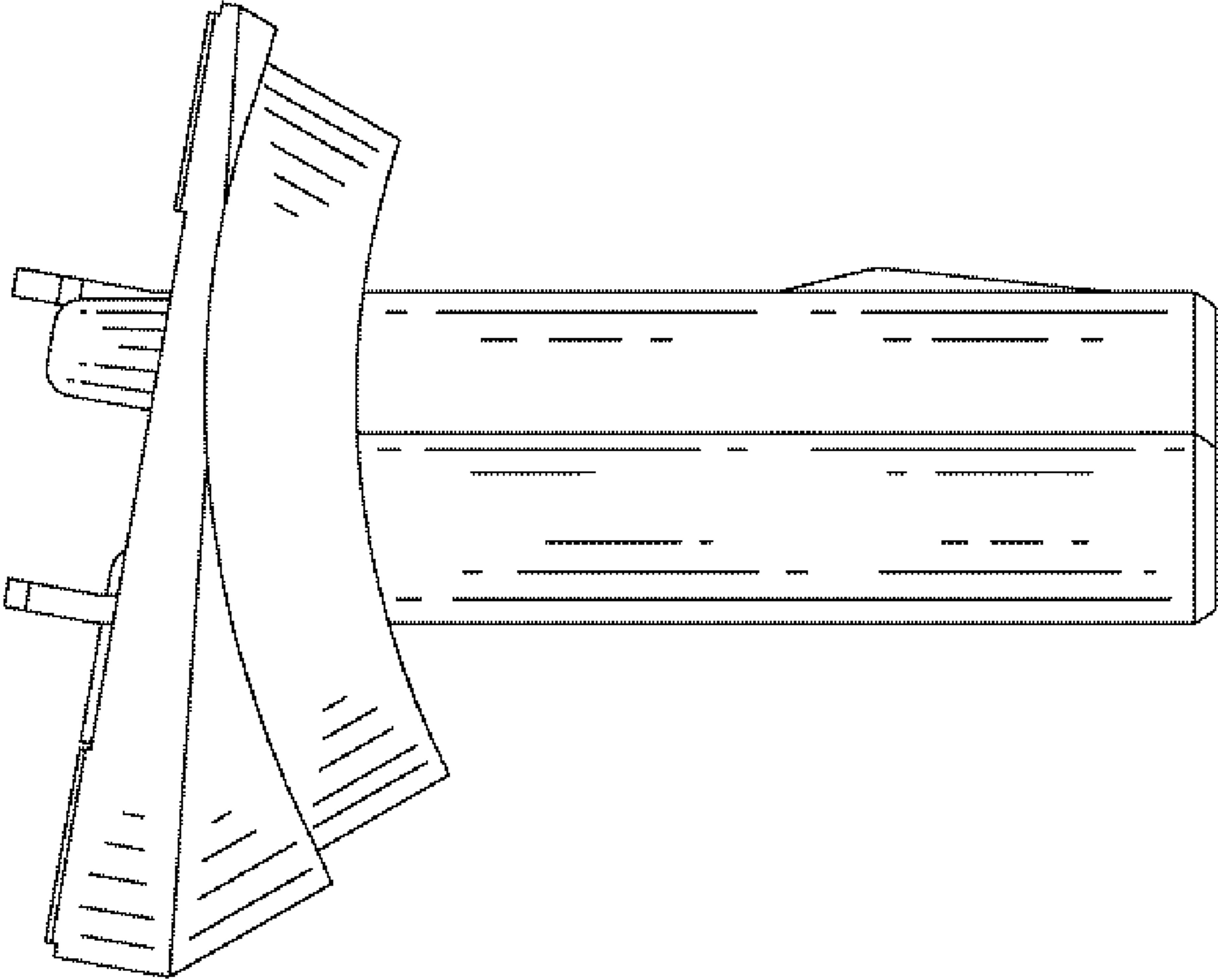


FIG. 4

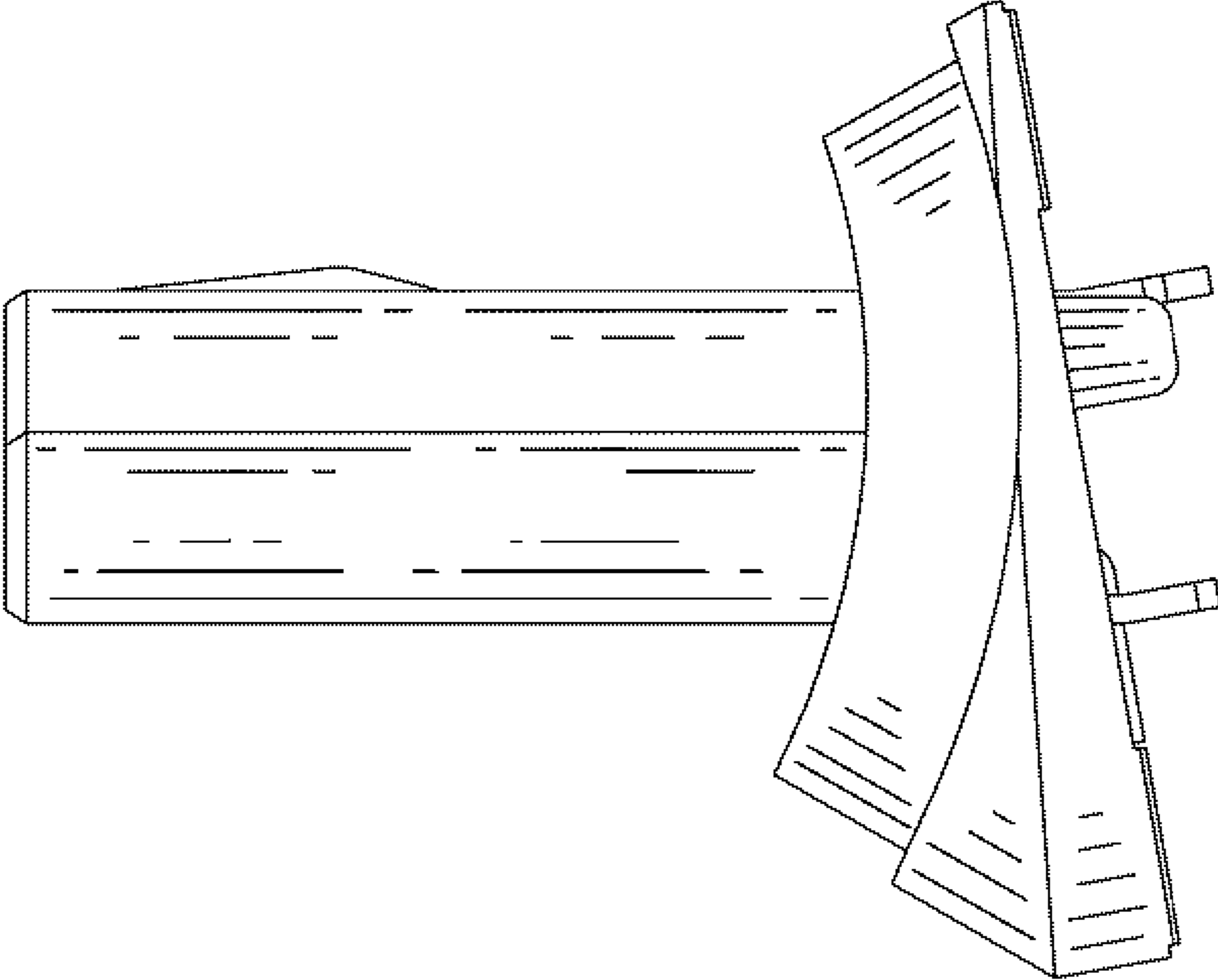


FIG. 5

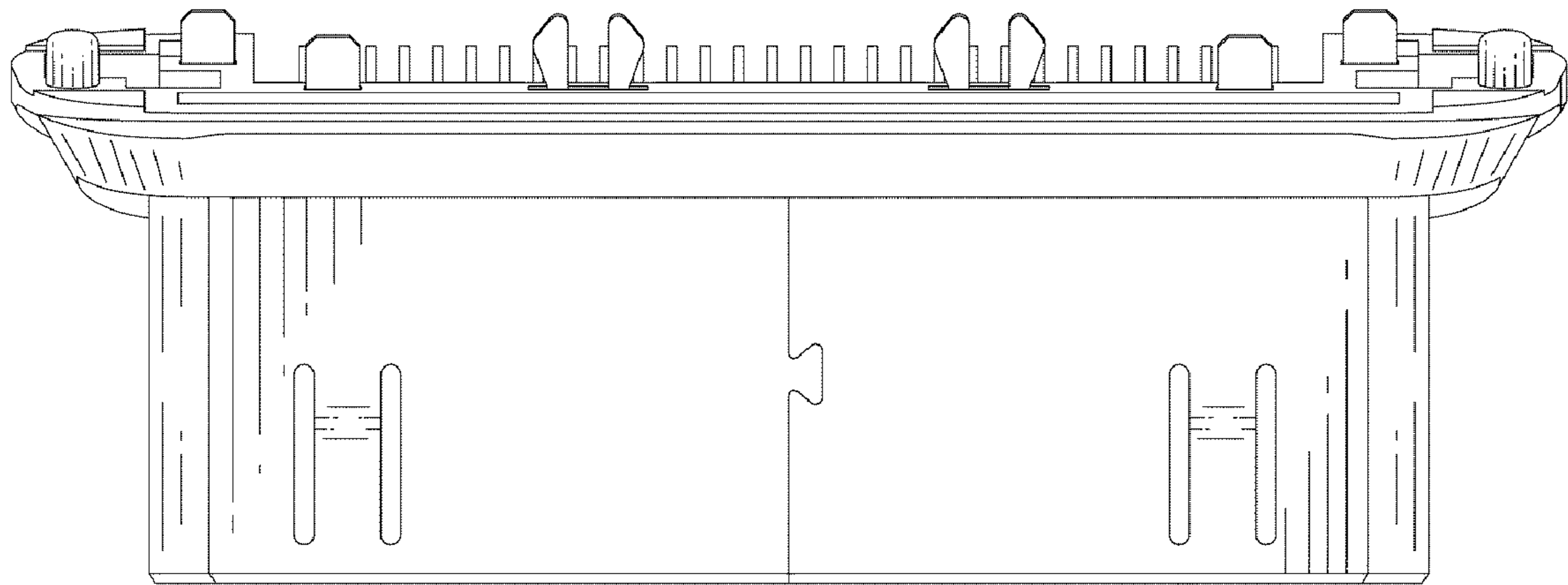


FIG. 6

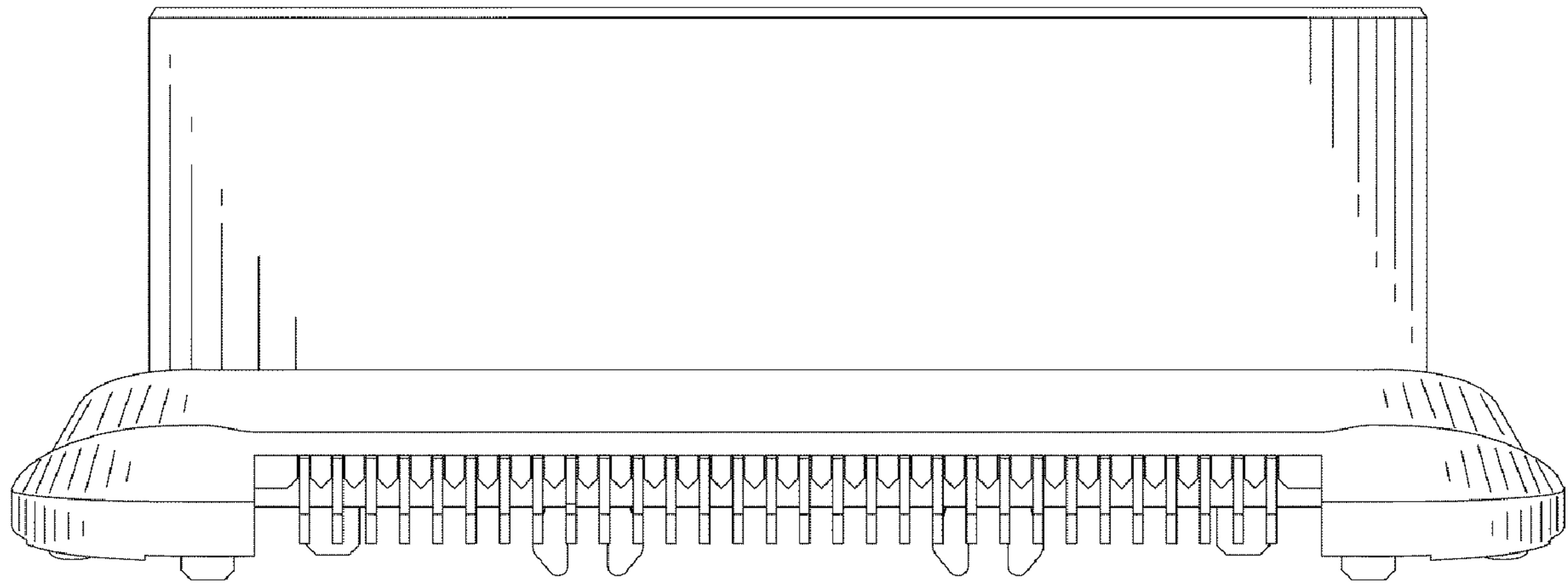


FIG. 7

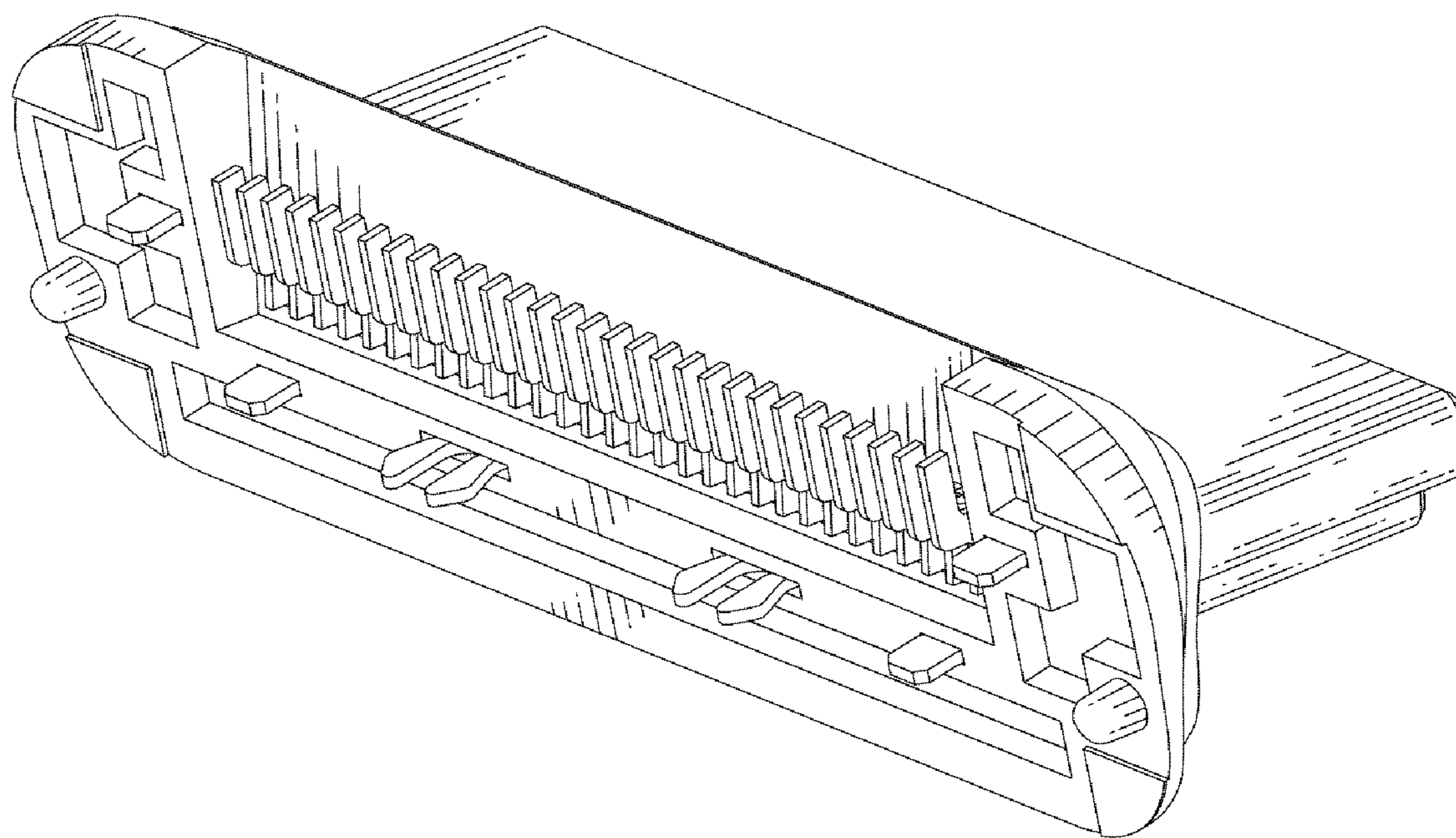


FIG. 8