



US00D647486S

(12) **United States Design Patent**
Li et al.

(10) **Patent No.:** **US D647,486 S**

(45) **Date of Patent:** **** Oct. 25, 2011**

(54) **CARD CONNECTOR**

(75) Inventors: **Jiang Li**, Guang-Dong (CN); **Ming-Han Lin**, Tu-Cheng (TW); **Li-Jun Xu**, Guang-Dong (CN)

(73) Assignee: **Cheng Uei Precision Industry Co., Ltd.**, Tu-Cheng, Taipei Hsien (TW)

(**) Term: **14 Years**

(21) Appl. No.: **29/381,883**

(22) Filed: **Dec. 23, 2010**

(51) **LOC (9) Cl.** **13-03**

(52) **U.S. Cl.** **D13/147**

(58) **Field of Classification Search** D13/120,
D13/146, 147, 154, 184, 199; 439/83, 108,
439/166, 500, 577, 630, 660, 680, 700, 773.1,
439/862

See application file for complete search history.

(56) **References Cited**

U.S. PATENT DOCUMENTS

D485,807	S	*	1/2004	Kao et al.	D13/133
D584,231	S	*	1/2009	Wu	D13/147
D586,294	S	*	2/2009	Lung	D13/133
D619,538	S	*	7/2010	Peng	D13/147

* cited by examiner

Primary Examiner — Daniel Bui

(74) *Attorney, Agent, or Firm* — Cheng-Ju Chiang

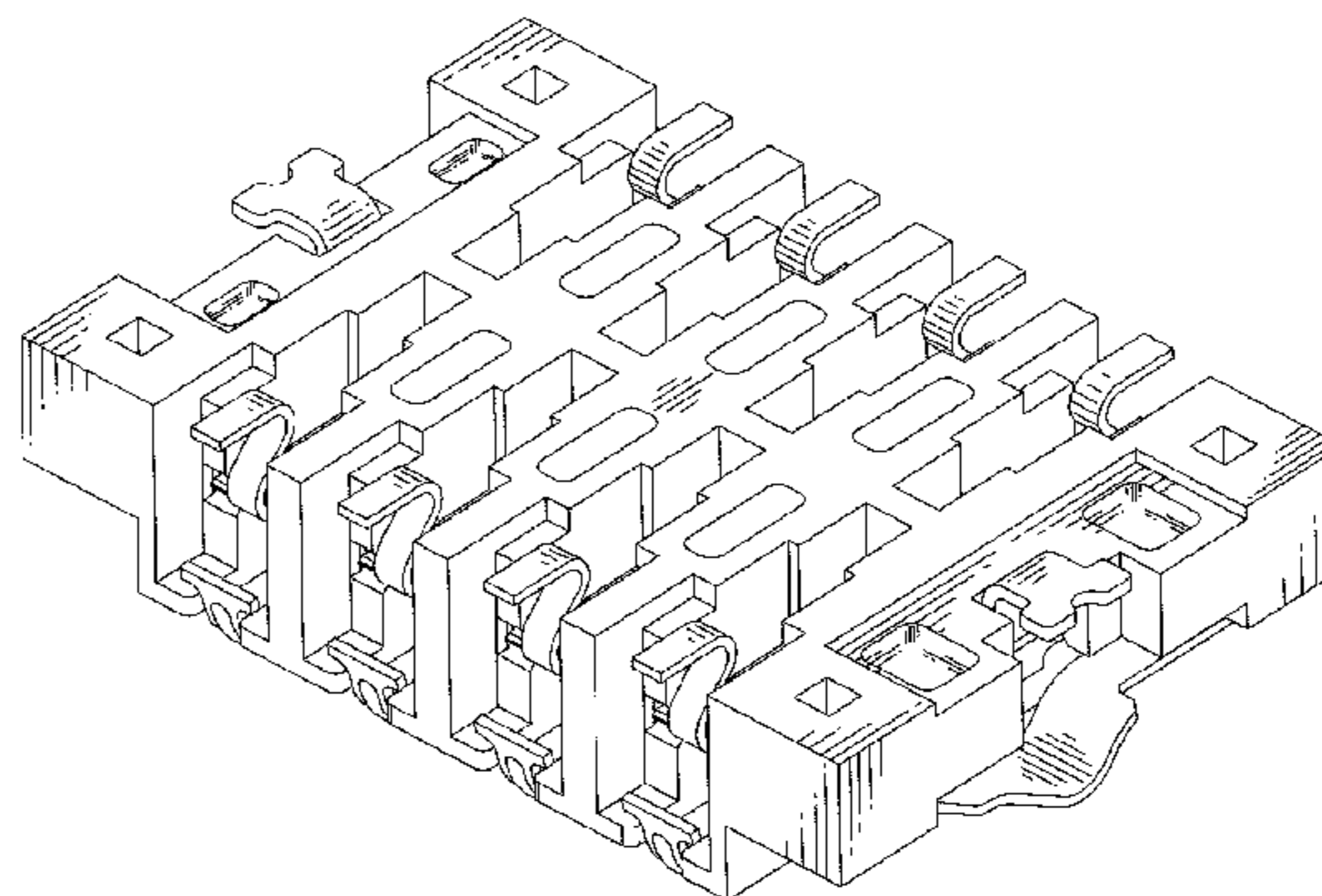
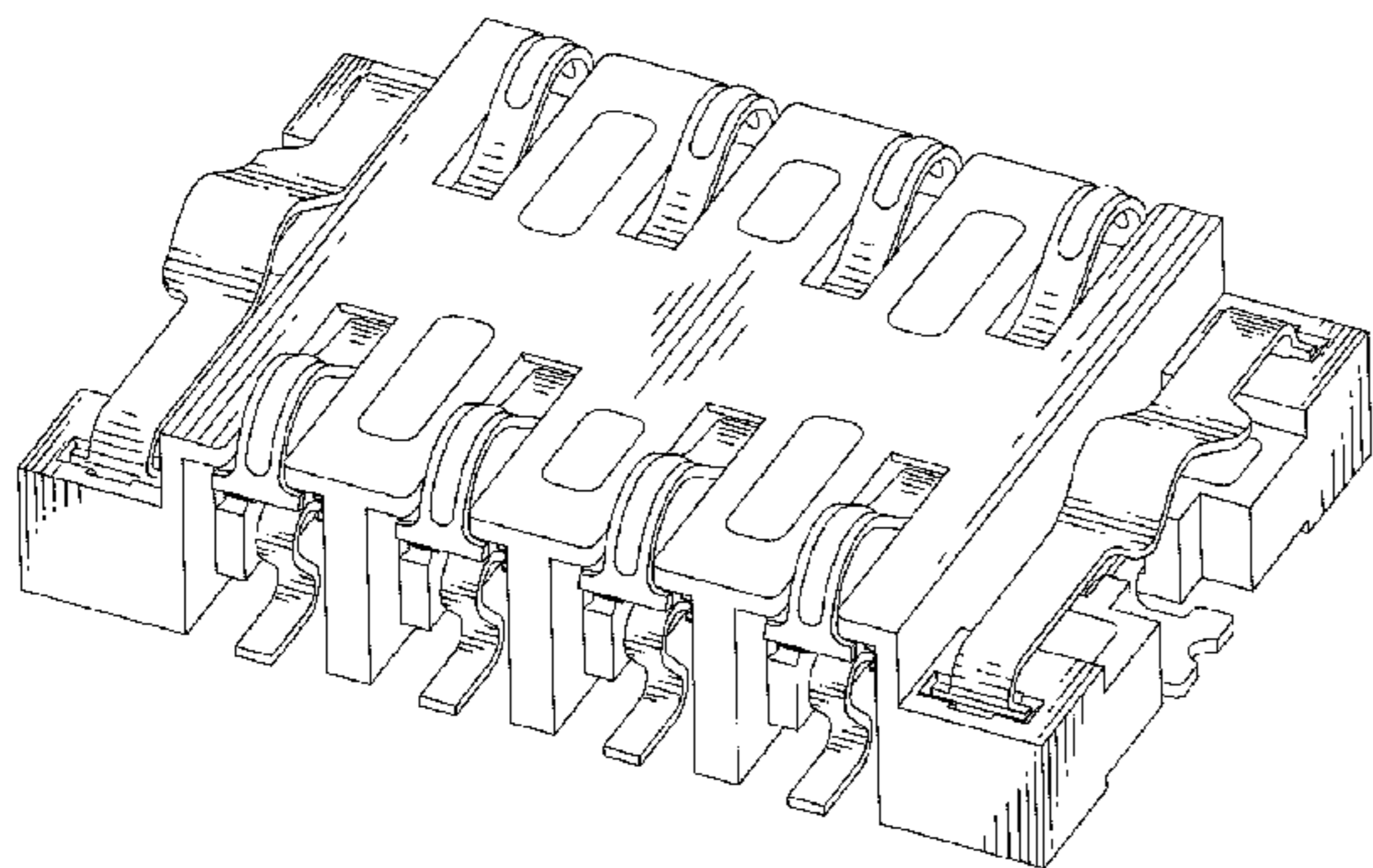
(57) **CLAIM**

The ornamental design for a card connector, as shown and described.

DESCRIPTION

FIG. 1 is a perspective view of a card connector showing our new design;
FIG. 2 is a front elevational view thereof;
FIG. 3 is a rear elevational view thereof;
FIG. 4 is a left side elevational view thereof;
FIG. 5 is a right side elevational view thereof;
FIG. 6 is a top plan view thereof;
FIG. 7 is a bottom plan view thereof; and,
FIG. 8 is another perspective view thereof.

1 Claim, 8 Drawing Sheets



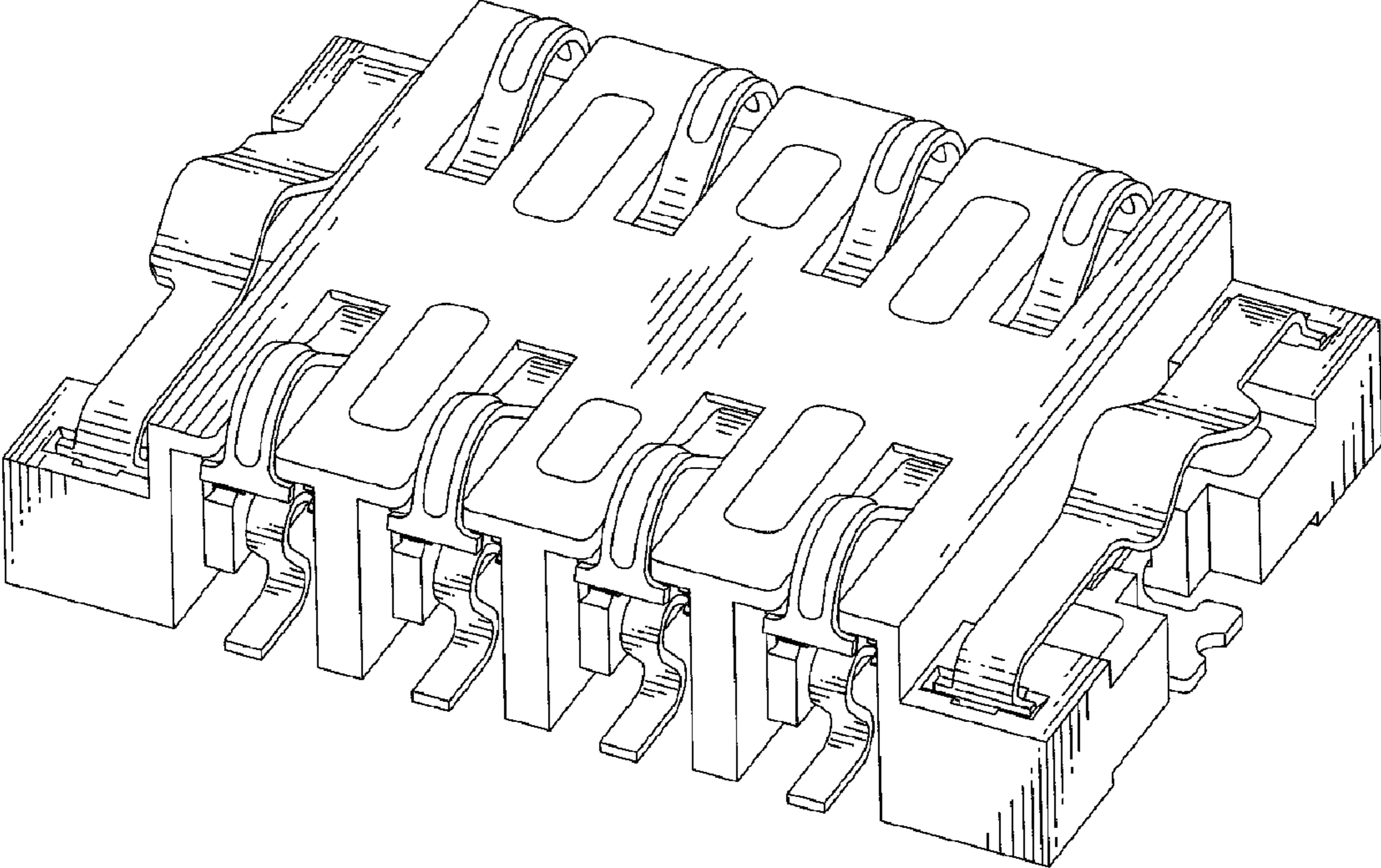


FIG. 1

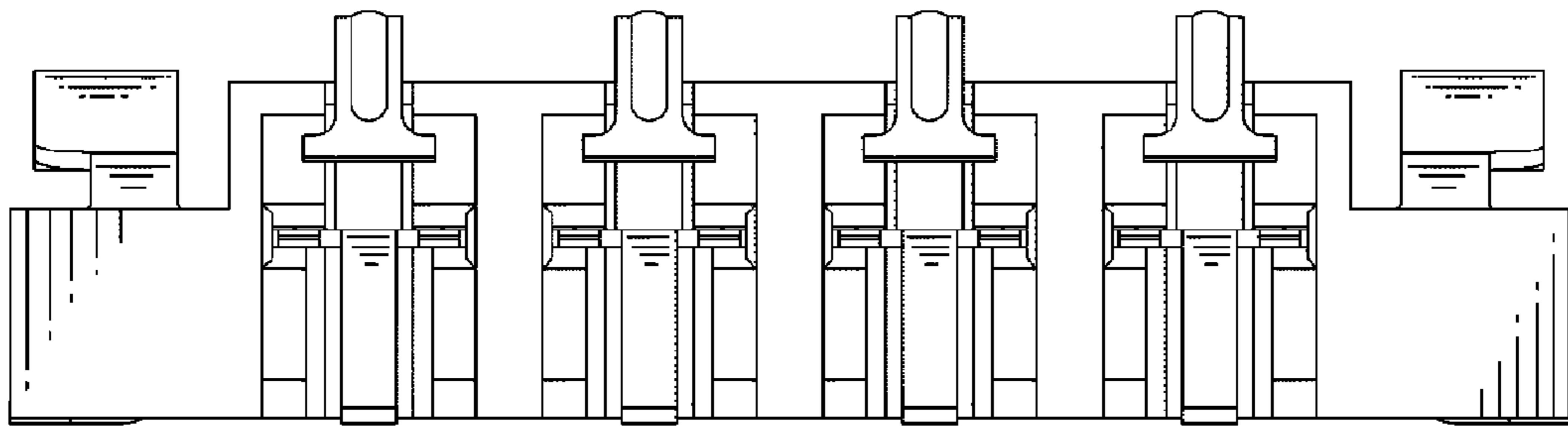


FIG. 2

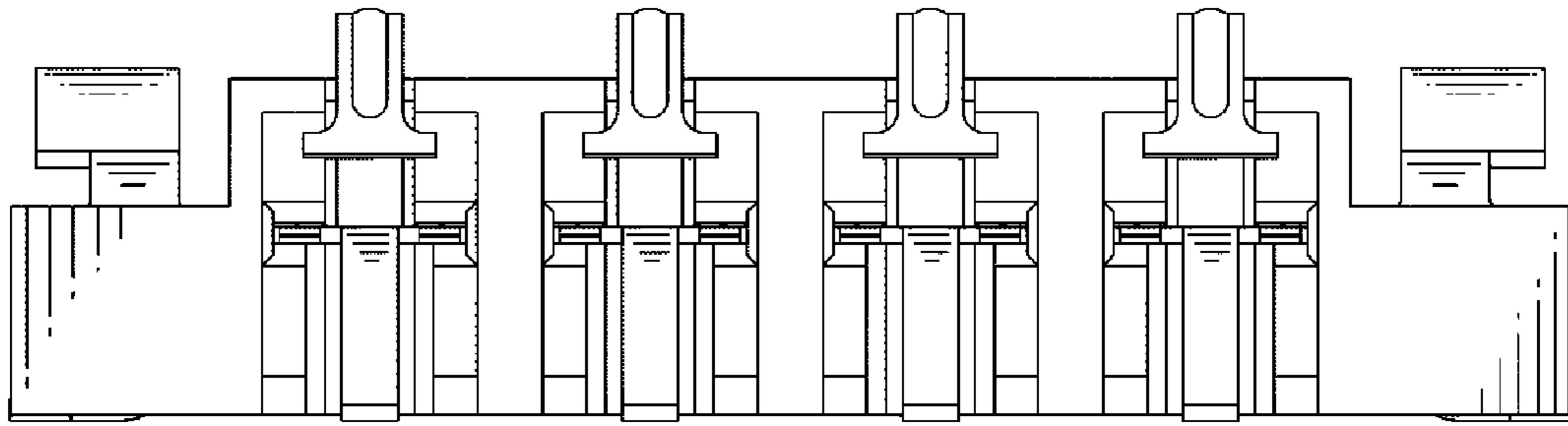


FIG. 3

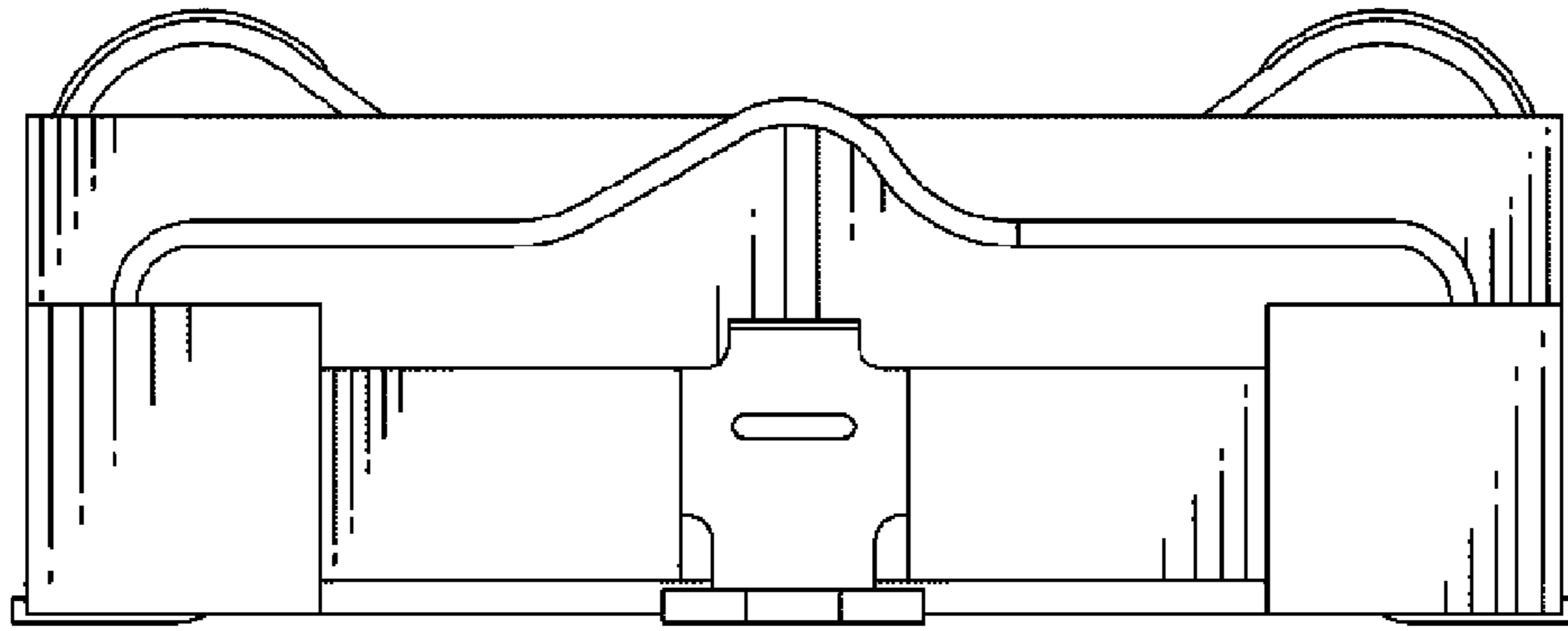


FIG. 4

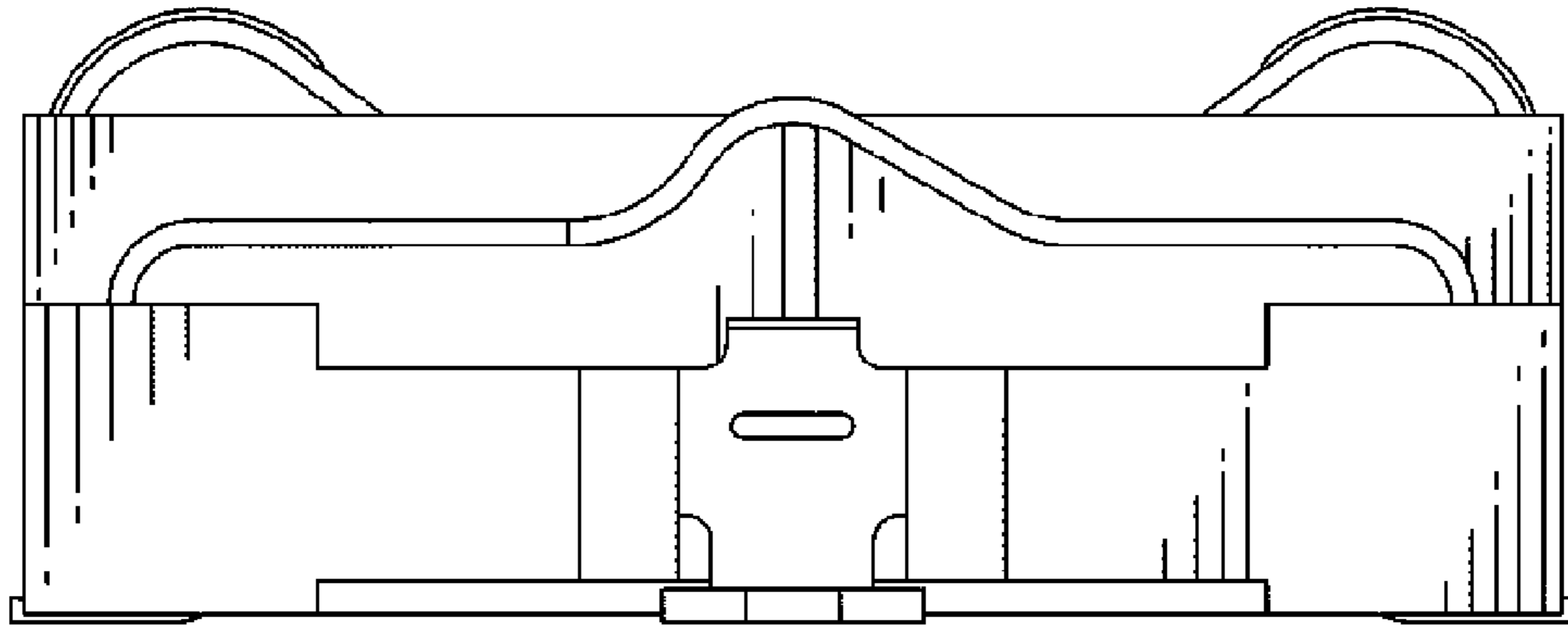


FIG. 5

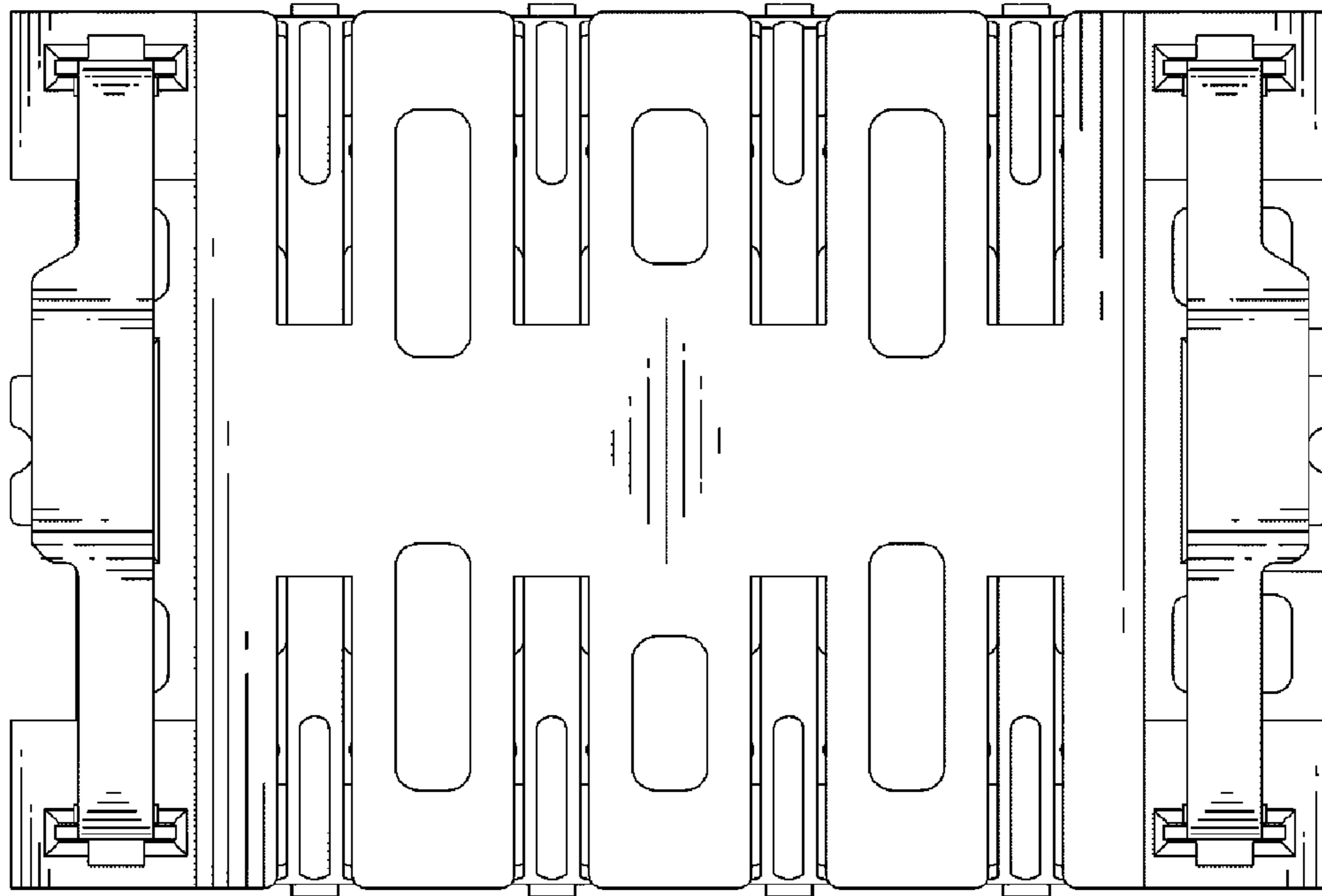


FIG. 6

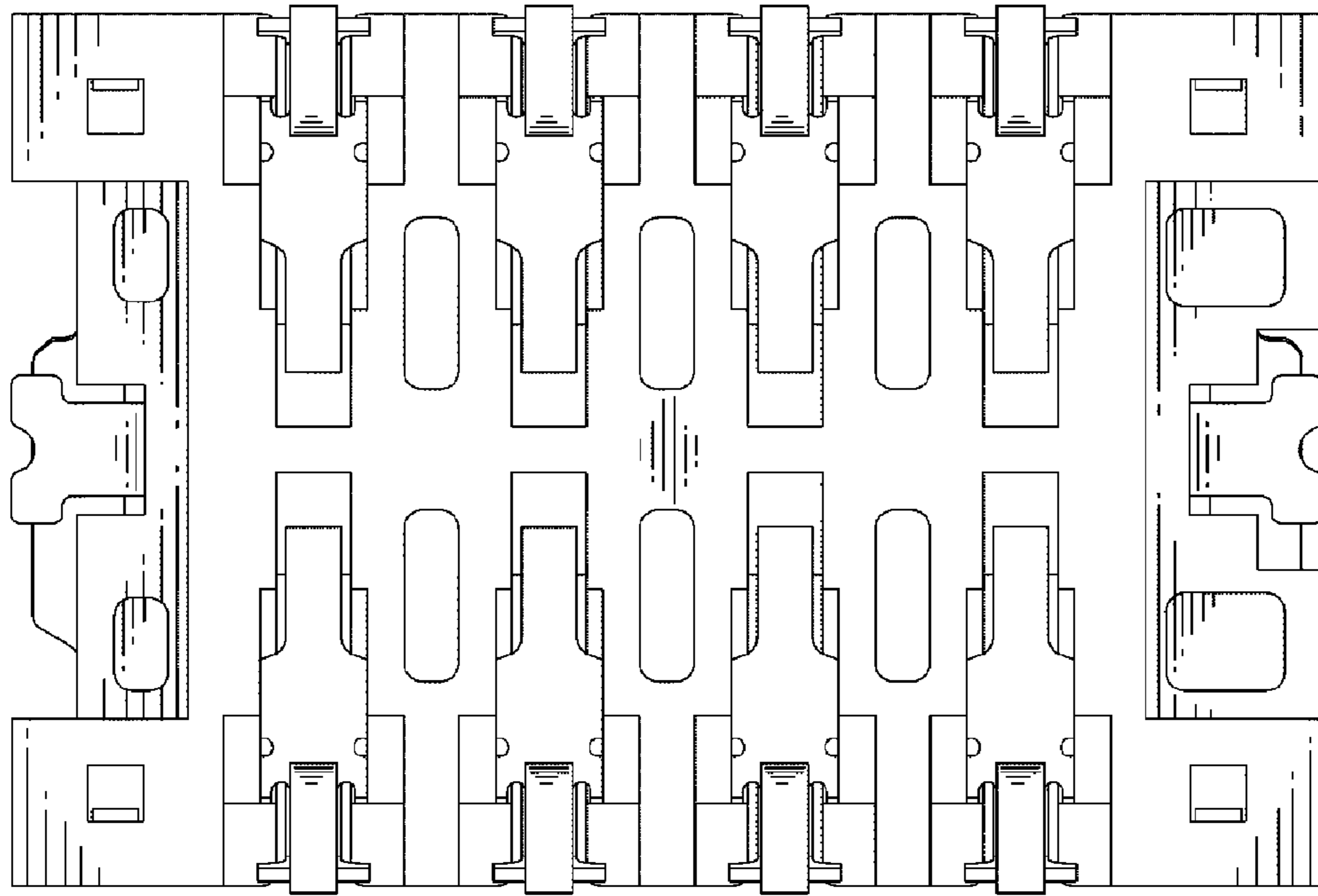


FIG. 7

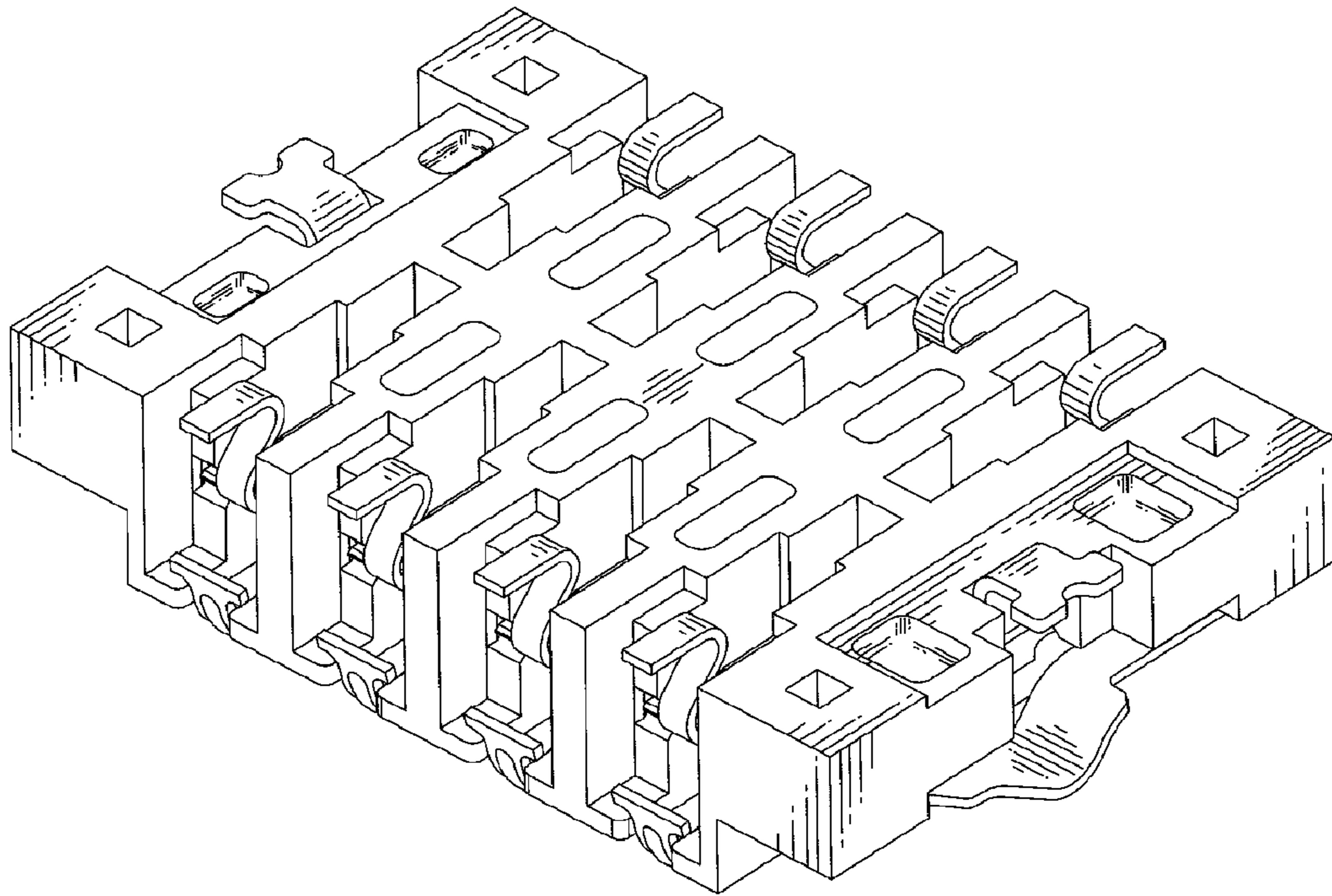


FIG. 8