



US00D647483S

(12) **United States Design Patent**  
**Goto et al.**

(10) **Patent No.:** **US D647,483 S**

(45) **Date of Patent:** **\*\* Oct. 25, 2011**

(54) **ELECTRICAL CONNECTOR**

(75) Inventors: **Yuichi Goto**, Yokkaichi (JP); **Kenji Okamura**, Yokkaichi (JP)

(73) Assignee: **Sumitomo Wiring Systems, Ltd.** (JP)

(\*\*) Term: **14 Years**

(21) Appl. No.: **29/370,404**

(22) Filed: **Jul. 13, 2010**

(30) **Foreign Application Priority Data**

Jan. 25, 2010 (JP) ..... 2010-001519

(51) **LOC (9) Cl.** ..... **13-03**

(52) **U.S. Cl.** ..... **D13/147**

(58) **Field of Classification Search** ..... D13/133,  
D13/146, 147, 154, 184, 199; 439/266, 345,  
439/350, 352, 357, 358, 595, 660, 678, 680,  
439/682, 689, 692, 752

See application file for complete search history.

(56) **References Cited**

**U.S. PATENT DOCUMENTS**

D210,533 S *	3/1968	Pauza	.....	D13/147
D366,242 S *	1/1996	Goto	.....	D13/147
D421,964 S *	3/2000	Nagasawa et al.	.....	D13/147
D429,690 S *	8/2000	Fristedt	.....	D13/146
D432,991 S *	10/2000	Taguchi	.....	D13/147
D437,290 S *	2/2001	Goto	.....	D13/147
D457,194 S *	5/2002	Goto	.....	D21/333
D505,133 S *	5/2005	Ashida et al.	.....	D14/435
D531,960 S *	11/2006	Kondas	.....	D13/147
D611,428 S *	3/2010	Chapman	.....	D13/154

**FOREIGN PATENT DOCUMENTS**

JP	D1264844	3/2006
JP	D1265215	3/2006
JP	D1289351	12/2006
TW	D110092	4/2006
WO	DM/054968	10/2005

**OTHER PUBLICATIONS**

“Russian Application Serial No. 2010502125, Russian Official Action dated Dec. 21, 2010”, (w/ Partial English Translation), 5 pgs.

“Taiwanese Application Serial No. 099303453, Office Action dated Jan. 19, 2011”, 3 pgs.

“U.S. Appl. No. 29/370,405, Non Final Office Action mailed Feb. 17, 2011”, 5 pgs.

“U.S. Appl. No. 29/370,405, Response filed May 16, 2011 to Non Final Office Action mailed Feb. 17, 2011”, 5 pgs.

“U.S. Appl. No. 29/370,407, Non Final Office Action mailed Feb. 16, 2011”, 6 pgs.

“U.S. Appl. No. 29/370,407, Response filed May 16, 2011 to Non Final Office Action mailed Feb. 16, 2011”, 5 pgs.

“Russian Application Serial No. 2010502126. Office Action dated Dec. 15, 2010”, (w/ English Translation), (2011), 3 pgs.

\* cited by examiner

*Primary Examiner* — Daniel Bui

(74) *Attorney, Agent, or Firm* — Schwegman, Lundberg & Woessner, P.A.

(57) **CLAIM**

The ornamental design for an electrical connector, as shown and described.

**DESCRIPTION**

FIG. 1 is a front perspective view of an electrical connector showing our new design;

FIG. 2 is a rear perspective view thereof;

FIG. 3 is a front view thereof;

FIG. 4 is a rear view thereof;

FIG. 5 is a top plan view thereof;

FIG. 6 is a bottom plan view thereof;

FIG. 7 is a right side view thereof;

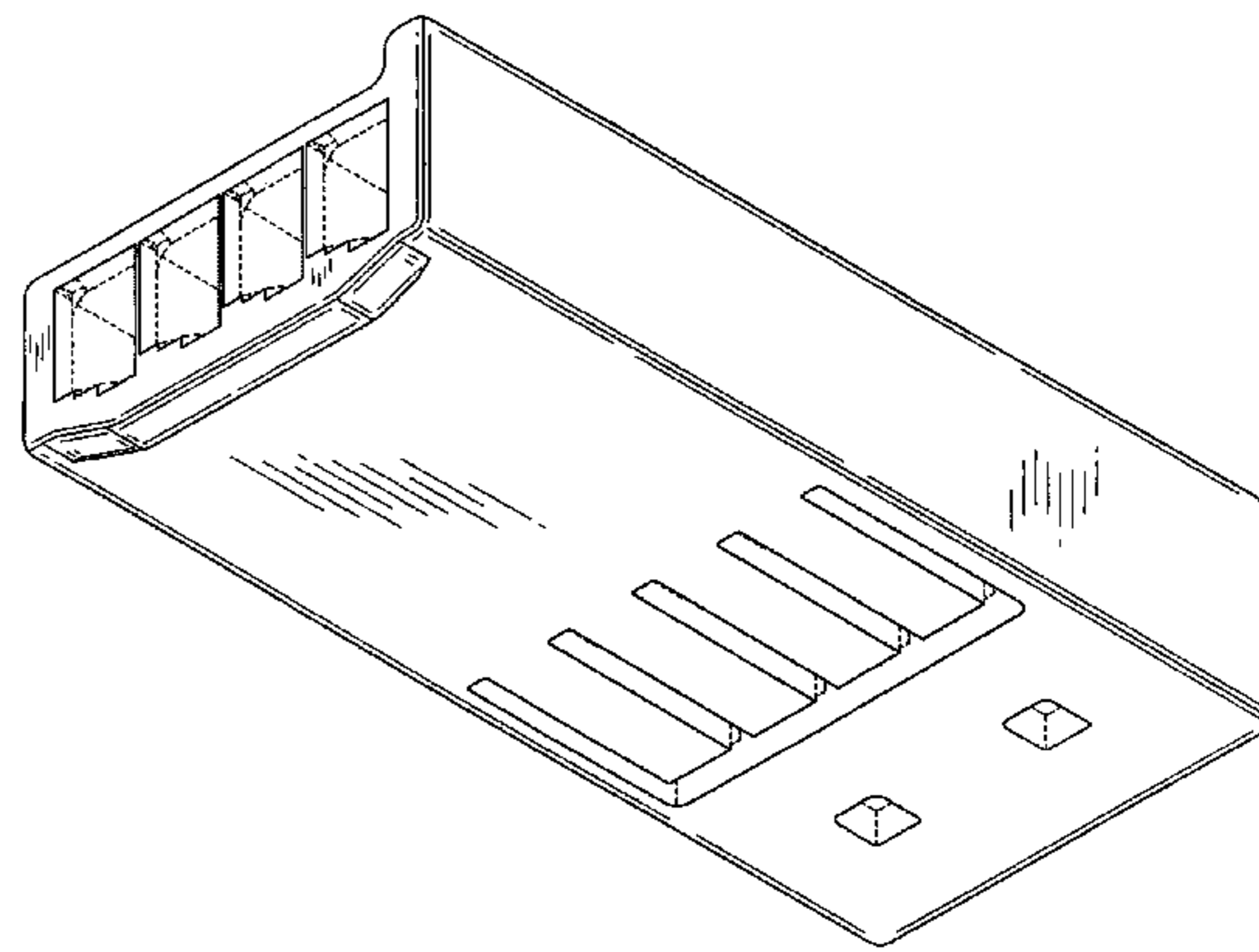
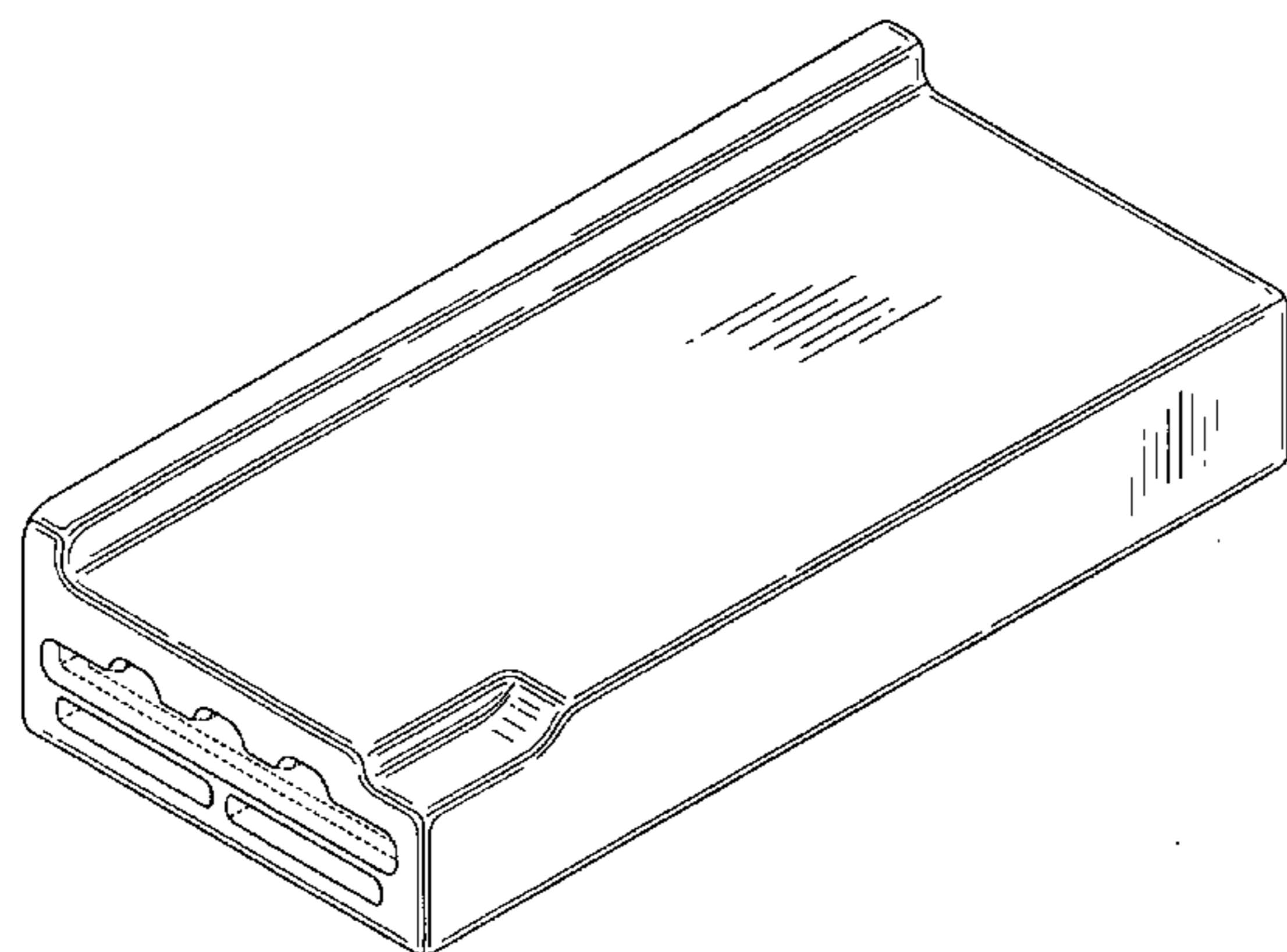
FIG. 8 is a left side view thereof;

FIG. 9 is a cross-sectional view taken along line 9-9 in FIG. 3; and,

FIG. 10 is a cross-sectional view taken along line 10-10 in FIG. 3.

The broken line showing in the drawing views is included for the purpose of illustrating environment and forms no part of the claimed design.

**1 Claim, 7 Drawing Sheets**



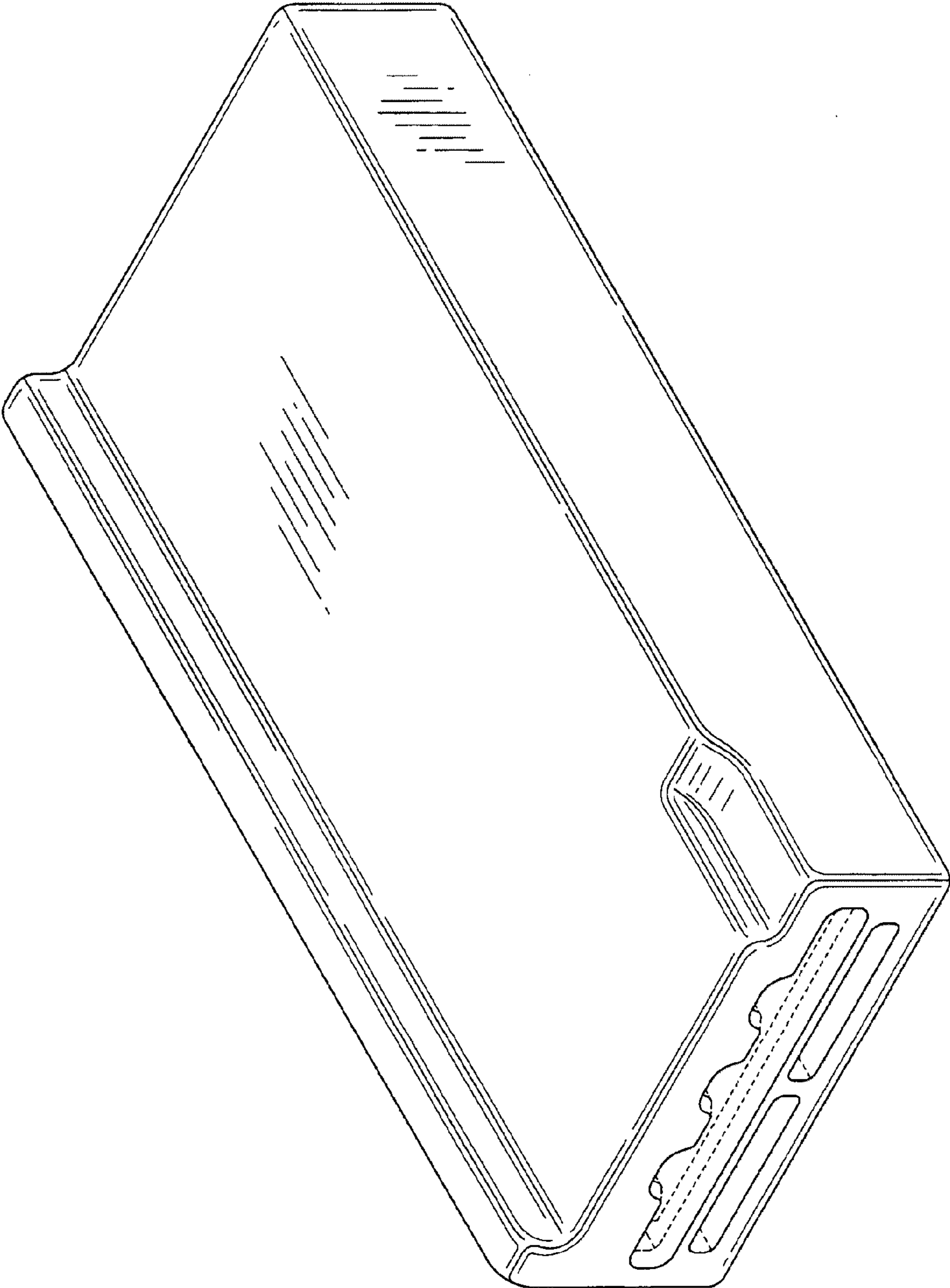


FIG. 1

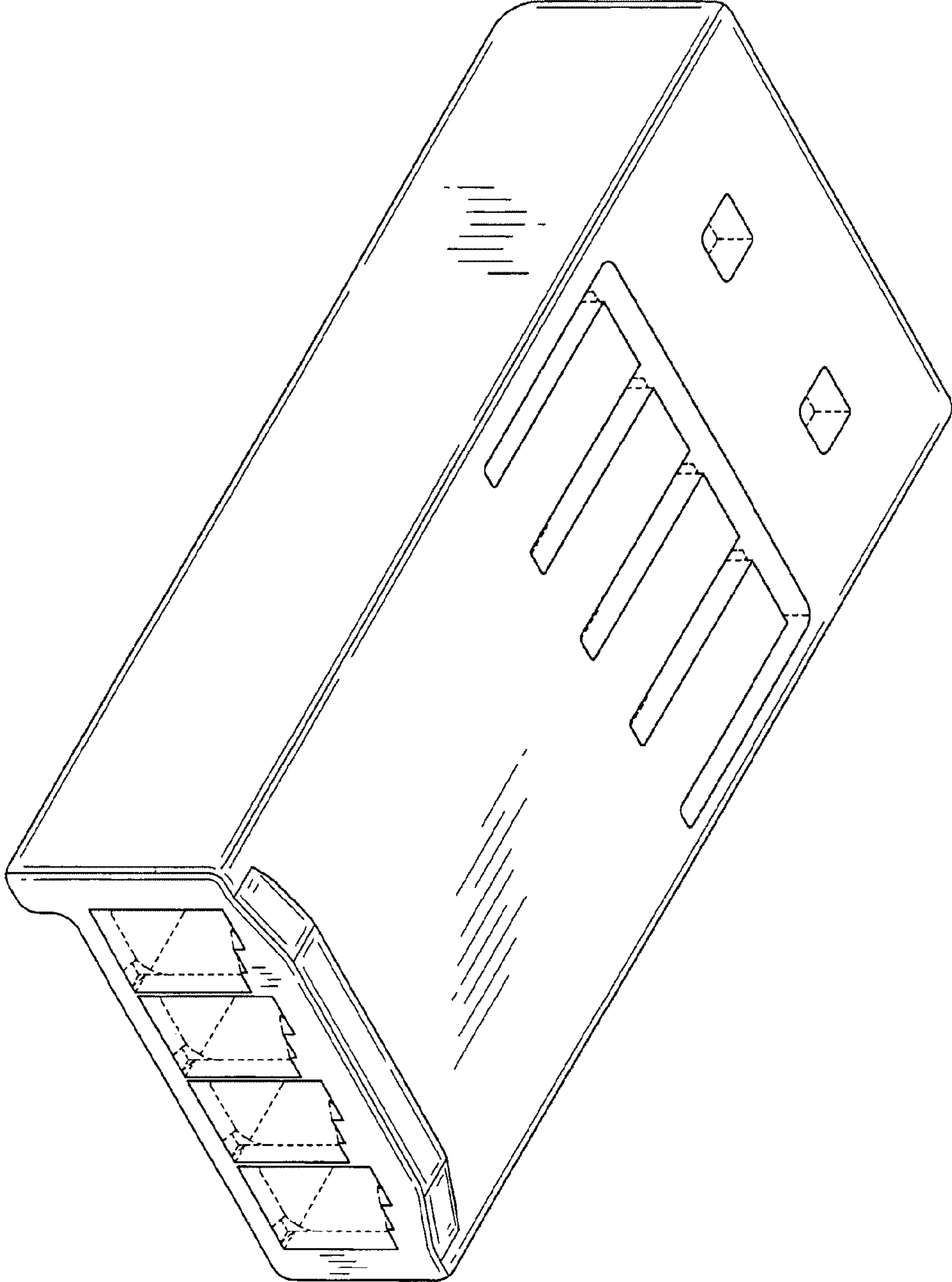
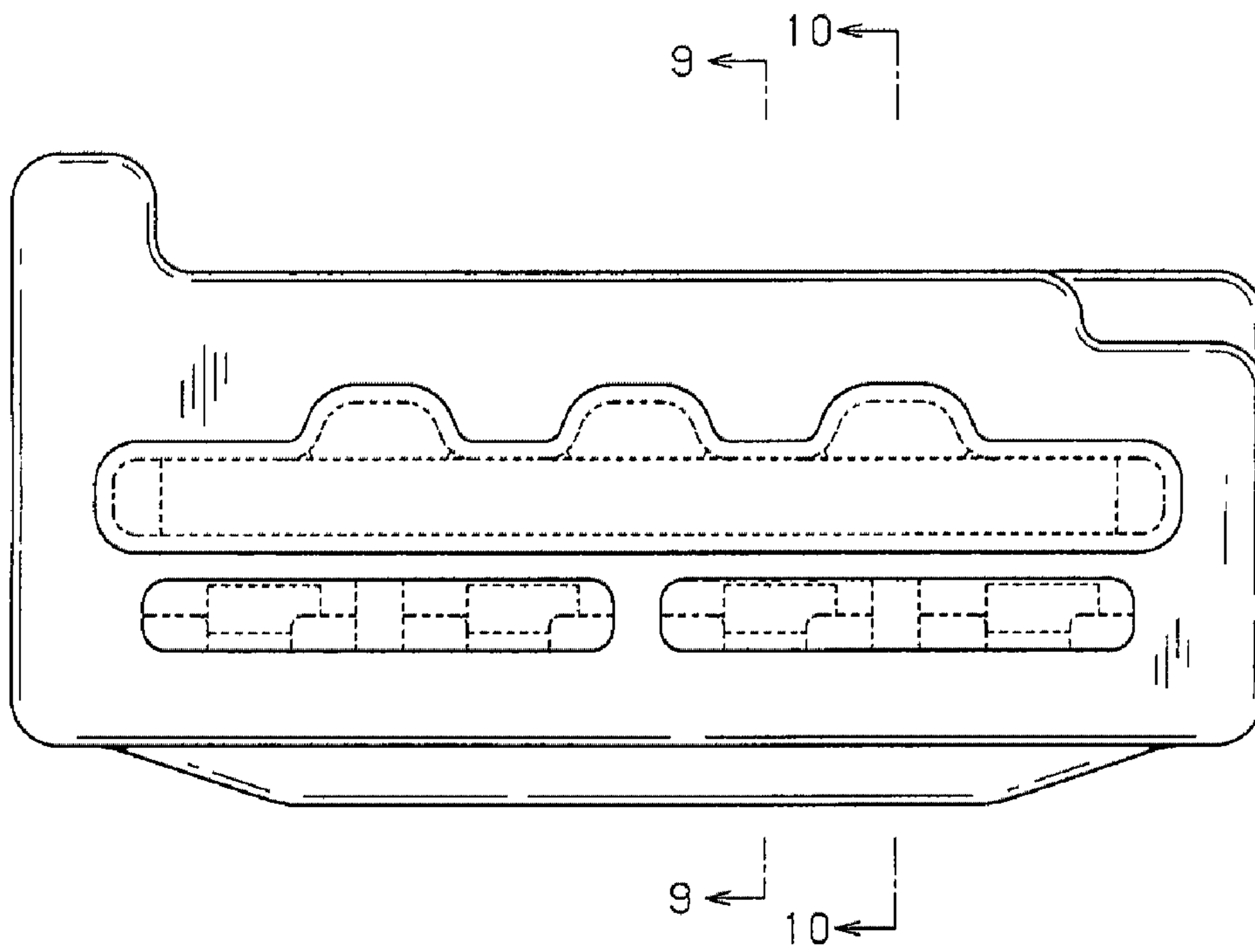
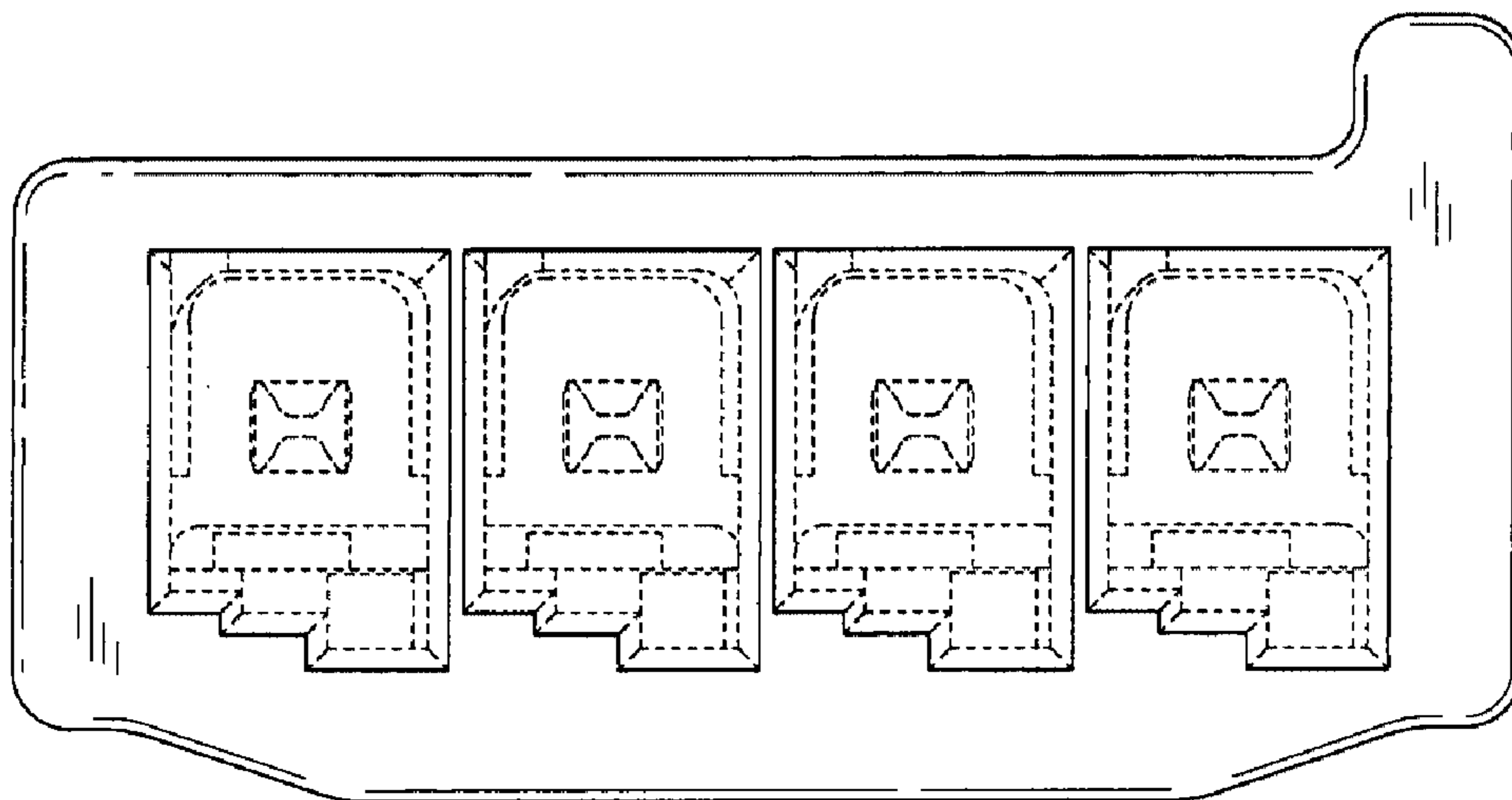


FIG. 2

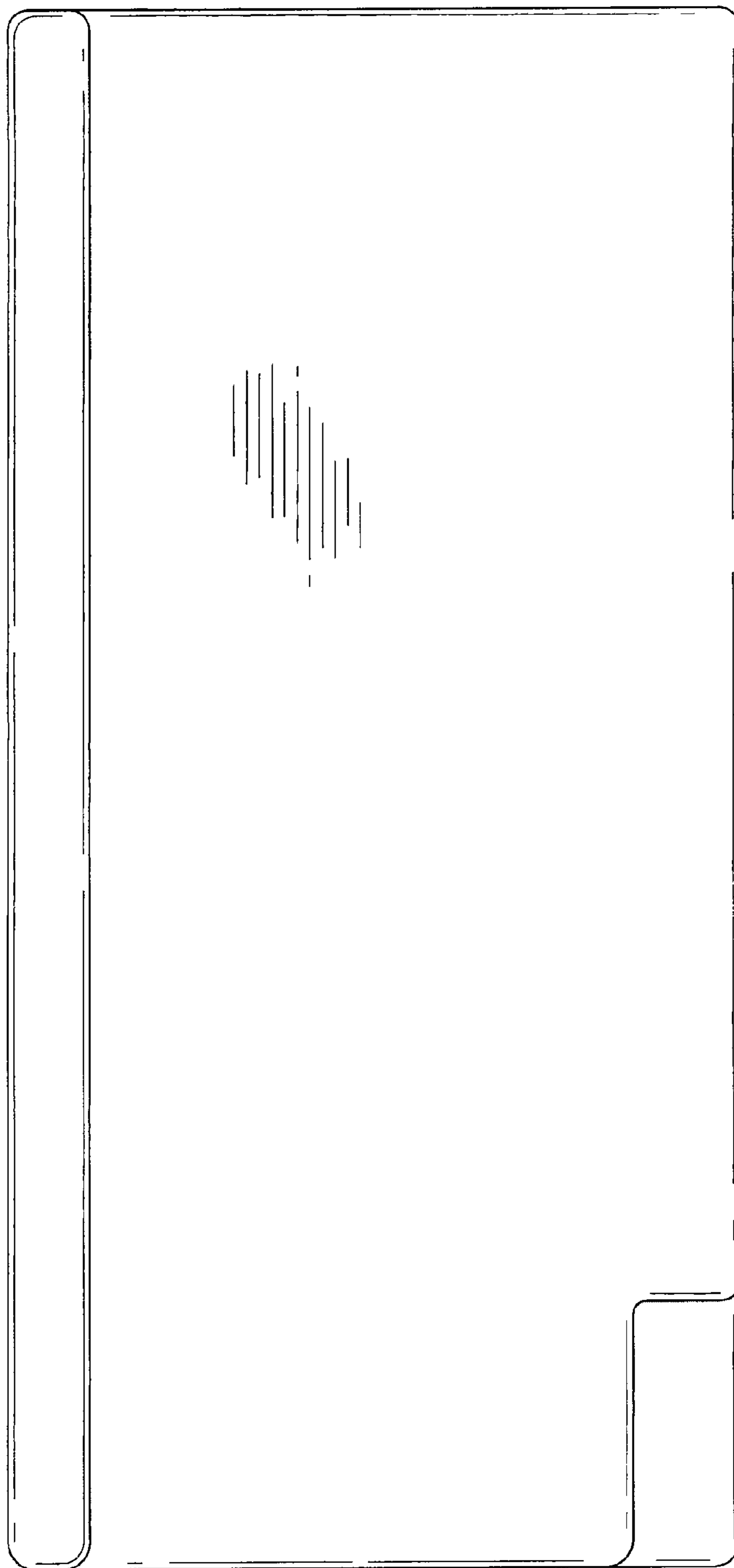


*FIG. 3*

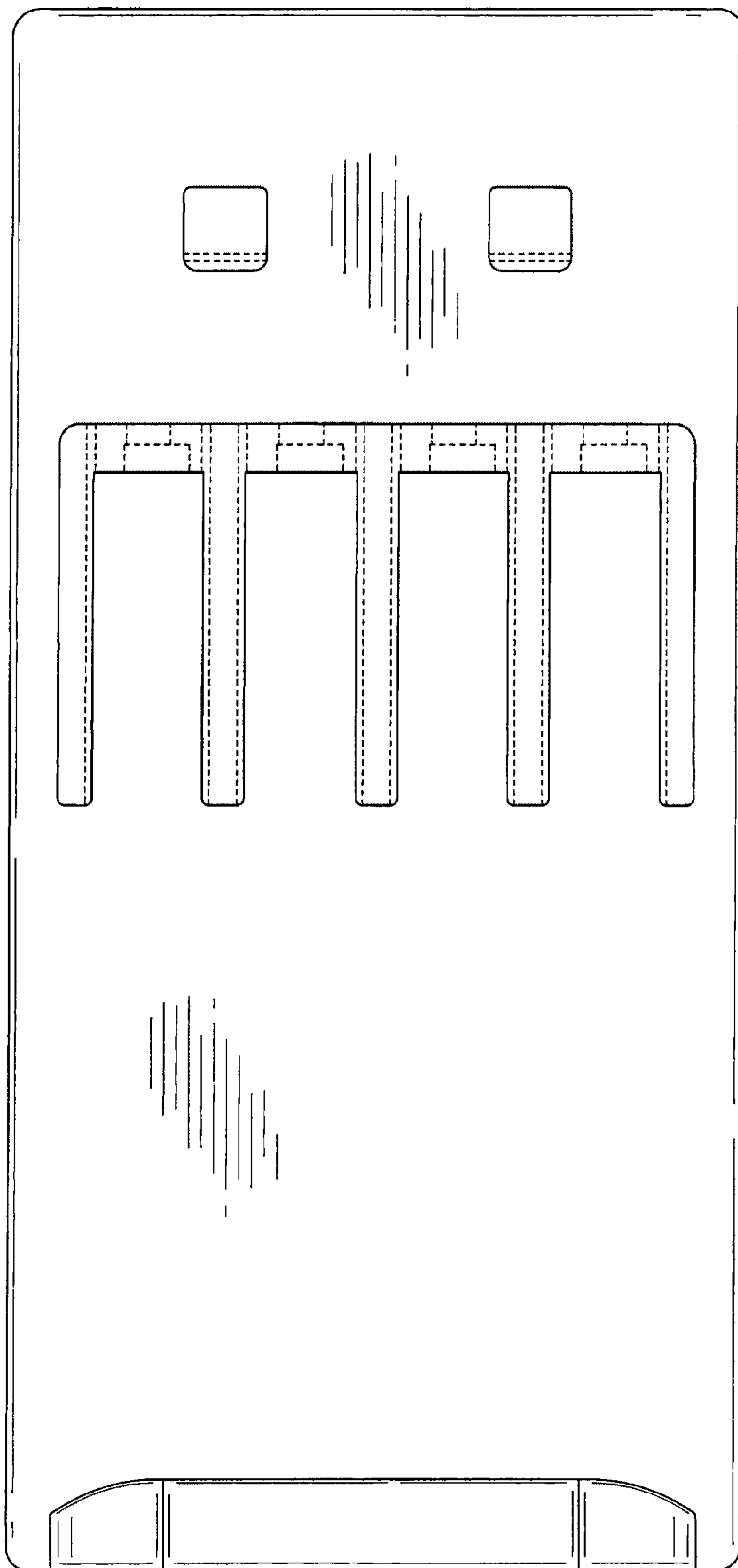


*FIG. 4*





*FIG. 5*



*FIG. 6*

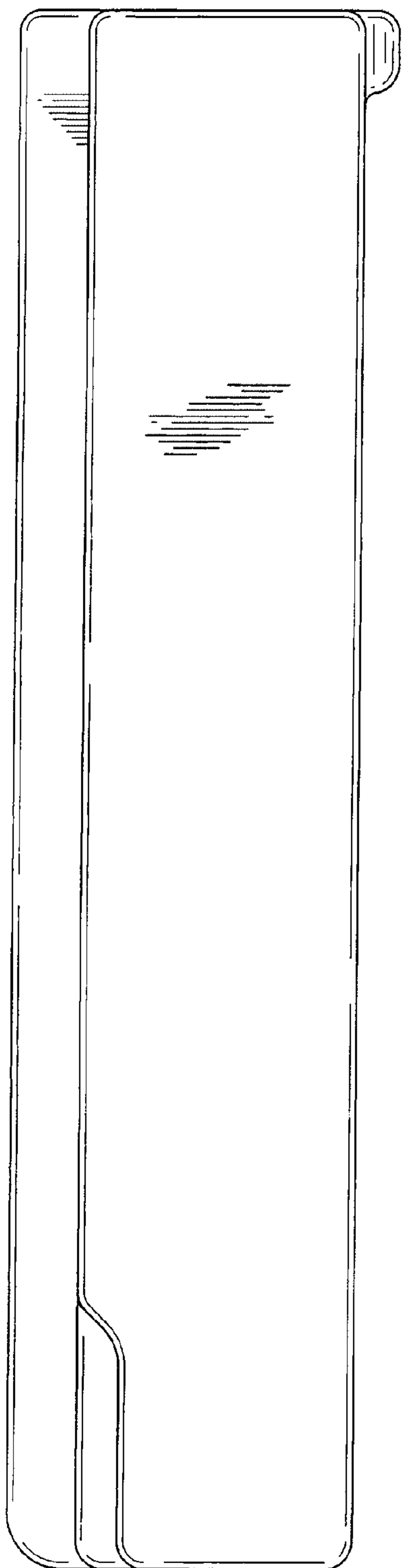


FIG. 7

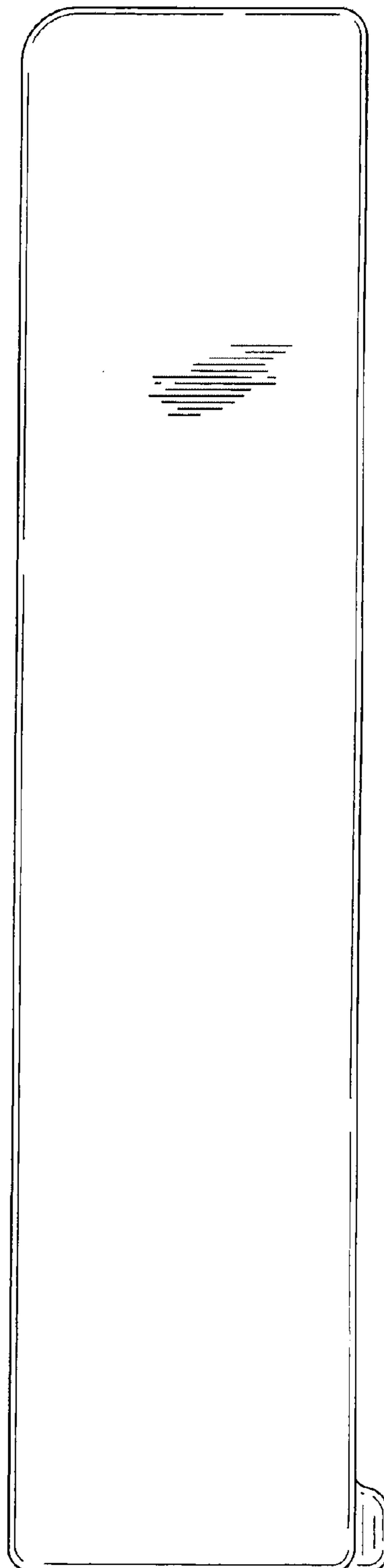
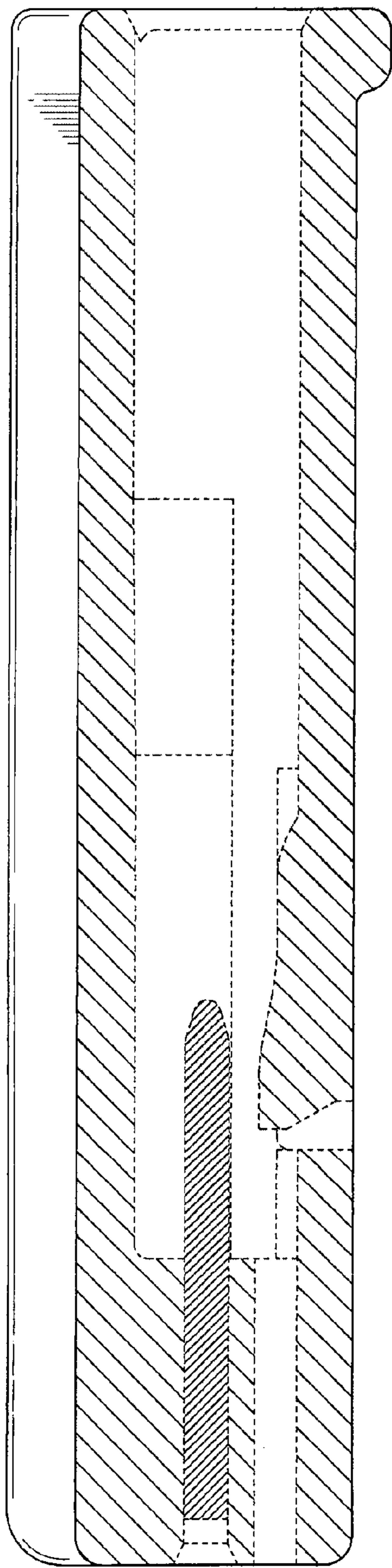
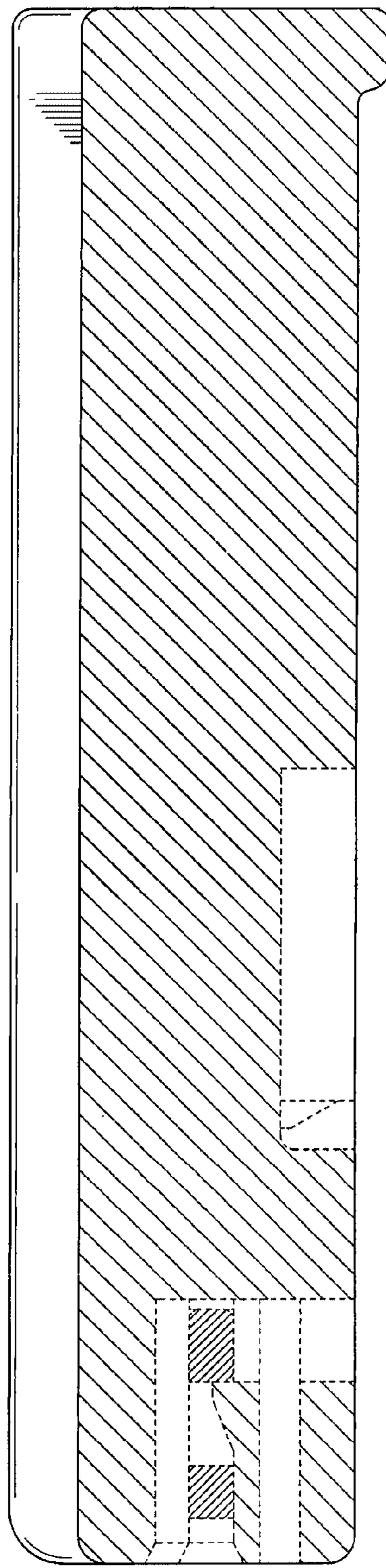


FIG. 8



*FIG. 9*



*FIG. 10*