



US00D647480S

(12) **United States Design Patent**
Ohmori

(10) **Patent No.:** **US D647,480 S**

(45) **Date of Patent:** **** Oct. 25, 2011**

(54) **CONNECTOR**

(75) Inventor: **Yasuhiro Ohmori, Yao (JP)**

(73) Assignee: **Hosiden Corporation, Osaka (JP)**

(**) Term: **14 Years**

(21) Appl. No.: **29/386,733**

(22) Filed: **Mar. 4, 2011**

Related U.S. Application Data

(62) Division of application No. 29/352,699, filed on Dec. 23, 2009, now Pat. No. Des. 638,797.

(30) **Foreign Application Priority Data**

Jun. 23, 2009 (JP) 2009-014197

Jun. 23, 2009 (JP) 2009-014198

Sep. 14, 2009 (JP) 2009-021219

(51) **LOC (9) Cl.** **13-03**

(52) **U.S. Cl.** **D13/133**

(58) **Field of Classification Search** D13/133,
D13/146, 147, 148, 149, 151, 152, 154, 156,
D13/177, 184, 199; 439/578, 625, 675, 668-669,
439/732, 844, 851-852, 865-867, 872, 877,
439/884; 174/50; 175/75 C; 385/53, 55,
385/92, 60, 87, 78

See application file for complete search history.

(56) **References Cited**

U.S. PATENT DOCUMENTS

D287,239	S	*	12/1986	Komatsu	D13/133
D312,613	S	*	12/1990	Shichida	D13/133
6,203,349	B1	*	3/2001	Nakazawa	439/319
D456,356	S	*	4/2002	Togashi	D13/133
D593,038	S	*	5/2009	Singer	D13/154
D596,135	S	*	7/2009	Sakamoto	D13/154
D596,136	S	*	7/2009	Sakamoto	D13/154
D605,596	S	*	12/2009	Sakamoto	D13/133
D606,022	S	*	12/2009	Sakamoto	D13/133
D638,797	S	*	5/2011	Ohmori	D13/133
D639,242	S	*	6/2011	Ohmori	D13/133
2010/0178789	A1	*	7/2010	Ohmori et al.	439/345

* cited by examiner

Primary Examiner — Thomas Johannes

(74) *Attorney, Agent, or Firm* — The Webb Law Firm

(57) **CLAIM**

The ornamental design for a connector, as shown and described.

DESCRIPTION

FIG. 1 is a front elevation view of a connector showing my new design;

FIG. 2 is a rear elevation view thereof;

FIG. 3 is a left side elevation view thereof;

FIG. 4 is a right side elevation view thereof;

FIG. 5 is a top plan view thereof;

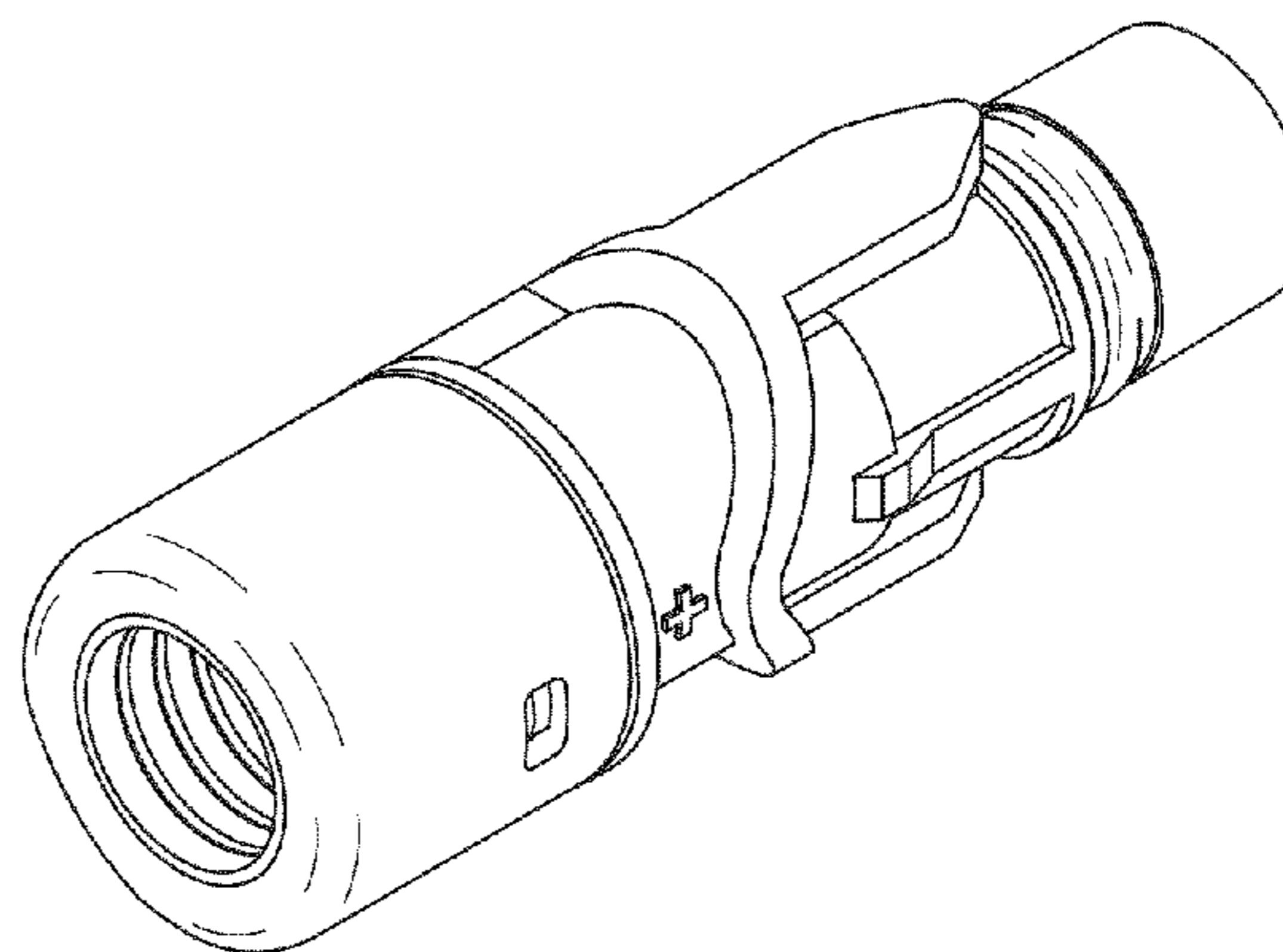
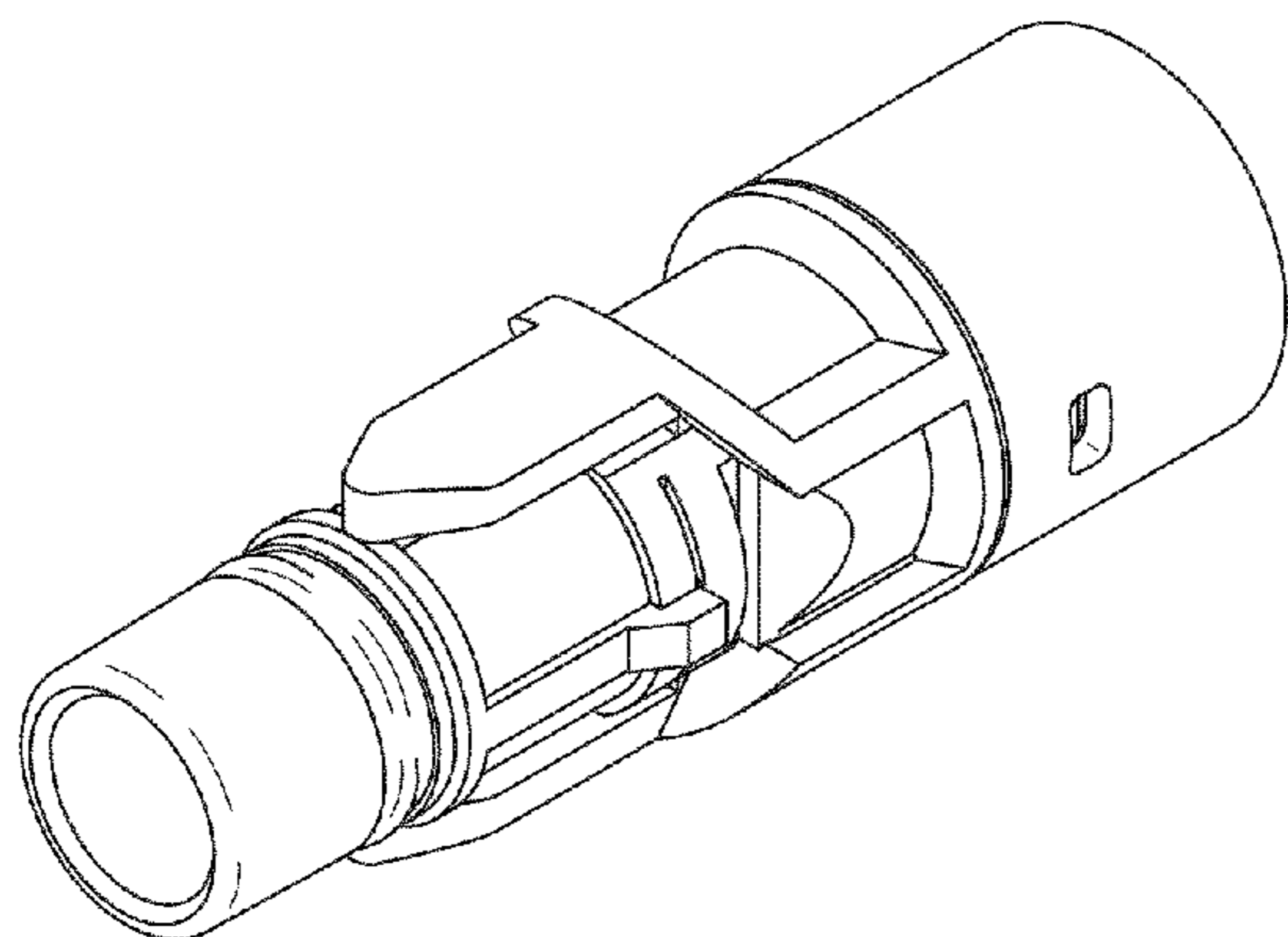
FIG. 6 is a bottom plan view thereof;

FIG. 7 is a front perspective view thereof; and,

FIG. 8 is a rear perspective view thereof.

The portions of the connector shown in broken lines form no part of the claimed design.

1 Claim, 8 Drawing Sheets



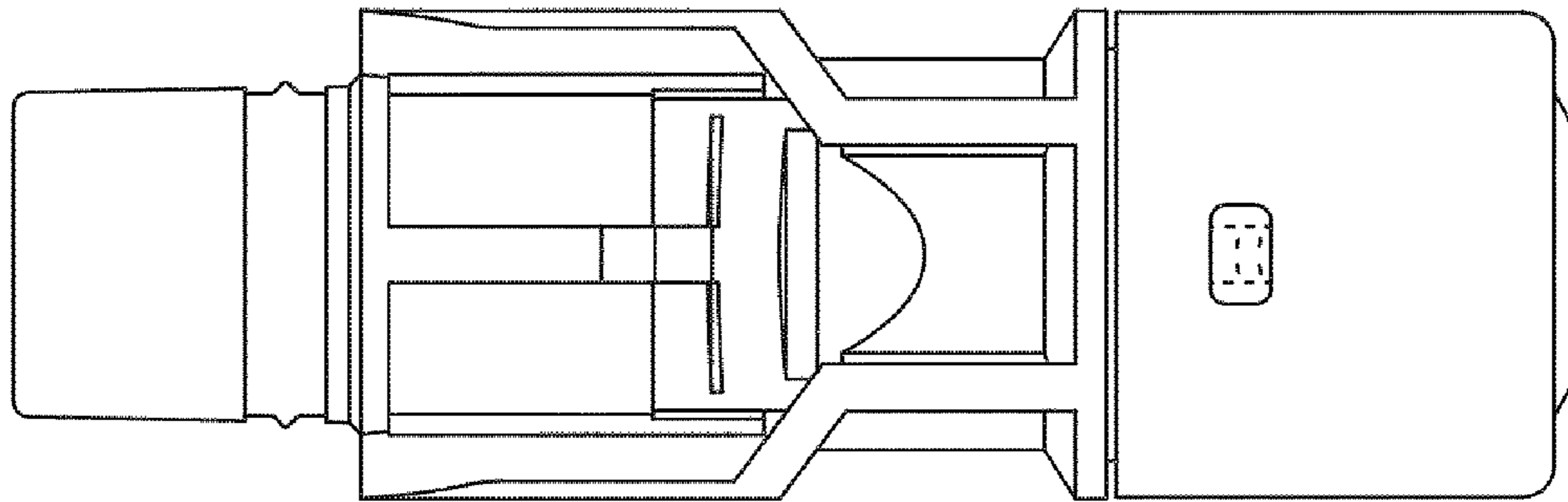


FIG. 1

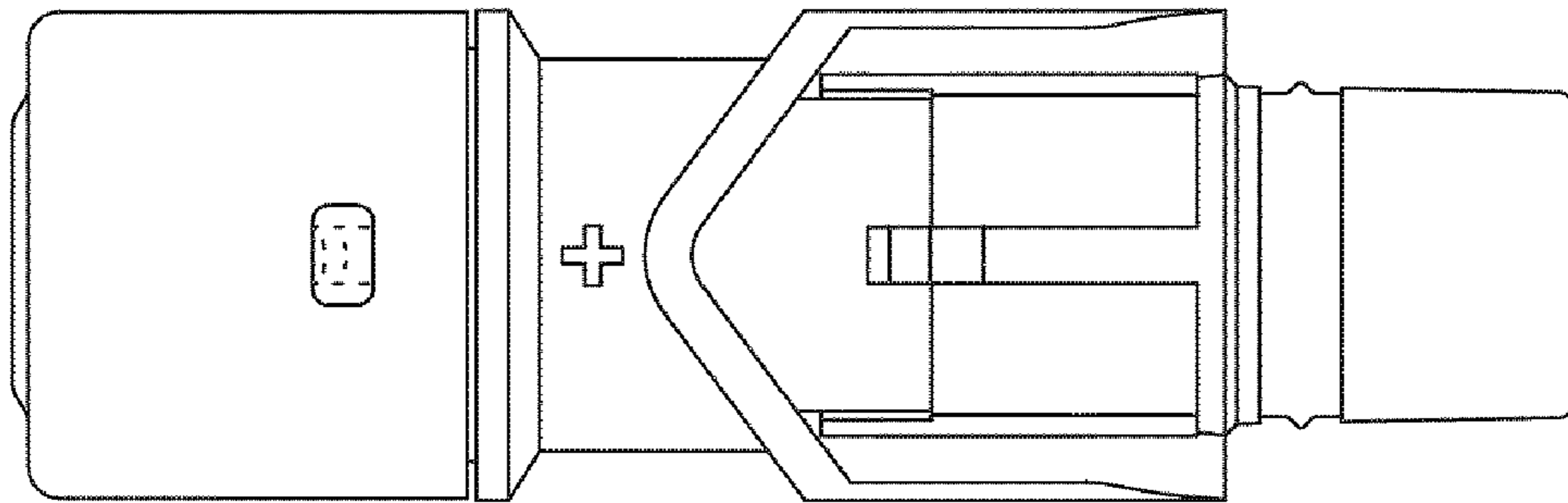


FIG. 2

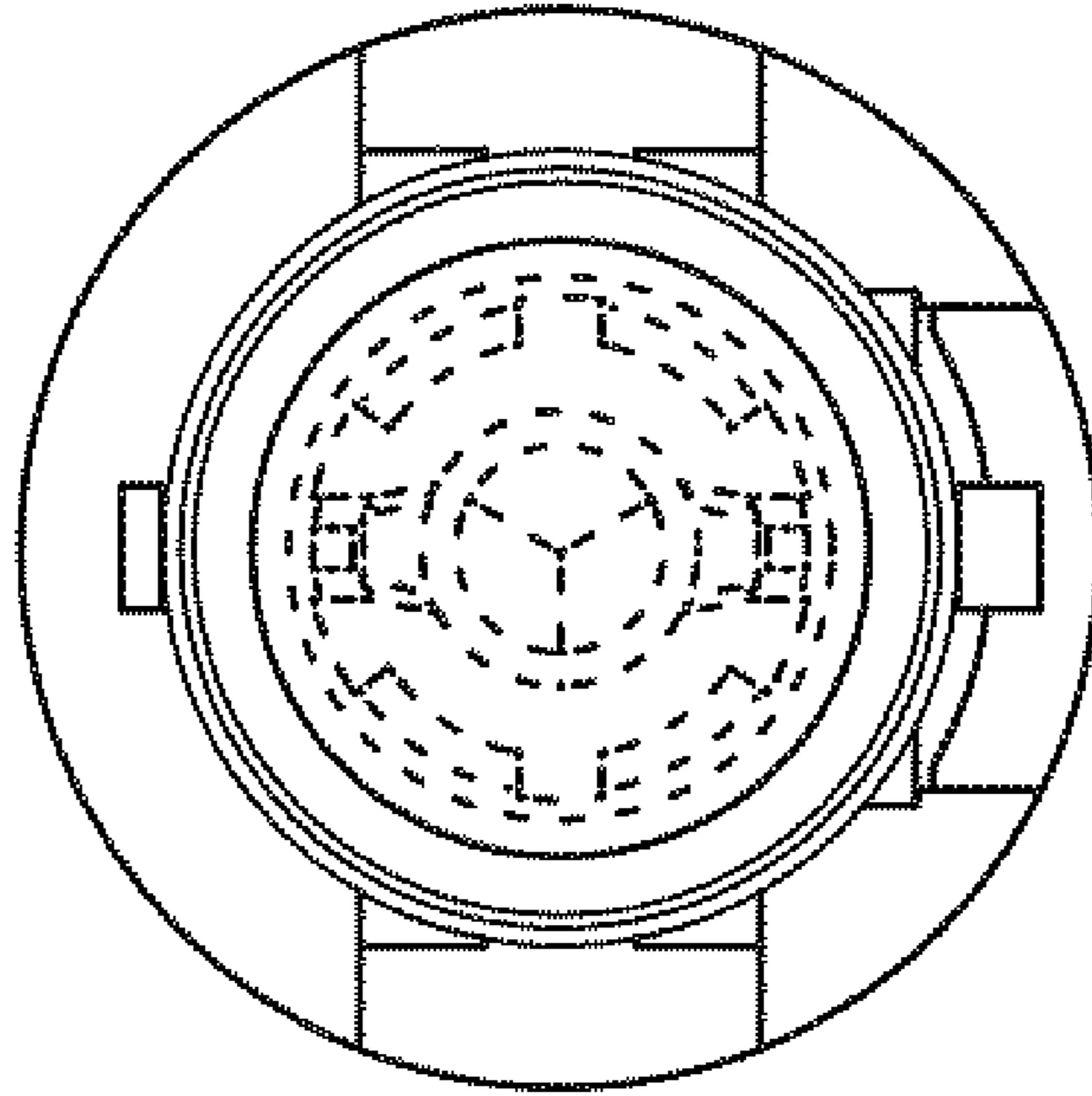


FIG. 3

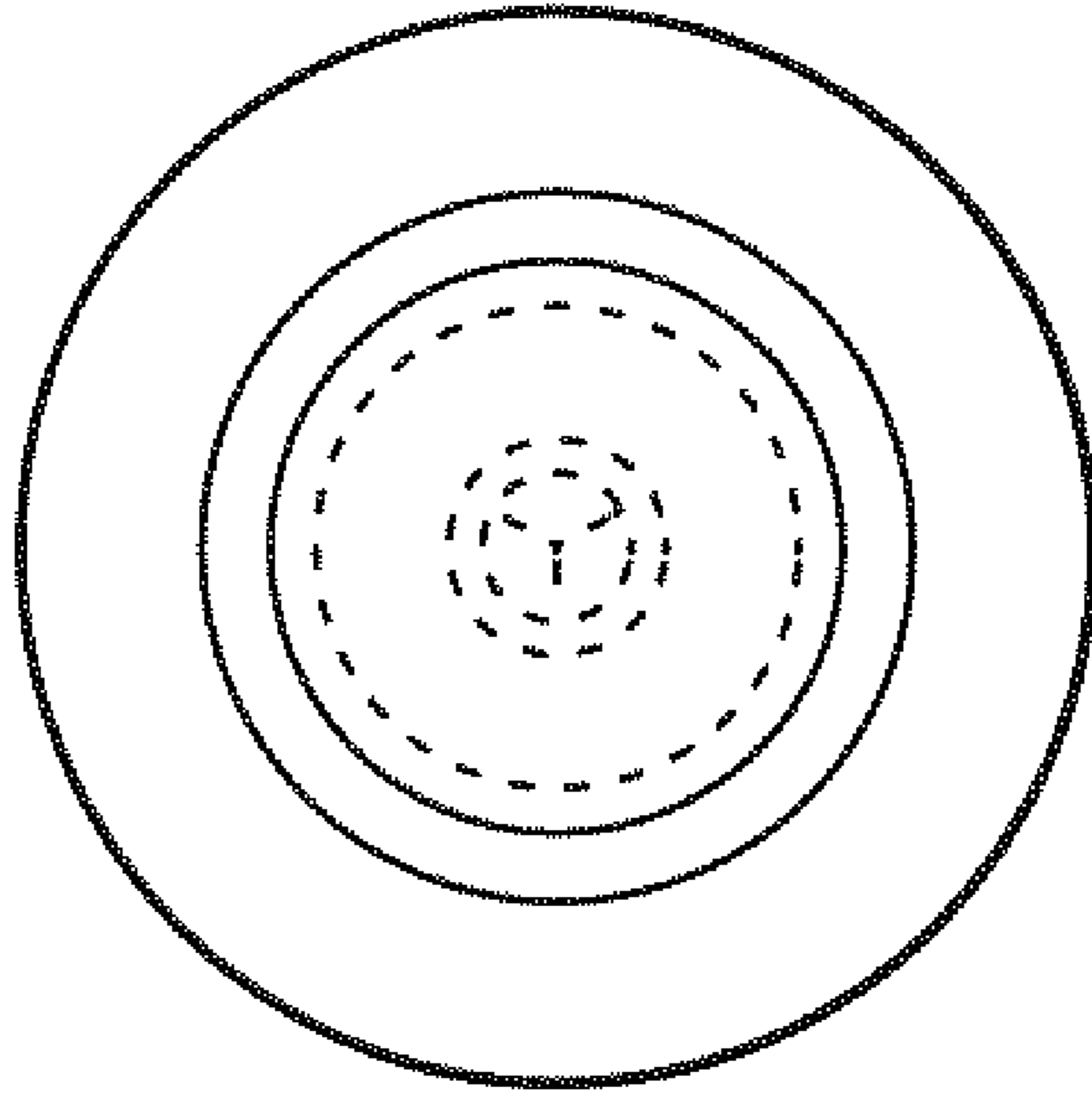


FIG. 4

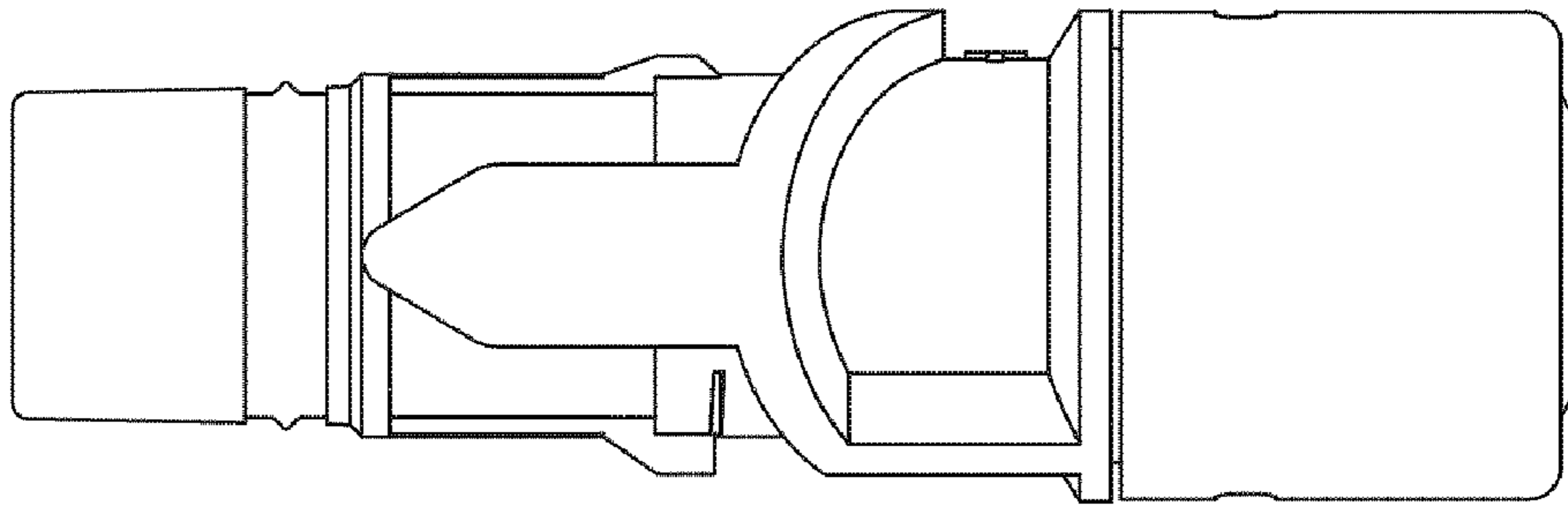


FIG. 5

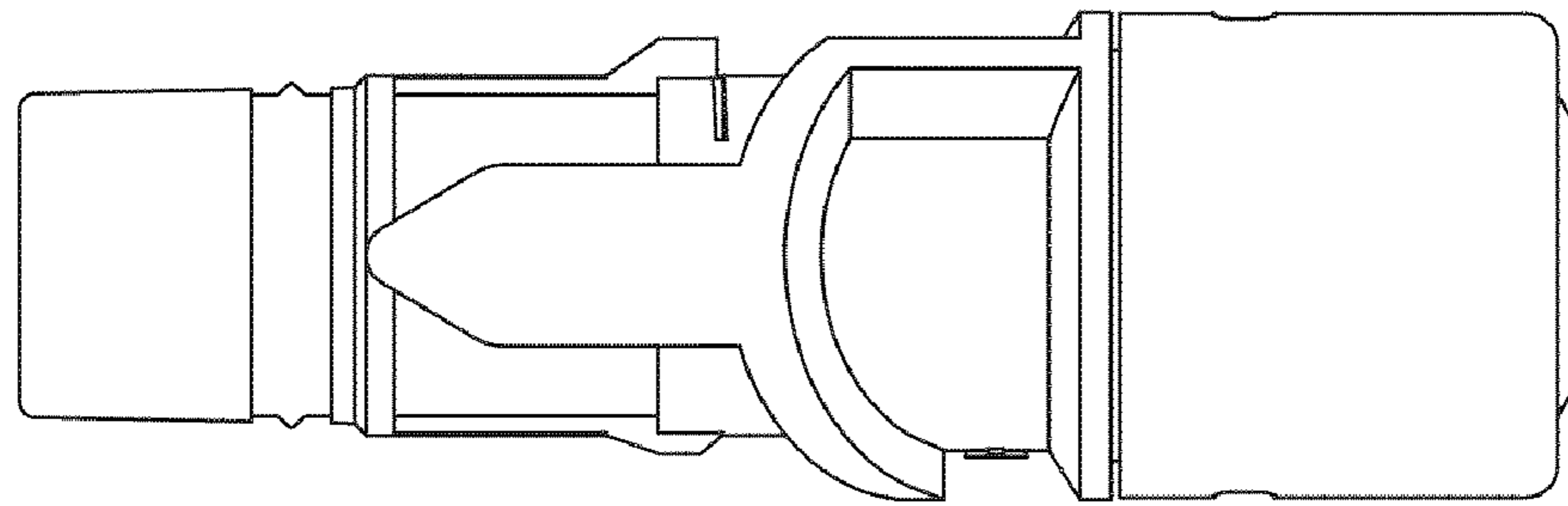


FIG. 6

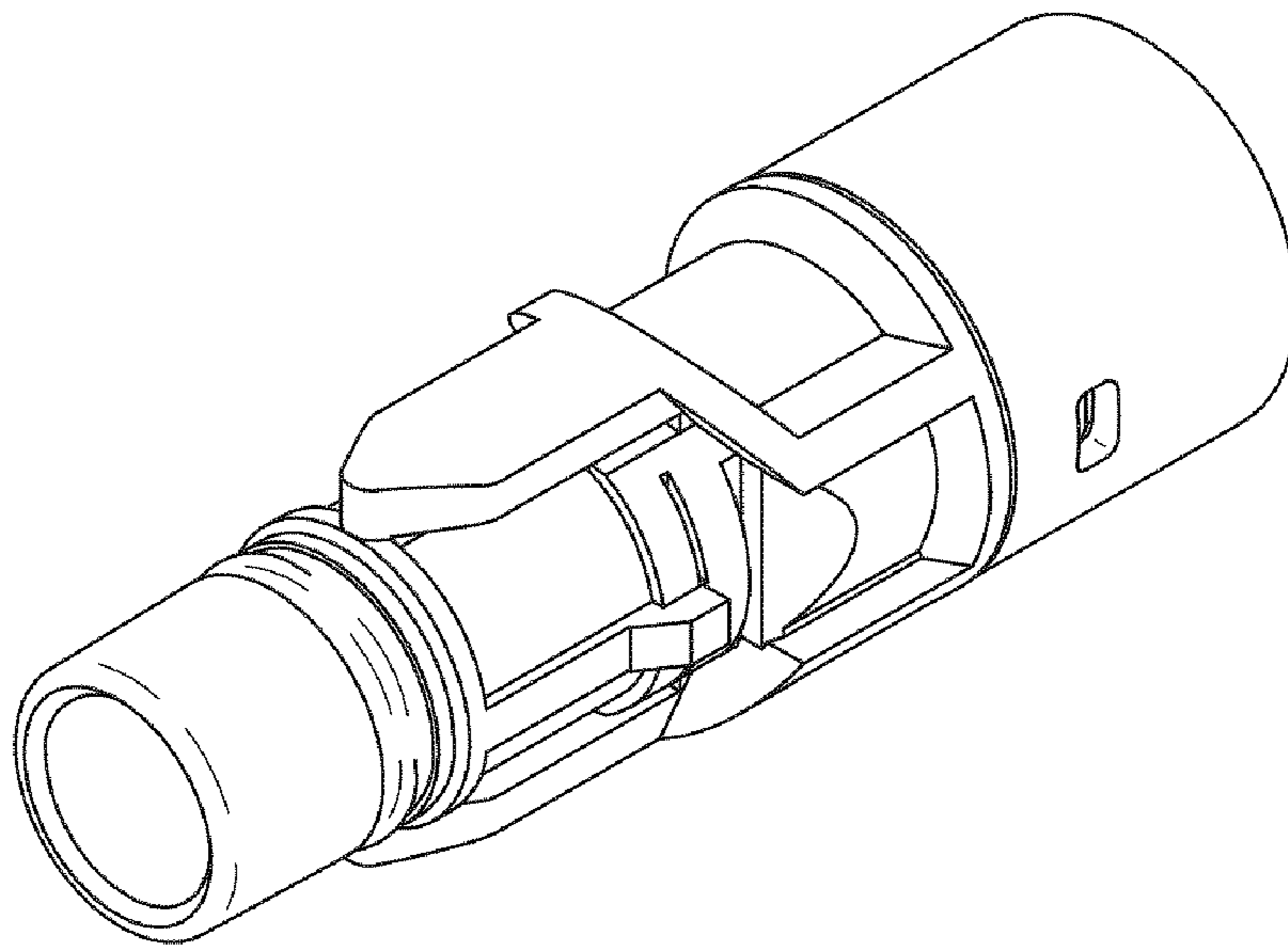


FIG. 7

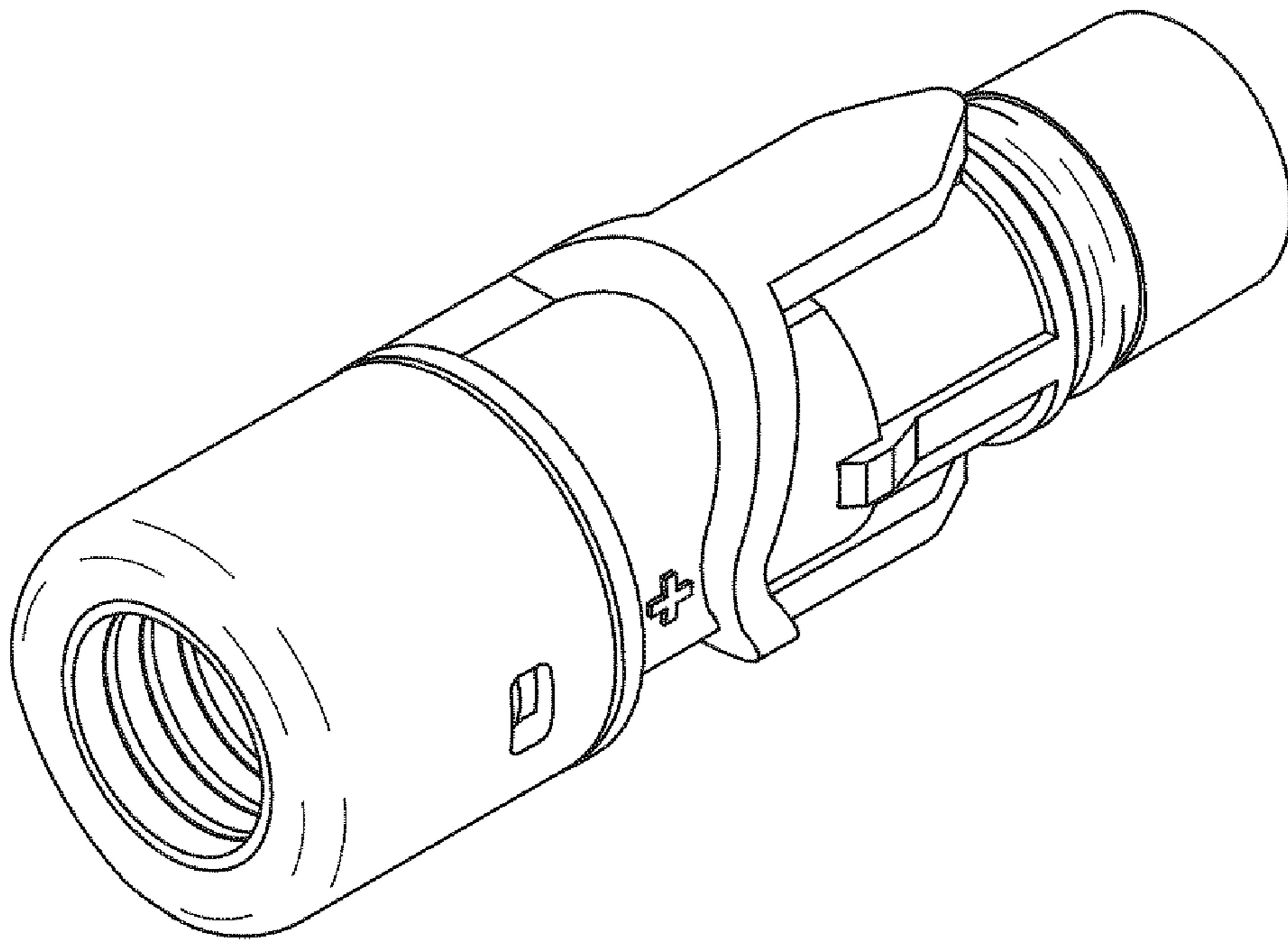


FIG. 8